



TECHBRITE™

Saving energy in the best possible LIGHT

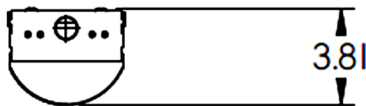
Quick Strip —LED

Applications

- Warehouses
- Industrial
- Garage
- Retail

Accessories

- Sensor
- Hanger Chain/Cable
- Pendant Mount

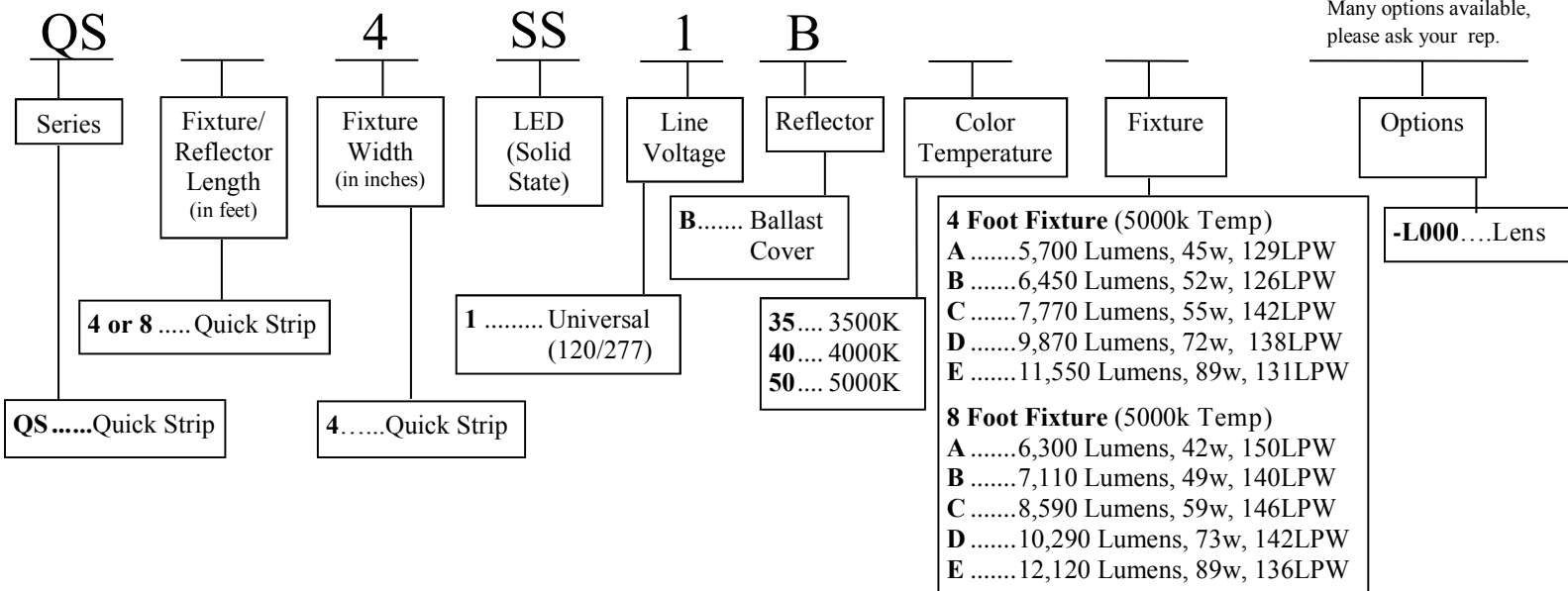
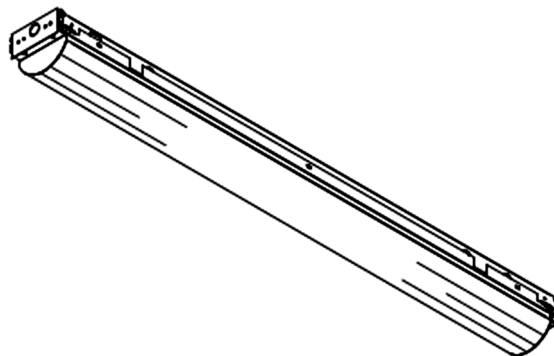


Features

- 0-10v Dimming Driver Standard
- Available with and without a lens
- Continuous Row Mounting Available
- Surface Mount Option
- 4 Foot and 8 Foot



Proudly made in the U.S.A



1000 Kieley Place., Cincinnati OH 45217

513-772-5070 office

513-252-0590 fax

www.techbrite.com

*Input wattage calculated using ballast manufacturer data in an open-air lamp application.

*Actual fixture wattage may vary based upon a variety of factors including: ballast factor; lamp wattage; input line voltage; ballast manufacturer; and/or environmental temperature.