



10K Mid Size Dump

Standard Features:

Sizes: 6' x 10', or 12'

Coupler: 2 5/16" A-Frame

Axles: (2) 5200# Electric Braking

GVW: 10K

Jack: 7K Drop Leg

Deck: 1 piece bottom

Tires: Radial 225/75R/15D

Tie Downs: Stake Pockets , floor D-rings

Lights: Sealed LED w/ rubber mount

Paint: High solids polyurethane

Curb weight: 10' 2700#

12' 2900#



1350 S Calapooia Street

Sutherlin, OR, 97479

541-459-6215

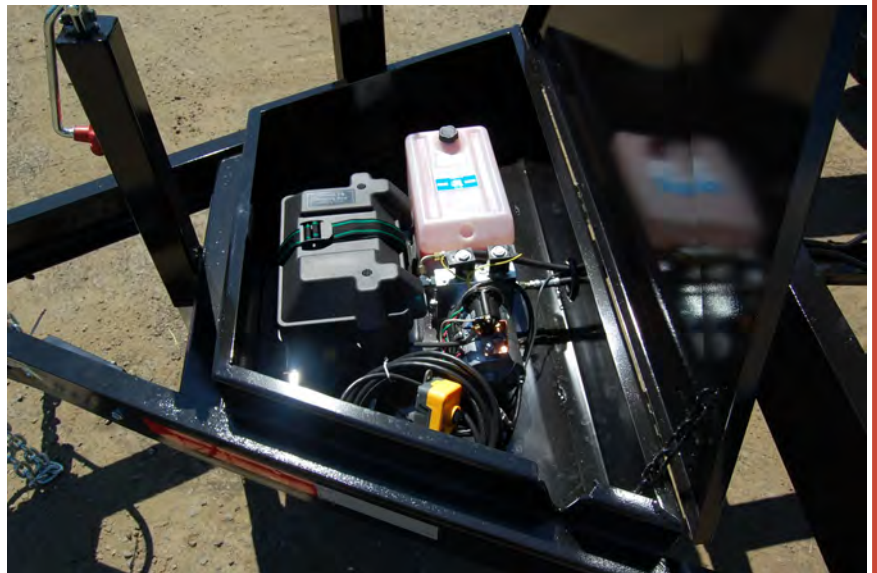
More on Back

Features continued:

- Lifetime structural warranty
- Scissor lift and DC hydraulic pump
- Fender steps
- 12ga Bottom
- 14ga sides
- Heavy duty 11 gauge Jeep style fenders
- Lockable tool box
- Emergency break-away system
- Safety chains
- Spare tire mount
- Floor D-rings
- Stow-away 5' ramps



-Above pictured with optional aluminum wheels



Optional (+\$)

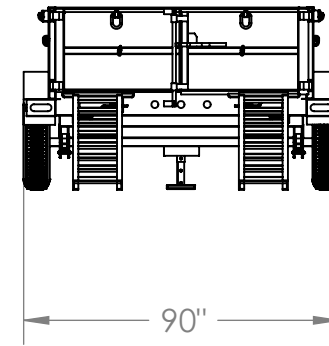
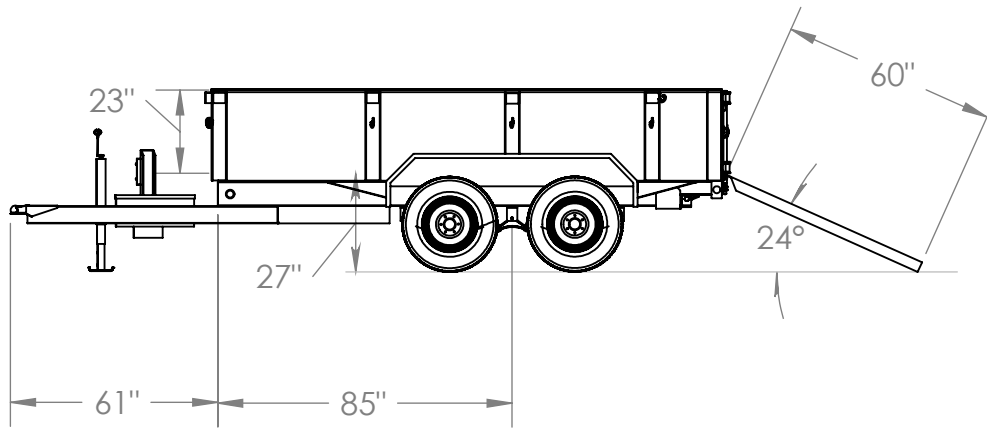
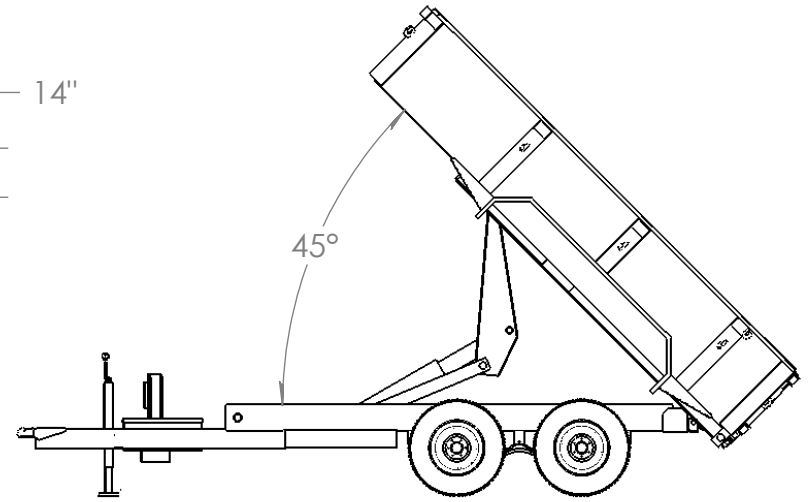
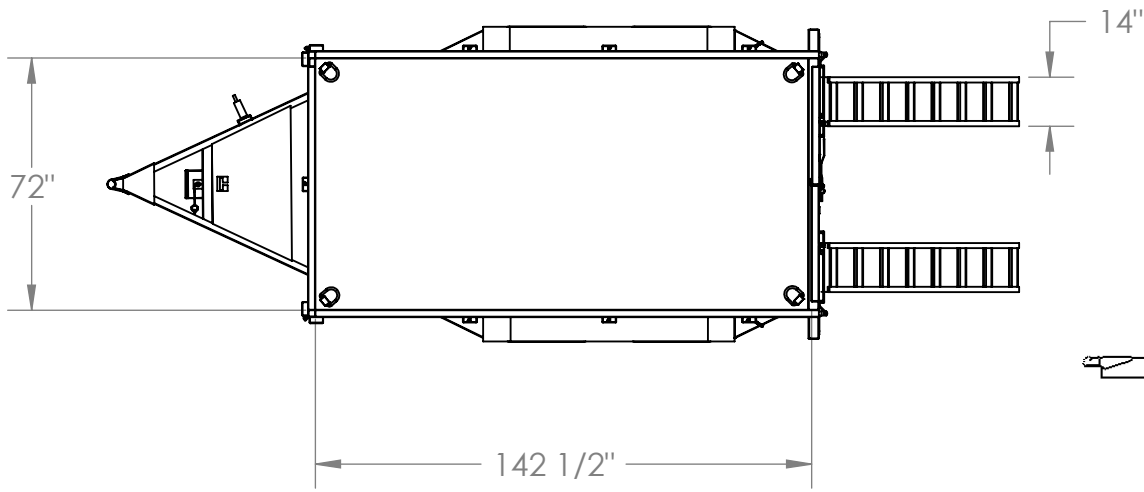
- Spreader gate
- Spare Tire
- Wireless Remote control
- Custom Color (see chart)



1350 S Calapooia Street

Sutherlin, OR, 97479

541-459-6215



	NAME	DATE
DRAWN	DON	Wednesday, September 05, 2012 10:37:33 AM
CHECKED		Wednesday, September 05, 2012 10:37:33 AM

PROPRIETARY AND CONFIDENTIAL
 THE INFORMATION CONTAINED IN THIS DRAWING IS THE SOLE PROPERTY OF GREAT NORTHERN TRAILER WORKS. ANY REPRODUCTION IN PART OR AS A WHOLE WITHOUT THE WRITTEN PERMISSION OF GREAT NORTHERN TRAILER WORKS IS PROHIBITED.

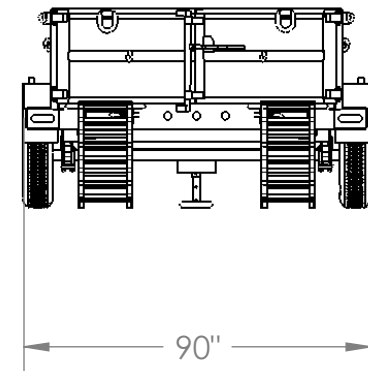
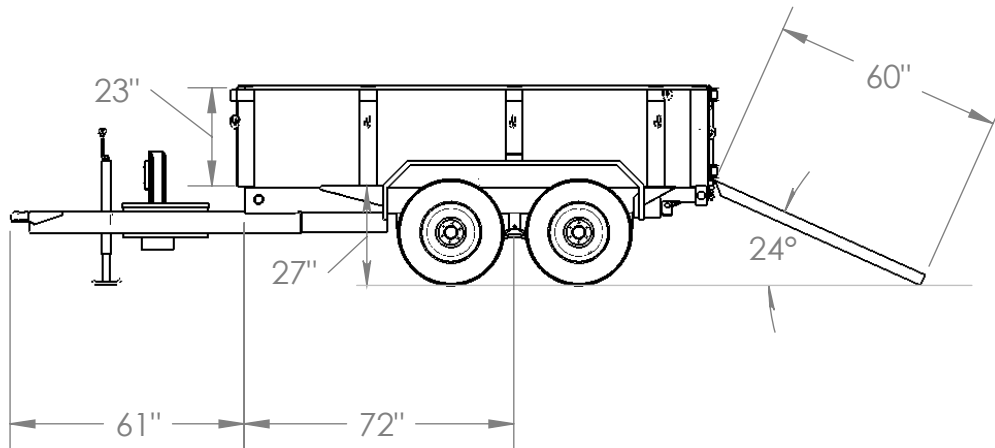
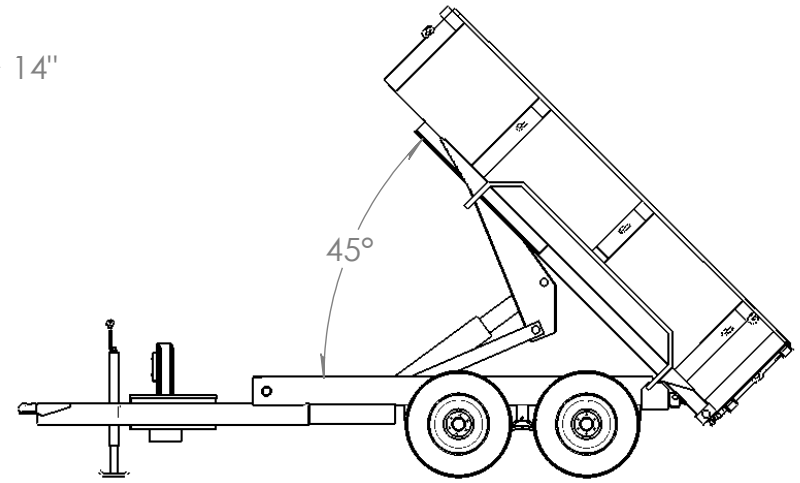
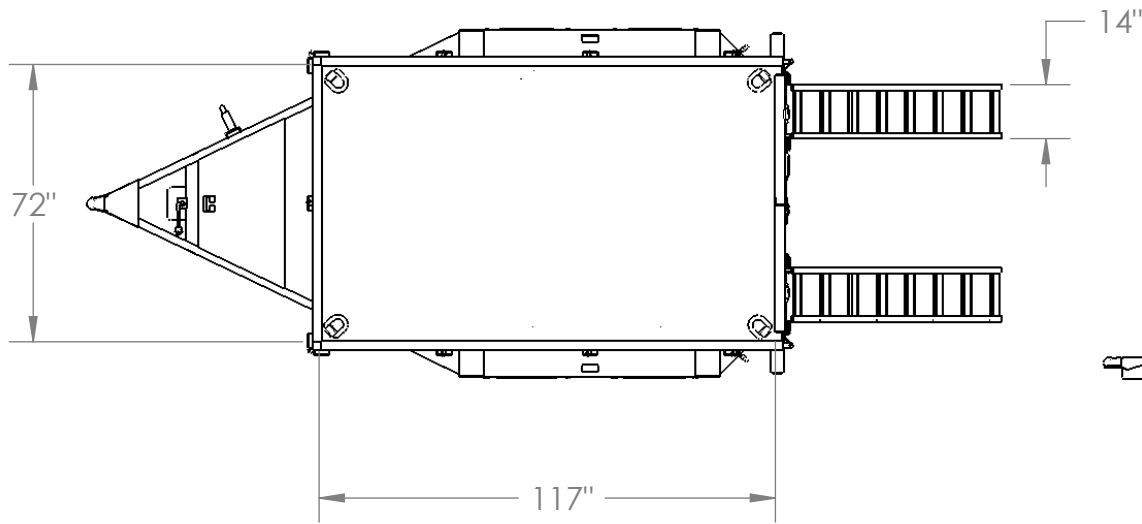
UNLESS OTHERWISE SPECIFIED:

DIMENSIONS ARE IN INCHES
 TOLERANCES:
 FRACTIONAL ± 1/16



6'x12' 10k Mid Size Dump

SIZE	TARE WEIGHT:	REV
	2900 LBS	



	NAME	DATE
DRAWN	DON	Wednesday, September 05, 2012 10:23:27 AM
CHECKED		Wednesday, September 05, 2012 10:23:27 AM

PROPRIETARY AND CONFIDENTIAL
 THE INFORMATION CONTAINED IN THIS DRAWING IS THE SOLE PROPERTY OF GREAT NORTHERN TRAILER WORKS. ANY REPRODUCTION IN PART OR AS A WHOLE WITHOUT THE WRITTEN PERMISSION OF GREAT NORTHERN TRAILER WORKS IS PROHIBITED.

UNLESS OTHERWISE SPECIFIED:

DIMENSIONS ARE IN INCHES
 TOLERANCES:
 FRACTIONAL ± 1/16



6'x10' 10k Mid Size Dump

SIZE	TARE WEIGHT:	REV
	2700 LBS	