

BBX7 KIT shown assembled
Colors and components may vary

The BBX7 is a simple low cost adapter that allows you to prototype preamplifier tube circuits on an electronics bread board

CAUTION: NEVER EXCEED BREAD BOARD BREAKDOWN VOLTAGE

DESIGNED FOR 12AX7 DUAL TRIODE TUBES

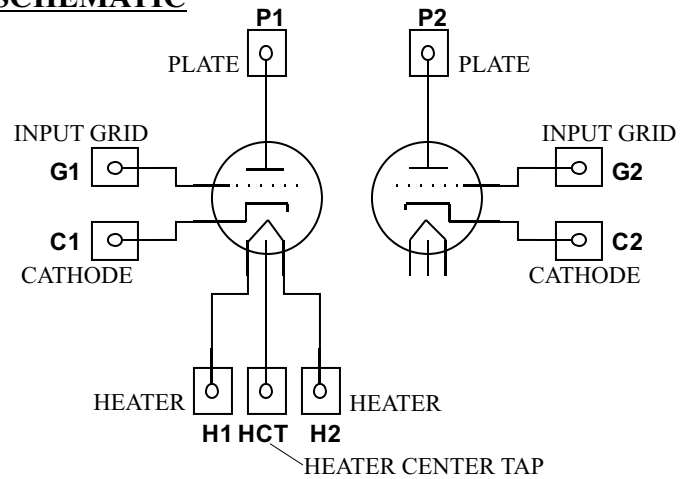
FEATURES

- EASIER BREAD BOARD WIRING
- PINS MARKED FOR EASY IDENTIFICATION
- QUALITY FR-4 LAMINATE
- LOW LEAKAGE CERAMIC SOCKET (supplied with kit only)
- EASY TO ASSEMBLE AND SOLDER
- WORKS WITH 12AX7, 12AU7, 12AT7, 12AY7 OR ANY 12AX7 PIN COMPATIBLE TUBE

APPLICATIONS

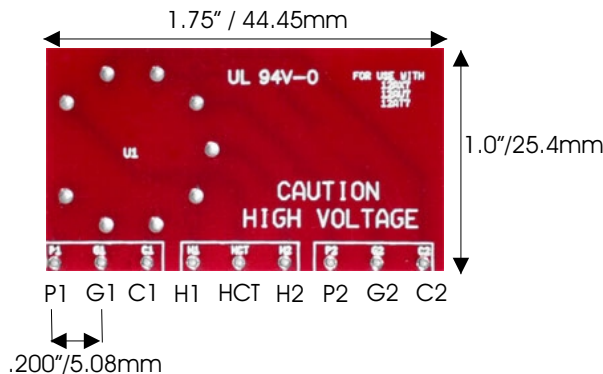
- HI-FI PREAMPLIFIERS
- GUITAR PREAMPLIFIERS
- PHASE SPLITTERS

SCHEMATIC



**- CAUTION -
LETHAL VOLTAGE LEVELS
RISK OF ELECTRIC SHOCK
HIGH VOLTAGE DANGER**

PCB DIMENSIONS



PIN - OUT

- 9 - HCT - HEATER CENTER TAP
- 4 - H1 - HEATER 1
- 5 - H2 - HEATER 2
- 1 - P1 - PLATE SECTION 1
- 2 - G1 - GRID SECTION 1
- 3 - C1 - CATHODE SECTION 1
- 6 - P2 - PLATE SECTION 2
- 7 - G2 - GRID SECTION 2
- 8 - C2 - CATHODE SECTION 2

WORKS WITH

- BB84 - EL84 Pentode adapter**
- BBNOVAL - 9 Pin Noval adapter**
- BBOCTAL - 8 Pin OCTAL adapter**

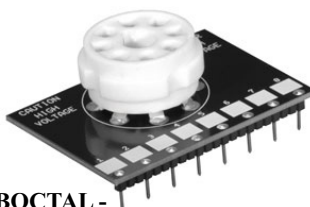
APPLICATION NOTES

For application notes and design examples please visit our website

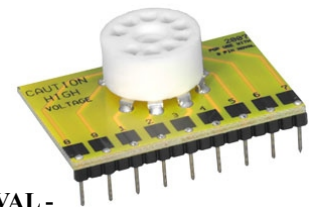
Also Available



**BB84 -
Power amp circuits with EL84**



**BBOCTAL -
8 Pin Octal circuits like 6SN7, 6L6**



**BBNOVAL -
9 Pin Noval Circuits like EF86, EF806**

EXTREME CAUTION MUST BE EXERCISED WHEN WORKING WITH HIGH VOLTAGE