



BB84 KIT shown assembled
Colors and components may vary

The BB84 is a simple low cost adapter that allows you to prototype EL84 power amplifier circuits on an electronics breadboard

CAUTION: NEVER EXCEED BREAD BOARD BREAKDOWN VOLTAGE

DESIGNED FOR EL84 POWER TUBES

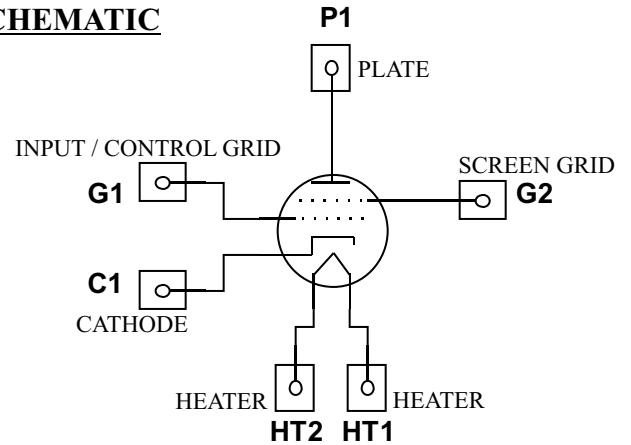
FEATURES

- EASIER BREAD BOARD WIRING
- PINS MARKED FOR EASY IDENTIFICATION
- QUALITY FR-4 LAMINATE
- LOW LEAKAGE CERAMIC SOCKET (supplied with kit only)
- EASY TO ASSEMBLE AND SOLDER

APPLICATIONS

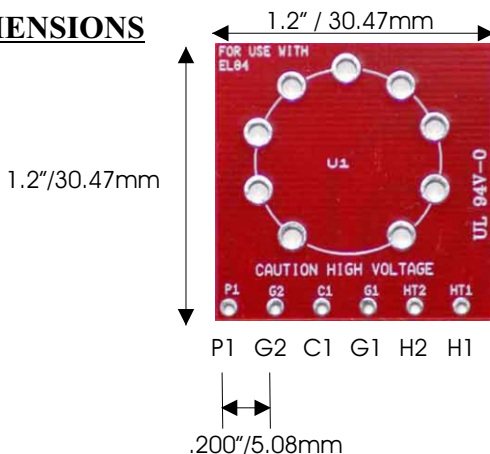
- CLASS A SINGLE ENDED EL84 POWER AMPLIFIERS
- PUSH PULL EL84 POWER AMPLIFIERS
- EL84 TUBE LINE DRIVERS

SCHEMATIC



- CAUTION -
LETHAL VOLTAGE LEVELS
RISK OF ELECTRIC SHOCK
HIGH VOLTAGE DANGER

PCB DIMENSIONS



PIN - OUT

- Heater HT1 - 4
- Heater HT2 - 5
- Plate P1 - 7
- Input Grid G1 - 2
- Screen Grid G2 - 9
- Cathode C1 - 3

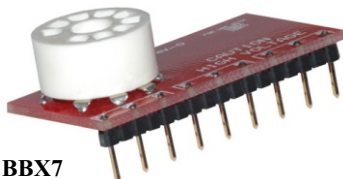
Note: Suppressor grid internally connected to cathode

WORKS WITH

- BBX7 - 12AX7 Preamp tube adapter**
- BBNOVAL - 9 Pin Noval tube adapter**
- BBOCTAL - 8 Pin OCTAL tube adapter**

For application notes and example designs please visit our website

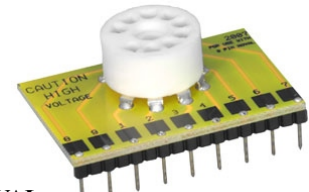
Also Available



BBX7
Preamp circuits like 12AX7, 12AU7



BBOCTAL -
8 Pin Octal circuits like 6SN7, 6L6



BBNOVAL -
9 Pin Noval Circuits like EF86, EF806

EXTREME CAUTION MUST BE EXERCISED WHEN WORKING WITH HIGH VOLTAGE

NOTES

Trenton Blizzard reserves the right to make changes without further notice to any products herein. Trenton Blizzard makes no warranty, representation or guarantee regarding the suitability of its products for any particular purpose, nor does Trenton Blizzard assume any liability arising out of the application or use of any product or circuit, and specifically disclaims any and all liability, including without limitation special, consequential or incidental damages. "Typical" parameters which may be provided in Trenton Blizzard data sheets and/or specifications can and do vary in different applications and actual performance may vary over time.

All operating parameters, including "Typical" must be validated for each customer application by customer's technical experts. Trenton Blizzard does not convey any license under its patent rights nor the rights of others. Trenton Blizzard products are not designed, intended, or authorized for use as components in systems intended for surgical implant into the body, or other applications intended to support or sustain life, or for any other application in which the failure of the Trenton Blizzard product could create a situation where personal injury or death may occur. Should buyer purchase or use Trenton Blizzard products for any such unintended or unauthorized application, Buyer shall indemnify and hold Trenton Blizzard, employees, subsidiaries, affiliates, and distributors harmless against all claims, costs, damages, and expenses, and reasonable attorney fees arising out of, directly or indirectly, any claim of personal injury or death associated with such unintended or unauthorized use, even if such claim alleges that Trenton Blizzard was negligent regarding the design or manufacture of the part.

This literature is subject to all applicable copyright laws and is not for resale in any manner.