



INNOVATE | INTEGRATE | ILLUMINATE



2017 | **LANDSCAPE & ARCHITECTURAL**
LED LIGHTING
PRODUCT CATALOG





THE ILLUMICARE ADVANTAGE

Illumicare Group Limited is a leading manufacturer and supplier of landscape LED lighting products. Created as a response to the increased demand for LED lighting solutions, Illumicare is dedicated to delivering market-driven products using cutting-edge LED technologies.

Research & Development

Our in-house R&D team believes in continuous innovation and implements the latest in LED technologies. We develop with environmental stewardship in mind and design our products to maximize energy savings, reduce maintenance costs, enhance safety measures, and reduce light pollution. Illumicare aims to deliver innovative LED lighting systems with advanced engineering and artistic appeal.

Quality

Our products go through rigorous testing to surpass industry standards and withstand harsh outdoor environments. We proudly stand behind our products and confidently offer warranties against workmanship and manufacturing defects.

Shipping Commitments

With two distribution centers ready to fill your order, Illumicare offers same-day shipping for in-stock orders placed before 11:00 AM (EST) shipping within the US & Canada.

Support

We're committed to both our products and our customers. With over 30 years of combined experience, our Lighting Professionals can offer you expert advice and help you with any questions or concerns.

Toll Free: 1-866-277-2934

Fax: 1-800-559-1806

www.illumicaregroup.com

sales@illumicaregroup.com



[@illumicaregroup](https://twitter.com/illumicaregroup)



facebook.com/illumicaregroup



CONTENTS

Landscape Lighting Techniques	4
LED Lamps	6
Miniature LED Lamps	8
Solid Brass Outdoor Fixtures	10
Precision Engineered Luminaires	16
Symphony Hardscape Luminaires	22
Contrast Fixtures	26
Transformers	28
Zone Control System	29
Accessories	30
Warranty	31



LANDSCAPE LIGHTING TECHNIQUES

A GUIDE TO UNDERSTANDING BASIC LIGHTING EFFECTS

Outdoor lighting can dramatically transform landscapes by providing safety, security, accent, and character. Just a few well-placed lights can have an enormous impact.

However, poorly designed lighting systems can result in glare and over illumination leading to wasted energy, money, and resources.

Illumicare fixtures are available in different finish options, are easily adjustable, and have glare-control properties. We also offer LED lamps in four color temperatures and varying beamspreads to help you increase your lighting palette.

Here are some of our favorite lighting effects to help you create beautiful outdoor lighting systems.

SHADOWING



Highlight an interesting shape or structure by projecting its shadow onto a vertical surface.

UNDERWATER LIGHTING



Amplify a water feature by highlighting it underwater. Underwater lighting can create interesting shadows, reflections, and atmospheric effects.

ACCENT LIGHTING



Illuminate a landscape feature by specifically angling an upright or downlight to draw special attention to it.

WALL WASHING



Create a soft glow over a wall or vertical surface by bathing it with light, resulting in ambient lighting for the surrounding area.

SILHOUETTING & BACKLIGHTING



Present a dark outline of an object by placing a light source behind the feature, aimed at a vertical surface behind it.

GRAZING



Emphasize a textured surface by aiming a paralleled light source, casting delicate shadows.

STEP LIGHTING



Accent steps using recessed lighting or coping lights. Step lighting provides safety and a warm atmosphere.

DOWNLIGHTING & MOONLIGHTING



Mount fixtures high in a tree, aimed downward to mimic the effect of moonlight.

UPLIGHTING



Highlight an architectural design by illuminating it from below. Aim the light source toward a feature to create a bold focal point.

PATH & AREA LIGHTING



Place fixtures along the borders of walkways, driveways, and patios to create low-level illumination and nighttime visibility.

LED LAMPS

LED lamps use ~85 percent less energy than traditional lamps and last roughly 15 times longer, using less energy for the same light output.

Illumicare's fully-stepped LED IC driver and unique thermal engineering ensures the lamps operate at temperatures below the LED chips' heat specifications, even when sealed inside weatherproof fixtures. By removing the electrolytic capacitor and completely encapsulating the IC chip in thermal epoxy, we've designed outdoor-rated LED lamps that produce up to 40% less heat in airtight fixtures and more than doubled the chip's life expectancy.

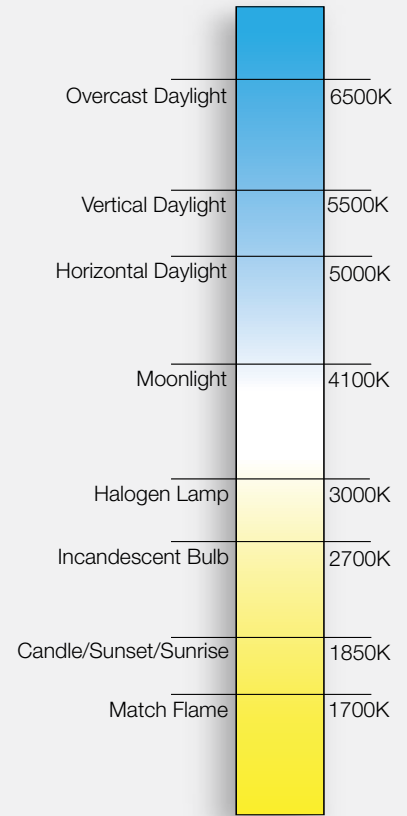
- Conventional lamp shapes
- Fully-stepped IC driver
- Completely encapsulated driver
- Unique thermal control
- Consistent lumen output
- Over-current protection
- Reversed polarity protection
- Full-solid state components

LED Lamp Performance Data

Input Voltage	12 V AC or DC (9 - 15V AC/DC)
Operating Temperature	35 - 40°C (95 - 104°F)
Operating Environment	-20 to 40°C (-4 - 104°F)
Lamp Surface Temperature	Less than 35°C (95°F)
Lumen Maintenance (L70)	40,000 Hours
Color Rendering Index (CRI)	79-85%
Product Standards	CE & ROHS



Color Temperature Chart



LED MR16 SINGLE LENS WITH REPLACEABLE OPTICS

NEW

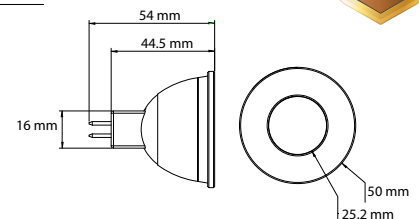


Illumicare's newest MR16 single lens lamp includes four replaceable optics. Easily replace the collimator by unscrewing the face of the lamp to install your choice of 15, 30, 45 or 60-degree collimators.

Part Number	Description
LED MR16 5W 2700K	Very Warm White 5W MR16 Lamp
LED MR16 5W 3000K	Warm White 5W MR16 Lamp
LED MR16 5W 4000K	Neutral White 5W MR16 Lamp
LED MR16 7W 2700K	Very Warm White 7W MR16 Lamp
LED MR16 7W 3000K	Warm White 7W MR16 Lamp
LED MR16 7W 4000K	Neutral White 7W MR16 Lamp

Specifications

- 220-250 Lumens (5W Lamp)
- 450-510 Lumens (7W Lamp)
- GU5.3/GX5.3 Bipin Base
- 1 Cree LED chip



LED MR11 WITH REPLACEABLE OPTICS



The LED MR11 WW 1545 features replaceable optics for three different beam spreads. Simply use the supplied tool to remove the face of the lamp and replace the installed optic with your choice of 15, 30, or 45 degrees.

Part Number	Specifications
LED MR11 WW 1545	<ul style="list-style-type: none"> • 4W output • 3000K warm white • Factory-installed 30° NFL optic, and 15° & 45° optics w/install tool • 220-250 lumens • GU10/GZ10 Base • 1 Cree LED chip

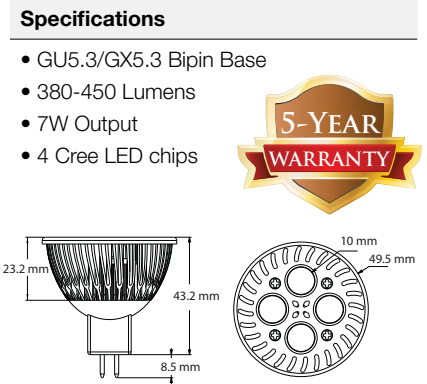


7W 2X LED MR16



Using CREE XPE chips, our 2X LED MR16 uses only 7W of power while producing up to 450 lumens.

Part Number	Description
LED 2X-WW-15-SP	2X MR16 3000K 15° Spot
LED 2X-WW-30-NFL	2X MR16 3000K 30° Narrow Flood
LED 2X-WW-45-FL	2X MR16 3000K 45° Flood
LED 2X-NW-15-SP	2X MR16 4000K 15° Spot
LED 2X-NW-30-NFL	2X MR16 4000K 30° Narrow Flood
LED 2X-NW-45-FL	2X MR16 4000K 45° Flood

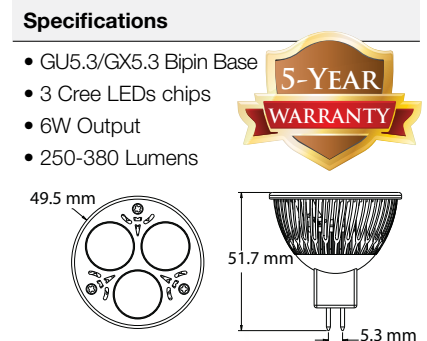


6W LED MR16



Our flagship 6W LED MR16 is offered in three beamspreads and four color temperatures. Our halogen and incandescent-matched lamp color temperatures give you the same lighting effect as traditional bulbs while consuming up to 80% less energy.

Part Number	Description
LED 6W-WWW-15-SP	6W MR16 2700K 15° Spot
LED 6W-WWW-30-NFL	6W MR16 2700K 30° Narrow Flood
LED 6W-WW-30-NFL	6W MR16 3000K 30° Narrow Flood
LED 6W-NW-15-SP	6W MR16 4000K 15° Spot
LED 6W-NW-45-FL	6W MR16 4000K 45° Flood
LED 6W-CW-15-SP	6W MR16 5500K 15° Spot
LED 6W-CW-45-FL	6W MR16 5500K 45° Flood



MINIATURE LED LAMPS

Illumicare's miniature LED lamps provide seamless replacement for incandescent or halogen miniature bulbs.

- Color Temperatures: 2700K & 3000K
- 1.5-3 Watt Output
- 15-18 Watt Equivalent
- Samsung 5630 LED Chips



Base & Lamp Types

- S8 Wedge - 3155 & 3156
- G5.3 BiPin - Q20 & Q35
- G4 BiPin - Q10, Q15 & Q20
- SCB - 93, 1141 & 1156
- T5 Wedge - 912, 918 & 921

LED Lamp Performance Data

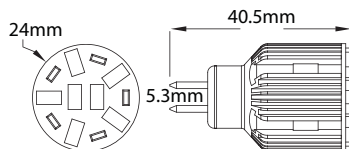
Input Voltage	12 V AC or DC (9 - 15V AC/DC)
Operating Temperature	35 - 40°C (95 - 104°F)
Operating Environment	-20 to 40°C (-4 - 104°F)
Lamp Surface Temperature	Less than 35°C (95°F)
Lumen Maintenance (L70)	35,000 Hours
Color Rendering Index (CRI)	79-85%
Product Standards	CE & ROHS

LED G5.3 BIPIN



Specifications

- Replaces: Q20 & Q35
- 230 Lumens
- 2.5 Watts
- 24 mm x 40.5 mm
- 12 LED chips
- omnidirectional illumination



Part Number

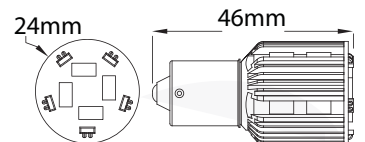
- LED G5.3 BIPIN 2700K
- LED G5.3 BIPIN 3000K

LED SCB



Specifications

- Replaces: 93, 1141 & 1156
- 260 Lumens
- 3 Watts
- 24 mm x 46 mm
- 14 LED chips
- omnidirectional illumination



Part Number

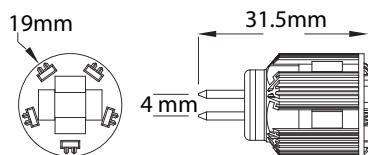
- LED SCB 2700K
- LED SCB 3000K

LED 19MM G4 BIPIN



Specifications

- Replaces: Q10, Q15 & Q20
- 190 Lumens
- 1.8 Watts
- 19 mm x 31.5 mm
- 9 LED chips
- omnidirectional illumination



Part Number

- LED G4 BIPIN 2700K
- LED G4 BIPIN 3000K

G4 MINI

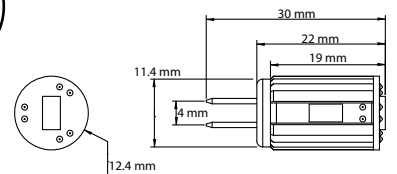


Specifications

- 1.7 Watts
- 12.4 mm x 30 mm
- 150-180 Lumens
- 4 LED chips
- omnidirectional illumination



NEW



Part Number

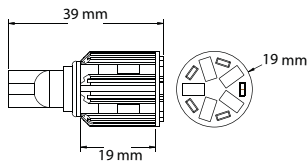
- LED G4 MINI 2700K
- LED G4 MINI 3000K

LED 19MM T5 WEDGE



Specifications

- Replaces: 912, 918 & 921
- 210 Lumens
- 1.8 Watts
- 19 mm x 39 mm
- omnidirectional illumination



Part Number

LED T5 WEDGE 2700K

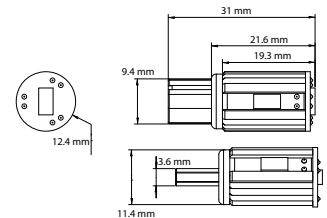
LED T5 WEDGE 3000K

T5 MINI



Specifications

- 1.7 Watts
- 12.4 mm x 31 mm
- 150-180 Lumens
- 4 LED chips
- omnidirectional illumination



Part Number

LED T5 MINI 2700K

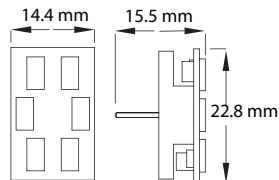
LED T5 MINI 3000K

LED BP REAR



Specifications

- 125 Lumens
- 1.6 Watts
- 14 mm x 22.8 mm
- unidirectional illumination



Part Number

LED BP REAR 2700K

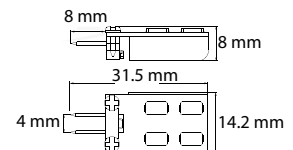
LED BP REAR 3000K

LED BP SIDE



Specifications

- 125 Lumens
- 2 Watts
- 14.2 mm x 31.5 mm
- Pin base rotates up to 45°
- unidirectional illumination



Part Number

LED BP SIDE 2700K

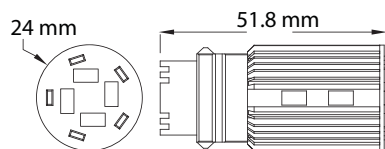
LED BP SIDE 3000K

LED S8 WEDGE



Specifications

- Replaces: 3155 & 3156
- 260 Lumens
- 3 Watts
- 24 mm x 51.8 mm
- omnidirectional illumination



Part Number

LED S8 WEDGE 2700K

LED S8 WEDGE 3000K



SOLID BRASS OUTDOOR FIXTURES

Ilumicare's solid brass fixtures are constructed of the highest quality red brass with an acid finish, giving the surface a weathered appearance. The fixtures naturally blend into the landscape while offering installed lamps optimal protection against continuous moisture and soil exposure.

Exceptional Color and Texture

No other metals create the aesthetic beauty offered by solid machined brass.

Weather Resistant

Brass has self-healing qualities that hide and blend in superficial scratches.

Low Maintenance

Brass can be restored to its original appearance even after years of neglect.

Temperature Tolerant

Brass will not soften in high temperatures or crack in low temperatures.

Corrosion Resistant

Outdoor exposure creates an attractive patina, which permanently protects the metal from corrosion.

Each solid brass fixture includes a minimum of 24" lead of 18/2 UL wire and a pre-greased beryllium copper socket. Lamps, surface mounts and other accessories are sold separately.

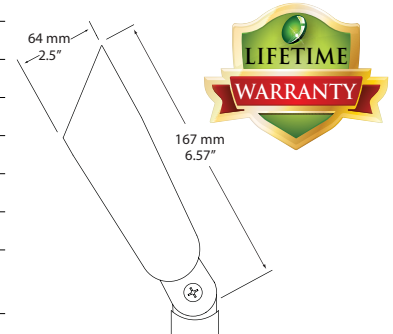
JASPER

DIRECTIONAL LIGHT



This rugged fixture has an adjustable shroud that can easily be secured using the quick-lock set screw and silicone o-ring gaskets, ensuring a weather-tight seal to withstand harsh weather conditions. Ideal for emphasizing texture, form, and dramatic effects.

Recommended Lamp	LED MR16
Weight	2.35 lbs
Socket	Pre-greased Beryllium Copper
Wattage	Maximum 20W
Voltage	12V
Lens	Clear Tempered Glass
Includes	7" Brass Stake, 36" 18/2 UL-Rated Wire



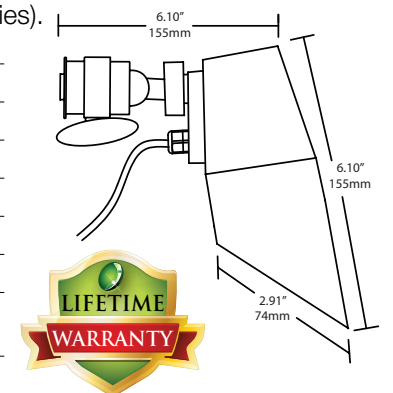
WOODY

DIRECTIONAL LIGHT



Woody can be mounted high on trellises, gazebos, and mature trees to recreate the ambiance of moonlight. Woody comes with 30' UL-listed wire for easy installation. A 10" shroud is also available and sold separately (see Accessories).

Recommended Lamp	LED MR16
Weight	2.35 lbs
Socket	Pre-greased Beryllium Copper
Wattage	Maximum 20W
Voltage	12V
Lens	Clear Tempered Glass
Includes	Brass Mount, Steel Hanger Bolt, 30' 18/2 UL-Rated Lead Wire
Shroud Accessory	10" shroud available (sold separately)



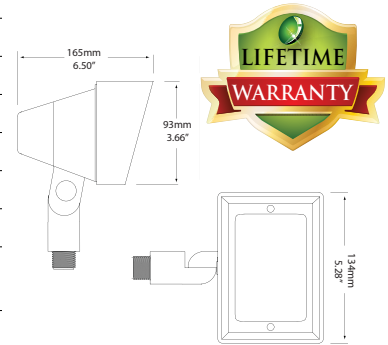
WALLY

FLOOD LIGHT



A wide wall wash ideal for illuminating walls and large vertical surfaces. Wally can be used for backlighting, silhouetting, and shadowing effects.

Recommended Lamp	LED G4 Bipin, G5.3, MR11
Weight	3.00 lbs
Socket	Pre-greased Beryllium Copper
Wattage	Maximum 20W
Voltage	12V
Installed Lens	Clear Tempered Glass
Includes	7" Brass Stake, 36" 18/2 UL-Rated Wire, Clear & Frosted Lenses



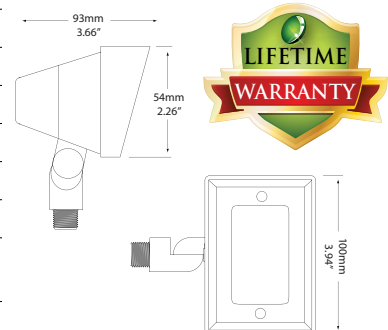
HEIDI

FLOOD LIGHT



A small brass wall wash fixture, easily hidden within small shrubs and other low foliage for creating dramatic washing, silhouetting, and shadowing effects.

Recommended Lamp	LED G4 Bipin, MR11
Weight	2.00 lbs
Socket	Pre-greased Beryllium Copper
Wattage	Maximum 20W
Voltage	12V
Installed Lens	Clear Tempered Glass
Includes	7" Brass Stake, 36" 18/2 UL-Rated Wire, Clear & Frosted Lenses



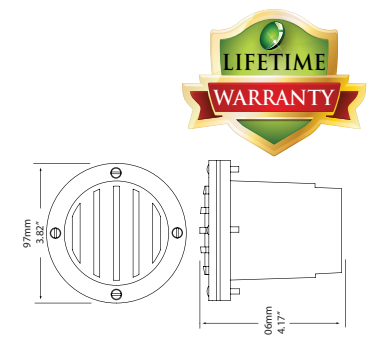
SANDY

WELL LIGHT



Designed to be buried in-ground to direct light upwards while remaining discreet, Sandy can be installed flush within a landscape or hardscape surface and is especially effective for accenting trees and tall grasses.

Recommended Lamp	LED MR16
Weight	2.50 lbs
Socket	Pre-greased Beryllium Copper
Wattage	Maximum 20W
Voltage	12V
Lens	Clear Convex Tempered Glass
Lens Cover	Louvered or Unlouvered
Includes	36" 18/2 UL-Rated Wire, PVC Installation Sleeve



SOLID BRASS OUTDOOR FIXTURES

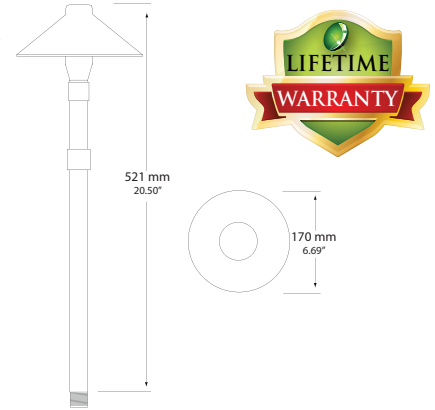
HERB

PATH & AREA LIGHT



A wide area light ideal for accenting walkways, plant beds, and borders. The extendable stem easily adjusts from 20" to 32" to complement growing plant materials.

Recommended Lamp	LED G4 Bipin
Weight	2.35 lbs
Socket	Pre-greased Beryllium Copper
Wattage	Maximum 20W
Voltage	12V
Lens	Clear Tempered Glass
Includes	7" Brass Stake, 36" 18/2 UL-Rated Wire



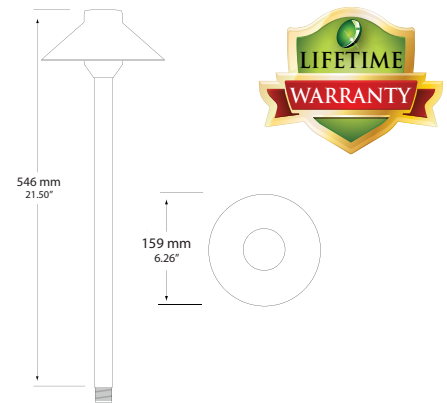
ROXY

PATH & AREA LIGHT



With an adjustable lamp base for versatile light spread, Roxy casts soft, symmetrical light patterns on the ground, ideal for areas around landscape features such as plants beds, ponds, or flowering plants.

Recommended Lamp	LED G4 Bipin
Weight	2.35 lbs
Socket	Pre-greased Beryllium Copper
Wattage	Maximum 20W
Voltage	12V
Lens	Clear Tempered Glass
Includes	7" Brass Stake, 36" 18/2 UL-Rated Wire



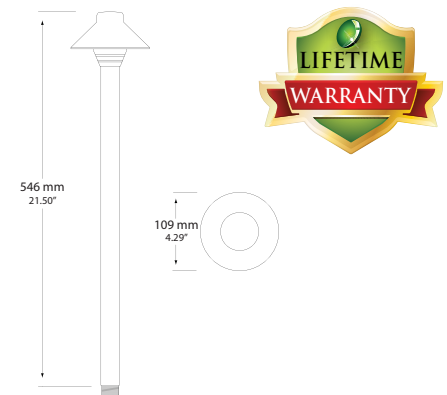
MISTY

PATH & AREA LIGHT



A smaller scale light with a narrow, compact beam spread, perfect for focused highlights. Misty is ideal for edging driveways and small garden paths.

Recommended Lamp	LED G4 Bipin
Weight	2.35 lbs
Socket	Pre-greased Beryllium Copper
Wattage	Maximum 20W
Voltage	12V
Lens	Clear Tempered Glass
Includes	7" Brass Stake, 36" 18/2 UL-Rated Wire



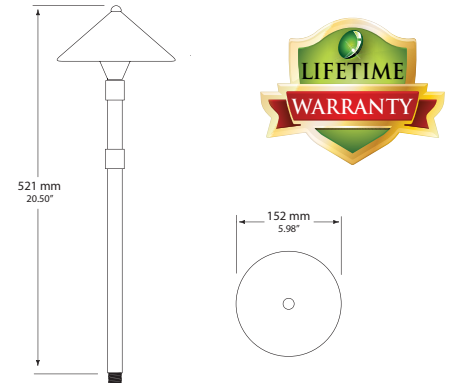
ASPEN

PATH & AREA LIGHT



A wide-brimmed area light that produces low-level light. Ideal for low-level lighting along walkways and entryways. The extendable stem adjusts from 20" to 32".

Recommended Lamp	LED G4 Bipin
Weight	2.35 lbs
Socket	Pre-greased Beryllium Copper
Wattage	Maximum 20W
Voltage	12V
Lens	Clear Tempered Glass
Includes	7" Brass Stake, 36" 18/2 UL-Rated Wire



PEARL

PATH & AREA LIGHT



A contemporary dome cap that produces a soft, warm glow. Ideal for decorative accents, pathways, walkways, and flower beds.

Recommended Lamp	LED G4 Bipin
Weight	3.45 lbs
Socket	Pre-greased Beryllium Copper
Wattage	Maximum 20W
Voltage	12V
Lens	Clear Tempered Glass
Includes	7" Brass Stake, 36" 18/2 UL-Rated Wire



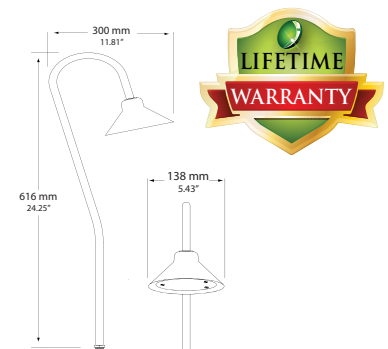
BENTLEY

PATH & AREA LIGHT



An elegant shepherd's hook path light featuring a directional hood, producing a low impact, shielded light. Ideal for casting textured shadows onto pathways.

Recommended Lamp	LED G4 Bipin
Weight	2.35 lbs
Socket	Pre-greased Beryllium Copper
Wattage	Maximum 20W
Voltage	12V
Lens	Clear Tempered Glass
Includes	7" Brass Stake, 36" 18/2 UL-Rated Wire



SOLID BRASS OUTDOOR FIXTURES

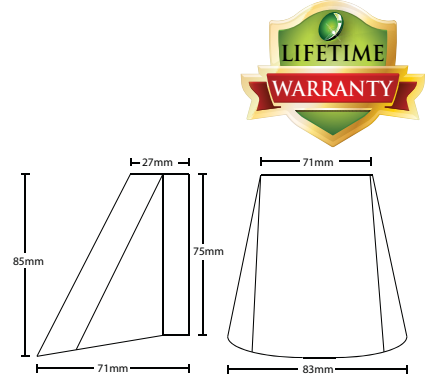
DECLAN

DECK & NICHE LIGHT



A dual-purpose light fixture with an adjustable socket for varying light output. Declan can be used as a post light or a sconce when flipped vertically. Ideal for deck, pergolas, and outdoor sitting areas.

Recommended Lamp	LED T5 Wedge
Weight	1.45 lbs
Socket	Pre-greased Beryllium Copper
Wattage	Maximum 20W
Voltage	12V
Lens	Clear Tempered, Linear Glass
Includes	96" 18/2 UL-Rated Wire, Mounting Template



GINGER

DECK & NICHE LIGHT



With a louvered brass lens cover, this deck light provides soft, glare-free ambient lighting. Ginger creates a casual, comfortable atmosphere for relaxing or entertaining.

Recommended Lamp	LED G4 Bipin
Weight	1.45 lbs
Socket	Pre-greased Beryllium Copper
Wattage	Maximum 10W
Voltage	12V
Installed Lens	Clear Tempered, Linear Glass
Includes	36" 18/2 UL-Rated Wire, Frosted & Flat Lenses



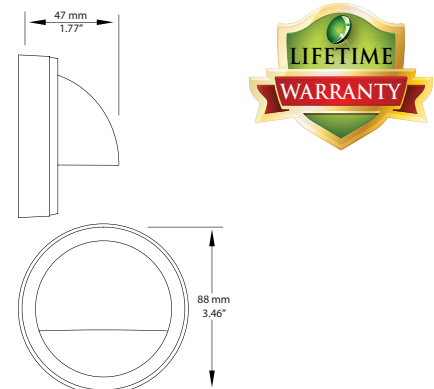
OPAL

DECK & NICHE LIGHT



A half-moon, modern style for subtle, soft lighting. Opal can be tucked into small nooks and edges for discreet lighting.

Recommended Lamp	LED G4 Bipin
Weight	1.45 lbs
Socket	Pre-greased Beryllium Copper
Wattage	Maximum 10W
Voltage	12V
Installed Lens	Clear Tempered, Linear Glass
Includes	36" 18/2 UL-Rated Wire, Frosted & Flat Lenses



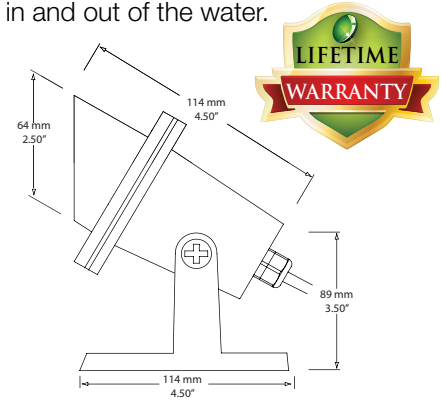
BROOK

SUBMERSIBLE LIGHT



Designed for installation in ponds and water gardens, Brook has a water-tight housing gasket and wire seal. The fully-rotatable shroud is perfect for underwater lighting, highlighting marine life, and creating moving shadows in and out of the water.

Recommended Lamp	LED MR16
Weight	3.00 lbs
Socket	Pre-greased Beryllium Copper
Wattage	Maximum 20W
Voltage	12V
Lens	Clear Tempered Glass
Includes	12' 18/2 UL-Rated Wire



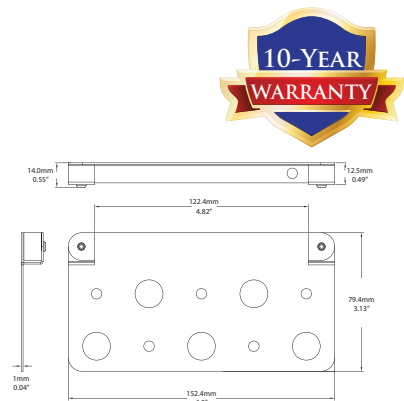
CLIFF

INTEGRATED LED COPING LUMINAIRE



A 6" solid brass coping light with 6 integrated LEDs, perfect for hardscapes and step lighting. Cliff can be mounted horizontally between surfaces using the flat stainless steel mounting bracket.

Rating	IP65
Lumen Output	206 Lumens
Color Temperature	2700K, 3000K
Weight	0.66 lbs
Wattage	2.5 W
Voltage	12~15VAC/DC
Lens	1/8" Flat Tempered Glass
Includes	96" 18/2 UL-Rated Wire, Flat Stainless Steel Bracket Mount



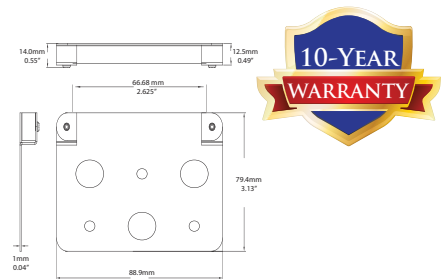
CLIFF MINI

INTEGRATED LED COPING LUMINAIRE



The 3.5" version of Cliff, our solid brass coping light, with 4 integrated LEDs. This luminaire is ideal for smaller hardscape features or more discreet applications.

Rating	IP65
Lumen Output	105 Lumens
Color Temperature	2700K, 3000K
Weight	0.48 lbs
Wattage	1.5 W
Voltage	12~15VAC/DC
Lens	1/8" Flat Tempered Glass
Includes	96" 18/2 UL-Rated Wire, Flat Stainless Steel Bracket Mount



PRECISION ENGINEERED LUMINAIRES

Engineered with premium materials and paired with a modern, contemporary design, these luminaires are perfect for architectural applications. The Precision Engineered line offers a complete solution for exterior lighting applications.

Marine Grade Stainless Steel

Stainless steel provides the perfect blend of stylish, sleek design and a semi-industrial look, making it the perfect accent for contemporary designs. Due to the high durability metal's corrosion and deterioration resistance, it does not discolor, rust, or fade away.

Machined 8 mm Copper

Our 8 mm copper luminaires offer old-world sophistication and age gracefully over time to produce a natural verdigris patina when exposed to the outdoor elements. Copper has inherent stain-resistant qualities, is simple to maintain, and does not corrode or rust over time.

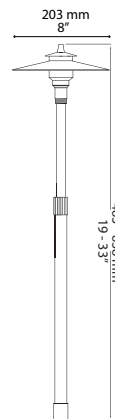
ADONIS

PATH & AREA LIGHT



A classic two-tiered pagoda light with an adjustable brass bushing for widening light output and a telescopic stem that extends from 19" to 33". Adonis is effective as a path or accent light.

Construction	Heavy Gauge Copper
Recommended Lamp	LED G4 Bipin
Weight	3.00 lbs
Socket	Ceramic MR16 Socket
Wattage	Maximum 20W
Voltage	12V
Installed Lens	1/8" Tempered Glass
Includes	6' 18/2 UL-Rated Wire, 9" Brass Stake



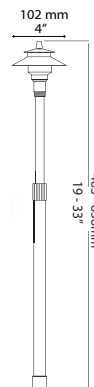
APHRODITE

PATH & AREA LIGHT



A smaller two-tiered pagoda light with an adjustable brass bushing and an extendable stem that adjusts from 19" to 33". Ideal for accent lighting for plant material in low plant beds or path lighting.

Construction	Heavy Gauge Copper
Recommended Lamp	LED G4 Bipin
Weight	3.00 lbs
Socket	Ceramic MR16 Socket
Wattage	Maximum 20W
Voltage	12V
Installed Lens	1/8" Tempered Glass
Includes	6' 18/2 UL-Rated Wire, 9" Brass Stake



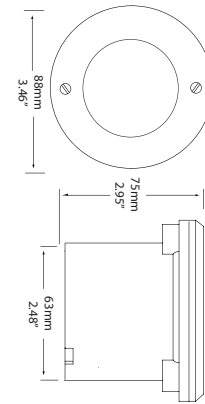
ORION

IN-GROUND LIGHT



Designed for in-ground installation in lawns, stone, wood, or masonry. Orion is durable enough to be stepped on or run over by light vehicles. This luminaire can be installed with or without the included PVC sleeve.

Construction	Marine Grade Stainless Steel
Recommended Lamp	LED MR16
Weight	2.35 lbs
Socket	Ceramic MR16 Socket
Wattage	Maximum 10W
Voltage	12V
Installed Lens	1/8" Tempered Glass
Includes	36" 18/2 UL-Rated Wire, PVC Installation Sleeve



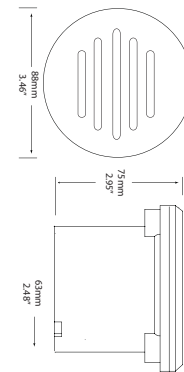
DEMETER

IN-GROUND LIGHT



An in-ground luminaire with an 88 mm low-profile flange, a recessed body, and a louvered cover. This luminaire is suitable for in-ground turf installations or recessed in wood or masonry projects. This luminaire can be installed with or without the included PVC sleeve.

Construction	Marine Grade Stainless Steel
Recommended Lamp	LED MR16
Weight	2.35 lbs
Socket	Ceramic MR16 Socket
Wattage	Maximum 10W
Voltage	12V
Installed Lens	1/8" Tempered Glass
Includes	36" 18/2 UL-Rated Wire, PVC Installation Sleeve



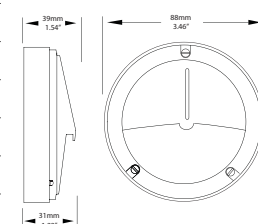
HELIOS

DECK & NICHE LIGHT



A compact, wall mount step light in a contemporary design. The shield masks two thirds of the light output, eliminating glare and providing soft, ambient lighting. Helios is designed for vertical mounting on masonry, stone, or wood surfaces.

Construction	Marine Grade Stainless Steel
Recommended Lamp	LED G4 Bipin
Weight	2.35 lbs
Socket	Ceramic G4 Bipin Socket
Wattage	Maximum 10W
Voltage	12V
Installed Lens	1/8" Tempered Frosted Glass
Includes	36" 18/2 UL-Rated Wire



PRECISION ENGINEERED LUMINAIRES

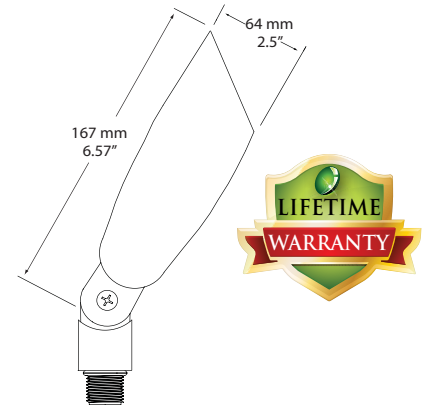
LETO

DIRECTIONAL LIGHT



A compact, sleek spot luminaire ideal for uplighting. Highly durable with a modern look, Leto offers superior strength and reliability.

Construction	316 Marine Grade Stainless Steel
Recommended Lamp	LED MR16
Weight	2.35 lbs
Socket	Ceramic MR16 Socket
Wattage	Maximum 20W
Voltage	12V
Installed Lens	1/8" Tempered Convex Glass
Includes	36" 18/2 UL-Rated Wire, 7" Stainless Steel Stake



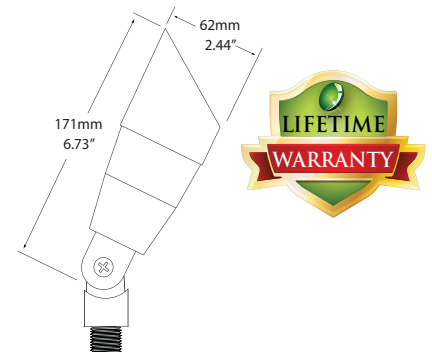
ALDER

DIRECTIONAL LIGHT



Named after the native North American birch tree, Alder, Illumicare's copper uplight, is truly "King of the Woods". The fully rotatable shroud is fitted with a silicone o-ring gasket to ensure a weather-tight seal in harsh weather conditions.

Construction	Machined Copper
Recommended Lamp	LED MR16
Weight	2.35 lbs
Socket	Beryllium Copper MR16 Socket
Wattage	Maximum 20W
Voltage	12V
Installed Lens	1/8" Tempered Convex Glass
Includes	36" 18/2 UL-Rated Wire, 7" Brass Stake



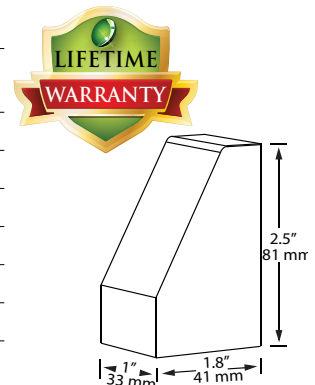
NYX & NYX SS

DECK & NICHE LIGHT



A diminutive niche luminaire designed for mounting on posts, decks, or where a smaller beamspread is required. The small fixture includes 8 feet of wire and a key hole slot in the back for easy installation.

Construction	Heavy Gauge Copper (Nyx) 316 Marine Grade Stainless Steel (Nyx SS)
Recommended Lamp	LED 19 mm T5 Wedge
Weight	0.4 lbs
Socket	T5 Wedge Socket
Wattage	Maximum 20W
Voltage	12V
Includes	8' 18/2 UL-Rated Wire



**NEW
NYX SS**

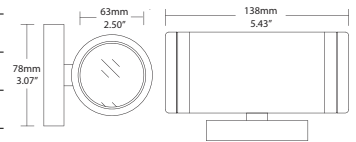
EREBUS SS & EREBUS COPPER

DIRECTIONAL LIGHT



An elegant wall mount with bidirectional light output available in both stainless steel and copper construction. Mount on vertical surfaces for simultaneous up and down lighting.

Construction	316 Marine Grade Stainless Steel (Erebus SS) Machined 8 mm Copper (Erebus Copper)
Recommended Lamps	LED MR16
Weight	3.00 lbs
Sockets	Two Ceramic MR16 Sockets
Wattage	Maximum 20W
Voltage	12V
Installed Lens	1/8" Flat Tempered Glass
Includes	36" 18/2 UL-Rated Wire



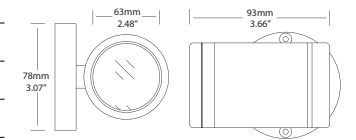
ASTERIA SS & ASTERIA COPPER

DIRECTIONAL LIGHT



A sleek wall mount with a fixed directional light output available in both stainless steel and copper. Ideal for columns and accenting architectural features.

Construction	316 Marine Grade Stainless Steel (Astera SS) Machined 8 mm Copper (Astera Copper)
Recommended Lamps	LED MR16
Weight	2.35 lbs
Socket	Ceramic MR16 Socket
Wattage	Maximum 20W
Voltage	12V
Installed Lens	1/8" Flat Tempered Glass
Includes	36" 18/2 UL-Rated Wire



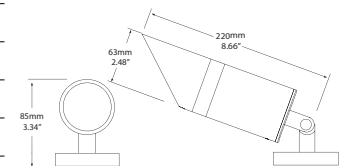
ARTEMIS SS & ARTEMIS COPPER

DIRECTIONAL LIGHT



An adjustable wall mount with an angled shroud for glare control. Available in stainless steel and copper, the fixture is ideal for highlighting accent pieces.

Construction	316 Marine Grade Stainless Steel (Artemis SS) Machined 8 mm Copper (Artemis Copper)
Recommended Lamps	LED MR16
Weight	3.00 lbs
Socket	Ceramic MR16 Socket
Wattage	Maximum 20W
Voltage	12V
Installed Lens	1/8" Flat Tempered Glass
Includes	36" 18/2 UL-Rated Wire, Fully Adjustable Bracket



PRECISION ENGINEERED LUMINAIRES

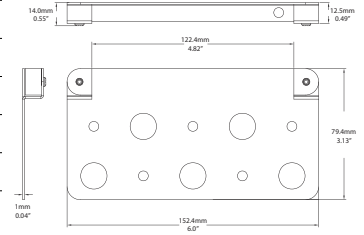
PHOEBE SS & PHOEBE COPPER

INTEGRATED LED COPING LUMINAIRE



A 6" coping light with 6 integrated LEDs, available in stainless steel and copper. Perfect for hardscapes and step lighting. The fixture can be mounted horizontally between surfaces using the flat stainless steel mounting bracket.

Construction	316 Marine Grade Stainless Steel (Phoebe SS) Machined 8 mm Copper (Phoebe Copper)
Rating	IP65
Lumen Output	206 Lumens
Color Temperature	3000K
Weight	0.66 lbs
Wattage	2.5 W
Voltage	12~15VAC/DC
Lens	1/8" Flat Tempered Glass
Includes	96" 18/2 UL-Rated Wire, Flat Stainless Steel Bracket Mount



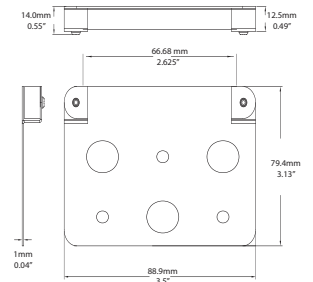
PHOEBE SS MINI & PHOEBE COPPER MINI

INTEGRATED LED COPING LUMINAIRE



The 3.5" version of Phoebe with 4 integrated LEDs, ideal for smaller hardscape features and for more discreet applications.

Construction	316 Marine Grade Stainless Steel (Phoebe SS) Machined 8 mm Copper (Phoebe Copper)
Rating	IP65
Lumen Output	105 Lumens
Color Temperature	3000K
Weight	0.48 lbs
Wattage	1.5 W
Voltage	12~15VAC/DC
Lens	1/8" Flat Tempered Glass
Includes	96" 18/2 UL-Rated Wire, Flat Stainless Steel Bracket Mount



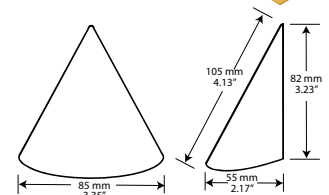
SELENE

DIRECTIONAL LIGHT



A versatile, cone-shaped light fixture, used for deck or post lighting. The simple yet elegant styling adds a unique element to any outdoor setting.

Construction	Machined 8 mm Copper
Recommended Lamps	LED 19 mm T5 Wedge
Weight	0.2 lbs
Socket	T5 Wedge Socket
Wattage	Maximum 20W
Voltage	12V
Includes	8' 18/2 UL-Rated Wire





SYMPHONY HARDSCAPES LUMINAIRES

Add Harmony to Your Outdoor Living Space

Constructed in polished stainless steel with an aluminum body, the Symphony Hardscape Luminaires feature an integrated LED chip, and ingress protection against moisture and debris. A removable ABS sleeve is included for easy installation. These luminaires are ideal for marking edges or pathways and designed for brick, stone, paver, and concrete applications. Illumicare's Symphony luminaires are perfect for your next hardscape project.

Each luminaire features:

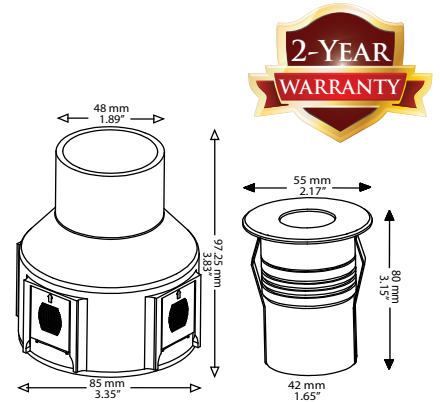
- 3000K Color Temperature
- -20°C to 40°C Operating Temperature
- One Cree LED chip
- Removable ABS Installation Sleeve
- 12" UL Listed 18/2 Lead Wire
- Stainless Steel and Aluminum Construction

MOZART



Directional, Round, In-Grade, Stainless Steel

Lumen Output	107 Lumens
Wattage	2.5 W
Lens	Flat 3/4" Flat Tempered Glass
Weight	1 lb
Voltage	12V
IP Rating	IP67
Includes	12" UL Listed 18/2 Lead Wire, Interchangeable Optics, ABS Pour Sleeve & Cap



CHOPIN



Directional, Square, In-Grade, Stainless Steel

Lumen Output	107 Lumens
Wattage	2.5 W
Lens	Flat 3/4" Flat Tempered Glass
Weight	1 lb
Voltage	12V
IP Rating	IP67
Includes	12" UL Listed 18/2 Lead Wire, Interchangeable Optics, ABS Pour Sleeve & Cap

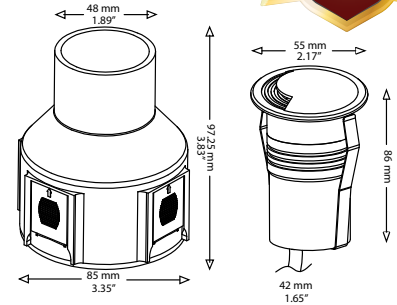


BRAHMS 1



70° Single Output, In-Grade, Stainless Steel

Lumen Output	6.4 Lumens
Wattage	2.4 W
Lens	Flat 3/4" Flat Tempered Glass
Weight	1 lb
Voltage	12V
IP Rating	IP67
Includes	12" UL Listed 18/2 Lead Wire, ABS Pour Sleeve & Cap

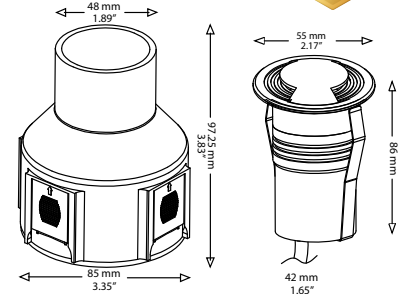


BRAHMS 2



70° Dual Output, In-Grade, Stainless Steel

Lumen Output	6.4 Lumens
Wattage	2.4 W
Lens	Flat 3/4" Flat Tempered Glass
Weight	1 lb
Voltage	12V
IP Rating	IP67
Includes	12" UL Listed 18/2 Lead Wire, ABS Pour Sleeve & Cap

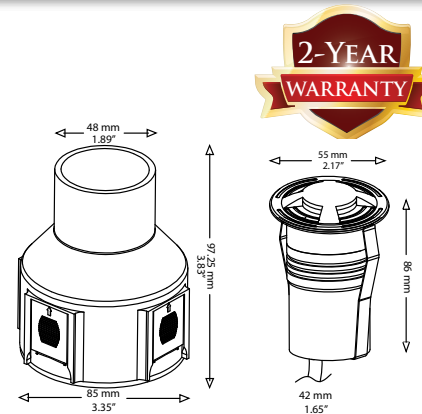


BRAHMS 4



30° Quad Output, In-Grade, Stainless Steel

Lumen Output	6.4 Lumens
Wattage	2.4 W
Lens	Flat 3/4" Flat Tempered Glass
Weight	1 lb
Voltage	12V
IP Rating	IP67
Includes	12" UL Listed 18/2 Lead Wire, ++ABS Pour Sleeve & Cap



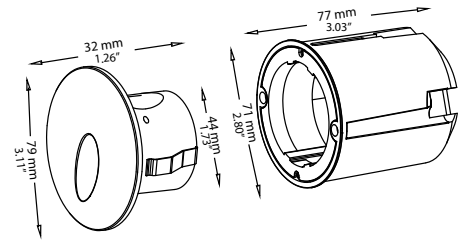
SYMPHONY HARDSCAPES LUMINAIRES

HAYDN

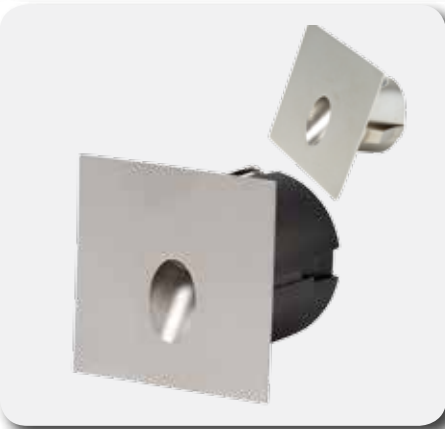


45° Output, Round, Recessed, Stainless Steel

Lumen Output	40 Lumens
Wattage	1.3 W
Lens	Flat 1/2" Flat Tempered Glass
Weight	0.5 lb
Voltage	12V
IP Rating	IP65
Includes	12" UL Listed 18/2 Lead Wire, ABS Sleeve w/Anchor Bolts

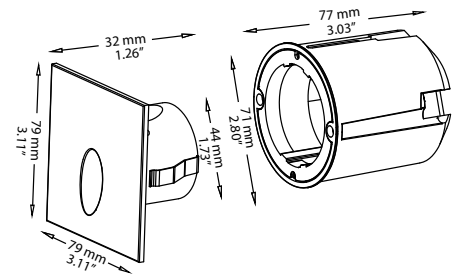


VIVALDI



45° Output, Round, Recessed, Stainless Steel

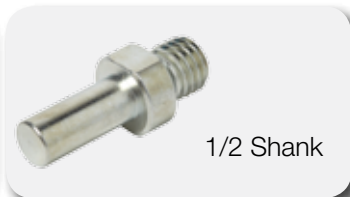
Lumen Output	40 Lumens
Wattage	1.3 W
Lens	Flat 1/2" Flat Tempered Glass
Weight	0.5 lb
Voltage	12V
IP Rating	IP65
Includes	12" UL Listed 18/2 Lead Wire, ABS Sleeve w/Anchor Bolts



INSTALLATION TOOLS

Tools may be purchased separately for easy installation of Illumicare's Symphony Hardscape Luminaires.

Our 1 3/4" coring bit, 5/8" x 11" drive and a 1/2 shank are sized perfectly for the luminaires.





CONTRAST FIXTURES

Minimalist Design for Bold Presentation

Ilumicare's Contrast Fixtures create a distinctive look using rich, powder-coated black and white finishes. Made of premium materials, these fixtures will stand up to outdoor elements. These luminaires can be used for discreet applications or for adding striking accents to intensify lighting designs.

THE SHADOW

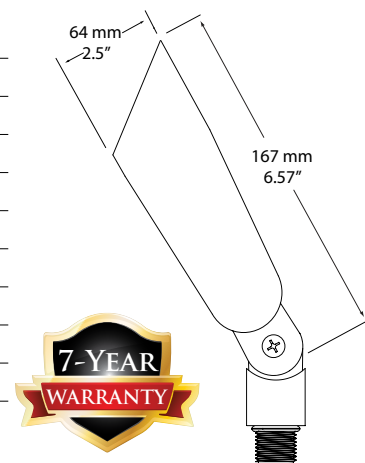
ALUMINUM DIRECTIONAL LIGHT



The Shadow is constructed of aircraft-grade aluminum (A360.0) for superior strength and reliability. Sealed through an anodization process with an embedded electrophoresis coating, the metal is smooth, anti-corrosive, and scratch-resistant. This combination of inner and outer coatings creates a durable, long-lasting finish.

The Shadow is the only professional grade fixture with this exclusive dual-coating, not a painted finish that will peel or fade.

Construction	Anodized Aluminum
Finish	Black Anti-Corrosion Coating
Shroud	Quick Lock with Set Screw
Socket	Pre-greased Beryllium Copper, MR16 Socket
Recommended Lamp	LED MR16
Wattage	Maximum 20W
Voltage	12V
Lens	Clear Convex Tempered Glass
Weight	1.75 lbs
Includes	Plastic Stake, 36" 18/2 UL Rated Lead Wire



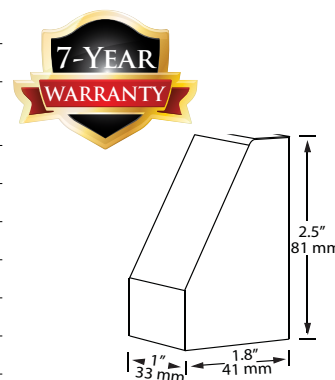
SILHOUETTE & PROFILE

POWDER-COATED DECK & NICHE LIGHT



Silhouette and Profile are constructed of highly durable stainless steel and finished with a protective powder-coating. These diminutive niche luminaires are designed for mounting on posts, or decks.

Construction	Stainless Steel
Finish	Black Powder Coating (Silhouette) White Powder Coating (Profile)
Recommended Lamp	LED 19 mm T5 Wedge
Weight	0.4 lbs
Socket	Ceramic T5 Wedge Socket
Wattage	Maximum 20W
Voltage	12V
Includes	8' 18/2 UL-Rated Wire





TRANSFORMERS

MILLIE, MINNIE, & DEMI

MULTI-TAP, TOROIDAL 12V TRANSFORMERS



For demanding landscape lighting projects that require power and flexibility to accommodate multiple wire runs, Illumicare's low voltage transformers are the perfect fit.

Whether you need a short wire run to light a few clustered fixtures, or a longer wire run to power enough fixtures to illuminate a 200 foot driveway, our transformers offer voltage taps ranging from 12 to 15 volts. Illumicare's multiple voltage taps reduce the risk of installing wire runs that lower the light output, change the color temperature, shorten the lamp life, or even burn lamps too hot.

Features:

- Toroidal Core Transformer
- Extra Large Terminal Strips
- Magnetic Circuit Breakers
- Stainless Steel Enclosures
- Removable, Lockable Latched Door
- Timer and Photocell Outlets



	150W	300W	600W
LED MR16	20 Lamps	45 Lamps	75 Lamps
LED MINIATURE	40 Lamps	90 Lamps	150 Lamps

MILLIE

Part Number	TR150-1215
Input	120V~60Hz 1.4A Max
Output	150W-12V~/13V~/14V~/15V~
Construction	Stainless Steel
Weight	15 lbs
Dimensions	420 mm x 167 mm x 153 mm 16.54" x 6.57" x 6.02"

MINNIE

Part Number	TR300-1215
Input	120V~60Hz 2.5A Max
Output	300W-12V~/13V~/14V~/15V~
Construction	Stainless Steel
Weight	22 lbs
Dimensions	420 mm x 167 mm x 153 mm 16.54" x 6.57" x 6.02"

DEMI

Part Number	TR600-1215
Input	120V~60Hz 5A Max
Output	600W-12V~/13V~/14V~/15V~
Construction	Stainless Steel
Weight	28 lbs
Dimensions	420 mm x 167 mm x 153 mm 16.54" x 6.57" x 6.02"

PURCELL

100 WATT, MAGNETIC 12V TRANSFORMER



For small landscape lighting projects that require only a few fixtures, use Illumicare's discreet, single-tap 100W transformer, Purcell.

Ideal for short wire runs to light a few clustered fixtures, or hardscape luminaires, Purcell offers one 12V wire trap, a manual 4 to 8 hour timer with an on and off switch, and a built-in photocell.

Input	120V~60Hz
Output	100W
Operating Temp.	-10° to 40° C
Includes	Photocell & Manual Timer
Input Cable	36" 18AWG/2C 105°C
Dimensions	160 mm x 107.5 mm x 92 mm 6.30" x 4.23" x 3.62"



MERLIN ZONE CONTROL SYSTEM

MERLIN, Illumicare's zone control system offers comprehensive low voltage lighting management at the press of a button. Take control of outdoor living spaces with our versatile and easy-to-install wireless system.

- Independently program up to four zones on single or multiple transformers
- Easily retrofits to existing low voltage lighting systems
- Communication range of up to 500 feet (150 m)
- Astronomical controls
- Automatically adjusts to Daylight Saving Time
- Easy-to-program GPS locators
- All components use an independent address code system, eliminating interference from other devices

Each Merlin kit comes with 1 controller and 2 receivers.
Each component may be purchased separately.



Specifications

Construction	Polycarbonate
Dimensions	Programmer: 9.84" x 2.75" x 0.83"
	Receiver: 7.20" x 5.82" x 1.30"
	Controller: 3.46" x 1.89" x 0.83"
Weight	Combined: 0.75 lbs
Communication Range	500 feet (150 meters)
Operating Temp.	-40° to 140° F (-40° to 60° C)
Certification	FCC/IC/ETL
Voltage	12 V
Output	12V Max, Loaded 25A



WIRELESS PROGRAMMER

The Merlin programmer is used for zone creation and scheduling. It wirelessly communicates with the receiver and syncs with the controller.

- Large, easy-to-read, backlit LCD display
- Easy-to-navigate, intuitive controls
- Automatically shuts down after 5 minutes of inactivity
- Use one programmer to control multiple properties



HANDHELD CONTROLLER

The wireless controller overrides scheduled events instantly without adjusting the entire program.

- Easily and conveniently turn on/off zones
- Override existing schedules
- Control each zone or all zones at once
- Simple on/off controls










RECEIVER

The MERLIN receiver can be easily installed into most transformers and easily syncs with the programmer and controller.

- Embedded Real Time Clock chip ensures accuracy and eliminates scheduling errors
- Non-volatile memory
- Updates automatically for accurate GPS information
- Ability to set one or more receivers in one zone for programming flexibility

ACCESSORIES

MOUNTS, STAKES & STEM EXTENSIONS

	Brass Surface Mount - 4" Width
	Brass Stake - 7" Length
	Plastic Stake - 9" Length
	Extendable Stem 20" to 32"
	12" Stem Extension
	18" Stem Extension
	24" Stem Extension

LOW VOLTAGE 12 & 14 GAUGE WIRE



- Designed for low voltage landscape lighting
- UL listed - meets Canadian & US requirements
- UV resistant for long life
- Listed for outdoor use
- Flexible insulation sheath
- Suitable for direct burial applications

Part Number	Description
W 14/2-50	14 AWG, 2-conduit, 50'
W 14/2-100	14 AWG, 2-conduit, 100'
W 14/2-250	14 AWG, 2-conduit, 250'
W 12/2-100	12 AWG, 2-conduit, 100'
W 12/2-250	12 AWG, 2-conduit, 250'
W 12/2-500	12 AWG, 2-conduit, 500'

DEMO KIT



Illumicare offers the ultimate sales tool for landscape lighting professionals. This convenient kit was developed to assist you in demonstrating the quality and durability of professional grade fixtures and lamps in the early stages of your sales process.

The demo kit features 13 solid brass fixtures and 13 LED lamps, including our most popular miniatures and MR16s of various colors and beamspreads.

Why buy each fixture and lamp individually to build your own showcase when you can purchase an entire set, combined in a custom carrying case, for more than 60% off the regular price?



WARRANTY

Illumicare Group Limited's products are guaranteed to the original owner against defects in material and workmanship.

Free of charge, Illumicare Group Limited will replace any properly installed lamp, fixture, luminaire, or transformer which fails under normal operating conditions and has not undergone abuse beyond normal wear-and-tear within the specified warranty period.

Damages due to physical abuse, tampering, improper installation, acts of nature such as but not limited to lightning strikes, hurricanes, tornadoes, earthquakes and floods will not be covered under the warranty.

All products are covered during the warranty period (determined from date of invoice) if returned to the factory, transportation prepaid, and upon inspection is determined to be defective under the terms of the warranty.

Series	Product	Warranty Period
LED Lamps	MR16, MR11	5 Years
Miniature LED Lamps	G4, G5.3, SCB, S8, T5, BP Rear, BP Side	5 Years
Professional Grade Solid Brass Fixtures	Jasper, Woody, Sandy, Brook, Wally, Heidi, Declan, Ginger, Opal, Herb, Roxy, Misty, Aspen, Pearl, Bentley	Lifetime
Precision Engineered Luminaires	Artemis SS & Artemis Copper, Erebus SS & Erebus Copper, Asteria SS & Asteria Copper, Leto, Alder, Orion, Demeter, Helios, Adonis, Aphrodite, Nyx & Nyx SS	Lifetime
Integrated LED Coping Luminaires	Cliff, Phoebe SS & Phoebe Copper (including MINIs)	10 Years
Hardscape Symphony Luminaires	Brahms 1, Brahms 2, Brahms 3, Mozart, Chopin, Haydn, Vivaldi	2 Years
Aluminum Fixtures	The Shadow, Silhouette, Profile	7 Years
Multi-tap Transformers	R150-1215, TR300-1215, TR600-1215	Lifetime
Single-tap Transformer	Purcell	2 Years
Zone Control System	Merlin	3 Years

A Return Merchandise Authorization (RMA) must be issued by Illumicare prior to the return of any product.

Illumicare Group Limited is not liable for any indirect, incidental, or consequential damages in the connection with use of equipment, including but not limited to damage or injury to vegetation, property or persons resulting from installers' actions whether negligent or otherwise.

Illumicare Group Limited does not provide compensation for transportation, labor, or any other charges incurred in the diagnosis, repair, or replacement of our lamps, fixtures, luminaires, accessories, or transformers.

Installers are encouraged to contact Illumicare Group Limited directly to help diagnose problems before requesting warranty replacement.

For more information about our warranty, please contact sales@illumicaregroup.com.

**Specifications within this catalogue may change without notice.

LIGHTING DESIGN CREDITS

Western Landscaping



Various lighting effects pg. 4-5

Knight Eclairage



Inside Cover - pg. 2-3, Back cover
Full spread - pg. 24, 25, 27
Various lighting effects - pg. 4-5

Hill'n Dale Landscaping



Front Cover
Various lighting effects pg. 4-5

GardenFX



Wall washing lighting effect - pg. 4
Coring bit application - pg. 24



ILLUMICARE
GROUP LIMITED

INNOVATE | INTEGRATE | ILLUMINATE



NOW AVAILABLE
LED MR16 Single Lens
with Replaceable Optics
4 BEAM SPREADS IN ONE LAMP!

Details on p. 6



**New
Product
Contest**

Winner | Landscape Lighting

Toll free: 1-866-277-2934
Fax: 1-800-559-1806
www.illumigroup.com
sales@illumigroup.com



© Copyright Illumicare Group Limited
Newmarket, ON L3Y 7B6

