



(12) **United States Design Patent**
Garibovic

(10) **Patent No.:** **US D726,069 S**
(45) **Date of Patent:** **** Apr. 7, 2015**

- (54) **CONSTRUCTION BLOCK PLANTER BOX**
- (71) Applicant: **Edin Garibovic**, Houston, TX (US)
- (72) Inventor: **Edin Garibovic**, Houston, TX (US)
- (**) Term: **14 Years**
- (21) Appl. No.: **29/459,271**
- (22) Filed: **Jun. 27, 2013**

Related U.S. Application Data

- (62) Division of application No. 29/420,550, filed on May 10, 2012, now Pat. No. Des. 687,344.
- (51) **LOC (10) Cl.** **11-02**
- (52) **U.S. Cl.**
USPC **D11/143; D25/116**
- (58) **Field of Classification Search**
USPC D6/403-405, 556-559, 570;
D11/143-156, 164; D19/77, 80, 81,
D19/84; D25/15, 100, 105, 113, 116;
D26/9, 10, 11, 16, 19; D34/1, 2, 4-6;
47/17, 32.4, 32.5, 32.7, 33, 39, 41.01,
47/41.1, 41.11-41.15, 44-47, 63, 65.5,
47/65.9, 66.6, 66.7, 67-71
See application file for complete search history.

References Cited

U.S. PATENT DOCUMENTS

| | | | | |
|--------------|-----|---------|-------------------|---------|
| 2,633,278 | A | 3/1953 | Muniz | |
| 3,384,260 | A | 5/1968 | Buffington | |
| 4,658,541 | A | 4/1987 | Haile | |
| D310,267 | S * | 8/1990 | Zeidman | D25/113 |
| D311,444 | S * | 10/1990 | Forsberg | D25/113 |
| 5,072,566 | A * | 12/1991 | Zeidman | 52/608 |
| D343,509 | S | 1/1994 | Scott, Jr. et al. | |
| D346,726 | S | 5/1994 | Scott, Jr. et al. | |
| D355,791 | S | 2/1995 | Briley | |
| D687,344 | S * | 8/2013 | Garibovic | D11/143 |
| 2009/0173000 | A1 | 7/2009 | Rand et al. | |

* cited by examiner

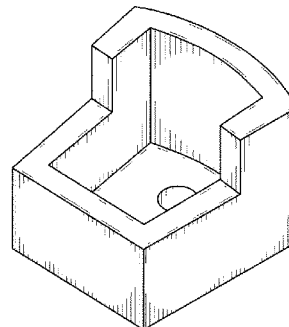
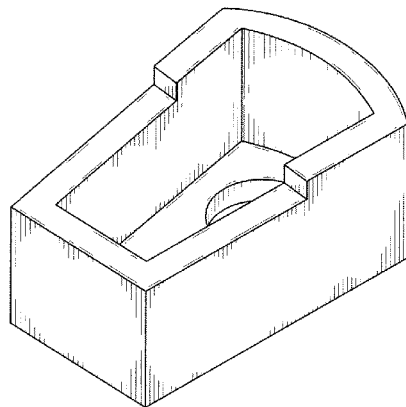
Primary Examiner — Robert M Spear
Assistant Examiner — Marissa J Cash
(74) *Attorney, Agent, or Firm* — Charles S. Knobloch;
Arnold, Knobloch & Saunders, L.L.P.

(57) **CLAIM**
I claim the ornamental design for a construction block planter box, as shown and described.

DESCRIPTION

FIG. 1 is a perspective view of a first embodiment of the construction block planter box.
 FIG. 2 is a top view of a first embodiment of the construction block planter box.
 FIG. 3 is a bottom view of a first embodiment of the construction block planter box.
 FIG. 4 is a side view of a first embodiment of the construction block planter box.
 FIG. 5 is a rear-side view of a first embodiment of the construction block planter box.
 FIG. 6 is a front-side view of a first embodiment of the construction block planter box.
 FIG. 7 is a top view of a first embodiment of the construction block planter box with environment illustrated.
 FIG. 8 is a perspective view of a first embodiment of the construction block planter box with environment illustrated.
 FIG. 9 is a perspective view of a second embodiment of the construction block planter box.
 FIG. 10 is a top view of a second embodiment of the construction block planter box.
 FIG. 11 is a bottom view of a second embodiment of the construction block planter box.
 FIG. 12 is a side view of a second embodiment of the construction block planter box.
 FIG. 13 is a rear-side view of a second embodiment of the construction block planter box.
 FIG. 14 is a front-side view of a second embodiment of the construction block planter box.
 FIG. 15 is a top view of a second embodiment of the construction block planter box with environment illustrated; and, FIG. 16 is a perspective view of a second embodiment of the construction block planter box with environment illustrated. The broken lines in the drawing figures illustrate environmental subject matter only and form no part of the claimed design.

1 Claim, 7 Drawing Sheets



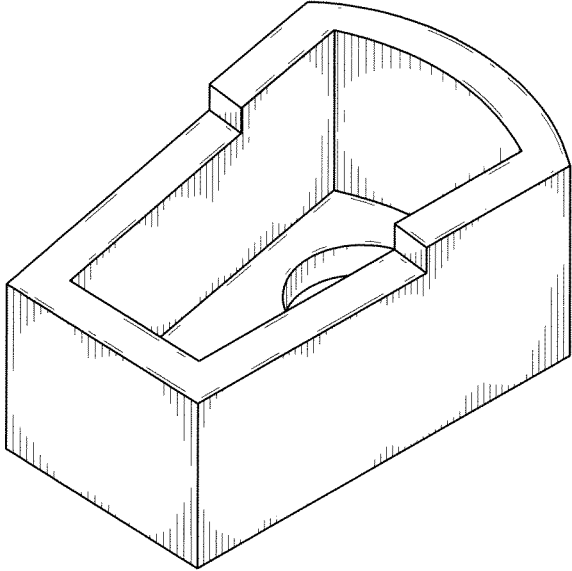


FIG. 1

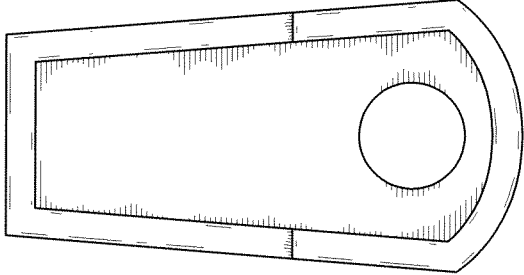


FIG. 2

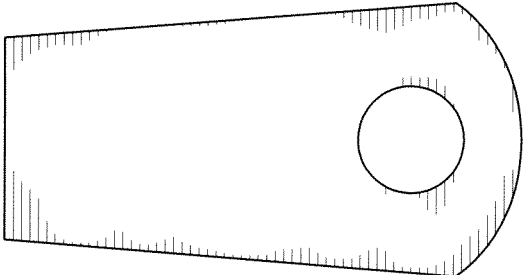


FIG. 3

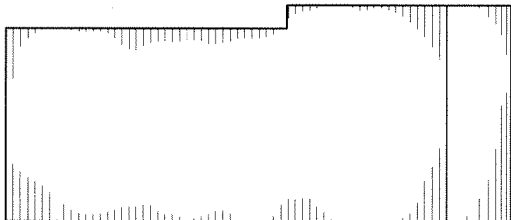


FIG. 4

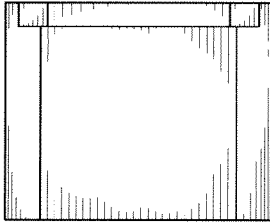


FIG. 5

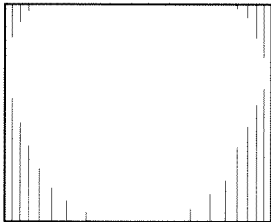


FIG. 6

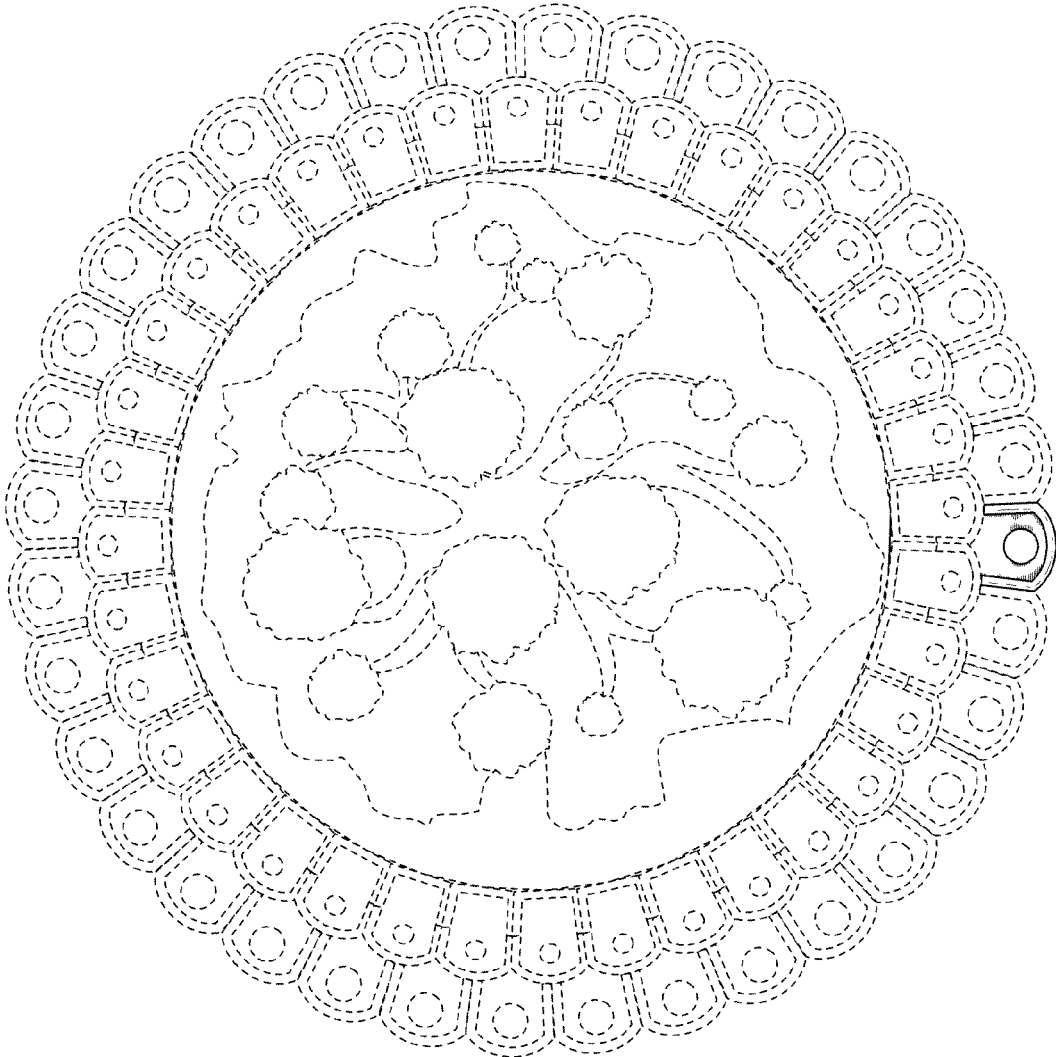


FIG. 7

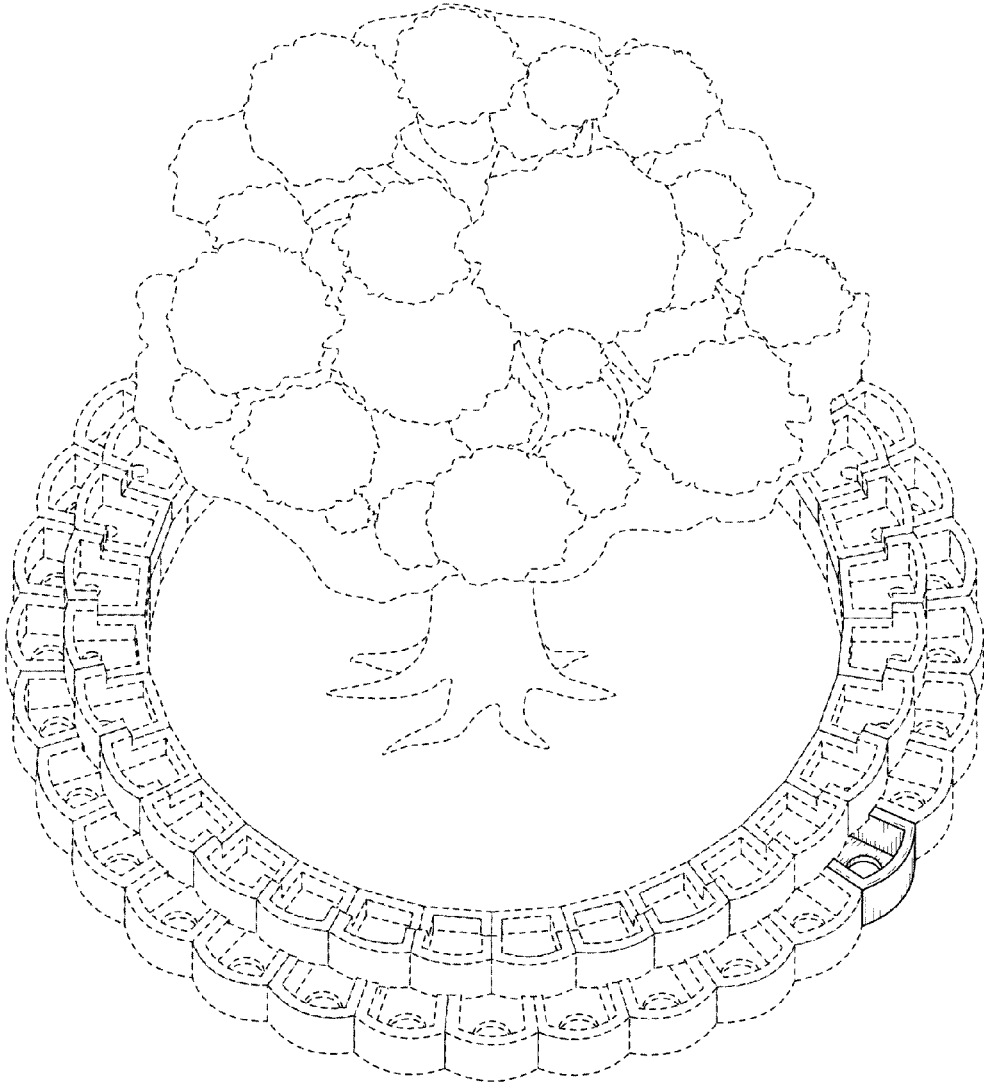


FIG. 8

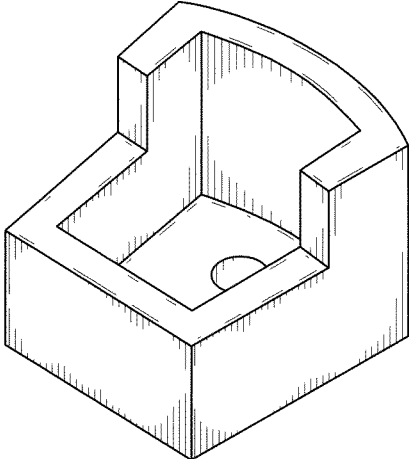


FIG. 9

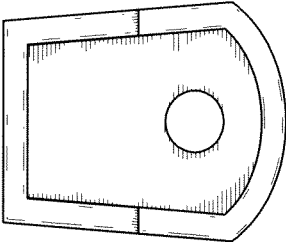


FIG. 10

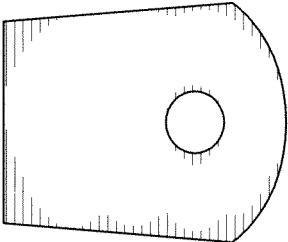


FIG. 11

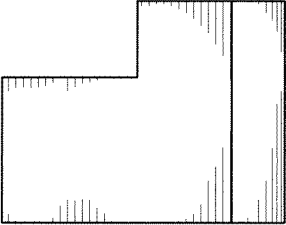


FIG. 12

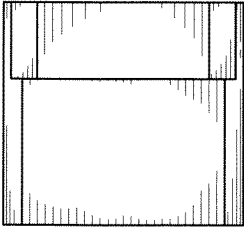


FIG. 13

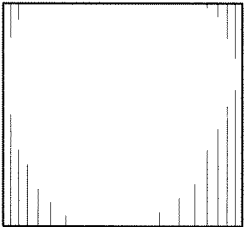


FIG. 14

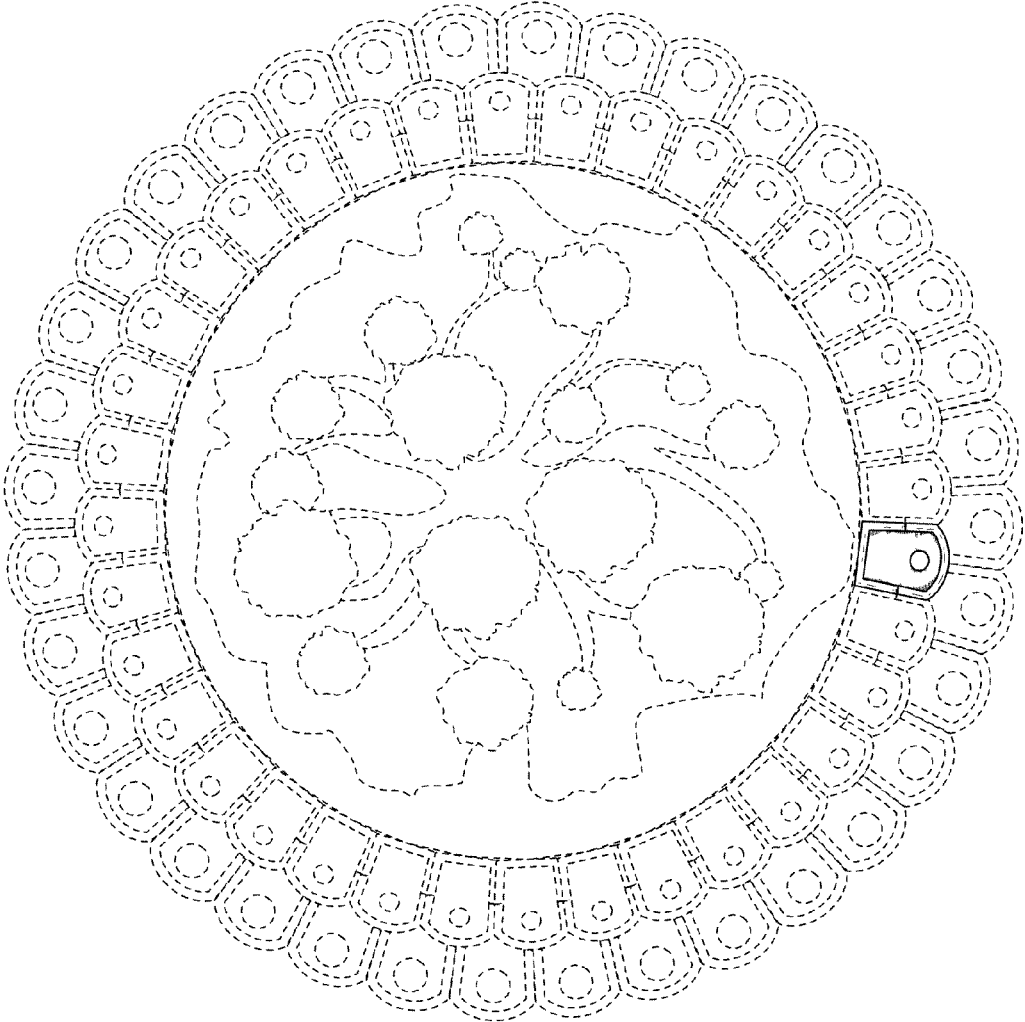


FIG. 15

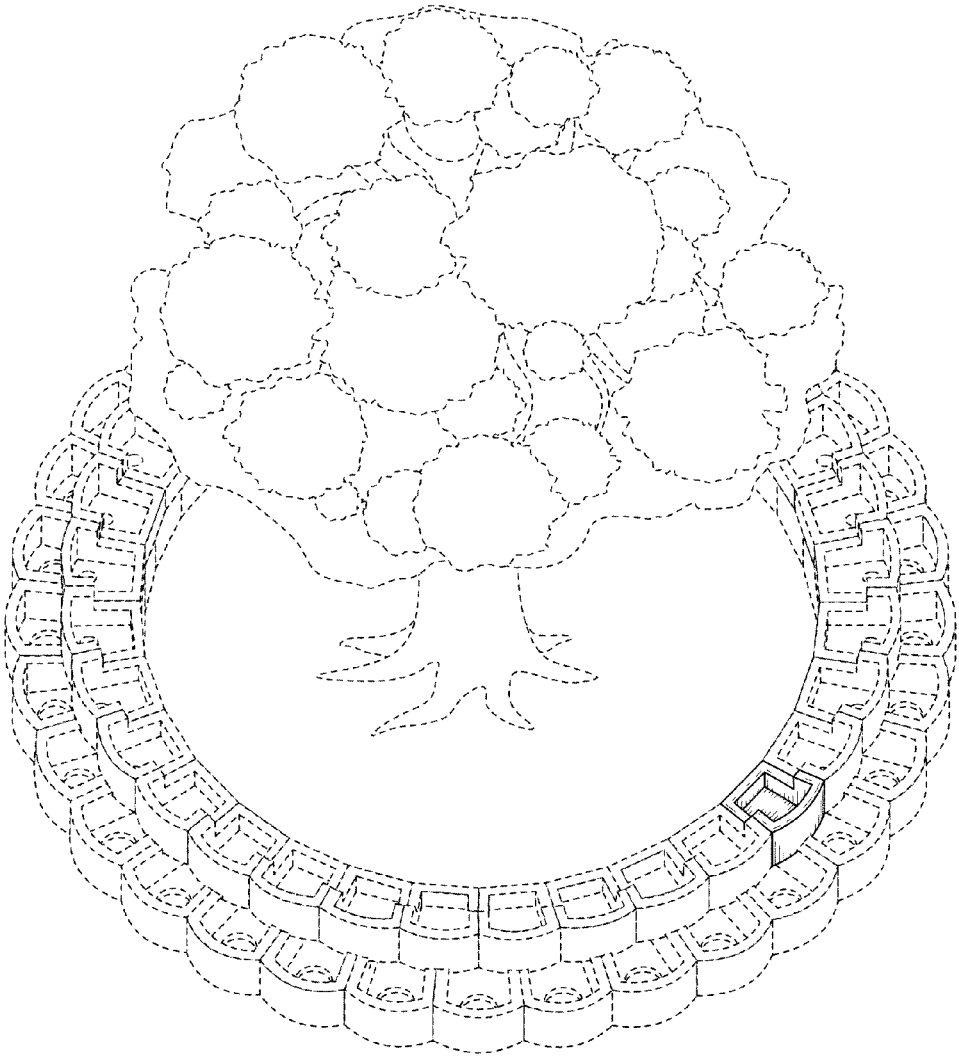


FIG. 16