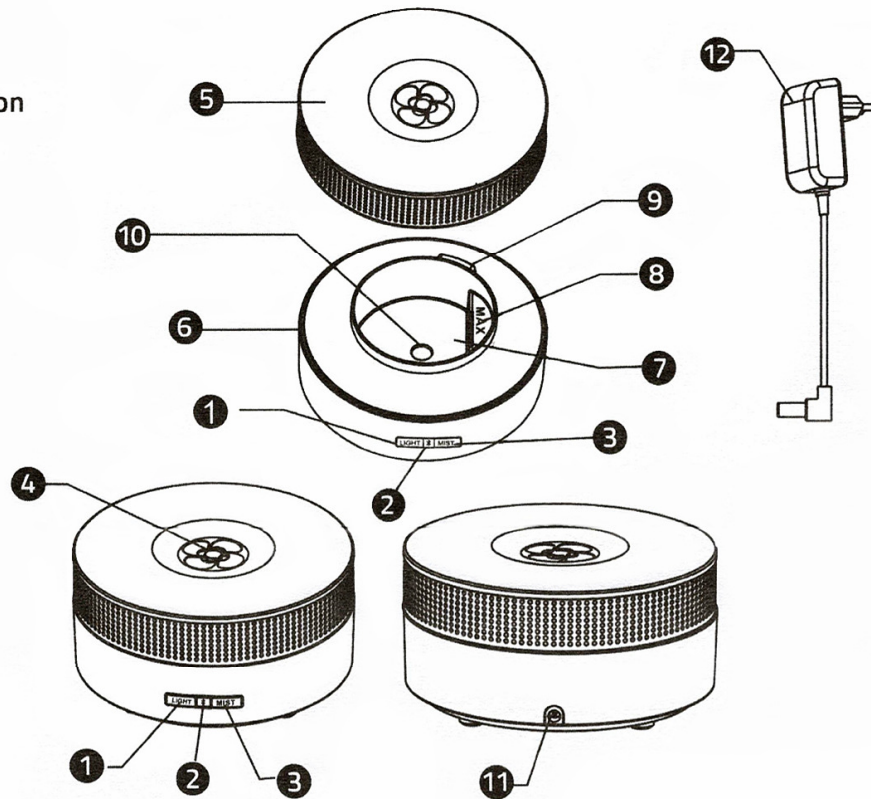


INCLUDED

Main Unit
UL approved AC Adapter

NAMES OF PARTS

- ① Light Button
- ② Bluetooth® Button
- ③ Mist Button
- ④ Mist Outlet
- ⑤ Top Cover
- ⑥ Main Body
- ⑦ Water Tank
- ⑧ Max Fill Line
- ⑨ Air Outlet
- ⑩ Ceramic Disc
- ⑪ DC Plug
- ⑫ Adaptor



OPERATING INSTRUCTIONS

Please follow these instructions for proper function and maintenance:

1. Remove top cover of the unit.
2. Fill the Water Tank with cool tap water to the Max Fill Line. One-half cup of water will last up to 3 hours in CONTINUOUS mode and up to 6 hours in INTERMITTENT mode. The unit will automatically turn off after 3 or 6 hours, depending on the mode selected.
3. Add a few drops of **100% pure essential oil** for aromatherapy if desired.
4. Place the top cover of the unit securely onto the main body.
5. Plug the adaptor into the unit's DC plug first. Then plug the other end of the adaptor into a power outlet.

6. Press the MIST button to turn the unit on. It will turn on in CONTINUOUS mode. Press the MIST button again for INTERMITTENT mode. Press the MIST button a third time to turn the mist off.
7. Press the LIGHT button to turn on the LED light. The light will turn on in multi-color mode. Press the LIGHT button a second time pause color rotation. Pressing the LIGHT button a third time will turn the light off.
8. For music, turn on the *Bluetooth*[®] wireless technology on your device. Press the *Bluetooth*[®] button on the AromaHarmony, and hold for two seconds to turn on. Press again if you want to turn the *Bluetooth*[®] technology off.
9. AromaHarmony's *Bluetooth*[®] connection name will appear on your device as "Music Spa." Click on this name to connect the unit to your *Bluetooth*[®] enabled device.
10. The unit will stop diffusing mist when the water level gets too low. When this happens, unplug the unit and add water.
11. Unplug unit when not in use.

CAUTION:

- **Do not operate without water.**
- **Avoid any spillage of water by keeping the unit upright at all times. Make sure the water tank is emptied when unit is not in use. Pour water out from side of machine. Do not pour from the air outlet.**
- **Normal misting will occur only when there is sufficient amount of water in the tank.**
- **Note that misting creates humidification. Do not place the unit on any surface that may become damaged by water. Should any spillage occur, please wipe up immediately.**
- **Unplug unit when not in use.**

CARE & MAINTENANCE

1. Always unplug the adapter from any device before performing maintenance. First unplug from the wall outlet. Then unplug the DC end.
2. When not in use, empty the water and dry with a soft cloth to avoid mineral buildup.
3. To remove possible buildup, gently use a cotton swab dipped in rubbing alcohol or white vinegar to wipe out the inside.
Note: The vibration plate should not come in contact with any hard or sharp objects. See further cleaning details at www.sparoom.com
4. For frequent use, change water daily.
5. Do not use any liquid solvents to clean the electronic components as they may damage the unit.
6. If the unit begins to overheat, it will automatically turn off. If this happens, unplug the unit from the wall. Plug back in to restart after it has cooled down.
7. For questions or replacement parts, visit www.sparoom.com or call 216.831.1900.