

minicatalogue



CHIRANA PROGRESS

Chirana Progress
Vrbovská cesta 17
921 01 Piesňany
Slovakia

tel.: +421 33 7956210
e-mail: chirana@chirana-progress.sk
www.chirana-progress.sk



OCEAN

Useful bath tub capacity	260 l - 280 l
Power supply	3 x 400 V / 50 Hz
Power input	1150 - 2500 VA
Weight	137 - 180 kg
Dimensions (l x w x h)	2500 x 960 x 920 mm

aquaviva®



OCEAN

TYPES AND EQUIPMENT

OCEAN Economy	1, 2 (24x), 3, 6, 8, 9
OCEAN Standard	1, 2 (40x), 3, 6, 8, 9
OCEAN Forte	1, 2 (80x), 4, 5 (3 zones), 6, 8, 9, 10
OCEAN Forte PC	1, 2 (80x), 4, 5 (3 zones), 6, 8, 9, 10
OCEAN de Luxe	2 (174x), 4, 5 (5 zones), 6, 7 (38x), 8, 9, 10

aquaviva®



OCEAN

BASIC EQUIPMENT

1. massage hose with air mixture
2. hydrotherapy massage jets
3. LCD display
4. Touch screen
5. programmable zone massage
6. sanitary shower
7. built-in bubble grid
8. steps
9. water massage jets rinsing
10. automatic water mixing and filling

aquaviva®



OCEAN

OPTIONAL EQUIPMENT

Chromatotherapy
Semi-automatic filling (Forte, Standard)
Electromagnetic incrust stopper
Automatic disinfection
Built-in bubble grid (Economy, Standard, Forte, Forte PC)
Ozonotherapy
Recycling
Foot rest
Steps with handrail

aquaviva®



OCEAN FORTE PC / OCEAN de LUXE

OPTIONAL EQUIPMENT

Underwater massage hose - de Luxe
Magnetotherapy
Automatic disinfection
Pulsation
RGB illumination
Voice communication
Operation log

aquaviva®

MEDIProgress GROUP
aquaviva®

Underwater **massage**
Ocean® Economy

Underwater and whirling **massage**
Ocean® Standard

Underwater and whirling **massage**
Ocean® Forte

Automatic underwater and whirling **massage**
Ocean® Forte PC

Automatic underwater and whirling **massage**
Ocean® de Luxe



LAGUNA

Useful bath tub capacity	200 l
Power supply	230 V / 3 x 400 V / 50 Hz
Power input	0 - 2000 VA
Weight	79 - 140 kg
Dimensions (l x w x h)	2200 x 870 x 790 mm

aquaviva®



LAGUNA

TYPES AND EQUIPMENT

LAGUNA	1, 2 (25x), 4, 7
LAGUNA Plus	1, 3 (60x), 4, 6, 7
LAGUNA Bubble	1, 3 (60x), 4, 5
LAGUNA Plus Bubble	1, 2 (25x), 3 (40x), 4, 5, 6
LAGUNA Tornado	2 (124x), 3 (28x), 4, 6, 8 (5 zones)

aquaviva®

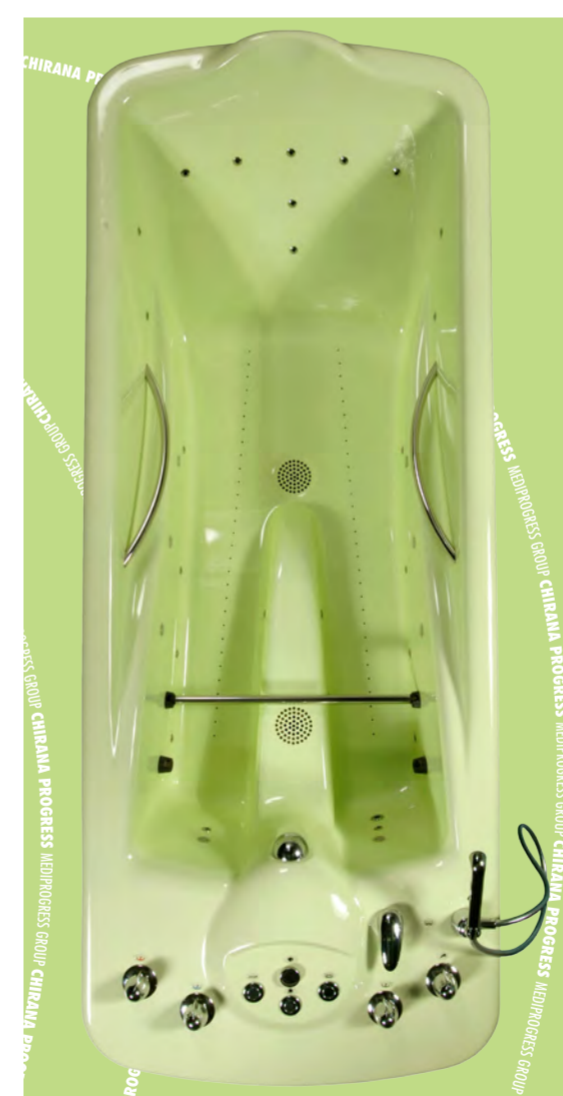


LAGUNA

BASIC EQUIPMENT

1. additive water inlet
2. hydrotherapy massage jets with air mixture
3. built-in bubble grid
4. sanitary shower
5. water massage jets
6. water massage jets rinsing
7. bubble grid connection
8. programmable zone massage

aquaviva®



LAGUNA

OPTIONAL EQUIPMENT

Chromatotherapy
Semi-automatic water filling - Laguna Plus Bubble
Recycling
Foot rest
Ozonotherapy
Steps
Electromagnetic incrust stopper

aquaviva®



LAGUNA TORNADO

BASIC EQUIPMENT

Automatic water mixing and filling
Electromagnetic incrust stopper

OPTIONAL EQUIPMENT

Underwater massage
Pulsation
RGB illumination
Voice communication
Operation log

aquaviva®



ELECTRA CG

Useful bath tub capacity	320 l
Power supply / input	230 V / 50 Hz / 50 VA
Weight	126 kg
Dimensions (l x w x h)	2500 x 960 x 920 mm
Number of electrodes	9
Types of current:	Galvanic DC current, Sine, Faraday, Triangle, Saw

OPTIONAL EQUIPMENT

Underwater massage

aquaviva®

Balneological **bath tub**
Laguna®

Combined balneological and whirling **bath tub**
Laguna® Plus

Combined balneological and whirling **bath tub**
Laguna® Bubble

Combined balneological and whirling **bath tub**
Laguna® Plus Bubble

Automatic underwater and whirling **massage**
Laguna® Tornado

Whole body galvanic / diadynamic **bath**
Electra® CG



TEP

Capacity	14 - 21 l
Operating temp. in peat pack holders	40 - 45 °C
Operating temperature for paraffin	56 - 58 °C
Temperature control range	0 - 90 °C
Power supply	230 V / 50 Hz
Power input	1500 - 2 x 1500 VA

Paraffin and peat pack warmer

Tep®



SALIJET / SALIJET ECONOMY

Power supply	230 V / 50 Hz
Operating voltage	24 V DC
Power input	67 - 80 VA
Operating air pressure	0,16 - 0,18 MPa
Aerosol temperature	25 - 39 °C
Weight	10 - 12 kg
Dimensions (l x w x h)	340 x 555 x 355 mm
Timer	



SALIJET / SALIJET ECONOMY

OPTIONAL EQUIPMENT

Manual inhalator	Salijet / Salijet Economy
Nose shower	Salijet
Aerosol vibration	Salijet
Impulse treatment	Salijet

Inhalator

Salijet®

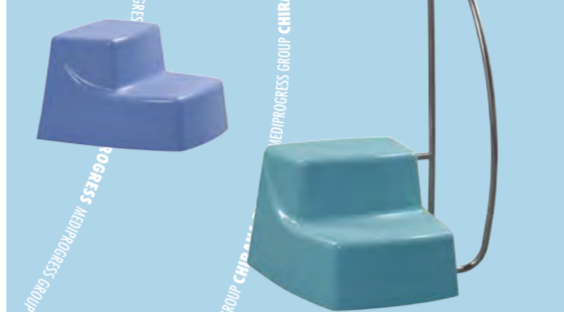


CHAIR M1, M2, M3

Uplift	560 - 750 mm
Maximum recommended load	120 kg
Weight	6 - 10,5 kg

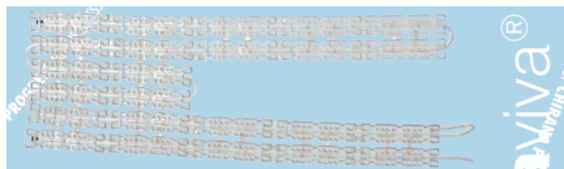
OPTIONAL EQUIPMENT

Fixed legs
Leg support
Wheels with brake



STEPS

Dimensions (l x w)	640 x 600 mm
Height	260 - 440 mm
Weight	6,9, 13,5 kg
Maximum recommended load	160 kg
Optional equipment: Handrail (h)	1270 mm



BUBBLE GRID

Air or gas consumption at 50 kPa	40 l / min
Weight	4 kg
Number of nozzles	cca 2000

Chairs / Steps / Bubble grid

Accessories



VOD 47 ML / OL

Head rest adjustment (ML only)	-35° +30°
Dimensions (l x w)	1985 x 680 mm
Height	670 mm
Weight	36 / 31 kg
Maximum recommended load	160 kg



FOLDING TABLE

Head rest adjustment	-25° +25°
Dimensions (l x w x h)	2010 x 800 x 560 mm
Weight	43 kg
Maximum recommended load	160 kg



RELAX

Power supply	230 V / 50 Hz
Power input	140 VA
Head rest adjustment	-35° +30°
Dimensions (l x w)	1985 x 680 mm
Height	490 - 925 mm
Weight	54 kg
Maximum recommended load	160 kg

Massage / Relaxation table

VOD 47 ML / OL, Relax®



NIAGARA

NIAGARA PLUS



Water supply pressure	0,3 - 0,5 MPa
Dimensions (l x w x h)	500 x 1000 x 1120 mm
Weight	46 kg
Optimal distance from patient	4 - 5 m

BASIC EQUIPMENT

- Operating pressure regulation
- Automatic cold and hot water mixing
- Analogue water temperature measurement
- Analogue massage efficiency measurement
- Each jet can be controlled separately
- Concentrated or spread water stream
- Adjustable hand rest
- Patient grip

OPTIONAL EQUIPMENT

- Circular shower
- Seat shower

Spraying desk

Niagara® Niagara® Plus



CORAL

Useful bath tub capacity	30 l
Hydrotherapy massage jets with air mixture	12 x
Power supply	230 V / 50 Hz
Power input	600 VA
Weight	65 kg
Dimensions (l x w x h)	950 x 870 x 1045 mm



CORAL LYMF0

Device for lymphatic massage

LCD display	
Power supply	3 x 400 V / 50 Hz
Weight	70 kg

OPTIONAL EQUIPMENT

- Electromagnetic incrust stopper
- Chair for the patient

Whirling bath for upper extremities

Coral® Coral® Lymfo



LASTURA / HOBBY / PROFI

Useful bath tub capacity	30 / 40 / 45 l
Hydrotherapy massage jets in 2 zones	34 / 18 / 14
Power supply	230 V / 50 Hz
Power input	800 / 800 / 600VA
Weight	65 / 71 / 52 kg
Dimensions (l x w x h)	1060 x 660 x 795 - 1445 mm
Dimensions (Profi)	880 x 760 x 775 mm

OPTIONAL EQUIPMENT

- Electromagnetic incrust stopper

Whirling bath for children/extremities

Lastura®



CASCADE PLUS

Useful bath tub capacity	165 l
Hydrotherapy massage jets with air mixture	23 x (2 zóny)
Power supply	230 V / 50 Hz
Power input	1200 VA
Weight	89 kg
Dimensions (l x w x h)	1520 x 870 x 1035 mm
Water massage jets rinsing	
Steps	

OPTIONAL EQUIPMENT

- Chromatotherapy
- Electromagnetic incrust stopper
- Built-in bubble grid with 44+1 air massage jets
- Ozonotherapy
- Air massage system drying
- Magnetotherapy
- Recycling
- Steps with handrail

Whirling bath for lower extremities

Casace® Plus



CASCADE

Useful bath tub capacity	165 l
Hydrotherapy massage jets with air mixture	23 x (3 zones)
Power supply	3 x 400 V / 50 Hz
Power input	1500 VA
Weight	94 kg
Dimensions (l x w x h)	1520 x 870 x 1035 mm
LCD display	
Water massage jets rinsing	
Steps	

OPTIONAL EQUIPMENT

- Chromatotherapy
- Semi-automatic water filling
- Electromagnetic incrust stopper
- Built-in bubble grid with 44+1 air massage jets
- Air massage system drying
- Magnetotherapy
- Recycling
- Steps with handrail

Whirling bath for upper and lower extremities

Cascade®



Current types:

- Galvanic DC current
- Sine
- Faraday
- Triangle
- Saw

Additional settings for "b" to "e" currents:

- MF monophasic, DF diphasic, CP short period, LP long period

External electrode

ELECTRA

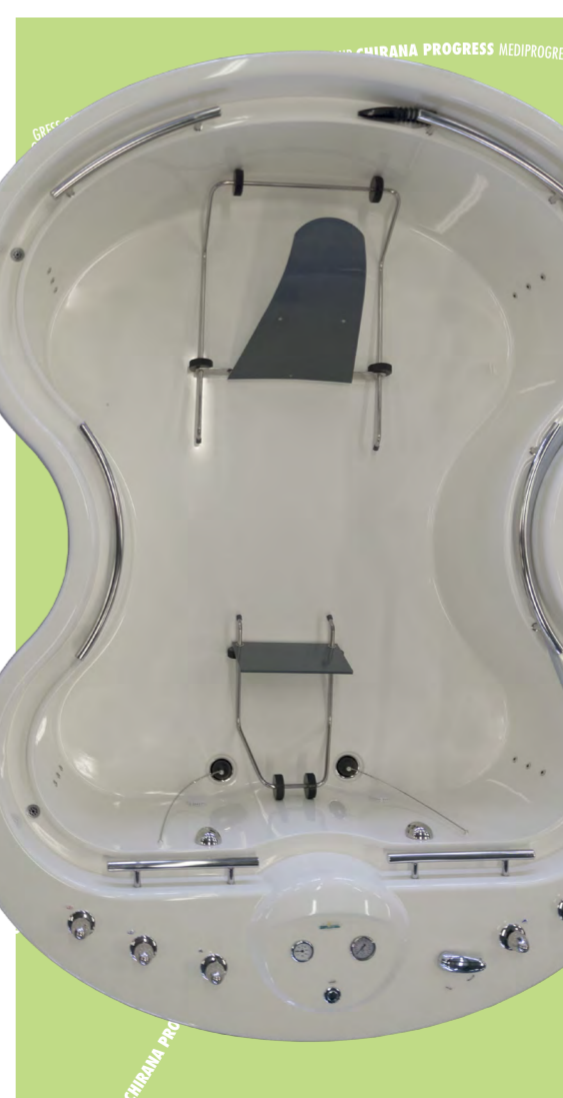
Useful hand chamber capacity	2 x 13 l
Useful leg chamber capacity	2 x 24,5 l
Power supply	230 V / 50 Hz
Power input	30 VA
Weight	56 kg
Dimensions (l x w x h)	1280 x 950 x 975 mm

OPTIONAL EQUIPMENT

- Chair for the patient

4-chamber galvanic / diadynamic bath

Electra®



HUBBARD BATH

Useful bath tub capacity	700 l
Massage hose with air mixture	
Hydrotherapy massage jets with air mixture	12x
Power supply	3 x 400 V / 50 Hz
Power input	1500 VA
Weight	220 kg
Dimensions (l x w x h)	2700 x 1930 x 980 mm

OPTIONAL EQUIPMENT

- Steps with handrail, Chromatotherapy, Built-in bubble grid, El.mag. incrust stopper, Recycling

Underwater and whirling massage

Hubbard bath



VOD 56

Useful bath tub capacity	370 l
Power supply	3 x 400 V / 50 Hz
Power input	1150 VA
Weight	150 kg
Dimensions (l x w x h)	2600 x 1000 x 1100 mm
Under water massage hose with air mixture	
Steps	

OPTIONAL EQUIPMENT

- Steps with handrail
- Electromagnetic incrust stopper

Underwater massage

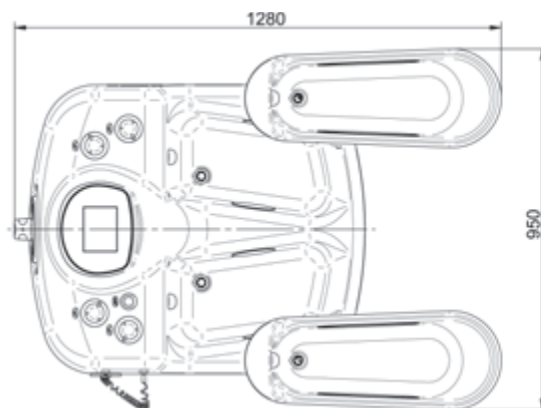
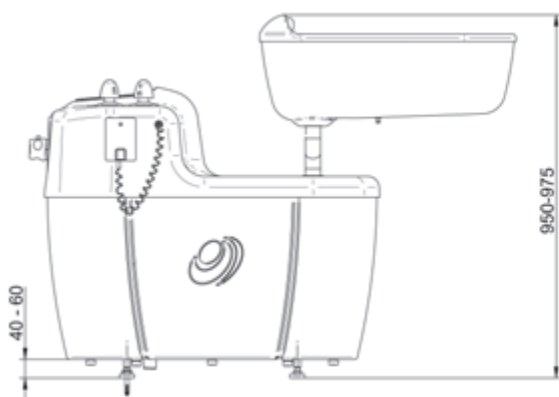
VOD 56®

Electra®



aquaviva®





Užitočný objem ručných vaničiek	2 x 13 l
Užitočný objem nožných vaničiek	2 x 24,5 l
Napájanie	230 V / 50 Hz
Príkon	50 VA
Hmotnosť	56 kg
Rozmery (d x š x v) v mm	1280 x 950 x 950

Druhy prúdov:

- galvanický
- sínusový
- diadynamický
- faradayov
- trojúhelníkový
- píllový
- rozsah križneho prúdu 0 až 30 mA
- rozsah prúdu v jednej vaničke 20 až 500 mA
- možnosť voľby polarítu elektród

Základné vybavenie:

- grafický displej s dotykovou obrazovkou
- regulácia teploty napúšťanej vody termostatickou batériou

Doplňkové vybavenie:

- stolička pre pacienta



Hand tank useful capacity	2 x 13 l
Foot tank useful capacity	2 x 24.5 l
Power supply	230 V / 50 Hz
Power input	50 VA
Weight	56 kg
Dimensions (l x w x h) mm	1280 x 950 x 950

Types of current:

- galvanic
- sine
- diadynamic
- faraday
- triangle
- saw
- cross current range 0 - 30 mA
- current range in 1 tank 20 - 500 mA
- electrode polarity selection

Basic equipment:

- graphical touchscreen
- filling water temperature adjustment by thermostatic tap

Optional equipment:

- chair for the patient



Полезный объем воды в ванне для рук	2x13л
Полезный объем воды в ванне для ног	2x24л
Питание	230В/50Гц
Мощность	50ВА
Вес	56кг
Размеры /д x ш x в/ в мм	1280 x 950 x 950

Виды токов:

- гальванический
- синусоидальный
- диадинамический
- Фарадей
- треугольное протекание
- пиловоое протекание
- диапазон перекрестного тока 0-30mA
- диапазон тока в одной ванне 20-500mA
- возможность выбора полярности электрод

Основное оснащение:

- графический дисплей с сенсорным управлением
- регуляция температуры впускаемой воды с термостатической батарией

Дополнительное оснащение:

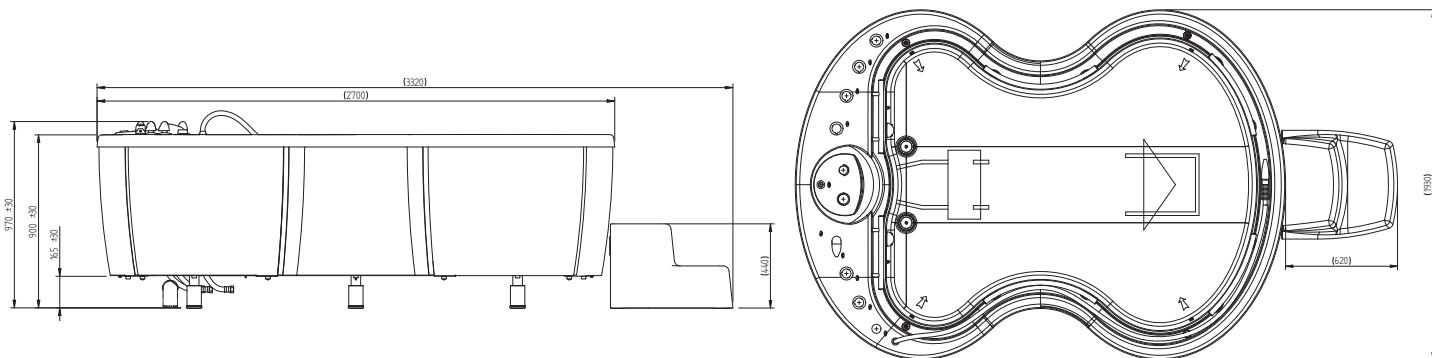
- стул для пациента

HUBBARD



aquaviva®





Max./užitočný objem vane	1235 / 700 l
Čas naplnenia/vyprázdnenia	9 / 4 min
Napájanie	3x400 V / 50 Hz
Príkon	1500 VA
Hmotnosť	220 kg
Rozmery (d x š x v) v mm	2700 x 1930 x 980
Max. tlak čerpadla	0,48 MPa
Max. prietok čerpadla	233 l/min

Základné vybavenie:

- hydromasážna hadica s reguláciou výkonu
- prisávanie vzduchu do hydromasážnych trysiek a hadice s reguláciou
- sprcha pre hygienickú očistu integrovaná v masážnej hadici
- schodík dvojstupňový

Doplňkové vybavenie:

- 12 hydromasážnych trysiek s reguláciou výkonu
- zabudovaná perlička: 140 / 60 trysiek
- chromatoterapia: 32 svetiel, 7 farieb, plynulé cyklovanie farieb, blikanie farieb, pevné nastavenie jednej farby
- pripojenie do recyklácie
- elektromagnetický odstraňovač vodného kameňa
- podpera chrbta
- podpera nôh
- schodík dvojstupňový so zábradlím



Max./useful bath tub capacity	1235 / 700 l
Filling/drainage time	9 / 4 min
Power supply	3x400 V / 50 Hz
Power input	1500 VA
Weight	220 kg
Dimensions (l x w x h) mm	2700 x 1930 x 980
Max. water pump pressure	0.48 MPa
Max. water pump flow	233 l/min

Basic equipment:

- massage hose with performance control
- air addition into massage jets and hose with performance control
- sanitary shower integrated in the massage hose
- two-stage steps

Optional equipment:

- 12 water massage jets with performance control
- built-in bubble grid: 140 / 60 jets
- chromatherapy: 32 lights, 7 colors
- connection to recycling system
- electromagnetic incrust stopper
- back rest
- leg rest
- two-stage steps with handrail



Макс./полезный объем ванны	1235 / 700 л
Время наполнения/опорожнения	9 / 4 мин
Время наполнения/опорожнения	3x400 В / 50 Гц
Питание	1500 ВА
Вес	220 кг
Размеры /д x ш x в/ в мм	2700 x 1930 x 980
Макс. давление насоса	0,48 МПа
Макс. протекание насоса	233 л/мин

Основное оснащение:

- гидромассажный шланг с регулировкой мощности
- подсосывание воздуха в гидромассажные форсунки и в массажный шланг с регулировкой
- душ для очистки встроенный в массажный шланг
- ступень двухступенчатый

Дополнительное оснащение:

- 12 гидромассажных форсунок с регулировкой мощности
- встроенная пузырька 140 / 60 форсунок
- хромотерапия: 32 освещений, 7 цветов, плавная цикляция, мигание цветов, настройка одного цвета
- подключение в рециркуляцию
- электромагнит для удаления накипи
- опора для спины
- опора для ног
- ступень двухступенчатый с перилой

Chirana Progress, s.r.o.
Vrbovská cesta 17
921 01 Piešťany, Slovakia
tel.: +421 33 79 56 211
fax.: +421 33 77 44 435
e-mail: chirana@chirana-progress.sk
www.chirana-progress.sk

dealer