

Swift Brick

Code: GSWB

Available in the following colours:

Terracotta, Buff, Antique Red, Slate Grey, Black and White

Other products from the Manthorpe Range include Cavity Trays, Cavity Closer, Loft Doors, Access Panels, Roof Ventilation, Through Wall Ventilation, Drainage Channels, Dry Fix Roofing and Air Leakage Products.



R.S. Johnston Industrial Fastening Systems
16 Diamond Road, Dromore, Co Down, BT25 1FD
Tel: +44 (0) 28 92699644 Fax: +44 (0) 28 92693498
Email General: info@rsjohnston.co.uk
Web: www.rsjohnston.co.uk

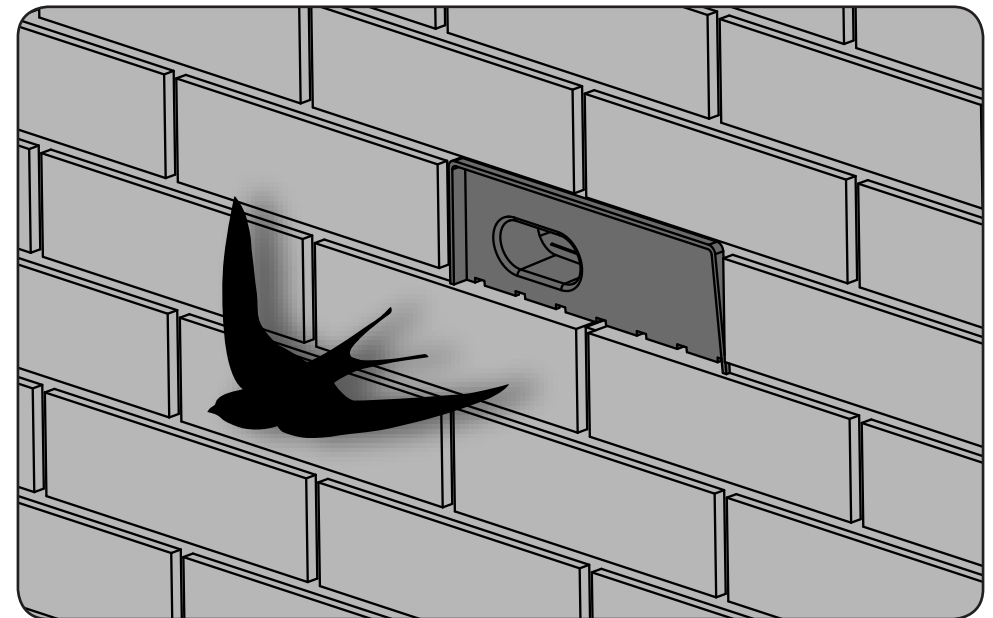
manthorpe

building products

Swift Brick

Fitting Instructions

MBP1079b



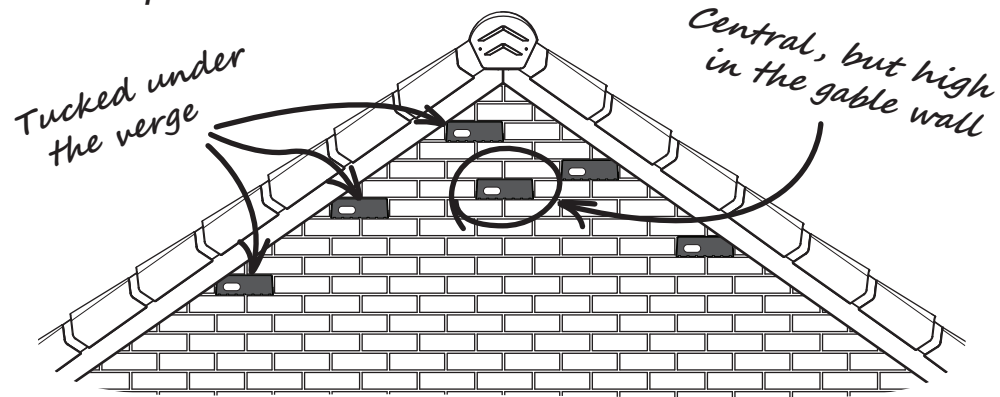
Developed in partnership with



Swift Brick Location Requirements:

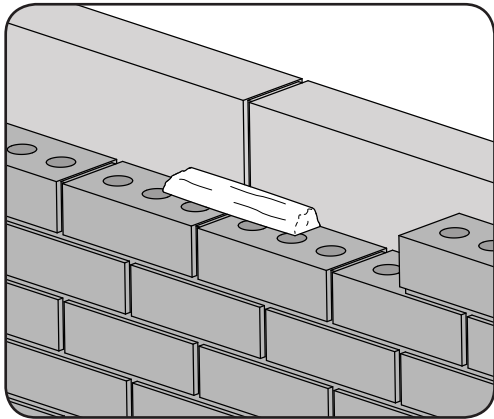
The Swift Brick should be located high within the gable wall of the property, ideally at 5 metres high and above and over the level of the insulation zone. Where possible, install in locations that are unlikely to receive large amounts of direct sunlight during the hottest times of the day, ideal places include below the overhang of the verge and barge board.

Placement options:

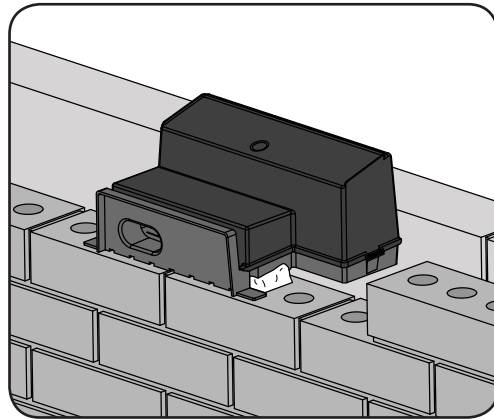


Installation

1. Brick up to the course that you require the swift brick to be on, continue to lay the course as normal until you approach the position for the product. Ensure that the two adjacent bricks are not laid.

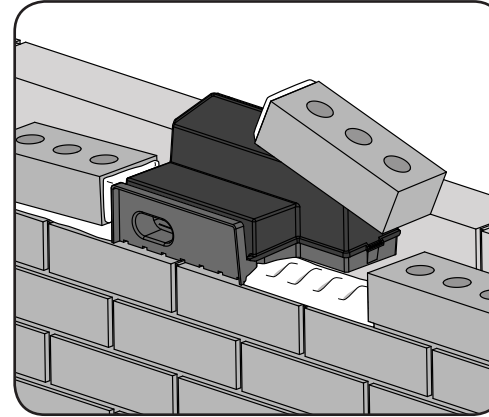


2. Lay a small bed of mortar along the back edge of the course directly below where the swift brick will sit.

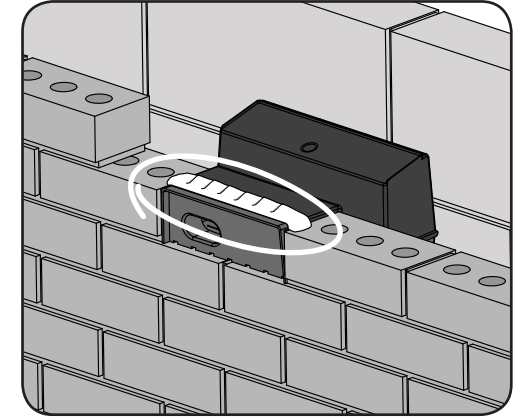


3. Bed the product into position, ensuring that the front edge is flush to the brickwork and the central drainage hole aligns with the perp joint of the course below.

4. If the internal skin of masonry is not yet up to the same level, weight the front of the product down with a brick to prevent it from rocking backward.



5. Lay the mortar bed for the adjacent bricks, butter the ends and bed them against the product on top of the side support tabs.



6. Continue bricklaying as normal, up to and over the product. Utilise the channel in the top of the product as a mortar key for the course above.

7. In areas prone to severe weather, a horizontal cavity tray such as the Manthorpe GW294/GW295 can be used above the product for additional damp proofing as shown.

