



Technical Guide

FOR INSTALLATION IN ALL US REGIONS AND CANADA

LX SERIES SPLIT-SYSTEM HEAT PUMPS

14 SEER - R-410A - 1 PHASE
1.5 THRU 5 NOMINAL TONS
MODELS: YHJD18 THRU 60



Due to continuous product improvement, specifications are subject to change without notice.

Visit us on the web at www.upgnet.com and www.york.com

Additional rating information can be found at www.ahridirectory.org

WARRANTY SUMMARY*

Standard 5-year limited parts warranty.

Standard 10-year limited compressor warranty.

Extended 10-year limited parts warranty when product is registered online within 90 days of purchase for replacement or closing for new home construction.

*Does not apply to R-22 models, 3-Phase models, or internet sales. See Limited Warranty certificate in User's Information Manual for details.

DESCRIPTION

The 14 SEER Series unit is the outdoor part of a versatile climate system. It is designed with a matching indoor coil component from Johnson Controls Unitary Products. Available for typical applications this climate system is supported with accessories and documents to serve specific functions.

FEATURES

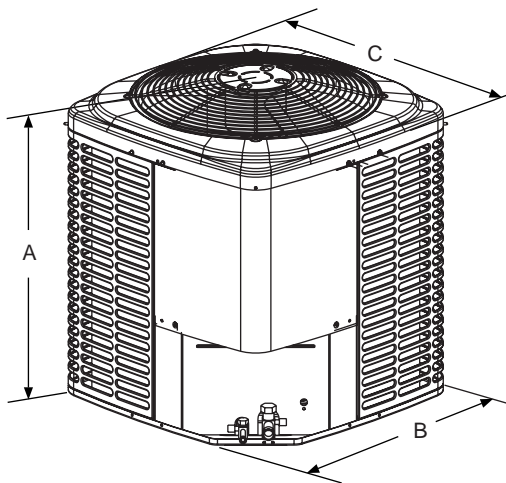
- **Small Footprint**- The compact footprint is a perfect fit for any application.
- **Quality Condenser Coils**- The coil is constructed of copper tubing and enhanced aluminum fins for increased performance.
- **Coil Protection** - Coils are protected from damage by a slotted, stamped steel coil guard.
- **Protected Compressor** - Compressors are protected internally by a high pressure relief valve and a temperature sensor, and externally by the system high and low pressure switches. A factory installed liquid line filter-drier further protects the compressor against moisture and debris.
- **Environmentally Friendly Refrigerant** - The next generation refrigerant R-410A delivers environmentally friendly performance with zero ozone depletion.
- **Durable Finish** - The cabinet is made of G90-equivalent galvanized steel, finished in a durable champagne colored powdercoat. The coated steel wire fan guard and pre-treated, galvanized steel chassis components resist corrosion and rust creep.
- **Lower Installed Cost** - Installation time and costs are reduced by easy power and control wiring connections. The unit is factory charged for a 15-foot lineset. The small base dimension means less space is required on the ground or roof.
- **Top Discharge** - Warm air from the top mounted fan is blown up, away from the structure and any landscaping. This allows compact location on multi-unit applications.
- **Low Operating Sound Level** - The upward air flow carries the normal operating noise away from the living area. The rigid top panel effectively isolates any motor sound. Isolator mounted compressor and the condenser coil muffle the normal fan motor and compressor operating sounds.
- **Low Maintenance** - Long life, permanently lubricated motor-bearings need no annual servicing.
- **Easy Service Access** - Fully exposed refrigerant connections and a single panel covering the electrical controls make for easy servicing of the unit.
- **Secured Service Valves** - Secured, re-usable service valves are provided on both the liquid and vapor sweat connections for ease of evacuating and charging.
- **Agency Listed** - Safety certified by CSA to UL 1995 / CSA 22.2. Performance certified to ANSI/AHRI Standard 210/240 in accordance with the Unitary Small Equipment certification program.

Physical and Electrical Data

MODEL		YHJD18 S41S7	YHJD24 S41S7	YHJD30 S41S7	YHJD36 S41S7	YHJD42 S41S7	YHJD48 S41S7	YHJD60 S41S7
Unit Supply Voltage		208-230V, 1f, 60Hz						
Normal Voltage Range ¹		187 to 252						
Minimum Circuit Ampacity		11.9	11.2	14.1	19.7	20.9	20.9	33.0
Max. Overcurrent Device Amps ²		20	15	20	30	35	35	60
Min. Overcurrent Device Amps ³		15	15	15	20	25	25	35
Compressor	Type	Scroll	Recip	Recip	Recip	Recip	Recip	Scroll
	Rated Load Amps	9.0	8.3	10.6	14.7	15.7	15.7	26.4
	Locked Rotor Amps	48.0	43.0	54.0	74.0	88.0	84.0	134.0
Crankcase Heater		No	Yes	Yes	Yes	Yes	Yes	No
Factory External Discharge Muffler		Yes	No	No	No	No	Yes	Yes
Factory External Check Valve		No	No	No	No	No	Yes	No
HS Kit Required with TXV ⁴		No	Yes**	Yes**	Yes	Yes	No	No
Fan Diameter Inches		24	24	24	24	24	24	24
Fan Motor	Rated HP	1/10	1/8	1/4	1/4	1/4	1/4	1/4
	Rated Load Amps	0.70	0.80	1.3	1.3	1.3	1.3	1.3
	Nominal RPM	825	1075	850	850	850	850	850
	Nominal CFM	2000	2900	3800	3800	3800	3600	3550
Coil	Face Area Sq. Ft.	15.7	18.3	21.0	23.6	23.6	23.6	23.6
	Rows Deep	1	1	1	1	1	2	2
	Fins / Inch	22	22	22	22	22	18	18
Liquid Line Set OD (Field Installed)		3/8	3/8	3/8	3/8	3/8	3/8	3/8
Vapor Line Set OD (Field Installed)		3/4	3/4	3/4	3/4	7/8	7/8	1-1/8*
Unit Charge (Lbs. - Oz.) ⁵		6 - 15	9 - 5	8 - 13	10 - 14	10 - 11	16 - 8	16 - 12
Charge Per Foot, Oz.		0.62	0.62	0.62	0.62	0.67	0.67	0.75
Operating Weight Lbs.		172	194	206	218	218	285	290

** These models are shipped with a hard start kit installed at the factory.

1. Rated in accordance with AHRI Standard 110-2012, utilization range "A".
2. Dual element fuses or HACR circuit breaker. Maximum allowable overcurrent protection.
3. Dual element fuses or HACR circuit breaker. Minimum recommended overcurrent protection.
4. See Hard Start Kit Accessory Installation Manual for Hard Start Kit part number for each model.
5. The Unit Charge is correct for the outdoor unit, smallest matched indoor unit, and 15 feet of refrigerant tubing. For tubing lengths other than 15 feet, add or subtract the amount of refrigerant, using the difference in actual lineset length (not equivalent length) multiplied by the per foot value.



Unit Model	Dimensions (Inches)			Refrigerant Connection Service Valve Size	
	A	B	C	Liquid	Vapor
18	28-1/4	34	34	3/8	3/4
24	32-1/4	34	34		
30	36-1/4	34	34		
36	40-1/4	34	34		7/8
42	40-1/4	34	34		
48	40-1/4	34	34		
60	40-1/4	34	34	7/8 *	

All dimensions are in inches and are subject to change without notice.

Overall height is from bottom of basepan to top of fan guard.

Overall length and width include screw heads.

* Adapter fitting must be field installed for the required 1-1/8" line set.

System Charge for Various Matched Systems

Outdoor Unit	YHJD18 S41S7	YHJD24 S41S7	YHJD30 S41S7	YHJD36 S41S7	YHJD42 S41S7	YHJD48 S41S7	YHJD60 S41S7
Required Orifice or TXV ^{1,2}	.051/4F1	.059/4N1	.063/4G1	.071/4H1	.075/4J1	4K1	4K1
Indoor Unit ^{3,4,5}	Additional Charge, Oz						
AHE22B	.051 / TXV + 0	–	–	–	–	–	–
AHE24B	.051 / TXV + 0	.059 / TXV + 0	–	–	–	–	–
AHE30B	.051 / TXV + 0	.059 / TXV + 0	.063 / TXV + 0	–	–	–	–
AHE36C	–	–	.063 / TXV + 5	.071 / TXV + 0	–	–	–
AHE42D	–	–	–	.071 / TXV + 5	.075 / TXV + 0	–	–
AHE48D	–	–	–	–	.075 / TXV + 8	TXV + 0	–
AHE60D	–	–	–	–	–	TXV + 48	TXV + 0
AHV24B	.051 / TXV + 0	.059 / TXV + 0	–	–	–	–	–
AHV30B	.051 / TXV + 0	.059 / TXV + 0	.063 / TXV + 0	–	–	–	–
AHV36C	–	.059 / TXV + 12	.063 / TXV + 5	.071 / TXV + 0	–	–	–
AHV42D	–	–	–	.071 / TXV + 5	.075 / TXV + 0	–	–
AHV48D	–	–	–	–	.075 / TXV + 8	TXV + 0	–
AHV60D	–	–	–	–	–	TXV + 48	TXV + 0
FC/MC/PC24	.051 / TXV + 0	–	–	–	–	–	–
FC/MC/PC30	.051 / TXV + 0	–	–	–	–	–	–
FC/MC/PC32	.051 / TXV + 0	.059 / TXV + 0	.063 / TXV + 0	–	–	–	–
FC/MC/PC35	.051 / TXV + 0	.059 / TXV + 0	.063 / TXV + 0	–	–	–	–
FC/MC/PC37	–	.059 / TXV + 12	.063 / TXV + 5	.071 / TXV + 0	–	–	–
FC/MC/PC43	–	.059 / TXV + 12	.063 / TXV + 5	.071 / TXV + 0	–	–	–
FC/MC/PC48	–	–	–	.071 / TXV + 5	.075 / TXV + 0	–	–
FC/MC/PC60	–	–	–	–	.075 / TXV + 8	TXV + 0	–
FC/MC62	–	–	–	–	–	TXV + 48	TXV + 0
FC64	–	–	–	–	–	–	TXV + 23

Some of the combinations shown in the above System Charge table require Advanced Main Air Circulating Fan indoor product. For approved coil only matches, please see the "COOLING CAPACITY - Upflow, Downflow & Horizontal Furnaces and Coils" table.

FOOTNOTES:

1. For applications requiring a TXV use S1-1TVM*** series kit.
2. Approved orifice(s) shipped with outdoor unit.
3. Systems matched with furnaces or air handlers not equipped with blower-off delays may require blower Time Delay Kit S1-2FD06700224.
4. PC coils cannot be used in downflow or horizontal applications. FC coils cannot be used in horizontal applications.
5. Refer to Cooling and Heating Performance Data tables for actual performance for specified system matches.

PROCEDURES:

1. Unit factory charge listed on the unit nameplate includes refrigerant for the outdoor unit, the smallest matched indoor unit, and 15 feet of interconnecting line tubing.
2. Verify the TXV or orifice and additional charge required for specific matched indoor unit in the system using the above table.
3. Add additional charge for the amount of interconnecting line tubing greater than 15 feet at the rate specified in Physical and Electrical Data Table.
4. For indoor matches requiring additional charge, the refrigerant needs to be weighed in for specific matched indoor unit and actual lineset length.
5. Permanently mark the unit nameplate with the total system charge. Total System Charge = Base Charge (as shipped) + charge adder for matched indoor unit + charge adder for actual lineset length.

COOLING CAPACITY - With Air Handler Coils

UNIT MODEL	AIR HANDLER		COIL 1 MODEL	COOLING				
	MODEL	WIDTH		RATED CFM	NET MBH		SEER	EER
					TOTAL	SENS.		
14 SEER HP WITH AIR HANDLERS								
YHJD18S41S7	AHE22B	17.5	-	605	18.0	13.3	14.00	12.00
YHJD18S41S7	AHE24B	17.5	-	585	18.0	13.4	14.00	12.00
YHJD18S41S7	AHE30B	17.5	-	585	18.0	13.4	14.00	12.00
YHJD18S41S7	AHV24B	17.5	-	580	18.0	13.2	14.00	12.00
YHJD18S41S7	AHV30B	17.5	-	670	18.0	13.4	14.00	12.00
YHJD18S41S7	MV12B	17.5	FC/MC24B	600	18.0	14.6	14.00	12.00
YHJD18S41S7	MV12B	17.5	FC/MC30B	600	18.0	13.3	14.00	12.00
YHJD18S41S7	MV12B	17.5	FC/MC35B	600	18.0	13.4	14.00	12.00
YHJD18S41S7	MX12BN21	17.5	FC/MC24B	600	18.0	14.0	14.00	12.00
YHJD18S41S7	MX12BN21	17.5	FC/MC30B	600	18.0	13.3	14.00	12.00
YHJD18S41S7	MX12BN21	17.5	FC/MC35B	600	18.0	13.3	14.00	12.00
YHJD24S41S7	AHE24B	17.5	-	795	24.0	17.7	14.00	12.00
YHJD24S41S7	AHE30B	17.5	-	795	24.0	17.9	14.00	12.00
YHJD24S41S7	AHV24B	17.5	-	710	23.6	17.9	14.00	12.00
YHJD24S41S7	AHV30B	17.5	-	775	24.0	17.0	14.00	12.00
YHJD24S41S7	MV12B	17.5	FC/MC35B	600	22.8	17.9	14.00	12.00
YHJD24S41S7	MV12B	17.5	FC/MC43B	800	24.0	15.7	14.00	12.00
YHJD24S41S7	MX12BN21	17.5	FC/MC35B	600	22.8	15.6	14.00	12.00
YHJD24S41S7	MX12BN21	17.5	FC/MC43B	800	24.0	18.1	14.00	12.00
YHJD24S41S7	MX16CN21	21.0	FC/MC35C	625	22.6	18.1	13.00	11.50
YHJD24S41S7	MX16CN21	21.0	FC/MC43C	800	24.0	18.0	14.00	12.00
YHJD30S41S7	AHE30B	17.5	-	985	30.0	22.2	14.00	12.00
YHJD30S41S7	AHE36C	21.0	-	1000	30.0	22.0	14.00	12.00
YHJD30S41S7	AHV30B	17.5	-	775	28.8	23.0	14.00	12.00
YHJD30S41S7	AHV36C	21.0	-	895	30.0	19.9	14.00	12.00
YHJD30S41S7	MV12B	17.5	FC/MC35B	1010	30.0	21.8	14.00	12.00
YHJD30S41S7	MV12B	17.5	FC/MC43B	1000	30.0	23.0	14.00	12.00
YHJD30S41S7	MV16C	21.0	FC/MC35C	1070	30.0	23.0	14.00	12.00
YHJD30S41S7	MV16C	21.0	FC/MC43C	1000	30.0	23.0	14.00	12.00
YHJD30S41S7	MX12BN21	17.5	FC/MC35B	975	30.0	22.2	14.00	12.00
YHJD30S41S7	MX12BN21	17.5	FC/MC43B	975	30.0	22.2	14.00	12.00
YHJD30S41S7	MX16CN21	21.0	FC/MC35C	1000	30.0	23.2	14.00	12.00
YHJD30S41S7	MX16CN21	21.0	FC/MC43C	950	30.0	22.2	14.00	12.00
YHJD36S41S7	AHE36C	21.0	-	1190	36.0	27.4	14.00	12.00
YHJD36S41S7	AHE42D	24.5	-	1180	36.0	27.6	14.00	12.00
YHJD36S41S7	AHV36C	24.5	-	1215	36.0	27.6	14.00	12.00
YHJD36S41S7	AHV42D	21.0	-	1180	36.0	27.6	14.00	12.00
YHJD36S41S7	MV12B	17.5	FC/MC43B	1225	36.0	27.6	14.00	12.00
YHJD36S41S7	MV12D	24.5	FC/MC48D	1160	36.0	27.4	14.00	12.00
YHJD36S41S7	MV16C	21.0	FC/MC43C	1200	36.0	27.6	14.00	12.00
YHJD36S41S7	MV16C	21.0	FC/MC48C	1200	36.0	29.2	14.00	12.00
YHJD36S41S7	MV20D	24.5	FC/MC48D	1300	36.0	27.4	14.00	12.00
YHJD36S41S7	MX12BN21	17.5	FC/MC43B	1125	35.6	27.4	14.00	12.00
YHJD36S41S7	MX12DN21	24.5	FC/MC48D	1125	36.0	27.2	14.00	12.00
YHJD36S41S7	MX16CN21	21.0	FC/MC43C	1200	36.0	27.4	14.00	12.00
YHJD36S41S7	MX16CN21	21.0	FC/MC48C	1200	35.8	26.4	14.00	12.00
YHJD36S41S7	MX20DN21	24.5	FC/MC48D	1200	36.0	27.4	14.00	12.00
YHJD42S41S7	AHE42D	24.5	-	1575	42.0	31.6	14.00	12.00
YHJD42S41S7	AHE48D	24.5	-	1480	41.0	33.8	14.00	11.50
YHJD42S41S7	AHV42D	24.5	-	1385	41.5	32.0	14.00	12.00
YHJD42S41S7	AHV48D	24.5	-	1300	39.5	31.8	14.00	11.50
YHJD42S41S7	MV16C	21.0	FC/MC48C	1400	41.5	31.8	14.00	12.00
YHJD42S41S7	MV20D	24.5	FC/MC48D	1470	42.0	32.8	14.00	12.00
YHJD42S41S7	MV20D	24.5	FC/MC60D	1400	42.0	31.8	14.00	12.00
YHJD42S41S7	MX16CN21	21.0	FC/MC48C	1400	41.0	31.8	14.00	12.00
YHJD42S41S7	MX16CN21	21.0	FC60C	1400	40.0	32.8	14.00	11.35

For Notes see Page 5

COOLING CAPACITY - With Air Handler Coils (Continued)

UNIT MODEL	AIR HANDLER		COIL 1 MODEL	COOLING				
	MODEL	WIDTH		RATED CFM	NET MBH		SEER	EER
					TOTAL	SENS.		
14 SEER HP WITH AIR HANDLERS								
YHJD42S41S7	MX20DN21	24.5	FC/MC48D	1375	41.5	31.6	14.00	12.00
YHJD42S41S7	MX20DN21	24.5	FC/MC60D	1375	40.5	31.8	14.00	12.00
YHJD48S41S7	AHE48D	24.5	—	1600	46.0	35.2	14.00	12.00
YHJD48S41S7	AHE60D	24.5	—	1550	48.0	35.6	14.00	12.00
YHJD48S41S7	AHV48D	24.5	—	1300	46.0	32.4	14.00	12.00
YHJD48S41S7	AHV60D	24.5	—	1340	47.0	33.4	14.00	12.00
YHJD48S41S7	MV16C	21.0	FC60C	1400	46.0	35.0	14.00	12.00
YHJD48S41S7	MV20D	24.5	FC/MC60D	1400	46.0	33.4	14.00	12.00
YHJD48S41S7	MV20D	24.5	FC/MC62D	1400	47.5	33.2	14.00	12.00
YHJD48S41S7	MX16CN21	21.0	FC60C	1400	46.0	33.2	14.00	11.75
YHJD48S41S7	MX20DN21	24.5	FC/MC60D	1375	46.0	33.2	14.00	12.00
YHJD48S41S7	MX20DN21	24.5	FC/MC62D	1400	47.5	34.0	14.00	12.00
YHJD60S41S7	AHE60D	24.5	—	1835	57.0	42.5	14.00	12.00
YHJD60S41S7	AHV60D	24.5	—	1635	57.0	40.5	14.00	12.00
YHJD60S41S7	MV20D	24.5	FC/MC62D	1855	57.0	42.5	14.00	12.00
YHJD60S41S7	MV20D	24.5	FC64D	1855	57.0	42.0	14.00	12.00
YHJD60S41S7	MX20DN21	24.5	FC/MC62D	1750	57.0	43.5	14.00	12.00
YHJD60S41S7	MX20DN21	24.5	FC64D	1750	57.0	43.0	14.00	12.00

Rated in accordance with DOE test procedures (Federal Register 12-27-79 and 3-18-88) and ANSI/AHRI Standard 210/240.

Cooling MBH based on 80°F entering air temperature, 50% RH (Relative Humidity), and rated air flow.

EER (Energy Efficiency Ratio) is the total cooling output in BTUs at 95°F outdoor ambient divided by the total electric power in watt-hours at those conditions.

SEER (Seasonal Energy Efficiency Ratio) is the total cooling output in BTUs during a normal annual usage period for cooling divided by the total electric power input in watt-hours during the same period.

1. MC coils available with a factory installed horizontal drain pan. See price pages for specific model number.

— = Not applicable.

MA Modular Air Handlers use Coil Only Ratings.

COOLING CAPACITY - With High Efficiency Motor Furnaces

UNIT MODEL	FURNACE		COIL ¹ MODEL	COOLING				
	MODEL	WIDTH		RATED CFM	NET MBH		SEER	EER
					TOTAL	SENS.		
14 SEER HP WITH HIGH EFFICIENCY MOTOR FURNACES²								
YHJD18S41S7	T*(8,L)V*A12	14.5	FC/MC/PC24A	650	18.0	13.4	14.00	12.00
YHJD18S41S7	T*(8,L)V*A12	14.5	FC/MC/PC30A	650	18.0	12.9	14.00	12.00
YHJD18S41S7	T*(8,L)V*A12	14.5	FC/MC/PC32A	620	18.0	13.1	14.00	12.00
YHJD18S41S7	T*(8,L)V*B12	17.5	FC/MC/PC24B	600	18.0	13.1	14.00	12.00
YHJD18S41S7	T*(8,L)V*B12	17.5	FC/MC/PC30B	600	18.0	13.5	14.00	12.00
YHJD18S41S7	T*(8,L)V*B12	17.5	FC/MC/PC35B	630	18.0	13.8	14.00	12.00
YHJD18S41S7	T*(8,L)V*C16	21.0	FC/MC/PC35C	645	18.0	13.4	14.00	12.00
YHJD18S41S7	T*9V*A10	14.5	FC/MC/PC24A	575	18.0	13.3	14.00	12.00
YHJD18S41S7	T*9V*A10	14.5	FC/MC/PC30A	575	18.0	13.3	14.00	12.00
YHJD18S41S7	T*9V*A10	14.5	FC/MC/PC32A	580	18.0	13.2	14.00	12.00
YHJD18S41S7	T*9V*B12	17.5	FC/MC/PC24B	610	18.0	13.3	14.00	12.00
YHJD18S41S7	T*9V*B12	17.5	FC/MC/PC30B	610	18.0	13.5	14.00	12.00
YHJD18S41S7	T*9V*B12	17.5	FC/MC/PC35B	570	18.0	13.8	14.00	12.00
YHJD18S41S7	T*9V*C16	21.0	FC/MC/PC35C	645	18.0	14.1	14.00	12.00
YHJD18S41S7	TM8X060A12MP11	14.5	FC/MC/PC24A	600	18.0	13.1	14.00	12.00
YHJD18S41S7	TM8X060A12MP11	14.5	FC/MC/PC30A	600	18.0	13.4	14.00	12.00
YHJD18S41S7	TM8X060A12MP11	14.5	FC/MC/PC32A	600	18.0	13.1	14.00	12.00
YHJD18S41S7	TM8X080B12MP11	17.5	FC/MC/PC24B	600	18.0	13.4	14.00	12.00
YHJD18S41S7	TM8X080B12MP11	17.5	FC/MC/PC30B	600	18.0	13.4	14.00	12.00
YHJD18S41S7	TM8X080B12MP11	17.5	FC/MC/PC35B	600	18.0	13.1	14.00	12.00
YHJD18S41S7	TM8X080C16MP11	21.0	FC/MC/PC35C	600	18.0	13.7	14.00	12.00
YHJD18S41S7	TM8X100C16MP11	21.0	FC/MC/PC35C	600	18.0	13.2	14.00	12.00
YHJD18S41S7	TM9E040A10MP11	14.5	FC/MC/PC32A	600	18.0	13.1	14.00	12.00
YHJD18S41S7	TM9E060B12MP11	17.5	FC/MC/PC24B	600	18.0	12.9	14.00	12.00
YHJD18S41S7	TM9E060B12MP11	17.5	FC/MC/PC30B	600	18.0	13.1	14.00	12.00
YHJD18S41S7	TM9E060B12MP11	17.5	FC/MC/PC35B	600	18.0	13.4	14.00	12.00
YHJD18S41S7	TM9E080B12MP11	17.5	FC/MC/PC24B	600	18.0	12.9	14.00	12.00
YHJD18S41S7	TM9E080B12MP11	17.5	FC/MC/PC30B	600	18.0	13.1	14.00	12.00
YHJD18S41S7	TM9E080B12MP11	17.5	FC/MC/PC35B	600	18.0	13.4	14.00	12.00
YHJD18S41S7	TM9E080C16MP11	21.0	FC/MC/PC35C	600	18.0	13.2	14.00	12.00
YHJD18S41S7	TM9E100C16MP11	21.0	FC/MC/PC35C	600	18.0	13.9	14.00	12.00
YHJD18S41S7	TMLX060A12MP11	14.5	FC/MC/PC24A	600	18.0	13.1	14.00	12.00
YHJD18S41S7	TMLX060A12MP11	14.5	FC/MC/PC30A	600	18.0	13.1	14.00	12.00
YHJD18S41S7	TMLX060A12MP11	14.5	FC/MC/PC32A	600	18.0	13.4	14.00	12.00
YHJD18S41S7	TMLX080B12MP11	17.5	FC/MC/PC24B	600	18.0	13.1	14.00	12.00
YHJD18S41S7	TMLX080B12MP11	17.5	FC/MC/PC30B	600	18.0	13.4	14.00	12.00
YHJD18S41S7	TMLX080B12MP11	17.5	FC/MC/PC35B	600	18.0	13.4	14.00	12.00
YHJD18S41S7	TMLX080C16MP11	21.0	FC/MC/PC35C	600	18.0	13.2	14.00	12.00
YHJD18S41S7	TMLX100C16MP11	21.0	FC/MC/PC35C	600	18.0	13.2	14.00	12.00
YHJD18S41S7	Y*(8,L)C*A12	14.5	FC/MC/PC24A	650	18.0	13.4	14.00	12.00
YHJD18S41S7	Y*(8,L)C*A12	14.5	FC/MC/PC30A	650	18.0	12.9	14.00	12.00
YHJD18S41S7	Y*(8,L)C*A12	14.5	FC/MC/PC32A	620	18.0	13.1	14.00	12.00
YHJD18S41S7	Y*(8,L)C*B12	17.5	FC/MC/PC24B	600	18.0	13.1	14.00	12.00
YHJD18S41S7	Y*(8,L)C*B12	17.5	FC/MC/PC30B	600	18.0	13.5	14.00	12.00
YHJD18S41S7	Y*(8,L)C*B12	17.5	FC/MC/PC35B	630	18.0	13.8	14.00	12.00
YHJD18S41S7	Y*(8,L)C*C16	21.0	FC/MC/PC35C	645	18.0	13.4	14.00	12.00
YHJD18S41S7	Y*9C*B12	17.5	FC/MC/PC24B	610	18.0	13.3	14.00	12.00
YHJD18S41S7	Y*9C*B12	17.5	FC/MC/PC30B	610	18.0	13.5	14.00	12.00
YHJD18S41S7	Y*9C*B12	17.5	FC/MC/PC35B	570	18.0	13.8	14.00	12.00
YHJD18S41S7	Y*9C*C16	21.0	FC/MC/PC35C	645	18.0	14.1	14.00	12.00
YHJD24S41S7	T*(8,L)V*A12	14.5	FC/MC/PC32A	620	23.0	18.0	14.00	12.00
YHJD24S41S7	T*(8,L)V*A12	14.5	FC/MC/PC37A	765	24.0	15.7	14.00	12.00
YHJD24S41S7	T*(8,L)V*B12	17.5	FC/MC/PC35B	630	23.0	15.6	14.00	12.00
YHJD24S41S7	T*(8,L)V*B12	17.5	FC/MC/PC43B	790	24.0	15.6	14.00	12.00
YHJD24S41S7	T*(8,L)V*C16	21.0	FC/MC/PC35C	645	23.4	15.7	14.00	12.00
YHJD24S41S7	T*(8,L)V*C16	21.0	FC/MC/PC43C	770	24.0	16.0	14.00	12.00

For Notes see Page 11

COOLING CAPACITY - With High Efficiency Motor Furnaces (Continued)

UNIT MODEL	FURNACE		COIL ¹ MODEL	COOLING				
	MODEL	WIDTH		RATED CFM	NET MBH		SEER	EER
					TOTAL	SENS.		
14 SEER HP WITH HIGH EFFICIENCY MOTOR FURNACES²								
YHJD24S41S7	T*(8,L)V*C20	21.0	FC/MC/PC35C	755	24.0	15.7	14.00	12.00
YHJD24S41S7	T*(8,L)V*C20	21.0	FC/MC/PC43C	740	24.0	18.1	14.00	12.00
YHJD24S41S7	T*9V*B12	17.5	FC/MC/PC35B	570	22.6	17.9	14.00	12.00
YHJD24S41S7	T*9V*B12	17.5	FC/MC/PC43B	800	24.0	18.0	14.00	12.00
YHJD24S41S7	T*9V*C16	21.0	FC/MC/PC35C	645	23.4	18.1	14.00	12.00
YHJD24S41S7	T*9V*C16	21.0	FC/MC/PC43C	810	24.0	16.3	14.00	12.00
YHJD24S41S7	T*9V*C20	21.0	FC/MC/PC35C	755	24.0	17.8	14.00	12.00
YHJD24S41S7	T*9V*C20	21.0	FC/MC/PC43C	890	24.0	18.2	14.00	12.00
YHJD24S41S7	TM8X060A12MP11	14.5	FC/MC/PC37A	800	24.0	17.9	14.00	12.00
YHJD24S41S7	TM8X080B12MP11	17.5	FC/MC/PC43B	775	24.0	17.8	14.00	12.00
YHJD24S41S7	TM8X080C16MP11	21.0	FC/MC/PC43C	800	24.0	18.1	14.00	12.00
YHJD24S41S7	TM8X100C16MP11	21.0	FC/MC/PC43C	800	24.0	15.6	14.00	12.00
YHJD24S41S7	TM9E040A10MP11	14.5	FC/MC/PC37A	800	24.0	15.5	14.00	12.00
YHJD24S41S7	TM9E060B12MP11	17.5	FC/MC/PC43B	800	24.0	15.7	14.00	12.00
YHJD24S41S7	TM9E080B12MP11	17.5	FC/MC/PC43B	800	24.0	17.8	14.00	12.00
YHJD24S41S7	TM9E080C16MP11	21.0	FC/MC/PC35C	600	22.8	15.5	14.00	12.00
YHJD24S41S7	TM9E080C16MP11	21.0	FC/MC/PC43C	600	23.0	17.9	14.00	12.00
YHJD24S41S7	TM9E100C16MP11	21.0	FC/MC/PC35C	600	22.8	18.0	14.00	12.00
YHJD24S41S7	TM9E100C16MP11	21.0	FC/MC/PC43C	600	23.0	17.7	14.00	12.00
YHJD24S41S7	TM9E100C20MP11	21.0	FC/MC/PC43C	800	24.0	17.9	14.00	12.00
YHJD24S41S7	TMLX060A12MP11	14.5	FC/MC/PC37A	800	24.0	17.9	14.00	12.00
YHJD24S41S7	TMLX080B12MP11	17.5	FC/MC/PC43B	775	24.0	18.0	14.00	12.00
YHJD24S41S7	TMLX080C16MP11	21.0	FC/MC/PC43C	800	24.0	17.7	14.00	12.00
YHJD24S41S7	TMLX100C16MP11	21.0	FC/MC/PC43C	800	24.0	17.9	14.00	12.00
YHJD24S41S7	Y*(8,L)C*A12	14.5	FC/MC/PC32A	620	23.0	18.0	14.00	12.00
YHJD24S41S7	Y*(8,L)C*A12	14.5	FC/MC/PC37A	765	24.0	15.7	14.00	12.00
YHJD24S41S7	Y*(8,L)C*B12	17.5	FC/MC/PC35B	630	23.0	15.6	14.00	12.00
YHJD24S41S7	Y*(8,L)C*B12	17.5	FC/MC/PC43B	790	24.0	15.6	14.00	12.00
YHJD24S41S7	Y*(8,L)C*C16	21.0	FC/MC/PC35C	645	23.4	15.7	14.00	12.00
YHJD24S41S7	Y*(8,L)C*C16	21.0	FC/MC/PC43C	770	24.0	16.0	14.00	12.00
YHJD24S41S7	Y*(8,L)C*C20	21.0	FC/MC/PC35C	755	24.0	15.7	14.00	12.00
YHJD24S41S7	Y*(8,L)C*C20	21.0	FC/MC/PC43C	740	24.0	18.1	14.00	12.00
YHJD24S41S7	Y*9C*B12	17.5	FC/MC/PC35B	570	22.6	17.9	14.00	12.00
YHJD24S41S7	Y*9C*B12	17.5	FC/MC/PC43B	800	24.0	18.0	14.00	12.00
YHJD24S41S7	Y*9C*C16	21.0	FC/MC/PC35C	645	23.4	18.1	14.00	12.00
YHJD24S41S7	Y*9C*C16	21.0	FC/MC/PC43C	810	24.0	16.3	14.00	12.00
YHJD24S41S7	Y*9C*C20	21.0	FC/MC/PC35C	755	24.0	17.8	14.00	12.00
YHJD24S41S7	Y*9C*C20	21.0	FC/MC/PC43C	890	24.0	18.2	14.00	12.00
YHJD30S41S7	T*(8,L)V*A12	14.5	FC/MC/PC32A	755	28.8	19.3	14.00	12.00
YHJD30S41S7	T*(8,L)V*A12	14.5	FC/MC/PC37A	950	30.0	22.2	14.00	12.00
YHJD30S41S7	T*(8,L)V*B12	17.5	FC/MC/PC43B	1045	30.0	22.2	14.00	12.00
YHJD30S41S7	T*(8,L)V*C16	21.0	FC/MC/PC35C	985	30.0	23.0	14.00	12.00
YHJD30S41S7	T*(8,L)V*C16	21.0	FC/MC/PC43C	1035	30.0	22.2	14.00	12.00
YHJD30S41S7	T*(8,L)V*C20	21.0	FC/MC/PC35C	1035	30.0	22.2	14.00	12.00
YHJD30S41S7	T*(8,L)V*C20	21.0	FC/MC/PC43C	1025	30.0	23.0	14.00	12.00
YHJD30S41S7	T*9V*B12	17.5	FC/MC/PC43B	1035	30.0	23.0	14.00	12.00
YHJD30S41S7	T*9V*C16	21.0	FC/MC/PC35C	1005	30.0	23.0	14.00	12.00
YHJD30S41S7	T*9V*C16	21.0	FC/MC/PC43C	1030	30.0	19.9	14.00	12.00
YHJD30S41S7	T*9V*C20	21.0	FC/MC/PC35C	985	30.0	22.0	14.00	12.00
YHJD30S41S7	T*9V*C20	21.0	FC/MC/PC43C	995	30.0	22.0	14.00	12.00
YHJD30S41S7	TM8X080B12MP11	17.5	FC/MC/PC35B	950	29.8	21.8	14.00	12.00
YHJD30S41S7	TM8X080B12MP11	17.5	FC/MC/PC43B	975	30.0	21.6	14.00	12.00
YHJD30S41S7	TM8X080C16MP11	21.0	FC/MC/PC35C	975	30.0	22.2	14.00	12.00
YHJD30S41S7	TM8X080C16MP11	21.0	FC/MC/PC43C	950	30.0	22.6	14.00	12.00
YHJD30S41S7	TM8X100C16MP11	21.0	FC/MC/PC35C	975	30.0	22.4	14.00	12.00
YHJD30S41S7	TM8X100C16MP11	21.0	FC/MC/PC43C	950	30.0	21.8	14.00	12.00

For Notes see Page 11

COOLING CAPACITY - With High Efficiency Motor Furnaces (Continued)

UNIT MODEL	FURNACE		COIL ¹ MODEL	COOLING				
	MODEL	WIDTH		RATED CFM	NET MBH		SEER	EER
					TOTAL	SENS.		
14 SEER HP WITH HIGH EFFICIENCY MOTOR FURNACES²								
YHJD30S41S7	TM8X100C20MP11	21.0	FC/MC/PC35C	1000	30.0	22.2	14.00	12.00
YHJD30S41S7	TM8X100C20MP11	21.0	FC/MC/PC43C	1000	30.0	22.4	14.00	12.00
YHJD30S41S7	TM8X120C20MP11	21.0	FC/MC/PC35C	1000	30.0	23.0	14.00	12.00
YHJD30S41S7	TM8X120C20MP11	21.0	FC/MC/PC43C	1000	30.0	21.6	14.00	12.00
YHJD30S41S7	TM9E060B12MP11	17.5	FC/MC/PC35B	950	29.8	22.4	14.00	12.00
YHJD30S41S7	TM9E060B12MP11	17.5	FC/MC/PC43B	950	30.0	22.2	14.00	12.00
YHJD30S41S7	TM9E080B12MP11	17.5	FC/MC/PC35B	950	29.8	21.6	14.00	12.00
YHJD30S41S7	TM9E080B12MP11	17.5	FC/MC/PC43B	950	30.0	22.2	14.00	12.00
YHJD30S41S7	TM9E080C16MP11	21.0	FC/MC/PC35C	1000	30.0	22.2	14.00	12.00
YHJD30S41S7	TM9E080C16MP11	21.0	FC/MC/PC43C	1000	30.0	22.8	14.00	12.00
YHJD30S41S7	TM9E100C16MP11	21.0	FC/MC/PC35C	1000	30.0	23.0	14.00	12.00
YHJD30S41S7	TM9E100C16MP11	21.0	FC/MC/PC43C	1000	30.0	22.2	14.00	12.00
YHJD30S41S7	TMLX080B12MP11	17.5	FC/MC/PC35B	950	29.8	22.8	14.00	12.00
YHJD30S41S7	TMLX080B12MP11	17.5	FC/MC/PC43B	975	30.0	23.0	14.00	12.00
YHJD30S41S7	TMLX080C16MP11	21.0	FC/MC/PC35C	975	30.0	22.2	14.00	12.00
YHJD30S41S7	TMLX080C16MP11	21.0	FC/MC/PC43C	950	30.0	22.2	14.00	12.00
YHJD30S41S7	TMLX100C16MP11	21.0	FC/MC/PC35C	975	30.0	21.6	14.00	12.00
YHJD30S41S7	TMLX100C16MP11	21.0	FC/MC/PC43C	950	30.0	22.4	14.00	12.00
YHJD30S41S7	TMLX100C20MP11	21.0	FC/MC/PC35C	1000	30.0	22.2	14.00	12.00
YHJD30S41S7	TMLX100C20MP11	21.0	FC/MC/PC43C	1000	30.0	22.2	14.00	12.00
YHJD30S41S7	TMLX120C20MP11	21.0	FC/MC/PC35C	1000	30.0	22.2	14.00	12.00
YHJD30S41S7	TMLX120C20MP11	21.0	FC/MC/PC43C	1000	30.0	23.0	14.00	12.00
YHJD30S41S7	Y*(8,L)C*A12	14.5	FC/MC/PC32A	755	28.8	19.3	14.00	12.00
YHJD30S41S7	Y*(8,L)C*A12	14.5	FC/MC/PC37A	950	30.0	22.2	14.00	12.00
YHJD30S41S7	Y*(8,L)C*B12	17.5	FC/MC/PC43B	1045	30.0	22.2	14.00	12.00
YHJD30S41S7	Y*(8,L)C*C16	21.0	FC/MC/PC35C	985	30.0	23.0	14.00	12.00
YHJD30S41S7	Y*(8,L)C*C16	21.0	FC/MC/PC43C	1035	30.0	22.2	14.00	12.00
YHJD30S41S7	Y*(8,L)C*C20	21.0	FC/MC/PC35C	1035	30.0	22.2	14.00	12.00
YHJD30S41S7	Y*(8,L)C*C20	21.0	FC/MC/PC43C	1025	30.0	23.0	14.00	12.00
YHJD30S41S7	Y*9C*B12	17.5	FC/MC/PC43B	1035	30.0	23.0	14.00	12.00
YHJD30S41S7	Y*9C*C16	21.0	FC/MC/PC35C	1005	30.0	23.0	14.00	12.00
YHJD30S41S7	Y*9C*C16	21.0	FC/MC/PC43C	1030	30.0	19.9	14.00	12.00
YHJD30S41S7	Y*9C*C20	21.0	FC/MC/PC35C	985	30.0	22.0	14.00	12.00
YHJD30S41S7	Y*9C*C20	21.0	FC/MC/PC43C	995	30.0	22.0	14.00	12.00
YHJD36S41S7	T*(8,L)V*B12	17.5	FC/MC/PC43B	1045	35.0	27.4	14.00	12.00
YHJD36S41S7	T*(8,L)V*C16	21.0	FC/MC/PC43C	1190	36.0	27.2	14.00	12.00
YHJD36S41S7	T*(8,L)V*C16	21.0	FC/MC/PC48C	1195	36.0	27.2	14.00	12.00
YHJD36S41S7	T*(8,L)V*C20	21.0	FC/MC/PC43C	1190	36.0	27.2	14.00	12.00
YHJD36S41S7	T*(8,L)V*C20	21.0	FC/MC/PC48C	1150	36.0	27.2	14.00	12.00
YHJD36S41S7	T*9V*C16	21.0	FC/MC/PC48C	1195	35.8	26.2	14.00	12.00
YHJD36S41S7	T*9V*C20	21.0	FC/MC/PC43C	1200	36.0	27.2	14.00	12.00
YHJD36S41S7	T*9V*C20	21.0	FC/MC/PC48C	1330	36.0	26.2	14.00	12.00
YHJD36S41S7	T*9V*D20	24.5	FC/MC/PC48D	1240	36.0	26.2	14.00	12.00
YHJD36S41S7	TM8X080C16MP11	21.0	FC/MC/PC43C	1150	35.6	27.2	14.00	12.00
YHJD36S41S7	TM8X080C16MP11	21.0	FC/MC/PC48C	1150	36.0	27.2	14.00	12.00
YHJD36S41S7	TM8X080C16MP11	21.0	FC/MC/PC48D	1175	36.0	26.4	14.00	12.00
YHJD36S41S7	TM8X100C16MP11	21.0	FC/MC/PC43C	1150	35.6	27.2	14.00	12.00
YHJD36S41S7	TM8X100C16MP11	21.0	FC/MC/PC48C	1150	36.0	26.2	14.00	12.00
YHJD36S41S7	TM8X100C16MP11	21.0	FC/MC/PC48D	1175	36.0	27.2	14.00	12.00
YHJD36S41S7	TM8X100C20MP11	21.0	FC/MC/PC43C	1200	36.0	27.4	14.00	12.00
YHJD36S41S7	TM8X100C20MP11	21.0	FC/MC/PC48C	1200	36.0	26.2	14.00	12.00
YHJD36S41S7	TM8X100C20MP11	21.0	FC/MC/PC48D	1200	35.8	27.4	14.00	12.00
YHJD36S41S7	TM8X120C20MP11	21.0	FC/MC/PC43C	1200	36.0	27.2	14.00	12.00
YHJD36S41S7	TM8X120C20MP11	21.0	FC/MC/PC48C	1200	36.0	26.4	14.00	12.00
YHJD36S41S7	TM8X120C20MP11	21.0	FC/MC/PC48D	1200	35.8	26.4	14.00	12.00
YHJD36S41S7	TM9E080C16MP11	21.0	FC/MC/PC43C	1175	35.6	27.2	14.00	12.00

For Notes see Page 11

COOLING CAPACITY - With High Efficiency Motor Furnaces (Continued)

UNIT MODEL	FURNACE		COIL ¹ MODEL	COOLING				
	MODEL	WIDTH		RATED CFM	NET MBH		SEER	EER
					TOTAL	SENS.		
14 SEER HP WITH HIGH EFFICIENCY MOTOR FURNACES²								
YHJD36S41S7	TM9E080C16MP11	21.0	FC/MC/PC48C	1150	35.8	27.2	14.00	12.00
YHJD36S41S7	TM9E080C16MP11	21.0	FC/MC/PC48D	1175	35.8	27.2	14.00	12.00
YHJD36S41S7	TM9E100C16MP11	21.0	FC/MC/PC43C	1175	35.6	26.2	14.00	12.00
YHJD36S41S7	TM9E100C16MP11	21.0	FC/MC/PC48C	1150	35.8	27.2	14.00	12.00
YHJD36S41S7	TM9E100C16MP11	21.0	FC/MC/PC48D	1175	35.8	27.4	14.00	12.00
YHJD36S41S7	TM9E100C20MP11	21.0	FC/MC/PC43C	1150	35.6	26.2	14.00	12.00
YHJD36S41S7	TM9E100C20MP11	21.0	FC/MC/PC48C	1150	35.8	26.4	14.00	12.00
YHJD36S41S7	TM9E100C20MP11	21.0	FC/MC/PC48D	1175	36.0	27.4	14.00	12.00
YHJD36S41S7	TM9E120D20MP11	21.0	FC/MC/PC48D	1175	36.0	27.2	14.00	12.00
YHJD36S41S7	TMLX080C16MP11	21.0	FC/MC/PC43C	1150	35.6	26.4	14.00	12.00
YHJD36S41S7	TMLX080C16MP11	21.0	FC/MC/PC48C	1150	36.0	27.2	14.00	12.00
YHJD36S41S7	TMLX080C16MP11	21.0	FC/MC/PC48D	1175	36.0	27.2	14.00	12.00
YHJD36S41S7	TMLX100C16MP11	21.0	FC/MC/PC43C	1150	35.6	27.2	14.00	12.00
YHJD36S41S7	TMLX100C16MP11	21.0	FC/MC/PC48C	1150	36.0	27.2	14.00	12.00
YHJD36S41S7	TMLX100C16MP11	21.0	FC/MC/PC48D	1175	36.0	27.4	14.00	12.00
YHJD36S41S7	TMLX100C20MP11	21.0	FC/MC/PC43C	1200	36.0	27.2	14.00	12.00
YHJD36S41S7	TMLX100C20MP11	21.0	FC/MC/PC48C	1200	36.0	26.4	14.00	12.00
YHJD36S41S7	TMLX100C20MP11	21.0	FC/MC/PC48D	1200	35.8	27.2	14.00	12.00
YHJD36S41S7	TMLX120C20MP11	21.0	FC/MC/PC43C	1200	36.0	26.4	14.00	12.00
YHJD36S41S7	TMLX120C20MP11	21.0	FC/MC/PC48C	1200	36.0	27.2	14.00	12.00
YHJD36S41S7	TMLX120C20MP11	21.0	FC/MC/PC48D	1200	35.8	27.2	14.00	12.00
YHJD36S41S7	Y*(8,L)C*B12	17.5	FC/MC/PC43B	1045	35.0	27.4	14.00	12.00
YHJD36S41S7	Y*(8,L)C*C16	21.0	FC/MC/PC43C	1190	36.0	27.2	14.00	12.00
YHJD36S41S7	Y*(8,L)C*C16	21.0	FC/MC/PC48C	1195	36.0	27.2	14.00	12.00
YHJD36S41S7	Y*(8,L)C*C20	21.0	FC/MC/PC43C	1190	36.0	27.2	14.00	12.00
YHJD36S41S7	Y*(8,L)C*C20	21.0	FC/MC/PC48C	1150	36.0	27.2	14.00	12.00
YHJD36S41S7	Y*9C*C16	21.0	FC/MC/PC48C	1195	35.8	26.2	14.00	12.00
YHJD36S41S7	Y*9C*C20	21.0	FC/MC/PC43C	1200	36.0	27.2	14.00	12.00
YHJD36S41S7	Y*9C*C20	21.0	FC/MC/PC48C	1330	36.0	26.2	14.00	12.00
YHJD36S41S7	Y*9C*D20	24.5	FC/MC/PC48D	1240	36.0	26.2	14.00	12.00
YHJD42S41S7	T*(8,L)V*C16	21.0	FC/MC/PC48C	1330	41.0	31.6	14.00	12.00
YHJD42S41S7	T*(8,L)V*C16	21.0	FC/MC/PC48D	1330	41.0	31.4	14.00	12.00
YHJD42S41S7	T*(8,L)V*C16	21.0	FC/PC60C	1420	41.5	31.2	14.00	12.00
YHJD42S41S7	T*(8,L)V*C20	21.0	FC/MC/PC48C	1410	41.0	31.6	14.00	12.00
YHJD42S41S7	T*(8,L)V*C20	21.0	FC/MC/PC48D	1410	41.0	31.2	14.00	12.00
YHJD42S41S7	T*(8,L)V*C20	21.0	FC/PC60C	1410	42.0	31.6	14.00	12.00
YHJD42S41S7	T*9V*C16	21.0	FC/MC/PC48C	1395	41.0	31.4	14.00	11.75
YHJD42S41S7	T*9V*C16	21.0	FC/MC/PC48D	1395	41.0	31.4	14.00	11.75
YHJD42S41S7	T*9V*C16	21.0	FC/PC60C	1445	41.0	31.6	14.00	11.50
YHJD42S41S7	T*9V*C20	21.0	FC/MC/PC48C	1430	41.0	31.4	14.00	11.75
YHJD42S41S7	T*9V*C20	21.0	FC/MC/PC48D	1430	41.0	31.2	14.00	11.75
YHJD42S41S7	T*9V*C20	21.0	FC/PC60C	1445	41.5	31.6	14.00	11.50
YHJD42S41S7	T*9V*D20	24.5	FC/MC/PC48D	1450	41.0	31.6	14.00	12.00
YHJD42S41S7	T*9V*D20	24.5	FC/MC/PC60D	1445	41.5	31.6	14.00	11.50
YHJD42S41S7	TM8X080C16MP11	21.0	FC/MC/PC48C	1325	41.0	31.6	14.00	12.00
YHJD42S41S7	TM8X080C16MP11	21.0	FC/MC/PC48D	1350	41.0	31.2	14.00	12.00
YHJD42S41S7	TM8X080C16MP11	21.0	FC/PC60C	1350	40.0	31.4	14.00	11.35
YHJD42S41S7	TM8X100C16MP11	21.0	FC/MC/PC48C	1325	41.0	31.6	14.00	12.00
YHJD42S41S7	TM8X100C16MP11	21.0	FC/MC/PC48D	1350	41.0	31.6	14.00	12.00
YHJD42S41S7	TM8X100C16MP11	21.0	FC/PC60C	1350	40.0	31.2	14.00	11.35
YHJD42S41S7	TM8X100C20MP11	21.0	FC/MC/PC48C	1350	41.0	31.6	14.00	12.00
YHJD42S41S7	TM8X100C20MP11	21.0	FC/MC/PC48D	1400	41.0	31.6	14.00	12.00
YHJD42S41S7	TM8X100C20MP11	21.0	FC/PC60C	1375	40.0	31.6	14.00	11.35
YHJD42S41S7	TM8X120C20MP11	21.0	FC/MC/PC48C	1350	41.0	31.6	14.00	12.00
YHJD42S41S7	TM8X120C20MP11	21.0	FC/MC/PC48D	1400	41.0	31.6	14.00	12.00
YHJD42S41S7	TM8X120C20MP11	21.0	FC/PC60C	1375	40.0	31.6	14.00	11.35

For Notes see Page 11

COOLING CAPACITY - With High Efficiency Motor Furnaces (Continued)

UNIT MODEL	FURNACE		COIL ¹ MODEL	COOLING				
	MODEL	WIDTH		RATED CFM	NET MBH		SEER	EER
					TOTAL	SENS.		
14 SEER HP WITH HIGH EFFICIENCY MOTOR FURNACES²								
YHJD42S41S7	TM9E100C20MP11	21.0	FC/MC/PC48C	1325	41.0	31.6	14.00	12.00
YHJD42S41S7	TM9E100C20MP11	21.0	FC/MC/PC48D	1350	41.0	31.4	14.00	12.00
YHJD42S41S7	TM9E120D20MP11	24.5	FC/MC/PC48D	1325	41.0	31.2	14.00	12.00
YHJD42S41S7	TM9E120D20MP11	24.5	FC/MC/PC60D	1325	40.0	31.6	14.00	11.35
YHJD42S41S7	TMLX080C16MP11	21.0	FC/MC/PC48C	1325	41.0	31.6	14.00	12.00
YHJD42S41S7	TMLX080C16MP11	21.0	FC/MC/PC48D	1350	41.0	31.6	14.00	12.00
YHJD42S41S7	TMLX080C16MP11	21.0	FC/PC60C	1350	40.0	31.6	14.00	11.35
YHJD42S41S7	TMLX100C16MP11	21.0	FC/MC/PC48C	1325	41.0	31.6	14.00	12.00
YHJD42S41S7	TMLX100C16MP11	21.0	FC/MC/PC48D	1350	41.0	31.6	14.00	12.00
YHJD42S41S7	TMLX100C16MP11	21.0	FC/PC60C	1350	40.0	31.4	14.00	11.35
YHJD42S41S7	TMLX100C20MP11	21.0	FC/MC/PC48C	1350	41.0	31.6	14.00	12.00
YHJD42S41S7	TMLX100C20MP11	21.0	FC/MC/PC48D	1400	41.0	31.6	14.00	12.00
YHJD42S41S7	TMLX100C20MP11	21.0	FC/PC60C	1375	40.0	31.2	14.00	11.35
YHJD42S41S7	TMLX120C20MP11	21.0	FC/MC/PC48C	1350	41.0	31.6	14.00	12.00
YHJD42S41S7	TMLX120C20MP11	21.0	FC/MC/PC48D	1400	41.0	31.6	14.00	12.00
YHJD42S41S7	TMLX120C20MP11	21.0	FC/PC60C	1375	40.0	31.4	14.00	11.35
YHJD42S41S7	Y*(8,L)C*C16	21.0	FC/MC/PC48C	1330	41.0	31.6	14.00	12.00
YHJD42S41S7	Y*(8,L)C*C16	21.0	FC/MC/PC48D	1330	41.0	31.4	14.00	12.00
YHJD42S41S7	Y*(8,L)C*C16	21.0	FC/PC60C	1420	41.5	31.2	14.00	12.00
YHJD42S41S7	Y*(8,L)C*C20	21.0	FC/MC/PC48C	1410	41.0	31.6	14.00	12.00
YHJD42S41S7	Y*(8,L)C*C20	21.0	FC/MC/PC48D	1410	41.0	31.2	14.00	12.00
YHJD42S41S7	Y*(8,L)C*C20	21.0	FC/PC60C	1410	42.0	31.6	14.00	12.00
YHJD42S41S7	Y*9C*C16	21.0	FC/MC/PC48C	1395	41.0	31.4	14.00	11.75
YHJD42S41S7	Y*9C*C16	21.0	FC/MC/PC48D	1395	41.0	31.4	14.00	11.75
YHJD42S41S7	Y*9C*C16	21.0	FC/PC60C	1445	41.0	31.6	14.00	11.50
YHJD42S41S7	Y*9C*C20	21.0	FC/MC/PC48C	1430	41.0	31.4	14.00	11.75
YHJD42S41S7	Y*9C*C20	21.0	FC/MC/PC48D	1430	41.0	31.2	14.00	11.75
YHJD42S41S7	Y*9C*C20	21.0	FC/PC60C	1445	41.5	31.6	14.00	11.50
YHJD42S41S7	Y*9C*D20	24.5	FC/MC/PC48D	1450	41.0	31.6	14.00	12.00
YHJD42S41S7	Y*9C*D20	24.5	FC/MC/PC60D	1445	41.5	31.6	14.00	11.50
YHJD48S41S7	T*(8,L)V*C16	21.0	FC/MC62D	1420	47.0	32.8	14.00	11.75
YHJD48S41S7	T*(8,L)V*C20	21.0	FC/MC/PC60D	1340	46.0	33.2	14.00	12.00
YHJD48S41S7	T*(8,L)V*C20	21.0	FC/MC62D	1365	47.0	33.6	14.00	12.00
YHJD48S41S7	T*(8,L)V*C20	21.0	FC/PC60C	1340	46.0	34.8	14.00	12.00
YHJD48S41S7	T*9V*D20	24.5	FC/MC62D	1455	47.0	32.8	14.00	11.75
YHJD48S41S7	TM8X080C16MP11	21.0	FC/MC62D	1350	47.0	32.8	14.00	11.75
YHJD48S41S7	TM8X100C16MP11	21.0	FC/MC62D	1350	47.0	34.6	14.00	11.75
YHJD48S41S7	TM8X100C20MP11	21.0	FC/MC/PC60D	1400	46.0	34.8	14.00	11.75
YHJD48S41S7	TM8X100C20MP11	21.0	FC/MC62D	1400	47.0	32.8	14.00	12.00
YHJD48S41S7	TM8X120C20MP11	21.0	FC/MC/PC60D	1400	46.0	33.2	14.00	11.75
YHJD48S41S7	TM8X120C20MP11	21.0	FC/MC62D	1400	47.0	33.6	14.00	12.00
YHJD48S41S7	TM9E100C20MP11	21.0	FC/MC62D	1350	47.0	33.2	14.00	11.75
YHJD48S41S7	TM9E120D20MP11	24.5	FC/MC62D	1325	46.5	33.8	14.00	11.75
YHJD48S41S7	TMLX080C16MP11	21.0	FC/MC62D	1350	47.0	34.8	14.00	11.75
YHJD48S41S7	TMLX100C16MP11	21.0	FC/MC62D	1350	47.0	32.0	14.00	11.75
YHJD48S41S7	TMLX100C20MP11	21.0	FC/MC/PC60D	1400	46.0	34.8	14.00	11.75
YHJD48S41S7	TMLX100C20MP11	21.0	FC/MC62D	1400	47.0	33.0	14.00	12.00
YHJD48S41S7	TMLX120C20MP11	21.0	FC/MC/PC60D	1400	46.0	33.2	14.00	11.75
YHJD48S41S7	TMLX120C20MP11	21.0	FC/MC62D	1400	47.0	33.8	14.00	12.00
YHJD48S41S7	Y*(8,L)C*C16	21.0	FC/MC62D	1420	47.0	32.8	14.00	11.75
YHJD48S41S7	Y*(8,L)C*C20	21.0	FC/MC/PC60D	1340	46.0	33.2	14.00	12.00
YHJD48S41S7	Y*(8,L)C*C20	21.0	FC/MC62D	1365	47.0	33.6	14.00	12.00
YHJD48S41S7	Y*(8,L)C*C20	21.0	FC/PC60C	1340	46.0	34.8	14.00	12.00
YHJD48S41S7	Y*9C*D20	24.5	FC/MC62D	1455	47.0	32.8	14.00	11.75
YHJD60S41S7	T*(8,L)V*C20	21.0	FC/MC62D	1600	57.0	39.5	14.00	12.00
YHJD60S41S7	T*(8,L)V*C20	21.0	FC64D	1855	57.0	41.0	14.00	12.00

For Notes see Page 11

COOLING CAPACITY - With High Efficiency Motor Furnaces (Continued)

UNIT MODEL	FURNACE		COIL ¹ MODEL	COOLING				
	MODEL	WIDTH		RATED CFM	NET MBH		SEER	EER
					TOTAL	SENS.		
14 SEER HP WITH HIGH EFFICIENCY MOTOR FURNACES²								
YHJD60S41S7	T*9V*C20	21.0	FC/MC62D	1655	57.0	40.0	14.00	12.00
YHJD60S41S7	T*9V*C20	21.0	FC64D	1655	57.0	40.0	14.00	12.00
YHJD60S41S7	T*9V*D20	24.5	FC/MC62D	1630	57.0	39.0	14.00	12.00
YHJD60S41S7	T*9V*D20	24.5	FC64D	1630	57.0	40.0	14.00	12.00
YHJD60S41S7	TM8X100C20MP11	21.0	FC/MC62D	1575	57.0	39.0	14.00	12.00
YHJD60S41S7	TM8X100C20MP11	21.0	FC64D	1600	57.0	40.0	14.00	12.00
YHJD60S41S7	TM8X120C20MP11	21.0	FC/MC62D	1575	57.0	40.0	14.00	12.00
YHJD60S41S7	TM8X120C20MP11	21.0	FC64D	1600	57.0	39.0	14.00	12.00
YHJD60S41S7	TM9E100C20MP11	21.0	FC/MC62D	1550	56.5	40.5	14.00	12.00
YHJD60S41S7	TM9E100C20MP11	21.0	FC64D	1550	57.0	40.0	14.00	12.00
YHJD60S41S7	TM9E120D20MP11	24.5	FC/MC62D	1550	56.5	41.0	14.00	12.00
YHJD60S41S7	TM9E120D20MP11	24.5	FC64D	1525	57.0	39.0	14.00	12.00
YHJD60S41S7	TMLX100C20MP11	21.0	FC/MC62D	1575	57.0	39.0	14.00	12.00
YHJD60S41S7	TMLX100C20MP11	21.0	FC64D	1600	57.0	41.0	14.00	12.00
YHJD60S41S7	TMLX120C20MP11	21.0	FC/MC62D	1575	57.0	40.0	14.00	12.00
YHJD60S41S7	TMLX120C20MP11	21.0	FC64D	1600	57.0	40.5	14.00	12.00
YHJD60S41S7	Y*(8,L)C*C20	21.0	FC/MC62D	1600	57.0	39.5	14.00	12.00
YHJD60S41S7	Y*(8,L)C*C20	21.0	FC64D	1855	57.0	41.0	14.00	12.00
YHJD60S41S7	Y*9C*C20	21.0	FC/MC62D	1655	57.0	40.0	14.00	12.00
YHJD60S41S7	Y*9C*C20	21.0	FC64D	1655	57.0	40.0	14.00	12.00
YHJD60S41S7	Y*9C*D20	24.5	FC/MC62D	1630	57.0	39.0	14.00	12.00
YHJD60S41S7	Y*9C*D20	24.5	FC64D	1630	57.0	40.0	14.00	12.00

1. MC coils available with a factory installed horizontal drain pan. See price pages for specific model number.

2. High Efficiency Motor Furnaces have B.O.D (Blower on Delay) standard.

PSC furnaces, such as the TG8S, TGLS, and TG9S, use Coil Only Ratings.

HEATING CAPACITY - With Air Handler Coils

UNIT MODEL	AIR HANDLER	COIL ¹ MODEL	HEATING ²						
			47°F			17°F			HSPF
			MBH	COP	KW	MBH	COP	KW	STD
14 SEER HP WITH AIR HANDLERS									
YHJD18S41S7	AHE22B	–	17.2	3.56	1.42	10.3	2.16	1.40	8.20
YHJD18S41S7	AHE24B	–	17.5	3.78	1.36	11.0	2.50	1.29	8.20
YHJD18S41S7	AHE30B	–	17.5	3.78	1.36	11.0	2.50	1.29	8.20
YHJD18S41S7	AHV24B	–	17.5	3.78	1.36	11.0	2.50	1.29	8.20
YHJD18S41S7	AHV30B	–	17.5	3.92	1.31	11.0	2.54	1.27	8.20
YHJD18S41S7	MV12B	FC/MC24B	17.2	3.64	1.38	10.3	2.22	1.36	8.20
YHJD18S41S7	MV12B	FC/MC30B	17.2	3.64	1.38	10.3	2.22	1.36	8.20
YHJD18S41S7	MV12B	FC/MC35B	17.5	3.76	1.36	11.0	2.48	1.30	8.20
YHJD18S41S7	MX12BN21	FC/MC24B	17.2	3.66	1.38	10.2	2.24	1.33	8.20
YHJD18S41S7	MX12BN21	FC/MC30B	17.2	3.66	1.38	10.2	2.24	1.33	8.20
YHJD18S41S7	MX12BN21	FC/MC35B	17.5	3.80	1.35	11.0	2.50	1.29	8.20
YHJD24S41S7	AHE24B	–	23.0	3.82	1.76	12.3	2.44	1.48	8.20
YHJD24S41S7	AHE30B	–	23.0	3.82	1.76	12.3	2.44	1.48	8.20
YHJD24S41S7	AHV24B	–	22.6	3.74	1.77	12.0	2.42	1.45	8.20
YHJD24S41S7	AHV30B	–	23.0	3.80	1.77	12.3	2.44	1.48	8.20
YHJD24S41S7	MV12B	FC/MC35B	22.4	3.60	1.82	11.7	2.38	1.44	8.20
YHJD24S41S7	MV12B	FC/MC43B	23.4	3.90	1.76	12.3	2.48	1.45	8.20
YHJD24S41S7	MX12BN21	FC/MC35B	22.4	3.62	1.81	11.7	2.38	1.44	8.20
YHJD24S41S7	MX12BN21	FC/MC43B	23.4	3.90	1.76	12.3	2.48	1.45	8.20
YHJD24S41S7	MX16CN21	FC/MC35C	22.4	3.52	1.86	12.0	2.30	1.53	8.00
YHJD24S41S7	MX16CN21	FC/MC43C	23.4	3.86	1.78	12.4	2.44	1.49	8.20
YHJD30S41S7	AHE30B	–	28.6	3.78	2.22	13.7	2.26	1.78	8.20
YHJD30S41S7	AHE36C	–	28.6	3.96	2.12	13.7	2.36	1.70	8.20
YHJD30S41S7	AHV30B	–	28.4	3.64	2.29	13.1	2.26	1.70	8.20
YHJD30S41S7	AHV36C	–	28.4	3.88	2.14	13.4	2.32	1.69	8.20
YHJD30S41S7	MV12B	FC/MC35B	28.4	3.86	2.16	13.6	2.30	1.73	8.20
YHJD30S41S7	MV12B	FC/MC43B	28.8	3.92	2.15	13.9	2.32	1.76	8.20
YHJD30S41S7	MV16C	FC/MC35C	28.4	3.94	2.11	13.7	2.34	1.72	8.20
YHJD30S41S7	MV16C	FC/MC43C	28.8	3.94	2.14	13.8	2.34	1.73	8.20
YHJD30S41S7	MX12BN21	FC/MC35B	28.4	3.82	2.18	13.7	2.28	1.76	8.20
YHJD30S41S7	MX12BN21	FC/MC43B	28.8	3.92	2.15	13.9	2.32	1.76	8.20
YHJD30S41S7	MX16CN21	FC/MC35C	28.4	3.80	2.19	13.7	2.28	1.76	8.20
YHJD30S41S7	MX16CN21	FC/MC43C	28.4	3.96	2.10	13.5	2.36	1.68	8.20
YHJD36S41S7	AHE36C	–	35.0	3.76	2.73	18.3	2.48	2.16	8.20
YHJD36S41S7	AHE42D	–	34.8	3.82	2.67	18.2	2.52	2.12	8.20
YHJD36S41S7	AHV36C	–	35.2	3.74	2.76	18.5	2.46	2.20	8.20
YHJD36S41S7	AHV42D	–	34.8	3.82	2.67	18.2	2.50	2.13	8.20
YHJD36S41S7	MV12B	FC/MC43B	35.2	3.76	2.74	18.5	2.46	2.20	8.20
YHJD36S41S7	MV12D	FC/MC48D	34.8	3.84	2.66	18.1	2.54	2.09	8.20
YHJD36S41S7	MV16C	FC/MC43C	35.0	3.78	2.71	18.3	2.48	2.16	8.20
YHJD36S41S7	MV16C	FC/MC48C	35.0	3.78	2.71	18.2	2.48	2.15	8.20
YHJD36S41S7	MV20D	FC/MC48D	35.4	3.90	2.66	18.6	2.54	2.15	8.20
YHJD36S41S7	MX12BN21	FC/MC43B	34.6	3.68	2.75	18.3	2.44	2.20	8.20
YHJD36S41S7	MX12DN21	FC/MC48D	34.8	3.84	2.66	18.1	2.52	2.10	8.20
YHJD36S41S7	MX16CN21	FC/MC43C	35.2	3.72	2.77	18.4	2.44	2.21	8.20
YHJD36S41S7	MX16CN21	FC/MC48C	35.2	3.70	2.79	18.4	2.44	2.21	8.20
YHJD36S41S7	MX20DN21	FC/MC48D	34.8	3.82	2.67	18.1	2.52	2.10	8.20
YHJD42S41S7	AHE42D	–	39.5	3.82	3.03	21.0	2.46	2.50	8.20
YHJD42S41S7	AHE48D	–	39.0	3.86	2.96	22.2	2.58	2.52	8.20
YHJD42S41S7	AHV42D	–	38.5	3.78	2.98	20.4	2.46	2.43	8.20
YHJD42S41S7	AHV48D	–	39.0	3.86	2.96	21.0	2.54	2.42	8.20
YHJD42S41S7	MV16C	FC/MC48C	38.5	3.76	3.00	20.4	2.44	2.45	8.20
YHJD42S41S7	MV20D	FC/MC48D	38.5	3.86	2.92	20.6	2.50	2.41	8.20
YHJD42S41S7	MV20D	FC/MC60D	39.5	3.94	2.94	22.2	2.66	2.45	8.20
YHJD42S41S7	MX16CN21	FC/MC48C	38.5	3.74	3.02	20.6	2.42	2.49	8.20
YHJD42S41S7	MX16CN21	FC60C	39.5	3.82	3.03	21.6	2.44	2.59	8.20

For Notes see Page 13

HEATING CAPACITY - With Air Handler Coils (Continued)

UNIT MODEL	AIR HANDLER	COIL ¹ MODEL	HEATING ²						
			47°F			17°F			HSPF
			MBH	COP	KW	MBH	COP	KW	STD
14 SEER HP WITH AIR HANDLERS									
YHJD42S41S7	MX20DN21	FC/MC48D	38.0	3.84	2.90	20.2	2.50	2.37	8.20
YHJD42S41S7	MX20DN21	FC/MC60D	39.5	3.92	2.95	21.2	2.52	2.46	8.20
YHJD48S41S7	AHE48D	—	46.0	3.60	3.74	24.8	2.44	2.98	8.20
YHJD48S41S7	AHE60D	—	45.0	3.46	3.81	24.8	2.48	2.93	8.20
YHJD48S41S7	AHV48D	—	46.0	3.60	3.74	24.0	2.44	2.88	8.20
YHJD48S41S7	AHV60D	—	45.0	3.36	3.92	24.4	2.46	2.91	8.20
YHJD48S41S7	MV16C	FC60C	46.0	3.60	3.74	24.2	2.42	2.93	8.20
YHJD48S41S7	MV20D	FC/MC60D	46.0	3.60	3.74	24.2	2.44	2.91	8.20
YHJD48S41S7	MV20D	FC/MC62D	45.0	3.40	3.88	24.4	2.48	2.88	8.20
YHJD48S41S7	MX16CN21	FC60C	46.0	3.60	3.74	24.4	2.40	2.98	8.20
YHJD48S41S7	MX20DN21	FC/MC60D	46.0	3.60	3.74	24.0	2.46	2.86	8.20
YHJD48S41S7	MX20DN21	FC/MC62D	45.0	3.42	3.86	24.4	2.52	2.84	8.20
YHJD60S41S7	AHE60D	—	57.0	3.76	4.44	37.8	2.50	4.43	8.20
YHJD60S41S7	AHV60D	—	57.0	3.64	4.59	37.6	2.46	4.48	8.20
YHJD60S41S7	MV20D	FC/MC62D	57.0	3.74	4.47	38.0	2.48	4.49	8.20
YHJD60S41S7	MV20D	FC64D	57.0	3.84	4.35	38.5	2.54	4.44	8.20
YHJD60S41S7	MX20DN21	FC/MC62D	57.0	3.76	4.44	37.4	2.52	4.35	8.20
YHJD60S41S7	MX20DN21	FC64D	57.0	3.88	4.30	37.6	2.56	4.30	8.20

1. Rated CFM same as for cooling.

2. Heating MBH based on AHRI standards of 70 °F DB (Dry Bulb) entering indoor air, 72% RH (Relative Humidity) outdoor air with 25 feet of interconnecting piping and no supplemental electric heat operation.

COP equals MBH output divided by (total KW input x 3.412).

HSPF (Heating Seasonal Performance Factor) is the total heating output during a normal annual usage period for heating divided by the total electric power input during the same period.

MA Modular Air Handlers use Coil Only Ratings.

— = Not Applicable.

HEATING CAPACITY - With High Efficiency Motor Furnaces

UNIT MODEL	FURNACE MODEL	COIL ¹ MODEL	HEATING ²						
			47°F			17°F			HSPF
			MBH	COP	KW	MBH	COP	KW	STD
14 SEER HP WITH HIGH EFFICIENCY MOTOR FURNACES³									
YHJD18S41S7	T*(8,L)V*A12	FC/MC/PC24A	17.3	3.74	1.36	10.3	2.26	1.34	8.20
YHJD18S41S7	T*(8,L)V*A12	FC/MC/PC24A	17.2	3.70	1.36	10.6	2.90	1.07	8.20
YHJD18S41S7	T*(8,L)V*A12	FC/MC/PC30A	17.3	3.74	1.36	10.3	2.26	1.34	8.20
YHJD18S41S7	T*(8,L)V*A12	FC/MC/PC30A	17.2	3.70	1.36	10.6	2.90	1.07	8.20
YHJD18S41S7	T*(8,L)V*A12	FC/MC/PC32A	17.5	3.82	1.34	11.0	2.50	1.29	8.20
YHJD18S41S7	T*(8,L)V*B12	FC/MC/PC24B	17.2	3.66	1.38	10.2	2.24	1.33	8.20
YHJD18S41S7	T*(8,L)V*B12	FC/MC/PC30B	17.2	3.66	1.38	10.2	2.24	1.33	8.20
YHJD18S41S7	T*(8,L)V*B12	FC/MC/PC35B	17.5	3.84	1.34	11.0	2.52	1.28	8.20
YHJD18S41S7	T*(8,L)V*C16	FC/MC/PC35C	17.5	3.90	1.31	11.0	2.54	1.27	8.20
YHJD18S41S7	T*9V*A10	FC/MC/PC24A	17.3	3.62	1.40	10.3	2.22	1.36	8.20
YHJD18S41S7	T*9V*A10	FC/MC/PC30A	17.3	3.62	1.40	10.3	2.22	1.36	8.20
YHJD18S41S7	T*9V*A10	FC/MC/PC32A	17.5	3.72	1.38	11.1	2.46	1.32	8.20
YHJD18S41S7	T*9V*B12	FC/MC/PC24B	17.2	3.74	1.35	10.5	2.94	1.05	8.20
YHJD18S41S7	T*9V*B12	FC/MC/PC30B	17.2	3.66	1.38	10.2	2.24	1.33	8.20
YHJD18S41S7	T*9V*B12	FC/MC/PC35B	17.5	3.78	1.36	10.9	2.50	1.28	8.20
YHJD18S41S7	T*9V*C16	FC/MC/PC35C	17.5	3.90	1.31	10.9	2.54	1.26	8.20
YHJD18S41S7	TM8X060A12MP11	FC/MC/PC24A	17.2	3.62	1.39	10.3	2.22	1.36	8.20
YHJD18S41S7	TM8X060A12MP11	FC/MC/PC30A	17.2	3.62	1.39	10.3	2.22	1.36	8.20
YHJD18S41S7	TM8X060A12MP11	FC/MC/PC32A	17.5	3.76	1.36	11.0	2.48	1.30	8.20
YHJD18S41S7	TM8X080B12MP11	FC/MC/PC24B	17.3	3.60	1.41	10.3	2.20	1.37	8.20
YHJD18S41S7	TM8X080B12MP11	FC/MC/PC30B	17.3	3.60	1.41	10.3	2.20	1.37	8.20
YHJD18S41S7	TM8X080B12MP11	FC/MC/PC35B	17.5	3.74	1.37	11.0	2.46	1.31	8.20
YHJD18S41S7	TM8X080C16MP11	FC/MC/PC35C	17.5	3.74	1.37	11.0	2.46	1.31	8.20
YHJD18S41S7	TM8X100C16MP11	FC/MC/PC35C	17.5	3.74	1.37	11.0	2.46	1.31	8.20
YHJD18S41S7	TM9E040A10MP11	FC/MC/PC32A	17.2	3.58	1.41	11.3	2.36	1.40	8.20
YHJD18S41S7	TM9E060B12MP11	FC/MC/PC24B	17.3	3.58	1.42	10.3	2.20	1.37	8.20
YHJD18S41S7	TM9E060B12MP11	FC/MC/PC30B	17.3	3.58	1.42	10.3	2.20	1.37	8.20
YHJD18S41S7	TM9E060B12MP11	FC/MC/PC35B	17.5	3.70	1.39	11.1	2.44	1.33	8.20
YHJD18S41S7	TM9E080B12MP11	FC/MC/PC24B	17.3	3.58	1.42	10.3	2.20	1.37	8.20
YHJD18S41S7	TM9E080B12MP11	FC/MC/PC30B	17.3	3.58	1.42	10.3	2.20	1.37	8.20
YHJD18S41S7	TM9E080B12MP11	FC/MC/PC35B	17.5	3.70	1.39	11.1	2.44	1.33	8.20
YHJD18S41S7	TM9E080C16MP11	FC/MC/PC35C	17.5	3.78	1.36	11.0	2.48	1.30	8.20
YHJD18S41S7	TM9E100C16MP11	FC/MC/PC35C	17.5	3.78	1.36	11.0	2.48	1.30	8.20
YHJD18S41S7	TMLX060A12MP11	FC/MC/PC24A	17.2	3.62	1.39	10.3	2.22	1.36	8.20
YHJD18S41S7	TMLX060A12MP11	FC/MC/PC30A	17.2	3.62	1.39	10.3	2.22	1.36	8.20
YHJD18S41S7	TMLX060A12MP11	FC/MC/PC32A	17.5	3.76	1.36	11.0	2.46	1.31	8.20
YHJD18S41S7	TMLX080B12MP11	FC/MC/PC24B	17.3	3.60	1.41	10.3	2.20	1.37	8.20
YHJD18S41S7	TMLX080B12MP11	FC/MC/PC30B	17.3	3.60	1.41	10.3	2.20	1.37	8.20
YHJD18S41S7	TMLX080B12MP11	FC/MC/PC35B	17.5	3.74	1.37	11.0	2.46	1.31	8.20
YHJD18S41S7	TMLX080C16MP11	FC/MC/PC35C	17.5	3.74	1.37	11.0	2.46	1.31	8.20
YHJD18S41S7	TMLX100C16MP11	FC/MC/PC35C	17.5	3.74	1.37	11.0	2.46	1.31	8.20
YHJD18S41S7	Y*(8,L)C*A12	FC/MC/PC24A	17.3	3.74	1.36	10.3	2.26	1.34	8.20
YHJD18S41S7	Y*(8,L)C*A12	FC/MC/PC24A	17.2	3.70	1.36	10.6	2.90	1.07	8.20
YHJD18S41S7	Y*(8,L)C*A12	FC/MC/PC30A	17.3	3.74	1.36	10.3	2.26	1.34	8.20
YHJD18S41S7	Y*(8,L)C*A12	FC/MC/PC30A	17.2	3.70	1.36	10.6	2.90	1.07	8.20
YHJD18S41S7	Y*(8,L)C*A12	FC/MC/PC32A	17.5	3.82	1.34	11.0	2.50	1.29	8.20
YHJD18S41S7	Y*(8,L)C*B12	FC/MC/PC24B	17.2	3.66	1.38	10.2	2.24	1.33	8.20
YHJD18S41S7	Y*(8,L)C*B12	FC/MC/PC30B	17.2	3.66	1.38	10.2	2.24	1.33	8.20
YHJD18S41S7	Y*(8,L)C*B12	FC/MC/PC35B	17.5	3.84	1.34	11.0	2.52	1.28	8.20
YHJD18S41S7	Y*(8,L)C*C16	FC/MC/PC35C	17.5	3.90	1.31	11.0	2.54	1.27	8.20
YHJD18S41S7	Y*9C*B12	FC/MC/PC24B	17.2	3.74	1.35	10.5	2.94	1.05	8.20
YHJD18S41S7	Y*9C*B12	FC/MC/PC30B	17.2	3.66	1.38	10.2	2.24	1.33	8.20
YHJD18S41S7	Y*9C*B12	FC/MC/PC35B	17.5	3.78	1.36	10.9	2.50	1.28	8.20
YHJD18S41S7	Y*9C*C16	FC/MC/PC35C	17.5	3.90	1.31	10.9	2.54	1.26	8.20
YHJD24S41S7	T*(8,L)V*A12	FC/MC/PC32A	22.8	3.64	1.84	11.8	2.40	1.44	8.20
YHJD24S41S7	T*(8,L)V*A12	FC/MC/PC37A	23.4	3.88	1.77	12.3	2.48	1.45	8.20

For Notes see Page 19

HEATING CAPACITY - With High Efficiency Motor Furnaces (Continued)

UNIT MODEL	FURNACE MODEL	COIL ¹ MODEL	HEATING ²						
			47°F			17°F			HSPF
			MBH	COP	KW	MBH	COP	KW	STD
14 SEER HP WITH HIGH EFFICIENCY MOTOR FURNACES³									
YHJD24S41S7	T*(8,L)V*B12	FC/MC/PC35B	22.8	3.64	1.84	11.8	2.40	1.44	8.20
YHJD24S41S7	T*(8,L)V*B12	FC/MC/PC43B	23.4	3.90	1.76	12.3	2.48	1.45	8.20
YHJD24S41S7	T*(8,L)V*C16	FC/MC/PC35C	22.8	3.68	1.82	11.8	2.42	1.43	8.20
YHJD24S41S7	T*(8,L)V*C16	FC/MC/PC43C	23.4	3.94	1.74	12.2	2.50	1.43	8.20
YHJD24S41S7	T*(8,L)V*C20	FC/MC/PC35C	22.8	3.82	1.75	12.1	2.46	1.44	8.20
YHJD24S41S7	T*(8,L)V*C20	FC/MC/PC43C	23.0	3.90	1.73	12.1	2.48	1.43	8.20
YHJD24S41S7	T*9V*B12	FC/MC/PC35B	22.8	3.56	1.88	11.5	2.36	1.43	8.20
YHJD24S41S7	T*9V*B12	FC/MC/PC43B	23.4	3.88	1.77	12.4	2.46	1.48	8.20
YHJD24S41S7	T*9V*C16	FC/MC/PC35C	22.8	3.68	1.82	11.8	2.42	1.43	8.20
YHJD24S41S7	T*9V*C16	FC/MC/PC43C	23.4	3.90	1.76	12.3	2.48	1.45	8.20
YHJD24S41S7	T*9V*C20	FC/MC/PC35C	22.8	3.80	1.76	12.1	2.46	1.44	8.20
YHJD24S41S7	T*9V*C20	FC/MC/PC43C	23.8	4.00	1.74	12.7	2.50	1.49	8.20
YHJD24S41S7	TM8X060A12MP11	FC/MC/PC37A	23.4	3.86	1.78	12.4	2.46	1.48	8.20
YHJD24S41S7	TM8X080B12MP11	FC/MC/PC43B	23.4	3.90	1.76	12.3	2.48	1.45	8.20
YHJD24S41S7	TM8X080C16MP11	FC/MC/PC43C	23.6	3.80	1.82	12.5	2.40	1.53	8.20
YHJD24S41S7	TM8X100C16MP11	FC/MC/PC43C	23.6	3.80	1.82	12.5	2.40	1.53	8.20
YHJD24S41S7	TM9E040A10MP11	FC/MC/PC37A	23.8	3.72	1.87	12.7	2.36	1.58	8.20
YHJD24S41S7	TM9E060B12MP11	FC/MC/PC43B	23.6	3.80	1.82	12.6	2.38	1.55	8.20
YHJD24S41S7	TM9E080B12MP11	FC/MC/PC43B	23.6	3.80	1.82	12.6	2.38	1.55	8.20
YHJD24S41S7	TM9E080C16MP11	FC/MC/PC35C	22.8	3.62	1.85	11.6	2.40	1.42	8.20
YHJD24S41S7	TM9E080C16MP11	FC/MC/PC43C	22.2	3.68	1.77	11.8	2.44	1.42	8.20
YHJD24S41S7	TM9E100C16MP11	FC/MC/PC35C	22.8	3.62	1.85	11.6	2.40	1.42	8.20
YHJD24S41S7	TM9E100C16MP11	FC/MC/PC43C	22.2	3.68	1.77	11.8	2.44	1.42	8.20
YHJD24S41S7	TM9E100C20MP11	FC/MC/PC43C	23.4	3.84	1.79	12.5	2.42	1.51	8.20
YHJD24S41S7	TMLX060A12MP11	FC/MC/PC37A	23.4	3.86	1.78	12.4	2.46	1.48	8.20
YHJD24S41S7	TMLX080B12MP11	FC/MC/PC43B	23.4	3.90	1.76	12.3	2.48	1.45	8.20
YHJD24S41S7	TMLX080C16MP11	FC/MC/PC43C	23.6	3.80	1.82	12.5	2.40	1.53	8.20
YHJD24S41S7	TMLX100C16MP11	FC/MC/PC43C	23.6	3.80	1.82	12.5	2.40	1.53	8.20
YHJD24S41S7	Y*(8,L)C*A12	FC/MC/PC32A	22.8	3.64	1.84	11.8	2.40	1.44	8.20
YHJD24S41S7	Y*(8,L)C*A12	FC/MC/PC37A	23.4	3.88	1.77	12.3	2.48	1.45	8.20
YHJD24S41S7	Y*(8,L)C*B12	FC/MC/PC35B	22.8	3.64	1.84	11.8	2.40	1.44	8.20
YHJD24S41S7	Y*(8,L)C*B12	FC/MC/PC43B	23.4	3.90	1.76	12.3	2.48	1.45	8.20
YHJD24S41S7	Y*(8,L)C*C16	FC/MC/PC35C	22.8	3.68	1.82	11.8	2.42	1.43	8.20
YHJD24S41S7	Y*(8,L)C*C16	FC/MC/PC43C	23.4	3.94	1.74	12.2	2.50	1.43	8.20
YHJD24S41S7	Y*(8,L)C*C20	FC/MC/PC35C	22.8	3.82	1.75	12.1	2.46	1.44	8.20
YHJD24S41S7	Y*(8,L)C*C20	FC/MC/PC43C	23.0	3.90	1.73	12.1	2.48	1.43	8.20
YHJD24S41S7	Y*9C*B12	FC/MC/PC35B	22.8	3.56	1.88	11.5	2.36	1.43	8.20
YHJD24S41S7	Y*9C*B12	FC/MC/PC43B	23.4	3.88	1.77	12.4	2.46	1.48	8.20
YHJD24S41S7	Y*9C*C16	FC/MC/PC35C	22.8	3.68	1.82	11.8	2.42	1.43	8.20
YHJD24S41S7	Y*9C*C16	FC/MC/PC43C	23.4	3.90	1.76	12.3	2.48	1.45	8.20
YHJD24S41S7	Y*9C*C20	FC/MC/PC35C	22.8	3.80	1.76	12.1	2.46	1.44	8.20
YHJD24S41S7	Y*9C*C20	FC/MC/PC43C	23.8	4.00	1.74	12.7	2.50	1.49	8.20
YHJD30S41S7	T*(8,L)V*A12	FC/MC/PC32A	28.4	3.64	2.29	13.1	2.26	1.70	8.20
YHJD30S41S7	T*(8,L)V*A12	FC/MC/PC37A	28.6	3.82	2.19	13.8	2.26	1.79	8.20
YHJD30S41S7	T*(8,L)V*B12	FC/MC/PC43B	29.0	3.86	2.20	14.0	2.28	1.80	8.20
YHJD30S41S7	T*(8,L)V*C16	FC/MC/PC35C	28.4	3.82	2.18	13.6	2.28	1.75	8.20
YHJD30S41S7	T*(8,L)V*C16	FC/MC/PC43C	28.8	3.94	2.14	13.8	2.34	1.73	8.20
YHJD30S41S7	T*(8,L)V*C20	FC/MC/PC35C	28.4	3.78	2.20	13.7	2.26	1.78	8.20
YHJD30S41S7	T*(8,L)V*C20	FC/MC/PC43C	28.6	4.00	2.09	13.7	2.38	1.69	8.20
YHJD30S41S7	T*9V*B12	FC/MC/PC43B	29.0	3.84	2.21	14.1	2.26	1.83	8.20
YHJD30S41S7	T*9V*C16	FC/MC/PC35C	28.4	3.82	2.18	13.7	2.28	1.76	8.20
YHJD30S41S7	T*9V*C16	FC/MC/PC43C	28.8	3.88	2.17	14.0	2.30	1.78	8.20
YHJD30S41S7	T*9V*C20	FC/MC/PC35C	28.4	3.82	2.18	13.7	2.28	1.76	8.20
YHJD30S41S7	T*9V*C20	FC/MC/PC43C	28.8	3.94	2.14	13.8	2.34	1.73	8.20
YHJD30S41S7	TM8X080B12MP11	FC/MC/PC35B	28.4	3.74	2.22	13.8	2.24	1.81	8.20
YHJD30S41S7	TM8X080B12MP11	FC/MC/PC43B	28.8	3.90	2.16	13.9	2.32	1.76	8.20

For Notes see Page 19

HEATING CAPACITY - With High Efficiency Motor Furnaces (Continued)

UNIT MODEL	FURNACE MODEL	COIL ¹ MODEL	HEATING ²						
			47°F			17°F			HSPF
			MBH	COP	KW	MBH	COP	KW	STD
14 SEER HP WITH HIGH EFFICIENCY MOTOR FURNACES³									
YHJD30S41S7	TM8X080C16MP11	FC/MC/PC35C	28.4	3.86	2.16	13.6	2.30	1.73	8.20
YHJD30S41S7	TM8X080C16MP11	FC/MC/PC43C	28.4	3.90	2.13	13.6	2.32	1.72	8.20
YHJD30S41S7	TM8X100C16MP11	FC/MC/PC35C	28.4	3.86	2.16	13.6	2.30	1.73	8.20
YHJD30S41S7	TM8X100C16MP11	FC/MC/PC43C	28.4	3.90	2.13	13.6	2.32	1.72	8.20
YHJD30S41S7	TM8X100C20MP11	FC/MC/PC35C	28.4	3.84	2.17	13.6	2.30	1.73	8.20
YHJD30S41S7	TM8X100C20MP11	FC/MC/PC43C	28.8	3.94	2.14	13.8	2.34	1.73	8.20
YHJD30S41S7	TM8X120C20MP11	FC/MC/PC35C	28.4	3.84	2.17	13.6	2.30	1.73	8.20
YHJD30S41S7	TM8X120C20MP11	FC/MC/PC43C	28.8	3.94	2.14	13.8	2.34	1.73	8.20
YHJD30S41S7	TM9E060B12MP11	FC/MC/PC35B	28.4	3.74	2.22	13.8	2.24	1.81	8.20
YHJD30S41S7	TM9E060B12MP11	FC/MC/PC43B	28.6	3.82	2.19	13.8	2.28	1.77	8.20
YHJD30S41S7	TM9E080B12MP11	FC/MC/PC35B	28.4	3.74	2.22	13.8	2.24	1.81	8.20
YHJD30S41S7	TM9E080B12MP11	FC/MC/PC43B	28.6	3.82	2.19	13.8	2.28	1.77	8.20
YHJD30S41S7	TM9E080C16MP11	FC/MC/PC35C	28.4	3.82	2.18	13.6	2.28	1.75	8.20
YHJD30S41S7	TM9E080C16MP11	FC/MC/PC43C	28.8	3.94	2.14	13.9	2.34	1.74	8.20
YHJD30S41S7	TM9E100C16MP11	FC/MC/PC35C	28.4	3.82	2.18	13.6	2.28	1.75	8.20
YHJD30S41S7	TM9E100C16MP11	FC/MC/PC43C	28.8	3.94	2.14	13.9	2.34	1.74	8.20
YHJD30S41S7	TMLX080B12MP11	FC/MC/PC35B	28.4	3.74	2.22	13.8	2.24	1.81	8.20
YHJD30S41S7	TMLX080B12MP11	FC/MC/PC43B	28.8	3.90	2.16	13.9	2.32	1.76	8.20
YHJD30S41S7	TMLX080C16MP11	FC/MC/PC35C	28.4	3.86	2.16	13.6	2.30	1.73	8.20
YHJD30S41S7	TMLX080C16MP11	FC/MC/PC43C	28.4	3.90	2.13	13.6	2.32	1.72	8.20
YHJD30S41S7	TMLX100C16MP11	FC/MC/PC35C	28.4	3.86	2.16	13.6	2.30	1.73	8.20
YHJD30S41S7	TMLX100C16MP11	FC/MC/PC43C	28.4	3.90	2.13	13.6	2.32	1.72	8.20
YHJD30S41S7	TMLX100C20MP11	FC/MC/PC35C	28.4	3.84	2.17	13.6	2.30	1.73	8.20
YHJD30S41S7	TMLX100C20MP11	FC/MC/PC43C	28.8	3.94	2.14	13.8	2.34	1.73	8.20
YHJD30S41S7	TMLX120C20MP11	FC/MC/PC35C	28.4	3.84	2.17	13.6	2.30	1.73	8.20
YHJD30S41S7	TMLX120C20MP11	FC/MC/PC43C	28.8	3.94	2.14	13.8	2.34	1.73	8.20
YHJD30S41S7	Y*(8,L)C*A12	FC/MC/PC32A	28.4	3.64	2.29	13.1	2.26	1.70	8.20
YHJD30S41S7	Y*(8,L)C*A12	FC/MC/PC37A	28.6	3.82	2.19	13.8	2.26	1.79	8.20
YHJD30S41S7	Y*(8,L)C*B12	FC/MC/PC43B	29.0	3.86	2.20	14.0	2.28	1.80	8.20
YHJD30S41S7	Y*(8,L)C*C16	FC/MC/PC35C	28.4	3.82	2.18	13.6	2.28	1.75	8.20
YHJD30S41S7	Y*(8,L)C*C16	FC/MC/PC43C	28.8	3.94	2.14	13.8	2.34	1.73	8.20
YHJD30S41S7	Y*(8,L)C*C20	FC/MC/PC35C	28.4	3.78	2.20	13.7	2.26	1.78	8.20
YHJD30S41S7	Y*(8,L)C*C20	FC/MC/PC43C	28.6	4.00	2.09	13.7	2.38	1.69	8.20
YHJD30S41S7	Y*9C*B12	FC/MC/PC43B	29.0	3.84	2.21	14.1	2.26	1.83	8.20
YHJD30S41S7	Y*9C*C16	FC/MC/PC35C	28.4	3.82	2.18	13.7	2.28	1.76	8.20
YHJD30S41S7	Y*9C*C16	FC/MC/PC43C	28.8	3.88	2.17	14.0	2.30	1.78	8.20
YHJD30S41S7	Y*9C*C20	FC/MC/PC35C	28.4	3.82	2.18	13.7	2.28	1.76	8.20
YHJD30S41S7	Y*9C*C20	FC/MC/PC43C	28.8	3.94	2.14	13.8	2.34	1.73	8.20
YHJD36S41S7	T*(8,L)V*B12	FC/MC/PC43B	34.2	3.60	2.78	18.0	2.40	2.20	8.20
YHJD36S41S7	T*(8,L)V*C16	FC/MC/PC43C	35.0	3.74	2.74	18.4	2.46	2.19	8.20
YHJD36S41S7	T*(8,L)V*C16	FC/MC/PC48C	35.0	3.76	2.73	18.3	2.48	2.16	8.20
YHJD36S41S7	T*(8,L)V*C20	FC/MC/PC43C	35.0	3.74	2.74	18.3	2.46	2.18	8.20
YHJD36S41S7	T*(8,L)V*C20	FC/MC/PC48C	35.0	3.78	2.71	18.2	2.48	2.15	8.20
YHJD36S41S7	T*9V*C16	FC/MC/PC48C	35.2	3.72	2.77	18.4	2.44	2.21	8.20
YHJD36S41S7	T*9V*C20	FC/MC/PC43C	35.2	3.72	2.77	18.4	2.44	2.21	8.20
YHJD36S41S7	T*9V*C20	FC/MC/PC48C	35.4	3.78	2.74	19.0	2.46	2.26	8.20
YHJD36S41S7	T*9V*D20	FC/MC/PC48D	35.4	3.80	2.73	18.6	2.48	2.20	8.20
YHJD36S41S7	TM8X080C16MP11	FC/MC/PC43C	34.6	3.70	2.74	18.3	2.46	2.18	8.20
YHJD36S41S7	TM8X080C16MP11	FC/MC/PC48C	35.0	3.76	2.73	18.3	2.48	2.16	8.20
YHJD36S41S7	TM8X080C16MP11	FC/MC/PC48D	35.0	3.76	2.73	18.3	2.48	2.16	8.20
YHJD36S41S7	TM8X100C16MP11	FC/MC/PC43C	34.6	3.70	2.74	18.3	2.46	2.18	8.20
YHJD36S41S7	TM8X100C16MP11	FC/MC/PC48C	35.0	3.76	2.73	18.3	2.48	2.16	8.20
YHJD36S41S7	TM8X100C16MP11	FC/MC/PC48D	35.0	3.76	2.73	18.3	2.48	2.16	8.20
YHJD36S41S7	TM8X100C20MP11	FC/MC/PC43C	35.2	3.74	2.76	18.4	2.46	2.19	8.20
YHJD36S41S7	TM8X100C20MP11	FC/MC/PC48C	35.0	3.74	2.74	18.4	2.46	2.19	8.20
YHJD36S41S7	TM8X100C20MP11	FC/MC/PC48D	35.2	3.74	2.76	18.4	2.44	2.21	8.20

For Notes see Page 19

HEATING CAPACITY - With High Efficiency Motor Furnaces (Continued)

UNIT MODEL	FURNACE MODEL	COIL ¹ MODEL	HEATING ²						
			47°F			17°F			HSPF
			MBH	COP	KW	MBH	COP	KW	STD
14 SEER HP WITH HIGH EFFICIENCY MOTOR FURNACES³									
YHJD36S41S7	TM8X120C20MP11	FC/MC/PC43C	35.2	3.74	2.76	18.4	2.46	2.19	8.20
YHJD36S41S7	TM8X120C20MP11	FC/MC/PC48C	35.0	3.74	2.74	18.4	2.46	2.19	8.20
YHJD36S41S7	TM8X120C20MP11	FC/MC/PC48D	35.2	3.74	2.76	18.4	2.44	2.21	8.20
YHJD36S41S7	TM9E080C16MP11	FC/MC/PC43C	34.8	3.66	2.79	18.4	2.44	2.21	8.20
YHJD36S41S7	TM9E080C16MP11	FC/MC/PC48C	35.2	3.72	2.77	18.4	2.44	2.21	8.20
YHJD36S41S7	TM9E080C16MP11	FC/MC/PC48D	35.2	3.72	2.77	18.4	2.44	2.21	8.20
YHJD36S41S7	TM9E100C16MP11	FC/MC/PC43C	34.8	3.66	2.79	18.4	2.44	2.21	8.20
YHJD36S41S7	TM9E100C16MP11	FC/MC/PC48C	35.2	3.72	2.77	18.4	2.44	2.21	8.20
YHJD36S41S7	TM9E100C16MP11	FC/MC/PC48D	35.2	3.72	2.77	18.4	2.44	2.21	8.20
YHJD36S41S7	TM9E100C20MP11	FC/MC/PC43C	34.6	3.68	2.75	18.3	2.44	2.20	8.20
YHJD36S41S7	TM9E100C20MP11	FC/MC/PC48C	35.2	3.72	2.77	18.4	2.44	2.21	8.20
YHJD36S41S7	TM9E100C20MP11	FC/MC/PC48D	35.0	3.74	2.74	18.3	2.46	2.18	8.20
YHJD36S41S7	TM9E120D20MP11	FC/MC/PC48D	35.0	3.76	2.73	18.3	2.46	2.18	8.20
YHJD36S41S7	TMLX080C16MP11	FC/MC/PC43C	34.6	3.70	2.74	18.3	2.46	2.18	8.20
YHJD36S41S7	TMLX080C16MP11	FC/MC/PC48C	35.0	3.76	2.73	18.3	2.48	2.16	8.20
YHJD36S41S7	TMLX080C16MP11	FC/MC/PC48D	35.0	3.76	2.73	18.3	2.48	2.16	8.20
YHJD36S41S7	TMLX100C16MP11	FC/MC/PC43C	34.6	3.70	2.74	18.3	2.46	2.18	8.20
YHJD36S41S7	TMLX100C16MP11	FC/MC/PC48C	35.0	3.76	2.73	18.3	2.48	2.16	8.20
YHJD36S41S7	TMLX100C16MP11	FC/MC/PC48D	35.0	3.76	2.73	18.3	2.48	2.16	8.20
YHJD36S41S7	TMLX100C20MP11	FC/MC/PC43C	35.2	3.74	2.76	18.4	2.46	2.19	8.20
YHJD36S41S7	TMLX100C20MP11	FC/MC/PC48C	35.0	3.74	2.74	18.4	2.46	2.19	8.20
YHJD36S41S7	TMLX100C20MP11	FC/MC/PC48D	35.2	3.74	2.76	18.4	2.44	2.21	8.20
YHJD36S41S7	TMLX120C20MP11	FC/MC/PC43C	35.2	3.74	2.76	18.4	2.46	2.19	8.20
YHJD36S41S7	TMLX120C20MP11	FC/MC/PC48C	35.0	3.74	2.74	18.4	2.46	2.19	8.20
YHJD36S41S7	TMLX120C20MP11	FC/MC/PC48D	35.2	3.74	2.76	18.4	2.44	2.21	8.20
YHJD36S41S7	Y*(8,L)C*B12	FC/MC/PC43B	34.2	3.60	2.78	18.0	2.40	2.20	8.20
YHJD36S41S7	Y*(8,L)C*C16	FC/MC/PC43C	35.0	3.74	2.74	18.4	2.46	2.19	8.20
YHJD36S41S7	Y*(8,L)C*C16	FC/MC/PC48C	35.0	3.76	2.73	18.3	2.48	2.16	8.20
YHJD36S41S7	Y*(8,L)C*C20	FC/MC/PC43C	35.0	3.74	2.74	18.3	2.46	2.18	8.20
YHJD36S41S7	Y*(8,L)C*C20	FC/MC/PC48C	35.0	3.78	2.71	18.2	2.48	2.15	8.20
YHJD36S41S7	Y*9C*C16	FC/MC/PC48C	35.2	3.72	2.77	18.4	2.44	2.21	8.20
YHJD36S41S7	Y*9C*C20	FC/MC/PC43C	35.2	3.72	2.77	18.4	2.44	2.21	8.20
YHJD36S41S7	Y*9C*C20	FC/MC/PC48C	35.4	3.78	2.74	19.0	2.46	2.26	8.20
YHJD36S41S7	Y*9C*D20	FC/MC/PC48D	35.4	3.80	2.73	18.6	2.48	2.20	8.20
YHJD42S41S7	T*(8,L)V*C16	FC/MC/PC48C	39.5	3.72	3.11	20.6	2.42	2.49	8.20
YHJD42S41S7	T*(8,L)V*C16	FC/MC/PC48D	39.5	3.72	3.11	20.6	2.42	2.49	8.20
YHJD42S41S7	T*(8,L)V*C16	FC/PC60C	39.5	3.88	2.98	22.4	2.60	2.52	8.20
YHJD42S41S7	T*(8,L)V*C20	FC/MC/PC48C	39.5	3.72	3.11	20.6	2.42	2.49	8.20
YHJD42S41S7	T*(8,L)V*C20	FC/MC/PC48D	39.5	3.72	3.11	20.6	2.42	2.49	8.20
YHJD42S41S7	T*(8,L)V*C20	FC/PC60C	39.5	3.92	2.95	22.4	2.64	2.49	8.20
YHJD42S41S7	T*9V*C16	FC/MC/PC48C	39.5	3.70	3.13	20.8	2.40	2.54	8.20
YHJD42S41S7	T*9V*C16	FC/MC/PC48D	39.5	3.70	3.13	20.8	2.40	2.54	8.20
YHJD42S41S7	T*9V*C16	FC/PC60C	39.5	3.78	3.06	22.8	2.54	2.63	8.20
YHJD42S41S7	T*9V*C20	FC/MC/PC48C	39.0	3.68	3.11	20.8	2.38	2.56	8.20
YHJD42S41S7	T*9V*C20	FC/MC/PC48D	39.0	3.68	3.11	20.8	2.38	2.56	8.20
YHJD42S41S7	T*9V*C20	FC/PC60C	39.0	3.82	2.99	22.6	2.56	2.59	8.20
YHJD42S41S7	T*9V*D20	FC/MC/PC48D	39.5	3.70	3.13	20.6	2.40	2.51	8.20
YHJD42S41S7	T*9V*D20	FC/MC/PC60D	39.0	3.86	2.96	22.6	2.60	2.55	8.20
YHJD42S41S7	TM8X080C16MP11	FC/MC/PC48C	39.5	3.72	3.11	20.6	2.42	2.49	8.20
YHJD42S41S7	TM8X080C16MP11	FC/MC/PC48D	39.5	3.74	3.09	20.6	2.42	2.49	8.20
YHJD42S41S7	TM8X080C16MP11	FC/PC60C	39.5	3.80	3.05	21.6	2.44	2.59	8.20
YHJD42S41S7	TM8X100C16MP11	FC/MC/PC48C	39.5	3.72	3.11	20.6	2.42	2.49	8.20
YHJD42S41S7	TM8X100C16MP11	FC/MC/PC48D	39.5	3.74	3.09	20.6	2.42	2.49	8.20
YHJD42S41S7	TM8X100C16MP11	FC/PC60C	39.5	3.80	3.05	21.6	2.44	2.59	8.20
YHJD42S41S7	TM8X100C20MP11	FC/MC/PC48C	39.5	3.74	3.09	20.6	2.42	2.49	8.20
YHJD42S41S7	TM8X100C20MP11	FC/MC/PC48D	39.5	3.74	3.09	20.6	2.42	2.49	8.20

For Notes see Page 19

HEATING CAPACITY - With High Efficiency Motor Furnaces (Continued)

UNIT MODEL	FURNACE MODEL	COIL ¹ MODEL	HEATING ²						
			47°F			17°F			HSPF
			MBH	COP	KW	MBH	COP	KW	STD
14 SEER HP WITH HIGH EFFICIENCY MOTOR FURNACES³									
YHJD42S41S7	TM8X100C20MP11	FC/PC60C	39.5	3.80	3.05	21.6	2.44	2.59	8.20
YHJD42S41S7	TM8X120C20MP11	FC/MC/PC48C	39.5	3.74	3.09	20.6	2.42	2.49	8.20
YHJD42S41S7	TM8X120C20MP11	FC/MC/PC48D	39.5	3.74	3.09	20.6	2.42	2.49	8.20
YHJD42S41S7	TM8X120C20MP11	FC/PC60C	39.5	3.80	3.05	21.6	2.44	2.59	8.20
YHJD42S41S7	TM9E100C20MP11	FC/MC/PC48C	39.5	3.72	3.11	20.6	2.42	2.49	8.20
YHJD42S41S7	TM9E100C20MP11	FC/MC/PC48D	39.5	3.74	3.09	20.6	2.42	2.49	8.20
YHJD42S41S7	TM9E120D20MP11	FC/MC/PC48D	39.5	3.74	3.09	20.6	2.44	2.47	8.20
YHJD42S41S7	TM9E120D20MP11	FC/MC/PC60D	39.5	3.76	3.08	21.6	2.44	2.59	8.20
YHJD42S41S7	TMLX080C16MP11	FC/MC/PC48C	39.5	3.72	3.11	20.6	2.42	2.49	8.20
YHJD42S41S7	TMLX080C16MP11	FC/MC/PC48D	39.5	3.74	3.09	20.6	2.42	2.49	8.20
YHJD42S41S7	TMLX080C16MP11	FC/PC60C	39.5	3.80	3.05	21.6	2.44	2.59	8.20
YHJD42S41S7	TMLX100C16MP11	FC/MC/PC48C	39.5	3.72	3.11	20.6	2.42	2.49	8.20
YHJD42S41S7	TMLX100C16MP11	FC/MC/PC48D	39.5	3.74	3.09	20.6	2.42	2.49	8.20
YHJD42S41S7	TMLX100C16MP11	FC/PC60C	39.5	3.80	3.05	21.6	2.44	2.59	8.20
YHJD42S41S7	TMLX100C20MP11	FC/MC/PC48C	39.5	3.74	3.09	20.6	2.42	2.49	8.20
YHJD42S41S7	TMLX100C20MP11	FC/MC/PC48D	39.5	3.74	3.09	20.6	2.42	2.49	8.20
YHJD42S41S7	TMLX100C20MP11	FC/PC60C	39.5	3.80	3.05	21.6	2.44	2.59	8.20
YHJD42S41S7	TMLX120C20MP11	FC/MC/PC48C	39.5	3.74	3.09	20.6	2.42	2.49	8.20
YHJD42S41S7	TMLX120C20MP11	FC/MC/PC48D	39.5	3.74	3.09	20.6	2.42	2.49	8.20
YHJD42S41S7	TMLX120C20MP11	FC/PC60C	39.5	3.80	3.05	21.6	2.44	2.59	8.20
YHJD42S41S7	Y*(8,L)C*C16	FC/MC/PC48C	39.5	3.72	3.11	20.6	2.42	2.49	8.20
YHJD42S41S7	Y*(8,L)C*C16	FC/MC/PC48D	39.5	3.72	3.11	20.6	2.42	2.49	8.20
YHJD42S41S7	Y*(8,L)C*C16	FC/PC60C	39.5	3.88	2.98	22.4	2.60	2.52	8.20
YHJD42S41S7	Y*(8,L)C*C20	FC/MC/PC48C	39.5	3.72	3.11	20.6	2.42	2.49	8.20
YHJD42S41S7	Y*(8,L)C*C20	FC/MC/PC48D	39.5	3.72	3.11	20.6	2.42	2.49	8.20
YHJD42S41S7	Y*(8,L)C*C20	FC/PC60C	39.5	3.92	2.95	22.4	2.64	2.49	8.20
YHJD42S41S7	Y*9C*C16	FC/MC/PC48C	39.5	3.70	3.13	20.8	2.40	2.54	8.20
YHJD42S41S7	Y*9C*C16	FC/MC/PC48D	39.5	3.70	3.13	20.8	2.40	2.54	8.20
YHJD42S41S7	Y*9C*C16	FC/PC60C	39.5	3.78	3.06	22.8	2.54	2.63	8.20
YHJD42S41S7	Y*9C*C20	FC/MC/PC48C	39.0	3.68	3.11	20.8	2.38	2.56	8.20
YHJD42S41S7	Y*9C*C20	FC/MC/PC48D	39.0	3.68	3.11	20.8	2.38	2.56	8.20
YHJD42S41S7	Y*9C*C20	FC/PC60C	39.0	3.82	2.99	22.6	2.56	2.59	8.20
YHJD42S41S7	Y*9C*D20	FC/MC/PC48D	39.5	3.70	3.13	20.6	2.40	2.51	8.20
YHJD42S41S7	Y*9C*D20	FC/MC/PC60D	39.0	3.86	2.96	22.6	2.60	2.55	8.20
YHJD48S41S7	T*(8,L)V*C16	FC/MC62D	45.0	3.34	3.95	24.8	2.42	3.00	8.20
YHJD48S41S7	T*(8,L)V*C20	FC/MC/PC60D	46.0	3.60	3.74	24.2	2.42	2.93	8.20
YHJD48S41S7	T*(8,L)V*C20	FC/MC62D	45.0	3.38	3.90	24.6	2.46	2.93	8.20
YHJD48S41S7	T*(8,L)V*C20	FC/PC60C	46.0	3.60	3.74	24.2	2.42	2.93	8.20
YHJD48S41S7	T*9V*D20	FC/MC62D	45.0	3.34	3.95	24.8	2.42	3.00	8.20
YHJD48S41S7	TM8X080C16MP11	FC/MC62D	45.0	3.34	3.95	24.8	2.44	2.98	8.20
YHJD48S41S7	TM8X100C16MP11	FC/MC62D	45.0	3.34	3.95	24.8	2.44	2.98	8.20
YHJD48S41S7	TM8X100C20MP11	FC/MC/PC60D	46.0	3.60	3.74	24.4	2.40	2.98	8.20
YHJD48S41S7	TM8X100C20MP11	FC/MC62D	45.0	3.36	3.92	24.6	2.44	2.95	8.20
YHJD48S41S7	TM8X120C20MP11	FC/MC/PC60D	46.0	3.60	3.74	24.4	2.40	2.98	8.20
YHJD48S41S7	TM8X120C20MP11	FC/MC62D	45.0	3.36	3.92	24.6	2.44	2.95	8.20
YHJD48S41S7	TM9E100C20MP11	FC/MC62D	45.0	3.34	3.95	24.8	2.44	2.98	8.20
YHJD48S41S7	TM9E120D20MP11	FC/MC62D	45.0	3.30	4.00	24.4	2.42	2.95	8.20
YHJD48S41S7	TMLX080C16MP11	FC/MC62D	45.0	3.34	3.95	24.8	2.44	2.98	8.20
YHJD48S41S7	TMLX100C16MP11	FC/MC62D	45.0	3.34	3.95	24.8	2.44	2.98	8.20
YHJD48S41S7	TMLX100C20MP11	FC/MC/PC60D	46.0	3.60	3.74	24.4	2.40	2.98	8.20
YHJD48S41S7	TMLX100C20MP11	FC/MC62D	45.0	3.36	3.92	24.6	2.44	2.95	8.20
YHJD48S41S7	TMLX120C20MP11	FC/MC/PC60D	46.0	3.60	3.74	24.4	2.40	2.98	8.20
YHJD48S41S7	TMLX120C20MP11	FC/MC62D	45.0	3.36	3.92	24.6	2.44	2.95	8.20
YHJD48S41S7	Y*(8,L)C*C16	FC/MC62D	45.0	3.34	3.95	24.8	2.42	3.00	8.20
YHJD48S41S7	Y*(8,L)C*C20	FC/MC/PC60D	46.0	3.60	3.74	24.2	2.42	2.93	8.20
YHJD48S41S7	Y*(8,L)C*C20	FC/MC62D	45.0	3.38	3.90	24.6	2.46	2.93	8.20

For Notes see Page 19

HEATING CAPACITY - With High Efficiency Motor Furnaces (Continued)

UNIT MODEL	FURNACE MODEL	COIL ¹ MODEL	HEATING ²						
			47°F			17°F			HSPF
			MBH	COP	KW	MBH	COP	KW	STD
14 SEER HP WITH HIGH EFFICIENCY MOTOR FURNACES³									
YHJD48S41S7	Y*(8,L)C*C20	FC/PC60C	46.0	3.60	3.74	24.2	2.42	2.93	8.20
YHJD48S41S7	Y*9C*D20	FC/MC62D	45.0	3.34	3.95	24.8	2.42	3.00	8.20
YHJD60S41S7	T*(8,L)V*C20	FC/MC62D	57.0	3.60	4.64	37.8	2.42	4.58	8.20
YHJD60S41S7	T*(8,L)V*C20	FC64D	57.0	3.82	4.37	38.5	2.50	4.51	8.20
YHJD60S41S7	T*9V*C20	FC/MC62D	57.0	3.58	4.67	38.0	2.42	4.60	8.20
YHJD60S41S7	T*9V*C20	FC64D	57.0	3.70	4.51	38.0	2.46	4.53	8.20
YHJD60S41S7	T*9V*D20	FC/MC62D	57.0	3.60	4.64	37.8	2.44	4.54	8.20
YHJD60S41S7	T*9V*D20	FC64D	57.0	3.72	4.49	37.8	2.48	4.47	8.20
YHJD60S41S7	TM8X100C20MP11	FC/MC62D	57.0	3.64	4.59	37.6	2.46	4.48	8.20
YHJD60S41S7	TM8X100C20MP11	FC64D	57.0	3.72	4.49	37.4	2.48	4.42	8.20
YHJD60S41S7	TM8X120C20MP11	FC/MC62D	57.0	3.64	4.59	37.6	2.46	4.48	8.20
YHJD60S41S7	TM8X120C20MP11	FC64D	57.0	3.72	4.49	37.4	2.48	4.42	8.20
YHJD60S41S7	TM9E100C20MP11	FC/MC62D	57.0	3.56	4.69	37.6	2.40	4.59	8.20
YHJD60S41S7	TM9E100C20MP11	FC64D	57.0	3.66	4.56	37.8	2.46	4.50	8.20
YHJD60S41S7	TM9E120D20MP11	FC/MC62D	57.0	3.56	4.69	37.6	2.42	4.55	8.20
YHJD60S41S7	TM9E120D20MP11	FC64D	57.0	3.64	4.59	37.6	2.46	4.48	8.20
YHJD60S41S7	TMLX100C20MP11	FC/MC62D	57.0	3.64	4.59	37.6	2.46	4.48	8.20
YHJD60S41S7	TMLX100C20MP11	FC64D	57.0	3.72	4.49	37.4	2.48	4.42	8.20
YHJD60S41S7	TMLX120C20MP11	FC/MC62D	57.0	3.64	4.59	37.6	2.46	4.48	8.20
YHJD60S41S7	TMLX120C20MP11	FC64D	57.0	3.72	4.49	37.4	2.48	4.42	8.20
YHJD60S41S7	Y*(8,L)C*C20	FC/MC62D	57.0	3.60	4.64	37.8	2.42	4.58	8.20
YHJD60S41S7	Y*(8,L)C*C20	FC64D	57.0	3.82	4.37	38.5	2.50	4.51	8.20
YHJD60S41S7	Y*9C*C20	FC/MC62D	57.0	3.58	4.67	38.0	2.42	4.60	8.20
YHJD60S41S7	Y*9C*C20	FC64D	57.0	3.70	4.51	38.0	2.46	4.53	8.20
YHJD60S41S7	Y*9C*D20	FC/MC62D	57.0	3.60	4.64	37.8	2.44	4.54	8.20
YHJD60S41S7	Y*9C*D20	FC64D	57.0	3.72	4.49	37.8	2.48	4.47	8.20

1. Rated CFM same as for cooling.

2. Heating MBH based on AHRI standards of 70 °F DB (Dry Bulb) entering indoor air, 72% RH (Relative Humidity) outdoor air with 25 feet of interconnecting piping and no supplemental electric heat operation.

3. High Efficiency Motor Furnaces have B.O.D (Blower on Delay) standard.

COP equals MBH output divided by (total KW input x 3.412).

HSPF (Heating Seasonal Performance Factor) is the total heating output during a normal annual usage period for heating divided by the total electric power input during the same period.

PSC furnaces, such as the TG8S, TGLS, and TG9S, use Coil Only Ratings.

— = Not Applicable.

ACCESSORIES

Refer to Price Manual for specific model numbers.

Application Limits		
Maximum Lineset Equivalent Length		75 Ft
Outdoor Ambient Temperature Limits		
Cooling Operation	Maximum DB	115°F
	Minimum DB	50°F
Heating Operation	Maximum DB	75°F
	Minimum DB	-10°F

Long Lineset Applications - For installations with more than 75' of equivalent lineset length, refer to the current version of the **Piping Application Guide 247077-UAD-H-0209**, available in the Application Bulletins section on UPGnet.

Start Assist Kit (S1-2SA067) - Provides increased starting torque for areas with low voltage. See Hard Start Kit Accessory Installation Manual for Hard Start Kit part number for each model.

Blower Time Delay - Available to increase efficiency when installed. Installs on indoor section and maintains blower for approximately one minute after cooling thermostat has been satisfied.

SOUND POWER LEVEL - TYPICAL OCTAVE BAND SPECTRUM (db re. 1-pW)

SOUND POWER LEVEL - TYPICAL OCTAVE BAND SPECTRUM (without tone adjustment)											
Size	Test Condition	63	125	250	500	1000	2000	4000	8000	dBA	SQI
YHJD18S41S7	Cooling Mode	67	71	66	69	65	59	58	55	70	19.2
YHJD18S41S7	Heating Mode	68	70	66	68	67	61	60	57	71	19.2
YHJD24S41S7	Cooling Mode	70	70	66	70	70	64	61	58	73	19.2
YHJD24S41S7	Heating Mode	75	69	66	70	69	64	62	59	73	19.0
YHJD30S41S7	Cooling Mode	69	71	68	70	71	67	66	62	75	19.1
YHJD30S41S7	Heating Mode	70	73	67	69	70	65	64	62	74	19.1
YHJD36S41S7	Cooling Mode	72	73	71	72	73	67	66	63	76	19.0
YHJD36S41S7	Heating Mode	70	72	69	70	71	69	65	64	75	19.2
YHJD42S41S7	Cooling Mode	71	71	73	73	72	67	67	64	77	19.1
YHJD42S41S7	Heating Mode	71	71	71	72	72	69	69	65	77	19.1
YHJD48S41S7	Cooling Mode	72	71	68	69	66	62	57	53	71	19.1
YHJD48S41S7	Heating Mode	71	73	70	72	70	68	65	63	75	19.1
YHJD60S41S7	Cooling Mode	71	71	71	71	71	64	60	57	74	19.1
YHJD60S41S7	Heating Mode	70	70	70	70	70	64	62	62	73	19.2

Rated in accordance with ARI Standard 270

Low Temperature Cutout (S1-2LT06700224) - Prevents heat pump operation below -10 °F ambient temperature.

Compressor Blanket - Designed to further reduce the normal operating sound.

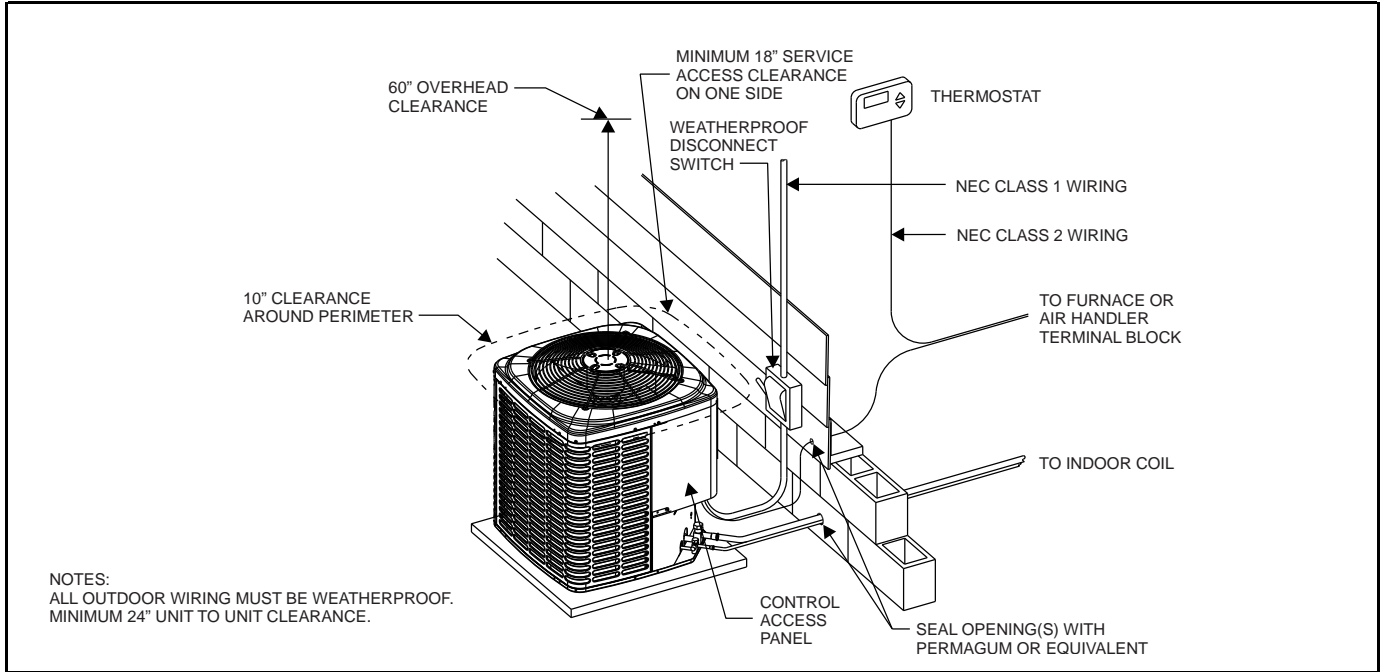
TXV Kits - S1-1TVM series thermal expansion valves precisely meter refrigerant for optimum performance over a wide range of conditions. See System Charge table for TXV part number for each model.

Outdoor Thermostat (S1-2TD06700124) - Provides additional staging of supplemental electric heat.

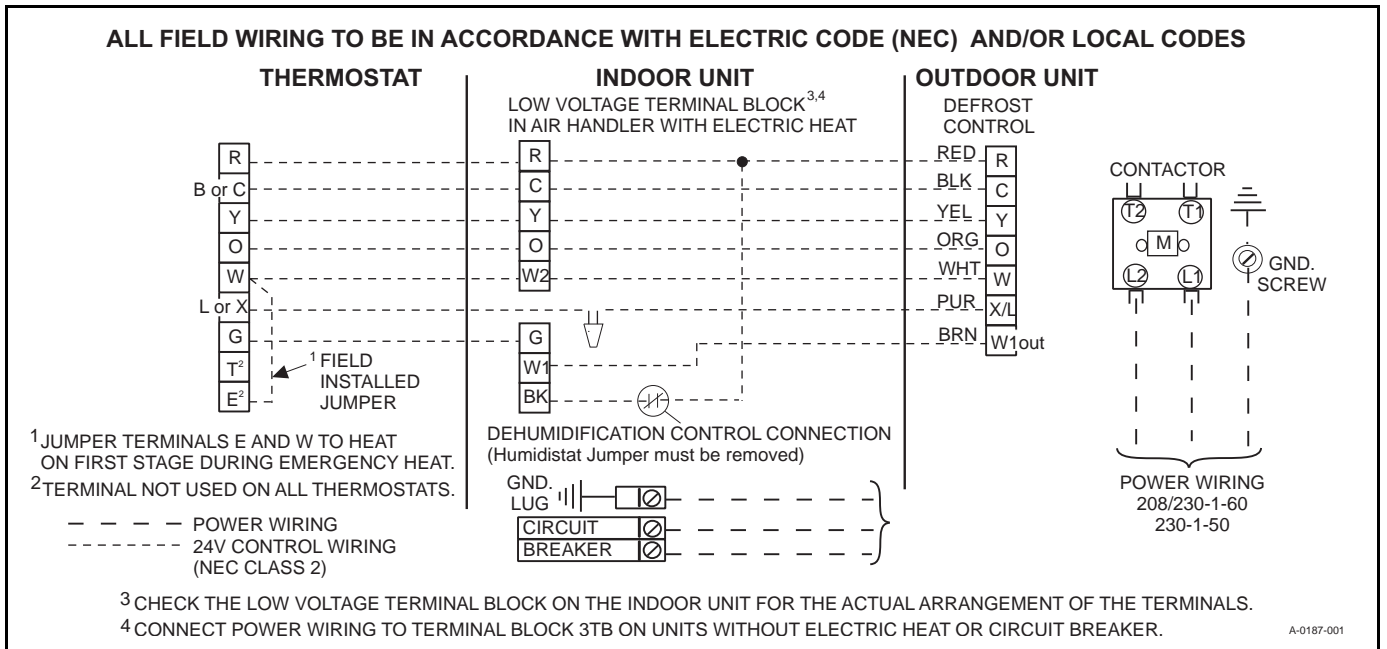
Low Ambient Pressure Switch Kit (S1-2LA06700424) - Allows the use of air conditioning at low outdoor ambient temperatures down to +20°F (-7°C). For use with single-stage models containing R-410A refrigerant only.

Thermostats - Compatible thermostat controls are available through accessory sourcing. For optimum performance and installation, refer to the UPGNET "Low Voltage Wiring Diagram" document to select and apply controls.

TYPICAL INSTALLATION



TYPICAL FIELD WIRING



COOLING PERFORMANCE DATA																	
CONDENSING UNIT MODEL NO		YHJD18S41S7															
AIR TEMP. ENTERING OUTDOOR UNIT (°F)	IDCFM	600					800					1000					
	ID DB (°F)	80	80	75	80	80	80	80	75	80	80	80	80	80	75	80	80
	ID WB (°F)	57	62	62	67	72	57	62	62	67	72	57	62	62	67	72	
65	T.C.	16.8	18.5	18.8	20.3	21.7	18.9	19.4	19.9	21.3	22.3	21.0	20.3	20.9	22.2	22.9	
	S.C.	16.8	15.4	13.3	13.2	11.1	18.9	18.2	15.6	15.1	12.0	21.0	20.3	17.8	17.0	12.9	
	KW	1.00	1.00	1.00	1.00	1.00	1.10	1.10	1.10	1.10	1.10	1.20	1.20	1.20	1.20	1.20	
75	T.C.	16.0	17.6	17.6	19.4	20.9	18.0	18.5	18.7	20.3	21.6	20.0	19.5	19.7	21.2	22.2	
	S.C.	16.0	14.9	12.8	12.8	10.6	18.0	17.6	15.0	14.7	11.6	20.0	19.5	17.3	16.7	12.6	
	KW	1.20	1.20	1.20	1.20	1.20	1.20	1.20	1.20	1.20	1.20	1.30	1.30	1.30	1.30	1.30	
85	T.C.	15.2	16.6	16.5	18.5	20.1	17.1	17.7	17.5	19.4	20.8	19.0	18.8	18.5	20.2	21.5	
	S.C.	15.2	14.4	12.2	12.4	10.2	17.1	17.0	14.5	14.4	11.2	19.0	18.8	16.7	16.4	12.3	
	KW	1.30	1.30	1.30	1.30	1.30	1.40	1.40	1.40	1.40	1.40	1.50	1.50	1.50	1.50	1.50	
95	T.C.	14.4	15.6	15.3	17.7	19.3	16.2	16.8	16.3	18.5	20.1	18.0	18.0	17.3	19.2	20.8	
	S.C.	14.4	13.9	11.7	11.9	9.7	16.2	16.3	13.9	14.0	10.8	18.0	18.0	16.2	16.1	11.9	
	KW	1.40	1.40	1.40	1.40	1.50	1.50	1.50	1.50	1.50	1.50	1.60	1.60	1.60	1.60	1.60	
105	T.C.	13.5	14.2	14.1	16.2	18.0	15.2	15.6	15.0	17.0	18.7	16.9	16.9	15.8	17.8	19.4	
	S.C.	13.5	13.3	11.1	11.3	9.1	15.2	15.4	13.3	13.4	10.3	16.9	16.9	15.5	15.5	11.5	
	KW	1.60	1.60	1.60	1.60	1.60	1.70	1.70	1.70	1.70	1.70	1.80	1.80	1.70	1.80	1.80	
115	T.C.	12.5	12.8	12.8	14.8	16.7	14.2	14.3	13.6	15.6	17.4	15.9	15.9	14.4	16.3	18.0	
	S.C.	12.5	12.6	10.5	10.7	8.6	14.2	14.3	12.7	12.8	9.8	15.9	15.9	14.4	14.9	11.0	
	KW	1.70	1.70	1.70	1.80	1.80	1.80	1.80	1.80	1.80	1.90	1.90	1.90	1.90	1.90	2.00	
125	T.C.	11.5	11.4	11.6	13.4	15.5	13.2	13.1	12.2	14.1	16.0	14.8	14.8	12.9	14.9	16.6	
	S.C.	11.5	11.4	9.9	10.0	8.0	13.2	13.1	12.1	12.2	9.3	14.8	14.8	12.9	14.4	10.6	
	KW	1.90	1.90	1.90	1.90	2.00	2.00	2.00	2.00	2.00	2.00	2.10	2.10	2.10	2.10	2.10	

NOTE: ALL CAPACITIES INCLUDE INDOOR FAN HEAT. KW VALUES ARE FOR THE SYSTEM (OUTDOOR + INDOOR).

Green shaded cells are ACCA (TVA) conditions. Blue shaded cells are AHRI conditions.

Multipliers for determining the performance with other indoor sections.

NOTE: For dry bulb temperatures different than those listed (between 73-87 °F), sensible capacity increases by 1060 BTUH per 1000 CFM per degree above the listed temperature and decreases by 1060 BTUH per 1000 CFM per degree below the listed temperature.

Some of the combinations shown in these multiplier tables are not valid for use in the U.S.A. Please see the Capacity Tables in the front of this Technical Guide for US matches, and verify matchups in the online AHRI directory at www.ahridirectory.org before sale. The matches shown at the end of this Technical Guide are for use in Canada Only.

Air Handlers	Coils	T.C.	S.C.	KW
–	FC/MC/PC24	0.97	0.95	1.09
–	FC/MC/PC30	0.97	0.95	1.09
–	FC/MC/PC32	0.97	0.96	1.09
–	FC/MC/PC35	0.97	0.96	1.09
AHE22B	–	0.97	0.95	1.00
AHE24B	–	0.97	0.96	1.00
AHE30B	–	0.97	0.96	1.00
AHV24B	–	0.97	0.94	1.00
AHV30B	–	0.97	0.96	1.00

Air Handlers	Coils	T.C.	S.C.	KW
MV12B	FC/MC24B	0.97	1.04	1.00
MV12B	FC/MC30B	0.97	0.95	1.00
MV12B	FC/MC35B	0.97	0.96	1.00
MX12BN21	FC/MC24B	0.97	1.00	1.00
MX12BN21	FC/MC30B	0.97	0.95	1.00
MX12BN21	FC/MC35B	0.97	0.95	1.00

Furnaces	Coils	T.C.	S.C.	KW
T*(8,L)V*A12	FC/MC/PC24A	1.02	1.14	1.16
T*(8,L)V*A12	FC/MC/PC30A	1.02	1.14	1.16
T*(8,L)V*A12	FC/MC/PC32A	1.02	1.14	1.11
T*(8,L)V*B12	FC/MC/PC24B	0.97	0.96	1.00
T*(8,L)V*B12	FC/MC/PC30B	0.97	0.92	1.00
T*(8,L)V*B12	FC/MC/PC35B	0.97	0.94	1.00
T*(8,L)V*C16	FC/MC/PC35C	1.02	1.14	1.11
T*9V*A10	FC/MC/PC24A	0.99	0.99	1.02
T*9V*A10	FC/MC/PC30A	0.97	0.96	1.01
T*9V*A10	FC/MC/PC32A	0.99	1.01	1.01
T*9V*B12	FC/MC/PC24B	0.97	0.96	1.00
T*9V*B12	FC/MC/PC30B	1.03	1.15	1.11
T*9V*B12	FC/MC/PC35B	1.03	1.14	1.08
T*9V*C16	FC/MC/PC35C	0.97	0.94	1.00
TM8X060A12MP11	FC/MC/PC24A	0.97	0.96	1.00
TM8X060A12MP11	FC/MC/PC30A	0.97	0.94	1.00
TM8X060A12MP11	FC/MC/PC32A	0.97	0.95	1.01
TM8X080B12MP11	FC/MC/PC24B	0.99	1.01	1.01
TM8X080B12MP11	FC/MC/PC30B	0.97	0.95	1.00
TM8X080B12MP11	FC/MC/PC35B	0.97	0.95	1.00
TM8X080C16MP11	FC/MC/PC35C	0.98	0.96	1.03
TM8X100C16MP11	FC/MC/PC35C	0.97	0.94	1.00
TM9E040A10MP11	FC/MC/PC30A	0.97	0.95	1.03
TM9E040A10MP11	FC/MC/PC32A	0.97	0.94	1.00
TM9E060B12MP11	FC/MC/PC24B	0.97	0.96	1.00
TM9E060B12MP11	FC/MC/PC30B	1.03	1.14	1.10
TM9E060B12MP11	FC/MC/PC35B	0.97	0.94	1.00

Furnaces	Coils	T.C.	S.C.	KW
TM9E080B12MP11	FC/MC/PC24B	1.03	1.16	1.09
TM9E080B12MP11	FC/MC/PC30B	0.97	0.96	1.00
TM9E080B12MP11	FC/MC/PC35B	0.97	0.96	1.00
TM9E080C16MP11	FC/MC/PC35C	1.03	1.14	1.10
TM9E100C16MP11	FC/MC/PC35C	0.97	0.94	1.00
TM9E100C20MP11	FC/MC/PC35C	1.03	1.15	1.10
TMLX060A12MP11	FC/MC/PC24A	1.03	1.14	1.10
TMLX060A12MP11	FC/MC/PC30A	0.97	0.98	1.00
TMLX060A12MP11	FC/MC/PC32A	1.03	1.16	1.10
TMLX080B12MP11	FC/MC/PC24B	1.03	1.14	1.10
TMLX080B12MP11	FC/MC/PC30B	0.97	0.94	1.00
TMLX080B12MP11	FC/MC/PC35B	1.03	1.16	1.10
TMLX080C16MP11	FC/MC/PC35C	0.96	0.96	1.03
TMLX100C16MP11	FC/MC/PC35C	1.01	1.12	1.16
Y*(8,L)C*A12	FC/MC/PC24A	1.02	1.14	1.16
Y*(8,L)C*A12	FC/MC/PC30A	1.02	1.14	1.16
Y*(8,L)C*A12	FC/MC/PC32A	1.02	1.14	1.11
Y*(8,L)C*B12	FC/MC/PC24B	0.97	0.96	1.00
Y*(8,L)C*B12	FC/MC/PC30B	0.97	0.92	1.00
Y*(8,L)C*B12	FC/MC/PC35B	0.97	0.94	1.00
Y*(8,L)C*C16	FC/MC/PC35C	1.02	1.14	1.11
Y*9C*B12	FC/MC/PC24B	0.97	0.96	1.00
Y*9C*B12	FC/MC/PC30B	1.03	1.15	1.11
Y*9C*B12	FC/MC/PC35B	1.03	1.14	1.08
Y*9C*C16	FC/MC/PC35C	0.97	0.94	1.00

COOLING PERFORMANCE DATA																	
CONDENSING UNIT MODEL NO		YHJD24S41S7															
AIR TEMP. ENTERING OUTDOOR UNIT (°F)	IDCFM	600					800					1000					
	ID DB (°F)	80	80	75	80	80	80	80	75	80	80	80	80	80	75	80	80
	ID WB (°F)	57	62	62	67	72	57	62	62	67	72	57	62	62	67	72	
65	T.C.	21.7	23.6	23.5	25.2	26.6	23.4	24.1	24.3	26.0	27.2	25.1	24.6	25.1	26.9	27.8	
	S.C.	21.4	19.4	16.6	16.2	13.7	23.1	21.8	18.5	17.9	14.3	24.8	24.3	20.5	19.5	15.0	
	KW	1.20	1.22	1.22	1.23	1.21	1.28	1.29	1.31	1.29	1.28	1.36	1.35	1.39	1.35	1.35	
75	T.C.	20.8	22.3	22.2	24.0	25.7	22.4	23.0	23.0	24.8	26.3	24.1	23.8	23.8	25.7	26.9	
	S.C.	20.5	18.8	16.0	15.7	13.1	22.1	21.1	18.0	17.5	13.9	23.8	23.5	19.9	19.2	14.6	
	KW	1.36	1.37	1.37	1.38	1.39	1.45	1.45	1.45	1.46	1.47	1.53	1.53	1.53	1.53	1.54	
85	T.C.	19.8	20.9	20.9	22.9	24.8	21.4	21.9	21.6	23.7	25.5	23.1	22.9	22.4	24.5	26.1	
	S.C.	19.5	18.2	15.4	15.3	12.5	21.2	20.4	17.4	17.1	13.4	22.8	22.6	19.4	18.9	14.3	
	KW	1.52	1.53	1.53	1.54	1.57	1.61	1.61	1.59	1.62	1.65	1.70	1.70	1.66	1.71	1.73	
95	T.C.	18.8	19.5	19.6	21.8	23.9	20.5	20.8	20.3	22.5	24.6	22.1	22.1	21.1	23.2	25.3	
	S.C.	18.6	17.5	14.8	14.8	11.9	20.2	19.7	16.8	16.7	12.9	21.8	21.8	18.8	18.7	14.0	
	KW	1.67	1.68	1.68	1.69	1.75	1.77	1.78	1.74	1.79	1.83	1.87	1.87	1.79	1.89	1.92	
105	T.C.	17.7	18.0	18.0	20.2	22.4	19.2	19.3	18.7	20.9	23.1	20.7	20.7	19.4	21.6	23.7	
	S.C.	17.4	16.8	14.1	14.2	11.3	18.9	18.7	16.1	16.1	12.4	20.5	20.5	18.2	18.1	13.5	
	KW	1.86	1.87	1.87	1.90	1.96	1.97	1.97	1.94	2.00	2.04	2.07	2.07	2.02	2.09	2.12	
115	T.C.	16.5	16.4	16.4	18.7	20.9	17.9	17.9	17.0	19.3	21.6	19.4	19.4	17.7	20.0	22.2	
	S.C.	16.3	16.1	13.4	13.5	10.8	17.7	17.6	15.4	15.5	11.9	19.2	19.2	17.5	17.5	13.0	
	KW	2.05	2.05	2.05	2.11	2.16	2.16	2.16	2.15	2.21	2.24	2.26	2.26	2.24	2.30	2.32	
125	T.C.	15.3	14.8	14.8	17.1	19.4	16.7	16.4	15.4	17.7	20.0	18.1	18.1	16.1	18.3	20.6	
	S.C.	15.1	14.8	12.7	12.9	10.2	16.5	16.4	14.7	14.9	11.3	17.8	17.8	16.1	16.9	12.5	
	KW	2.25	2.24	2.24	2.33	2.37	2.35	2.35	2.35	2.42	2.45	2.46	2.46	2.46	2.51	2.52	

NOTE: ALL CAPACITIES INCLUDE INDOOR FAN HEAT. KW VALUES ARE FOR THE SYSTEM (OUTDOOR + INDOOR).

Green shaded cells are ACCA (TVA) conditions. Blue shaded cells are AHRI conditions.

Multipliers for determining the performance with other indoor sections.

NOTE: For dry bulb temperatures different than those listed (between 73-87 °F), sensible capacity increases by 1060 BTUH per 1000 CFM per degree above the listed temperature and decreases by 1060 BTUH per 1000 CFM per degree below the listed temperature.

Some of the combinations shown in these multiplier tables are not valid for use in the U.S.A. Please see the Capacity Tables in the front of this Technical Guide for US matches, and verify matchups in the online AHRI directory at www.ahridirectory.org before sale. The matches shown at the end of this Technical Guide are for use in Canada Only.

Air Handlers	Coils	T.C.	S.C.	KW
–	FC/MC/PC32	1.00	1.06	1.15
–	FC/MC/PC35	1.00	1.06	1.15
–	FC/MC/PC37	1.00	1.07	1.15
–	FC/MC/PC43	1.00	1.07	1.15
AHE24B	–	1.07	1.06	1.12
AHE30B	–	1.07	1.07	1.12
AHV24B	–	1.05	1.07	1.10
AHV30B	–	1.07	1.02	1.12

Air Handlers	Coils	T.C.	S.C.	KW
MV12B	FC/MC35B	1.01	1.07	1.06
MV12B	FC/MC43B	1.07	0.94	1.12
MX12BN21	FC/MC35B	1.01	0.93	1.06
MX12BN21	FC/MC43B	1.07	1.08	1.12
MX16CN21	FC/MC35C	1.00	1.08	1.10
MX16CN21	FC/MC43C	1.07	1.08	1.12

Furnaces	Coils	T.C.	S.C.	KW
T*(8,L)V*A12	FC/MC/PC32A	1.02	1.08	1.07
T*(8,L)V*A12	FC/MC/PC37A	1.07	0.94	1.12
T*(8,L)V*B12	FC/MC/PC35B	1.02	0.93	1.07
T*(8,L)V*B12	FC/MC/PC43B	1.07	0.93	1.12
T*(8,L)V*C16	FC/MC/PC35C	1.04	0.94	1.09
T*(8,L)V*C16	FC/MC/PC43C	1.07	0.96	1.12
T*(8,L)V*C20	FC/MC/PC35C	1.07	0.94	1.12
T*(8,L)V*C20	FC/MC/PC43C	1.07	1.08	1.12
T*9V*A10	FC/MC/PC32A	1.00	0.92	1.07
T*9V*A10	FC/MC/PC37A	1.07	0.93	1.14
T*9V*B12	FC/MC/PC35B	1.00	1.07	1.05
T*9V*B12	FC/MC/PC43B	1.07	1.08	1.12
T*9V*C16	FC/MC/PC35C	1.04	1.08	1.09
T*9V*C16	FC/MC/PC43C	1.07	0.98	1.12
T*9V*C20	FC/MC/PC35C	1.07	1.07	1.12
T*9V*C20	FC/MC/PC43C	1.07	1.09	1.12
TM8X060A12MP11	FC/MC/PC32A	1.01	1.07	1.06
TM8X060A12MP11	FC/MC/PC37A	1.07	1.07	1.12
TM8X080B12MP11	FC/MC/PC35B	1.01	0.93	1.06
TM8X080B12MP11	FC/MC/PC43B	1.07	1.07	1.12
TM8X080C16MP11	FC/MC/PC35C	1.01	1.07	1.06
TM8X080C16MP11	FC/MC/PC43C	1.07	1.08	1.12
TM8X100C16MP11	FC/MC/PC35C	1.01	1.06	1.06
TM8X100C16MP11	FC/MC/PC43C	1.07	0.93	1.12
TM8X100C20MP11	FC/MC/PC35C	1.06	1.07	1.13
TM8X100C20MP11	FC/MC/PC43C	1.07	1.07	1.14
TM8X120C20MP11	FC/MC/PC35C	1.06	1.07	1.13
TM8X120C20MP11	FC/MC/PC43C	1.07	0.93	1.14
TM9E040A10MP11	FC/MC/PC37A	1.07	0.93	1.14
TM9E060B12MP11	FC/MC/PC35B	1.01	1.08	1.08
TM9E060B12MP11	FC/MC/PC43B	1.07	0.94	1.12
TM9E080B12MP11	FC/MC/PC35B	1.01	0.93	1.08
TM9E080B12MP11	FC/MC/PC43B	1.07	1.07	1.12

Furnaces	Coils	T.C.	S.C.	KW
TM9E080C16MP11	FC/MC/PC35C	1.01	0.93	1.06
TM9E080C16MP11	FC/MC/PC43C	1.02	1.07	1.07
TM9E100C16MP11	FC/MC/PC35C	1.01	1.08	1.06
TM9E100C16MP11	FC/MC/PC43C	1.02	1.06	1.07
TM9E100C20MP11	FC/MC/PC43C	1.07	1.07	1.12
TMLX060A12MP11	FC/MC/PC32A	1.01	0.93	1.06
TMLX060A12MP11	FC/MC/PC37A	1.07	1.07	1.12
TMLX080B12MP11	FC/MC/PC35B	1.01	1.07	1.06
TMLX080B12MP11	FC/MC/PC43B	1.07	1.08	1.12
TMLX080C16MP11	FC/MC/PC35C	1.01	0.93	1.06
TMLX080C16MP11	FC/MC/PC43C	1.07	1.06	1.12
TMLX100C16MP11	FC/MC/PC35C	1.01	1.08	1.06
TMLX100C16MP11	FC/MC/PC43C	1.07	1.07	1.12
TMLX100C20MP11	FC/MC/PC35C	1.06	0.94	1.13
TMLX100C20MP11	FC/MC/PC43C	1.07	0.95	1.14
TMLX120C20MP11	FC/MC/PC35C	1.06	0.94	1.13
TMLX120C20MP11	FC/MC/PC43C	1.07	1.08	1.14
Y*(8,L)C*A12	FC/MC/PC32A	1.02	1.08	1.07
Y*(8,L)C*A12	FC/MC/PC37A	1.07	0.94	1.12
Y*(8,L)C*B12	FC/MC/PC35B	1.02	0.93	1.07
Y*(8,L)C*B12	FC/MC/PC43B	1.07	0.93	1.12
Y*(8,L)C*C16	FC/MC/PC35C	1.04	0.94	1.09
Y*(8,L)C*C16	FC/MC/PC43C	1.07	0.96	1.12
Y*(8,L)C*C20	FC/MC/PC35C	1.07	0.94	1.12
Y*(8,L)C*C20	FC/MC/PC43C	1.07	1.08	1.12
Y*9C*B12	FC/MC/PC35B	1.00	1.07	1.05
Y*9C*B12	FC/MC/PC43B	1.07	1.08	1.12
Y*9C*C16	FC/MC/PC35C	1.04	1.08	1.09
Y*9C*C16	FC/MC/PC43C	1.07	0.98	1.12
Y*9C*C20	FC/MC/PC35C	1.07	1.07	1.12
Y*9C*C20	FC/MC/PC43C	1.07	1.09	1.12

COOLING PERFORMANCE DATA																	
CONDENSING UNIT MODEL NO		YHJD30S41S7															
AIR TEMP. ENTERING OUTDOOR UNIT (°F)	IDCFM	800					1000					1200					
	ID DB (°F)	80	80	75	80	80	80	80	75	80	80	80	80	80	75	80	80
	ID WB (°F)	57	62	62	67	72	57	62	62	67	72	57	62	62	67	72	
65	T.C.	28.4	30.2	30.1	33.0	34.3	30.2	31.2	31.2	33.5	34.8	32.0	32.2	32.2	34.0	35.3	
	S.C.	28.4	26.3	22.5	22.3	18.2	30.2	29.6	24.6	23.7	18.7	32.0	32.2	26.8	25.1	19.1	
	KW	1.49	1.53	1.53	1.55	1.52	1.60	1.63	1.63	1.60	1.59	1.70	1.74	1.74	1.65	1.66	
75	T.C.	27.3	28.7	28.7	31.5	33.2	29.0	29.7	29.6	32.1	33.7	30.7	30.6	30.6	32.7	34.2	
	S.C.	27.3	25.7	21.8	21.6	17.7	29.0	28.4	23.9	23.2	18.2	30.7	30.6	26.1	24.8	18.7	
	KW	1.67	1.69	1.69	1.72	1.70	1.76	1.78	1.78	1.78	1.77	1.86	1.86	1.86	1.84	1.85	
85	T.C.	26.2	27.2	27.2	30.0	32.2	27.8	28.1	28.1	30.7	32.6	29.5	29.0	29.0	31.4	33.1	
	S.C.	26.2	25.0	21.1	21.0	17.1	27.8	27.3	23.3	22.8	17.7	29.5	29.0	25.4	24.6	18.4	
	KW	1.84	1.86	1.86	1.88	1.88	1.93	1.92	1.92	1.95	1.96	2.03	1.99	1.99	2.02	2.03	
95	T.C.	25.1	25.8	25.8	28.6	31.1	26.7	26.6	26.6	29.3	31.5	28.2	27.3	27.3	30.1	32.0	
	S.C.	25.1	24.4	20.4	20.4	16.5	26.7	26.1	22.6	22.4	17.3	28.2	27.3	24.7	24.4	18.1	
	KW	2.01	2.02	2.02	2.05	2.06	2.10	2.07	2.06	2.13	2.14	2.19	2.11	2.11	2.20	2.21	
105	T.C.	23.7	23.8	23.9	26.9	29.5	25.2	25.1	24.6	27.6	29.9	26.7	26.3	25.4	28.2	30.3	
	S.C.	23.7	23.4	19.6	19.7	15.7	25.2	25.1	21.7	21.7	16.6	26.7	26.3	23.9	23.7	17.5	
	KW	2.22	2.23	2.23	2.27	2.30	2.31	2.29	2.29	2.35	2.37	2.40	2.36	2.36	2.43	2.44	
115	T.C.	22.2	21.9	21.9	25.2	27.8	23.7	23.6	22.7	25.8	28.3	25.2	25.2	23.4	26.4	28.7	
	S.C.	22.2	21.9	18.7	19.0	15.0	23.7	23.6	20.9	21.0	16.0	25.2	25.2	23.1	23.0	17.0	
	KW	2.44	2.43	2.43	2.50	2.53	2.52	2.52	2.52	2.57	2.60	2.61	2.61	2.61	2.65	2.67	
125	T.C.	20.8	19.9	20.0	23.5	26.2	22.2	22.1	20.7	24.0	26.7	23.7	24.2	21.5	24.5	27.1	
	S.C.	20.8	19.9	17.8	18.3	14.2	22.2	22.1	20.1	20.3	15.3	23.7	24.2	21.5	22.3	16.4	
	KW	2.65	2.64	2.64	2.72	2.76	2.74	2.75	2.75	2.80	2.83	2.82	2.86	2.85	2.88	2.90	

NOTE: ALL CAPACITIES INCLUDE INDOOR FAN HEAT. KW VALUES ARE FOR THE SYSTEM (OUTDOOR + INDOOR).

Green shaded cells are ACCA (TVA) conditions. Blue shaded cells are AHRI conditions.

Multipliers for determining the performance with other indoor sections.

NOTE: For dry bulb temperatures different than those listed (between 73-87 °F), sensible capacity increases by 1060 BTUH per 1000 CFM per degree above the listed temperature and decreases by 1060 BTUH per 1000 CFM per degree below the listed temperature.

Some of the combinations shown in these multiplier tables are not valid for use in the U.S.A. Please see the Capacity Tables in the front of this Technical Guide for US matches, and verify matchups in the online AHRI directory at www.ahridirectory.org before sale. The matches shown at the end of this Technical Guide are for use in Canada Only.

Air Handlers	Coils	T.C.	S.C.	KW
–	FC/MC/PC32	1.00	0.98	1.25
–	FC/MC/PC35	1.00	0.98	1.25
–	FC/MC/PC37	1.00	1.00	1.25
–	FC/MC/PC43	1.00	1.00	1.25
AHE30B	–	1.02	0.99	1.17
AHE36C	–	1.02	0.98	1.17
AHV30B	–	0.98	1.03	1.13
AHV36C	–	1.02	0.89	1.17
MV12B	FC/MC35B	1.02	0.97	1.17

Air Handlers	Coils	T.C.	S.C.	KW
MV12B	FC/MC43B	1.02	1.03	1.17
MV16C	FC/MC35C	1.02	1.03	1.17
MV16C	FC/MC43C	1.02	1.03	1.17
MX12BN21	FC/MC35B	1.02	0.99	1.17
MX12BN21	FC/MC43B	1.02	0.99	1.17
MX16CN21	FC/MC35C	1.02	1.04	1.17
MX16CN21	FC/MC43C	1.02	0.99	1.17

Furnaces	Coils	T.C.	S.C.	KW
T*(8,L)V*A12	FC/MC/PC32A	1.02	1.03	1.17
T*(8,L)V*A12	FC/MC/PC37A	1.02	0.99	1.17
T*(8,L)V*B12	FC/MC/PC35B	1.02	0.99	1.22
T*(8,L)V*B12	FC/MC/PC43B	1.02	0.99	1.17
T*(8,L)V*C16	FC/MC/PC35C	1.02	1.03	1.17
T*(8,L)V*C16	FC/MC/PC43C	1.02	0.99	1.17
T*(8,L)V*C20	FC/MC/PC35C	1.02	0.99	1.17
T*(8,L)V*C20	FC/MC/PC43C	1.02	1.03	1.17
T*9V*B12	FC/MC/PC35B	1.02	1.00	1.22
T*9V*B12	FC/MC/PC43B	1.02	1.03	1.17
T*9V*C16	FC/MC/PC35C	1.02	1.03	1.17
T*9V*C16	FC/MC/PC43C	1.02	0.89	1.17
T*9V*C20	FC/MC/PC35C	1.02	0.98	1.17
T*9V*C20	FC/MC/PC43C	1.02	0.98	1.17
TM8X060A12MP11	FC/MC/PC37A	1.02	0.98	1.17
TM8X080B12MP11	FC/MC/PC35B	1.02	1.01	1.22
TM8X080B12MP11	FC/MC/PC43B	1.02	0.97	1.17
TM8X080C16MP11	FC/MC/PC35C	1.02	0.96	1.17
TM8X080C16MP11	FC/MC/PC43C	1.02	0.99	1.17
TM8X100C16MP11	FC/MC/PC35C	1.02	1.01	1.17
TM8X100C16MP11	FC/MC/PC43C	1.02	1.00	1.17
TM8X100C20MP11	FC/MC/PC35C	1.02	0.97	1.17
TM8X100C20MP11	FC/MC/PC43C	1.02	0.99	1.17
TM8X120C20MP11	FC/MC/PC35C	1.02	1.00	1.17
TM8X120C20MP11	FC/MC/PC43C	1.02	1.03	1.17
TM9E060B12MP11	FC/MC/PC35B	1.02	0.96	1.17
TM9E060B12MP11	FC/MC/PC43B	1.02	1.00	1.17
TM9E080B12MP11	FC/MC/PC35B	1.02	0.99	1.17
TM9E080B12MP11	FC/MC/PC43B	1.02	0.96	1.17
TM9E080C16MP11	FC/MC/PC35C	1.02	0.99	1.17
TM9E080C16MP11	FC/MC/PC43C	1.02	0.99	1.17

Furnaces	Coils	T.C.	S.C.	KW
TM9E100C16MP11	FC/MC/PC35C	1.02	1.02	1.17
TM9E100C16MP11	FC/MC/PC43C	1.02	1.03	1.17
TM9E100C20MP11	FC/MC/PC35C	1.02	0.99	1.17
TM9E100C20MP11	FC/MC/PC43C	1.02	0.96	1.22
TMLX060A12MP11	FC/MC/PC37A	1.02	1.00	1.22
TMLX080B12MP11	FC/MC/PC35B	1.02	0.96	1.22
TMLX080B12MP11	FC/MC/PC43B	1.02	1.02	1.17
TMLX080C16MP11	FC/MC/PC35C	1.02	1.03	1.17
TMLX080C16MP11	FC/MC/PC43C	1.02	0.99	1.17
TMLX100C16MP11	FC/MC/PC35C	1.02	0.99	1.17
TMLX100C16MP11	FC/MC/PC43C	1.02	0.96	1.17
TMLX100C20MP11	FC/MC/PC35C	1.02	1.00	1.17
TMLX100C20MP11	FC/MC/PC43C	1.02	0.99	1.17
TMLX120C20MP11	FC/MC/PC35C	1.02	0.99	1.17
TMLX120C20MP11	FC/MC/PC43C	1.02	0.99	1.17
Y*(8,L)C*A12	FC/MC/PC32A	1.02	1.03	1.17
Y*(8,L)C*A12	FC/MC/PC37A	1.02	0.99	1.17
Y*(8,L)C*B12	FC/MC/PC35B	1.02	0.99	1.22
Y*(8,L)C*B12	FC/MC/PC43B	1.02	0.99	1.17
Y*(8,L)C*C16	FC/MC/PC35C	1.02	1.03	1.17
Y*(8,L)C*C16	FC/MC/PC43C	1.02	0.99	1.17
Y*(8,L)C*C20	FC/MC/PC35C	1.02	0.99	1.17
Y*(8,L)C*C20	FC/MC/PC43C	1.02	1.03	1.17
Y*9C*B12	FC/MC/PC35B	1.02	1.00	1.22
Y*9C*B12	FC/MC/PC43B	1.02	1.03	1.17
Y*9C*C16	FC/MC/PC35C	1.02	1.03	1.17
Y*9C*C16	FC/MC/PC43C	1.02	0.89	1.17
Y*9C*C20	FC/MC/PC35C	1.02	0.98	1.17
Y*9C*C20	FC/MC/PC43C	1.02	0.98	1.17

COOLING PERFORMANCE DATA																	
CONDENSING UNIT MODEL NO		YHJD36S41S7															
AIR TEMP. ENTERING OUTDOOR UNIT (°F)	IDCFM	1000					1200					1400					
	ID DB (°F)	80	80	75	80	80	80	80	75	80	80	80	80	80	75	80	80
	ID WB (°F)	57	62	62	67	72	57	62	62	67	72	57	62	62	67	72	
65	T.C.	37.2	39.5	39.5	43.2	45.5	39.3	41.1	41.0	44.1	46.4	41.4	42.7	42.5	45.1	47.3	
	S.C.	36.9	32.5	27.9	27.8	23.2	39.0	36.0	30.2	29.8	24.2	41.0	39.6	32.5	31.8	25.3	
	KW	2.11	2.18	2.18	2.19	2.19	2.22	2.27	2.26	2.27	2.30	2.32	2.36	2.34	2.35	2.40	
75	T.C.	34.9	36.8	36.8	40.6	43.4	37.0	38.1	38.2	41.5	44.2	39.0	39.5	39.5	42.5	44.9	
	S.C.	34.7	31.3	26.7	26.6	22.0	36.7	34.3	28.9	28.7	23.1	38.7	37.3	31.2	30.7	24.2	
	KW	2.29	2.34	2.34	2.38	2.41	2.40	2.43	2.43	2.46	2.49	2.51	2.52	2.52	2.55	2.58	
85	T.C.	32.7	34.0	34.1	38.0	41.3	34.7	35.2	35.3	39.0	41.9	36.7	36.3	36.4	39.9	42.4	
	S.C.	32.4	30.0	25.5	25.5	20.8	34.4	32.5	27.7	27.5	21.9	36.4	35.0	29.9	29.5	23.0	
	KW	2.47	2.50	2.50	2.56	2.62	2.58	2.59	2.60	2.66	2.69	2.70	2.67	2.69	2.75	2.75	
95	T.C.	30.5	31.3	31.4	35.4	39.2	32.4	32.2	32.4	36.4	39.6	34.3	33.0	33.4	37.4	40.0	
	S.C.	30.2	28.8	24.3	24.3	19.6	32.2	30.8	26.4	26.4	20.7	34.1	32.8	28.5	28.4	21.9	
	KW	2.65	2.67	2.67	2.74	2.83	2.77	2.75	2.77	2.85	2.88	2.89	2.83	2.87	2.95	2.93	
105	T.C.	27.5	28.4	28.2	32.2	36.2	29.6	29.7	28.9	33.1	36.8	31.7	31.0	29.5	34.0	37.4	
	S.C.	27.3	27.1	22.9	23.0	18.4	29.4	28.9	24.9	25.1	19.6	31.5	30.8	27.0	27.1	20.8	
	KW	2.80	2.81	2.80	2.92	3.01	2.92	2.90	2.91	3.02	3.09	3.03	2.99	3.02	3.13	3.16	
115	T.C.	24.6	25.5	25.0	29.0	33.2	26.9	27.3	25.4	29.8	34.0	29.1	29.0	25.7	30.6	34.9	
	S.C.	24.4	25.3	21.5	21.7	17.3	26.6	27.1	23.5	23.8	18.5	28.9	28.8	25.4	25.8	19.7	
	KW	2.96	2.95	2.93	3.10	3.20	3.07	3.05	3.04	3.20	3.29	3.18	3.15	3.16	3.30	3.39	
125	T.C.	21.7	22.6	21.8	25.8	30.1	24.1	24.8	21.9	26.5	31.2	26.5	27.0	21.9	27.2	32.3	
	S.C.	21.5	22.6	20.1	20.4	16.1	23.9	24.8	21.9	22.5	17.4	26.3	26.8	21.9	24.5	18.7	
	KW	3.11	3.09	3.06	3.28	3.38	3.22	3.20	3.18	3.38	3.50	3.33	3.31	3.31	3.48	3.61	

NOTE: ALL CAPACITIES INCLUDE INDOOR FAN HEAT. KW VALUES ARE FOR THE SYSTEM (OUTDOOR + INDOOR).

Green shaded cells are ACCA (TVA) conditions. Blue shaded cells are AHRI conditions.

Multipliers for determining the performance with other indoor sections.

NOTE: For dry bulb temperatures different than those listed (between 73-87 °F), sensible capacity increases by 1060 BTUH per 1000 CFM per degree above the listed temperature and decreases by 1060 BTUH per 1000 CFM per degree below the listed temperature.

Some of the combinations shown in these multiplier tables are not valid for use in the U.S.A. Please see the Capacity Tables in the front of this Technical Guide for US matches, and verify matchups in the online AHRI directory at www.ahrirectory.org before sale. The matches shown at the end of this Technical Guide are for use in Canada Only.

Air Handlers	Coils	T.C.	S.C.	KW
–	FC/MC/PC37	0.97	1.04	1.13
–	FC/MC/PC43	0.97	1.04	1.13
–	FC/MC/PC48	0.97	1.05	1.13
AHE36C	–	0.99	1.02	1.05
AHE42D	–	0.99	1.05	1.05
AHV36C	–	0.99	1.05	1.05
AHV42D	–	0.99	1.05	1.05
MV12B	FC/MC43B	0.99	1.05	1.05
MV12D	FC/MC48D	0.99	1.04	1.05
MV16C	FC/MC43C	0.99	1.05	1.05

Air Handlers	Coils	T.C.	S.C.	KW
MV16C	FC/MC48C	0.99	1.11	1.05
MV20D	FC/MC48D	0.99	1.04	1.05
MX12BN21	FC/MC43B	0.98	1.04	1.04
MX12DN21	FC/MC48D	0.99	1.03	1.05
MX16CN21	FC/MC43C	0.99	1.04	1.05
MX16CN21	FC/MC48C	0.98	1.00	1.05
MX20DN21	FC/MC48D	0.99	1.04	1.05

Furnaces	Coils	T.C.	S.C.	KW
T*(8,L)V*A12	FC/MC/PC37A	0.97	1.00	1.07
T*(8,L)V*B12	FC/MC/PC43B	0.96	1.04	1.02
T*(8,L)V*C16	FC/MC/PC43C	0.99	1.03	1.05
T*(8,L)V*C16	FC/MC/PC48C	0.99	1.03	1.05
T*(8,L)V*C20	FC/MC/PC43C	0.99	1.03	1.05
T*(8,L)V*C20	FC/MC/PC48C	0.99	1.03	1.05
T*9V*B12	FC/MC/PC43B	0.98	1.04	1.09
T*9V*C16	FC/MC/PC43C	0.99	1.00	1.08
T*9V*C16	FC/MC/PC48C	0.98	0.99	1.05
T*9V*C20	FC/MC/PC43C	0.99	1.03	1.05
T*9V*C20	FC/MC/PC48C	0.99	0.99	1.05
T*9V*D20	FC/MC/PC48D	0.99	0.99	1.05
TM8X060A12MP11	FC/MC/PC37A	0.97	0.99	1.07
TM8X080B12MP11	FC/MC/PC43B	0.97	1.03	1.07
TM8X080C16MP11	FC/MC/PC43C	0.98	1.03	1.04
TM8X080C16MP11	FC/MC/PC48C	0.99	1.03	1.05
TM8X080C16MP11	FC/MC/PC48D	0.99	1.00	1.05
TM8X100C16MP11	FC/MC/PC43C	0.98	1.03	1.04
TM8X100C16MP11	FC/MC/PC48C	0.99	0.99	1.05
TM8X100C16MP11	FC/MC/PC48D	0.99	1.03	1.05
TM8X100C20MP11	FC/MC/PC43C	0.99	1.04	1.05
TM8X100C20MP11	FC/MC/PC48C	0.99	0.99	1.05
TM8X100C20MP11	FC/MC/PC48D	0.98	1.04	1.05
TM8X120C20MP11	FC/MC/PC43C	0.99	1.03	1.05
TM8X120C20MP11	FC/MC/PC48C	0.99	1.00	1.05
TM8X120C20MP11	FC/MC/PC48D	0.98	1.00	1.05
TM9E060B12MP11	FC/MC/PC43B	0.97	1.04	1.07
TM9E080B12MP11	FC/MC/PC43B	0.97	1.00	1.07
TM9E080C16MP11	FC/MC/PC43C	0.98	1.03	1.04
TM9E080C16MP11	FC/MC/PC48C	0.98	1.03	1.05
TM9E080C16MP11	FC/MC/PC48D	0.98	1.03	1.05
TM9E100C16MP11	FC/MC/PC43C	0.98	0.99	1.04
TM9E100C16MP11	FC/MC/PC48C	0.98	1.03	1.05

Furnaces	Coils	T.C.	S.C.	KW
TM9E100C16MP11	FC/MC/PC48D	0.98	1.04	1.05
TM9E100C20MP11	FC/MC/PC43C	0.98	0.99	1.04
TM9E100C20MP11	FC/MC/PC48C	0.98	1.00	1.05
TM9E100C20MP11	FC/MC/PC48D	0.99	1.04	1.05
TM9E120D20MP11	FC/MC/PC48D	0.99	1.03	1.05
TMLX060A12MP11	FC/MC/PC37A	0.97	0.99	1.07
TMLX080B12MP11	FC/MC/PC43B	0.97	1.03	1.07
TMLX080C16MP11	FC/MC/PC43C	0.98	1.00	1.04
TMLX080C16MP11	FC/MC/PC48C	0.99	1.03	1.05
TMLX080C16MP11	FC/MC/PC48D	0.99	1.03	1.05
TMLX100C16MP11	FC/MC/PC43C	0.98	1.03	1.04
TMLX100C16MP11	FC/MC/PC48C	0.99	1.03	1.05
TMLX100C16MP11	FC/MC/PC48D	0.99	1.04	1.05
TMLX100C20MP11	FC/MC/PC43C	0.99	1.03	1.05
TMLX100C20MP11	FC/MC/PC48C	0.99	1.00	1.05
TMLX100C20MP11	FC/MC/PC48D	0.98	1.03	1.05
TMLX120C20MP11	FC/MC/PC43C	0.99	1.00	1.05
TMLX120C20MP11	FC/MC/PC48C	0.99	1.03	1.05
TMLX120C20MP11	FC/MC/PC48D	0.98	1.03	1.05
Y*(8,L)C*A12	FC/MC/PC37A	0.97	1.00	1.07
Y*(8,L)C*B12	FC/MC/PC43B	0.96	1.04	1.02
Y*(8,L)C*C16	FC/MC/PC43C	0.99	1.03	1.05
Y*(8,L)C*C16	FC/MC/PC48C	0.99	1.03	1.05
Y*(8,L)C*C20	FC/MC/PC43C	0.99	1.03	1.05
Y*(8,L)C*C20	FC/MC/PC48C	0.99	1.03	1.05
Y*9C*B12	FC/MC/PC43B	0.98	1.04	1.09
Y*9C*C16	FC/MC/PC43C	0.99	1.00	1.08
Y*9C*C16	FC/MC/PC48C	0.98	0.99	1.05
Y*9C*C20	FC/MC/PC43C	0.99	1.03	1.05
Y*9C*C20	FC/MC/PC48C	0.99	0.99	1.05
Y*9C*D20	FC/MC/PC48D	0.99	0.99	1.05

COOLING PERFORMANCE DATA																
CONDENSING UNIT MODEL NO		YHJD42S41S7														
AIR TEMP. ENTERING OUTDOOR UNIT (°F)	IDCFM	1150					1350					1550				
	ID DB (°F)	80	80	75	80	80	80	80	75	80	80	80	80	75	80	80
	ID WB (°F)	57	62	62	67	72	57	62	62	67	72	57	62	62	67	72
65	T.C.	38.3	40.5	40.4	44.3	48.5	40.0	41.5	41.5	45.4	49.6	41.8	42.5	42.6	46.4	50.8
	S.C.	38.3	35.3	30.1	29.8	24.0	40.0	38.8	32.3	31.8	25.2	41.8	42.3	34.4	33.9	26.4
	KW	2.33	2.34	2.37	2.43	2.46	2.45	2.45	2.47	2.52	2.54	2.56	2.56	2.57	2.60	2.62
75	T.C.	36.8	38.6	38.6	42.3	46.3	38.5	39.5	39.6	43.3	47.3	40.3	40.5	40.5	44.2	48.3
	S.C.	36.8	34.5	29.3	29.0	23.2	38.5	37.4	31.5	31.0	24.3	40.3	40.4	33.6	33.0	25.5
	KW	2.64	2.66	2.65	2.68	2.71	2.73	2.73	2.73	2.77	2.79	2.81	2.81	2.82	2.85	2.88
85	T.C.	35.4	36.7	36.9	40.3	44.2	37.0	37.6	37.6	41.1	45.0	38.7	38.4	38.4	42.0	45.9
	S.C.	35.4	33.7	28.5	28.1	22.3	37.0	36.1	30.6	30.1	23.5	38.7	38.4	32.7	32.1	24.6
	KW	2.95	2.97	2.94	2.94	2.97	3.01	3.02	3.00	3.02	3.05	3.07	3.06	3.06	3.10	3.13
95	T.C.	34.0	34.9	35.1	38.3	42.0	35.5	35.6	35.7	39.0	42.7	37.1	36.3	36.3	39.7	43.4
	S.C.	34.0	32.9	27.7	27.3	21.5	35.5	34.7	29.8	29.3	22.6	37.1	36.3	31.8	31.2	23.7
	KW	3.13	3.13	3.13	3.13	3.13	3.29	3.30	3.27	3.21	3.30	3.33	3.31	3.31	3.29	3.38
105	T.C.	32.3	32.6	32.8	35.8	39.2	33.6	33.6	33.3	36.4	39.8	35.0	34.5	33.8	37.0	40.4
	S.C.	32.3	31.7	26.7	26.3	20.5	33.6	33.2	28.7	28.2	21.5	35.0	34.5	30.7	30.2	22.6
	KW	3.58	3.59	3.56	3.56	3.60	3.64	3.64	3.62	3.64	3.68	3.70	3.70	3.69	3.72	3.76
115	T.C.	30.6	30.4	30.4	33.3	36.5	31.7	31.6	30.9	33.9	36.9	32.9	32.8	31.3	34.4	37.4
	S.C.	30.6	30.4	25.6	25.2	19.4	31.7	31.6	27.6	27.2	20.5	32.9	32.8	29.7	29.1	21.6
	KW	3.90	3.89	3.90	3.93	3.97	3.99	3.99	3.98	4.02	4.06	4.08	4.08	4.06	4.10	4.14
125	T.C.	29.0	28.2	28.1	30.9	33.7	29.8	29.6	28.5	31.3	34.1	30.7	31.1	28.9	31.7	34.4
	S.C.	29.0	28.2	24.6	24.2	18.4	29.8	29.6	26.6	26.1	19.4	30.7	31.1	28.6	28.1	20.5
	KW	4.22	4.20	4.24	4.31	4.35	4.34	4.33	4.34	4.39	4.43	4.46	4.46	4.44	4.48	4.52

NOTE: ALL CAPACITIES INCLUDE INDOOR FAN HEAT. KW VALUES ARE FOR THE SYSTEM (OUTDOOR + INDOOR).

Green shaded cells are ACCA (TVA) conditions. Blue shaded cells are AHRI conditions.

Multipliers for determining the performance with other indoor sections.

NOTE: For dry bulb temperatures different than those listed (between 73-87 °F), sensible capacity increases by 1060 BTUH per 1000 CFM per degree above the listed temperature and decreases by 1060 BTUH per 1000 CFM per degree below the listed temperature.

Some of the combinations shown in these multiplier tables are not valid for use in the U.S.A. Please see the Capacity Tables in the front of this Technical Guide for US matches, and verify matchups in the online AHRI directory at www.ahrirectory.org before sale. The matches shown at the end of this Technical Guide are for use in Canada Only.

Air Handlers	Coils	T.C.	S.C.	KW
–	FC/MC/PC48	1.04	1.08	1.15
–	FC/MC/PC60	1.04	1.09	1.15
AHE42D	–	1.08	1.08	1.09
AHE48D	–	1.05	1.16	1.11
AHV42D	–	1.06	1.09	1.08
AHV48D	–	1.01	1.09	1.07
MV16C	FC/MC48C	1.06	1.09	1.08
MV20D	FC/MC48D	1.08	1.12	1.09

Air Handlers	Coils	T.C.	S.C.	KW
MV20D	FC/MC60D	1.08	1.09	1.09
MX16CN21	FC/MC48C	1.05	1.09	1.06
MX16CN21	FC60C	1.03	1.12	1.10
MX20DN21	FC/MC48D	1.06	1.08	1.08
MX20DN21	FC/MC60D	1.04	1.09	1.05

Furnaces	Coils	T.C.	S.C.	KW
T*(8,L)V*C16	FC/MC/PC48C	1.05	1.08	1.06
T*(8,L)V*C16	FC/MC/PC48D	1.05	1.07	1.06
T*(8,L)V*C16	FC/PC60C	1.06	1.07	1.08
T*(8,L)V*C20	FC/MC/PC48C	1.05	1.08	1.06
T*(8,L)V*C20	FC/MC/PC48D	1.05	1.07	1.06
T*(8,L)V*C20	FC/PC60C	1.08	1.08	1.09
T*9V*C16	FC/MC/PC48C	1.05	1.07	1.09
T*9V*C16	FC/MC/PC48D	1.05	1.07	1.09
T*9V*C16	FC/PC60C	1.05	1.08	1.11
T*9V*C20	FC/MC/PC48C	1.05	1.07	1.09
T*9V*C20	FC/MC/PC48D	1.05	1.07	1.09
T*9V*C20	FC/PC60C	1.06	1.08	1.12
T*9V*D20	FC/MC/PC48D	1.05	1.08	1.06
T*9V*D20	FC/MC/PC60D	1.06	1.08	1.12
TM8X080C16MP11	FC/MC/PC48C	1.05	1.08	1.06
TM8X080C16MP11	FC/MC/PC48D	1.05	1.07	1.06
TM8X080C16MP11	FC/PC60C	1.03	1.07	1.10
TM8X100C16MP11	FC/MC/PC48C	1.05	1.08	1.06
TM8X100C16MP11	FC/MC/PC48D	1.05	1.08	1.06
TM8X100C16MP11	FC/PC60C	1.03	1.07	1.10
TM8X100C20MP11	FC/MC/PC48C	1.05	1.08	1.06
TM8X100C20MP11	FC/MC/PC48D	1.05	1.08	1.06
TM8X100C20MP11	FC/PC60C	1.03	1.08	1.10
TM8X120C20MP11	FC/MC/PC48C	1.05	1.08	1.06
TM8X120C20MP11	FC/MC/PC48D	1.05	1.08	1.06
TM8X120C20MP11	FC/PC60C	1.03	1.08	1.10
TM9E080C16MP11	FC/MC/PC48C	1.04	1.08	1.10
TM9E080C16MP11	FC/MC/PC48D	1.04	1.07	1.10
TM9E100C16MP11	FC/MC/PC48C	1.04	1.08	1.10
TM9E100C16MP11	FC/MC/PC48D	1.04	1.07	1.10
TM9E100C20MP11	FC/MC/PC48C	1.05	1.08	1.06

Furnaces	Coils	T.C.	S.C.	KW
TM9E100C20MP11	FC/MC/PC48D	1.05	1.07	1.06
TM9E120D20MP11	FC/MC/PC48D	1.05	1.07	1.06
TM9E120D20MP11	FC/MC/PC60D	1.03	1.08	1.10
TMLX080C16MP11	FC/MC/PC48C	1.05	1.08	1.06
TMLX080C16MP11	FC/MC/PC48D	1.05	1.08	1.06
TMLX080C16MP11	FC/PC60C	1.03	1.08	1.10
TMLX100C16MP11	FC/MC/PC48C	1.05	1.08	1.06
TMLX100C16MP11	FC/MC/PC48D	1.05	1.08	1.06
TMLX100C16MP11	FC/PC60C	1.03	1.07	1.10
TMLX100C20MP11	FC/MC/PC48C	1.05	1.08	1.06
TMLX100C20MP11	FC/MC/PC48D	1.05	1.08	1.06
TMLX100C20MP11	FC/PC60C	1.03	1.07	1.10
TMLX120C20MP11	FC/MC/PC48C	1.05	1.08	1.06
TMLX120C20MP11	FC/MC/PC48D	1.05	1.08	1.06
TMLX120C20MP11	FC/PC60C	1.03	1.07	1.10
Y*(8,L)C*C16	FC/MC/PC48C	1.05	1.08	1.06
Y*(8,L)C*C16	FC/MC/PC48D	1.05	1.07	1.06
Y*(8,L)C*C16	FC/PC60C	1.06	1.07	1.08
Y*(8,L)C*C20	FC/MC/PC48C	1.05	1.08	1.06
Y*(8,L)C*C20	FC/MC/PC48D	1.05	1.07	1.06
Y*(8,L)C*C20	FC/PC60C	1.08	1.08	1.09
Y*9C*C16	FC/MC/PC48C	1.05	1.07	1.09
Y*9C*C16	FC/MC/PC48D	1.05	1.07	1.09
Y*9C*C16	FC/PC60C	1.05	1.08	1.11
Y*9C*C20	FC/MC/PC48C	1.05	1.07	1.09
Y*9C*C20	FC/MC/PC48D	1.05	1.07	1.09
Y*9C*C20	FC/PC60C	1.06	1.08	1.12
Y*9C*D20	FC/MC/PC48D	1.05	1.08	1.06
Y*9C*D20	FC/MC/PC60D	1.06	1.08	1.12

COOLING PERFORMANCE DATA																	
CONDENSING UNIT MODEL NO		YHJD48S41S7															
AIR TEMP. ENTERING OUTDOOR UNIT (°F)	IDCFM	1400					1600					1800					
	ID DB (°F)	80	80	75	80	80	80	80	75	80	80	80	80	80	75	80	80
	ID WB (°F)	57	62	62	67	72	57	62	62	67	72	57	62	62	67	72	
65	T.C.	43.3	48.2	47.9	52.1	57.3	46.0	49.5	49.5	54.2	59.4	48.6	50.8	51.1	56.4	61.5	
	S.C.	42.6	38.3	33.1	32.6	27.0	45.2	41.3	35.4	35.0	28.4	47.8	44.3	37.7	37.4	29.8	
	KW	2.46	2.49	2.48	2.51	2.53	2.55	2.56	2.57	2.59	2.61	2.64	2.63	2.66	2.68	2.69	
75	T.C.	41.9	45.9	45.8	49.9	55.0	44.4	47.2	47.2	51.8	56.8	46.8	48.5	48.7	53.6	58.6	
	S.C.	41.2	37.3	32.0	31.6	26.0	43.6	40.3	34.3	33.9	27.4	46.0	43.3	36.6	36.3	28.8	
	KW	2.79	2.82	2.81	2.84	2.87	2.88	2.89	2.90	2.93	2.95	2.97	2.97	2.99	3.01	3.03	
85	T.C.	40.6	43.7	43.6	47.8	52.6	42.8	44.9	44.9	49.4	54.2	45.0	46.1	46.2	50.9	55.8	
	S.C.	39.9	36.2	31.0	30.7	25.0	42.0	39.3	33.3	32.9	26.3	44.2	42.3	35.5	35.2	27.7	
	KW	3.12	3.15	3.14	3.18	3.21	3.21	3.22	3.23	3.26	3.29	3.31	3.30	3.32	3.34	3.38	
95	T.C.	39.2	41.4	41.4	45.6	50.3	41.2	42.6	42.6	46.9	51.6	43.1	43.7	43.8	48.2	52.9	
	S.C.	38.6	35.2	30.0	29.7	24.1	40.5	38.2	32.2	31.9	25.3	42.4	41.3	34.5	34.1	26.6	
	KW	3.46	3.48	3.48	3.52	3.55	3.55	3.55	3.56	3.60	3.64	3.64	3.63	3.65	3.68	3.72	
105	T.C.	37.2	38.8	38.9	42.8	47.2	39.1	39.8	39.9	44.0	48.3	40.9	40.8	40.9	45.1	49.5	
	S.C.	36.6	34.0	28.8	28.5	22.9	38.4	36.7	31.0	30.7	24.1	40.2	39.3	33.2	32.8	25.3	
	KW	3.90	3.92	3.92	3.96	4.01	3.99	4.00	4.00	4.04	4.09	4.08	4.07	4.08	4.12	4.17	
115	T.C.	35.2	36.2	36.4	40.0	44.2	36.9	37.1	37.2	41.0	45.1	38.7	37.9	38.1	42.0	46.1	
	S.C.	34.6	32.9	27.7	27.4	21.8	36.3	35.1	29.9	29.5	22.9	38.0	37.3	32.0	31.6	24.1	
	KW	4.34	4.35	4.36	4.40	4.46	4.44	4.44	4.44	4.48	4.54	4.53	4.52	4.52	4.57	4.62	
125	T.C.	33.2	33.6	33.8	37.3	41.1	34.8	34.3	34.5	38.1	41.9	36.5	35.0	35.2	38.9	42.7	
	S.C.	32.6	31.8	26.6	26.2	20.6	34.2	33.5	28.7	28.2	21.7	35.9	35.0	30.8	30.3	22.9	
	KW	4.79	4.79	4.79	4.84	4.91	4.88	4.88	4.88	4.93	4.99	4.97	4.96	4.96	5.02	5.06	

NOTE: ALL CAPACITIES INCLUDE INDOOR FAN HEAT. KW VALUES ARE FOR THE SYSTEM (OUTDOOR + INDOOR).

Green shaded cells are ACCA (TVA) conditions. Blue shaded cells are AHRI conditions.

Multipliers for determining the performance with other indoor sections.

NOTE: For dry bulb temperatures different than those listed (between 73-87 °F), sensible capacity increases by 1060 BTUH per 1000 CFM per degree above the listed temperature and decreases by 1060 BTUH per 1000 CFM per degree below the listed temperature.

Some of the combinations shown in these multiplier tables are not valid for use in the U.S.A. Please see the Capacity Tables in the front of this Technical Guide for US matches, and verify matchups in the online AHRI directory at www.ahrirectory.org before sale. The matches shown at the end of this Technical Guide are for use in Canada Only.

Air Handlers	Coils	T.C.	S.C.	KW
–	FC/MC/PC60	0.98	1.02	1.16
–	FC/MC62D	0.98	1.04	1.16
AHE48D	–	1.02	1.10	1.11
AHE60D	–	1.02	1.12	1.11
AHV48D	–	0.99	1.02	1.08
AHV60D	–	1.00	1.05	1.09
MV16C	FC60C	1.00	1.10	1.09

Air Handlers	Coils	T.C.	S.C.	KW
MV20D	FC/MC60D	1.00	1.05	1.09
MV20D	FC/MC62D	1.01	1.04	1.10
MX16CN21	FC60C	1.00	1.04	1.11
MX20DN21	FC/MC60D	1.01	1.04	1.10
MX20DN21	FC/MC62D	1.01	1.07	1.10

Furnaces	Coils	T.C.	S.C.	KW
T*(8,L)V*C16	FC/MC/PC60D	1.00	1.07	1.11
T*(8,L)V*C16	FC/MC62D	1.00	1.03	1.11
T*(8,L)V*C16	FC/PC60C	1.00	1.04	1.11
T*(8,L)V*C20	FC/MC/PC60D	1.00	1.04	1.09
T*(8,L)V*C20	FC/MC62D	1.00	1.05	1.09
T*(8,L)V*C20	FC/PC60C	1.00	1.09	1.09
T*9V*C16	FC/MC/PC60D	0.99	1.09	1.15
T*9V*C16	FC/MC62D	0.99	1.03	1.15
T*9V*C16	FC/PC60C	0.99	1.04	1.15
T*9V*C20	FC/MC/PC60D	0.99	1.03	1.12
T*9V*C20	FC/MC62D	1.00	1.08	1.14
T*9V*C20	FC/PC60C	0.99	1.06	1.12
T*9V*D20	FC/MC/PC60D	1.00	1.05	1.11
T*9V*D20	FC/MC62D	1.00	1.03	1.11
TM8X080C16MP11	FC/MC/PC60D	1.00	1.06	1.11
TM8X080C16MP11	FC/MC62D	1.00	1.03	1.11
TM8X080C16MP11	FC/PC60C	1.00	1.03	1.11
TM8X100C16MP11	FC/MC/PC60D	1.00	1.04	1.11
TM8X100C16MP11	FC/MC62D	1.00	1.08	1.11
TM8X100C16MP11	FC/PC60C	1.00	1.08	1.11
TM8X100C20MP11	FC/MC/PC60D	1.00	1.09	1.11
TM8X100C20MP11	FC/MC62D	1.00	1.03	1.09
TM8X100C20MP11	FC/PC60C	1.00	1.04	1.11
TM8X120C20MP11	FC/MC/PC60D	1.00	1.04	1.11
TM8X120C20MP11	FC/MC62D	1.00	1.05	1.09
TM8X120C20MP11	FC/PC60C	1.00	1.06	1.11
TM9E080C16MP11	FC/MC/PC60D	0.99	1.06	1.15
TM9E080C16MP11	FC/MC62D	0.99	1.03	1.15
TM9E080C16MP11	FC/PC60C	0.99	1.09	1.15
TM9E100C16MP11	FC/MC/PC60D	0.99	1.04	1.15
TM9E100C16MP11	FC/MC62D	0.99	1.08	1.15
TM9E100C16MP11	FC/PC60C	0.99	1.00	1.15

Furnaces	Coils	T.C.	S.C.	KW
TM9E100C20MP11	FC/MC/PC60D	1.00	1.09	1.11
TM9E100C20MP11	FC/MC62D	1.00	1.04	1.11
TM9E120D20MP11	FC/MC/PC60D	0.98	1.04	1.11
TM9E120D20MP11	FC/MC62D	0.99	1.06	1.10
TMLX080C16MP11	FC/MC/PC60D	1.00	1.07	1.11
TMLX080C16MP11	FC/MC62D	1.00	1.09	1.11
TMLX080C16MP11	FC/PC60C	1.00	1.03	1.11
TMLX100C16MP11	FC/MC/PC60D	1.00	1.04	1.11
TMLX100C16MP11	FC/MC62D	1.00	1.00	1.11
TMLX100C16MP11	FC/PC60C	1.00	1.06	1.11
TMLX100C20MP11	FC/MC/PC60D	1.00	1.09	1.11
TMLX100C20MP11	FC/MC62D	1.00	1.03	1.09
TMLX100C20MP11	FC/PC60C	1.00	1.04	1.11
TMLX120C20MP11	FC/MC/PC60D	1.00	1.04	1.11
TMLX120C20MP11	FC/MC62D	1.00	1.06	1.09
TMLX120C20MP11	FC/PC60C	1.00	1.06	1.11
Y*(8,L)C*C16	FC/MC/PC60D	1.00	1.07	1.11
Y*(8,L)C*C16	FC/MC62D	1.00	1.03	1.11
Y*(8,L)C*C16	FC/PC60C	1.00	1.04	1.11
Y*(8,L)C*C20	FC/MC/PC60D	1.00	1.04	1.09
Y*(8,L)C*C20	FC/MC62D	1.00	1.05	1.09
Y*(8,L)C*C20	FC/PC60C	1.00	1.09	1.09
Y*9C*C16	FC/MC/PC60D	0.99	1.09	1.15
Y*9C*C16	FC/MC62D	0.99	1.03	1.15
Y*9C*C16	FC/PC60C	0.99	1.04	1.15
Y*9C*C20	FC/MC/PC60D	0.99	1.03	1.12
Y*9C*C20	FC/MC62D	1.00	1.08	1.14
Y*9C*C20	FC/PC60C	0.99	1.06	1.12
Y*9C*D20	FC/MC/PC60D	1.00	1.05	1.11
Y*9C*D20	FC/MC62D	1.00	1.03	1.11

COOLING PERFORMANCE DATA																
CONDENSING UNIT MODEL NO		YHJD60S41S7														
AIR TEMP. ENTERING OUTDOOR UNIT (°F)	IDCFM	1650					1850					2050				
	ID DB (°F)	80	80	75	80	80	80	80	75	80	80	80	80	75	80	80
	ID WB (°F)	57	62	62	67	72	57	62	62	67	72	57	62	62	67	72
65	T.C.	57.5	60.5	60.5	66.0	72.0	59.4	61.6	61.6	67.1	73.0	61.2	62.7	62.6	68.2	74.0
	S.C.	57.1	52.5	44.9	44.2	35.6	58.9	55.6	46.8	46.2	36.7	60.8	58.6	48.8	48.2	37.7
	KW	3.59	3.62	3.62	3.68	3.75	3.68	3.70	3.71	3.76	3.83	3.78	3.79	3.79	3.85	3.92
75	T.C.	55.4	57.7	57.7	63.0	68.8	57.1	58.6	58.6	64.0	69.7	58.8	59.6	59.5	65.0	70.7
	S.C.	55.0	51.3	43.6	42.9	34.2	56.7	54.0	45.5	44.9	35.3	58.4	56.8	47.4	46.8	36.4
	KW	4.02	4.05	4.05	4.11	4.18	4.11	4.13	4.13	4.19	4.27	4.21	4.22	4.21	4.28	4.36
85	T.C.	53.3	54.8	54.9	60.1	65.6	54.9	55.7	55.6	61.0	66.5	56.5	56.5	56.3	61.8	67.4
	S.C.	52.9	50.0	42.2	41.6	32.8	54.5	52.5	44.1	43.6	33.9	56.1	54.9	46.1	45.5	35.0
	KW	4.45	4.47	4.47	4.54	4.61	4.55	4.56	4.56	4.62	4.70	4.64	4.64	4.64	4.71	4.79
95	T.C.	51.2	51.9	52.0	57.1	62.4	52.6	52.7	52.6	57.9	63.2	54.1	53.5	53.1	58.6	64.0
	S.C.	50.8	48.8	40.9	40.4	31.4	52.3	50.9	42.8	42.2	32.5	53.7	53.1	44.7	44.1	33.7
	KW	4.89	4.90	4.90	4.97	5.05	4.98	4.98	4.98	5.06	5.14	5.07	5.07	5.06	5.14	5.23
105	T.C.	48.5	48.3	48.6	53.4	58.5	49.8	49.5	49.1	54.0	59.1	51.2	50.6	49.5	54.6	59.7
	S.C.	48.1	46.6	39.4	38.8	29.9	49.5	48.4	41.3	40.7	31.0	50.8	50.2	43.1	42.6	32.1
	KW	5.43	5.42	5.43	5.50	5.58	5.52	5.52	5.51	5.59	5.67	5.62	5.62	5.60	5.68	5.76
115	T.C.	45.8	44.8	45.2	49.6	54.6	47.0	46.3	45.5	50.1	55.0	48.3	47.7	45.9	50.6	55.5
	S.C.	45.5	44.5	37.9	37.3	28.5	46.7	45.9	39.7	39.2	29.5	47.9	47.4	41.6	41.1	30.5
	KW	5.97	5.95	5.97	6.04	6.12	6.07	6.06	6.05	6.12	6.21	6.17	6.16	6.13	6.21	6.29
125	T.C.	43.1	41.2	41.7	45.9	50.7	44.2	43.0	42.0	46.2	50.9	45.4	44.9	42.3	46.5	51.2
	S.C.	42.8	41.2	36.3	35.7	27.0	43.9	43.0	38.2	37.6	28.0	45.0	44.5	40.0	39.5	28.9
	KW	6.51	6.48	6.50	6.57	6.65	6.62	6.59	6.58	6.66	6.74	6.72	6.71	6.66	6.74	6.82

NOTE: ALL CAPACITIES INCLUDE INDOOR FAN HEAT. KW VALUES ARE FOR THE SYSTEM (OUTDOOR + INDOOR).

Green shaded cells are ACCA (TVA) conditions. Blue shaded cells are AHRI conditions.

Multipliers for determining the performance with other indoor sections.

NOTE: For dry bulb temperatures different than those listed (between 73-87 °F), sensible capacity increases by 1060 BTUH per 1000 CFM per degree above the listed temperature and decreases by 1060 BTUH per 1000 CFM per degree below the listed temperature.

Some of the combinations shown in these multiplier tables are not valid for use in the U.S.A. Please see the Capacity Tables in the front of this Technical Guide for US matches, and verify matchups in the online AHRI directory at www.ahridirectory.org before sale. The matches shown at the end of this Technical Guide are for use in Canada Only.

Air Handlers	Coils	T.C.	S.C.	KW
-	FC/MC62D	0.97	1.01	1.01
-	FC64D	0.97	1.02	1.01
AHE60D	-	0.98	1.01	0.94
AHV60D	-	0.98	0.96	0.94
MV20D	FC/MC62D	0.98	1.01	0.94
MV20D	FC64D	0.98	0.99	0.94
MX20DN21	FC/MC62D	0.98	1.03	0.94
MX20DN21	FC64D	0.98	1.02	0.94

Furnaces	Coils	T.C.	S.C.	KW
T*(8,L)V*C20	FC/MC62D	0.98	0.93	0.94
T*(8,L)V*C20	FC64D	0.98	0.97	0.94
T*9V*C20	FC/MC62D	0.98	0.95	0.94
T*9V*C20	FC64D	0.98	0.95	0.94
T*9V*D20	FC/MC62D	0.98	0.92	0.94
T*9V*D20	FC64D	0.98	0.95	0.94
TM8X100C20MP11	FC/MC62D	0.98	0.92	0.94
TM8X100C20MP11	FC64D	0.98	0.95	0.94

Furnaces	Coils	T.C.	S.C.	KW
TM8X120C20MP11	FC/MC62D	0.98	0.95	0.94
TM8X120C20MP11	FC64D	0.98	0.92	0.94
TM9E100C20MP11	FC/MC62D	0.98	0.96	0.93
TM9E100C20MP11	FC64D	0.98	0.95	0.94
TM9E120D20MP11	FC/MC62D	0.98	0.97	0.93
TM9E120D20MP11	FC64D	0.98	0.92	0.94
TMLX100C20MP11	FC/MC62D	0.98	0.92	0.94
TMLX100C20MP11	FC64D	0.98	0.97	0.94
TMLX120C20MP11	FC/MC62D	0.98	0.95	0.94
TMLX120C20MP11	FC64D	0.98	0.96	0.94
Y*(8,L)C*C20	FC/MC62D	0.98	0.93	0.94
Y*(8,L)C*C20	FC64D	0.98	0.97	0.94
Y*9C*C20	FC/MC62D	0.98	0.95	0.94
Y*9C*C20	FC64D	0.98	0.95	0.94
Y*9C*D20	FC/MC62D	0.98	0.92	0.94
Y*9C*D20	FC64D	0.98	0.95	0.94

HEATING PERFORMANCE DATA										
CONDENSING UNIT MODEL NO		YHJD18S41S7								
AIR TEMP. ENTERING OUTDOOR UNIT (°F)	AIR TEMP. ENTERING INDOOR COIL	ID CFM								
		450			600			750		
		MBH	COP	KW	MBH	COP	KW	MBH	COP	KW
60	60	20.9	4.6	1.34	22.0	5.0	1.30	23.0	5.4	1.25
	70	20.3	4.0	1.48	21.3	4.3	1.44	22.3	4.7	1.39
	80	19.7	3.5	1.63	20.7	3.8	1.58	21.6	4.2	1.52
47	60	18.4	4.2	1.29	18.9	4.4	1.27	19.5	4.6	1.24
	70	17.5	3.6	1.43	18.1	3.9	1.37	18.8	4.2	1.31
	80	16.6	3.1	1.57	17.3	3.3	1.54	18.0	3.5	1.50
40	60	16.4	3.8	1.27	17.0	4.0	1.25	17.5	4.2	1.23
	70	15.9	3.3	1.40	16.5	3.5	1.38	17.1	3.7	1.36
	80	15.4	3.0	1.53	16.0	3.1	1.51	16.6	3.3	1.48
30	60	14.4	3.4	1.23	14.8	3.5	1.23	15.2	3.6	1.22
	70	13.9	3.0	1.36	14.3	3.1	1.35	14.6	3.2	1.34
	80	13.5	2.7	1.49	13.8	2.7	1.48	14.1	2.8	1.47
17	60	11.4	2.8	1.18	11.7	2.9	1.19	11.9	2.9	1.20
	70	10.6	2.4	1.29	10.9	2.5	1.27	11.2	2.6	1.24
	80	10.2	2.1	1.42	10.5	2.2	1.39	10.8	2.3	1.35
10	60	9.5	2.5	1.13	9.6	2.5	1.12	9.7	2.6	1.11
	70	9.1	2.1	1.26	9.3	2.2	1.24	9.5	2.3	1.22
	80	8.6	1.8	1.39	8.9	1.9	1.37	9.3	2.0	1.34

NOTE: ALL CAPACITIES ARE NET, WITH INDOOR FAN HEAT ALREADY DEDUCTED. KW VALUES ARE FOR THE SYSTEM (OUTDOOR + INDOOR).

Yellow shaded cells are AHRI High Heating conditions. **Orange** shaded cells are AHRI Low Heating conditions.

Multipliers for determining the performance with other indoor sections.

Some of the combinations shown in these multiplier tables are not valid for use in the U.S.A. Please see the Capacity Tables in the front of this Technical Guide for US matches, and verify matchups in the online AHRI directory at www.ahridirectory.org before sale. The matches shown at the end of this Technical Guide are for use in Canada Only.

Air Handler	Coil	MBH	COP	KW
–	FC/MC/PC24	0.95	0.86	1.09
–	FC/MC/PC30	0.95	0.86	1.09
–	FC/MC/PC32	0.95	0.86	1.09
–	FC/MC/PC35	0.95	0.86	1.09
AHE22B	–	0.97	0.95	1.00
AHE24B	–	0.97	0.96	1.00
AHE30B	–	0.97	0.96	1.00
AHV24B	–	0.97	0.94	1.00
AHV30B	–	0.97	0.96	1.00

Air Handler	Coil	MBH	COP	KW
MV12B	FC/MC24B	0.97	1.04	1.00
MV12B	FC/MC30B	0.97	0.95	1.00
MV12B	FC/MC35B	0.97	0.96	1.00
MX12BN21	FC/MC24B	0.97	1.00	1.00
MX12BN21	FC/MC30B	0.97	0.95	1.00
MX12BN21	FC/MC35B	0.97	0.95	1.00

Furnace	Coil	MBH	COP	KW
T*(8,L)V*A12	FC/MC/PC24A	0.96	0.96	0.99
T*(8,L)V*A12	FC/MC/PC30A	0.95	0.95	0.99
T*(8,L)V*A12	FC/MC/PC32A	0.97	0.98	0.98
T*(8,L)V*B12	FC/MC/PC24B	0.95	0.94	1.01
T*(8,L)V*B12	FC/MC/PC30B	0.95	0.94	1.01
T*(8,L)V*B12	FC/MC/PC35B	0.97	0.98	0.97
T*(8,L)V*C16	FC/MC/PC35C	0.97	1.00	0.96
T*9V*A10	FC/MC/PC24A	0.96	0.93	1.02
T*9V*A10	FC/MC/PC30A	0.96	0.93	1.02
T*9V*A10	FC/MC/PC32A	0.97	0.95	1.01
T*9V*B12	FC/MC/PC24B	0.95	0.96	0.98
T*9V*B12	FC/MC/PC30B	0.95	0.94	1.01
T*9V*B12	FC/MC/PC35B	0.97	0.97	0.99
T*9V*C16	FC/MC/PC35C	0.97	1.00	0.96
TM8X060A12MP11	FC/MC/PC24A	0.95	0.93	1.02
TM8X060A12MP11	FC/MC/PC30A	0.95	0.93	1.02
TM8X060A12MP11	FC/MC/PC32A	0.97	0.96	1.00
TM8X080B12MP11	FC/MC/PC24B	0.96	0.92	1.03
TM8X080B12MP11	FC/MC/PC30B	0.96	0.92	1.03
TM8X080B12MP11	FC/MC/PC35B	0.97	0.96	1.00
TM8X080C16MP11	FC/MC/PC35C	0.97	0.96	1.00
TM8X100C16MP11	FC/MC/PC35C	0.97	0.96	1.00
TM9E040A10MP11	FC/MC/PC30A	0.97	0.89	1.08
TM9E040A10MP11	FC/MC/PC32A	0.95	0.92	1.03
TM9E060B12MP11	FC/MC/PC24B	0.96	0.92	1.03
TM9E060B12MP11	FC/MC/PC30B	0.96	0.92	1.03
TM9E060B12MP11	FC/MC/PC35B	0.97	0.95	1.01

Furnace	Coil	MBH	COP	KW
TM9E080B12MP11	FC/MC/PC24B	0.96	0.92	1.03
TM9E080B12MP11	FC/MC/PC30B	0.96	0.92	1.03
TM9E080B12MP11	FC/MC/PC35B	0.97	0.95	1.01
TM9E080C16MP11	FC/MC/PC35C	0.97	0.97	0.99
TM9E100C16MP11	FC/MC/PC35C	0.97	0.97	0.99
TM9E100C20MP11	FC/MC/PC35C	0.95	0.92	1.03
TMLX060A12MP11	FC/MC/PC24A	0.95	0.93	1.02
TMLX060A12MP11	FC/MC/PC30A	0.95	0.93	1.02
TMLX060A12MP11	FC/MC/PC32A	0.97	0.96	1.00
TMLX080B12MP11	FC/MC/PC24B	0.96	0.92	1.03
TMLX080B12MP11	FC/MC/PC30B	0.96	0.92	1.03
TMLX080B12MP11	FC/MC/PC35B	0.97	0.96	1.00
TMLX080C16MP11	FC/MC/PC35C	0.97	0.96	1.00
TMLX100C16MP11	FC/MC/PC35C	0.97	0.96	1.00
Y*(8,L)C*A12	FC/MC/PC24A	0.96	0.96	0.99
Y*(8,L)C*A12	FC/MC/PC30A	0.95	0.95	0.99
Y*(8,L)C*A12	FC/MC/PC32A	0.97	0.98	0.98
Y*(8,L)C*B12	FC/MC/PC24B	0.95	0.94	1.01
Y*(8,L)C*B12	FC/MC/PC30B	0.95	0.94	1.01
Y*(8,L)C*B12	FC/MC/PC35B	0.97	0.98	0.97
Y*(8,L)C*C16	FC/MC/PC35C	0.97	1.00	0.96
Y*9C*B12	FC/MC/PC24B	0.95	0.96	0.98
Y*9C*B12	FC/MC/PC30B	0.95	0.94	1.01
Y*9C*B12	FC/MC/PC35B	0.97	0.97	0.99
Y*9C*C16	FC/MC/PC35C	0.97	1.00	0.96

HEATING PERFORMANCE DATA										
CONDENSING UNIT MODEL NO		YHJD24S41S7								
AIR TEMP. ENTERING OUTDOOR UNIT (°F)	AIR TEMP. ENTERING INDOOR COIL	ID CFM								
		600			800			1000		
		MBH	COP	KW	MBH	COP	KW	MBH	COP	KW
60	60	25.7	4.3	1.74	26.5	4.5	1.72	27.2	4.7	1.70
	70	24.0	3.7	1.91	25.1	3.9	1.89	26.1	4.1	1.87
	80	22.3	3.1	2.08	23.6	3.4	2.06	25.0	3.6	2.04
47	60	23.7	4.1	1.68	23.9	4.2	1.67	24.2	4.3	1.66
	70	21.7	3.5	1.84	22.2	3.7	1.78	22.7	3.9	1.72
	80	19.8	2.9	2.00	20.5	3.0	1.99	21.2	3.1	1.98
40	60	19.8	3.6	1.61	20.6	3.7	1.62	21.3	3.8	1.63
	70	18.6	3.1	1.78	19.4	3.2	1.79	20.2	3.3	1.79
	80	17.3	2.6	1.95	18.2	2.7	1.95	19.1	2.9	1.95
30	60	17.7	3.3	1.57	17.9	3.3	1.59	18.0	3.3	1.62
	70	16.6	2.8	1.72	16.9	2.8	1.74	17.2	2.9	1.77
	80	15.4	2.4	1.88	15.9	2.5	1.90	16.4	2.5	1.92
17	60	14.6	2.9	1.50	15.0	2.9	1.54	15.3	2.8	1.58
	70	13.0	2.3	1.66	13.7	2.4	1.66	14.4	2.5	1.66
	80	10.6	1.7	1.80	11.6	1.9	1.80	12.6	2.1	1.80
10	60	13.5	2.7	1.48	13.7	2.7	1.49	13.9	2.7	1.50
	70	12.1	2.2	1.64	12.4	2.2	1.64	12.7	2.3	1.64
	80	10.7	1.8	1.78	11.1	1.8	1.79	11.4	1.9	1.79

NOTE: ALL CAPACITIES ARE NET, WITH INDOOR FAN HEAT ALREADY DEDUCTED. KW VALUES ARE FOR THE SYSTEM (OUTDOOR + INDOOR).

Yellow shaded cells are AHRI High Heating conditions. **Orange** shaded cells are AHRI Low Heating conditions.

Multipliers for determining the performance with other indoor sections.

Some of the combinations shown in these multiplier tables are not valid for use in the U.S.A. Please see the Capacity Tables in the front of this Technical Guide for US matches, and verify matchups in the online AHRI directory at www.ahridirectory.org before sale. The matches shown at the end of this Technical Guide are for use in Canada Only.

Air Handler	Coil	MBH	COP	KW
–	FC/MC/PC32	1.03	0.96	1.06
–	FC/MC/PC35	1.03	0.96	1.06
–	FC/MC/PC37	1.03	0.96	1.06
–	FC/MC/PC43	1.03	0.96	1.06
AHE24B	–	1.04	1.03	0.99
AHE30B	–	1.04	1.03	0.99
AHV24B	–	1.02	1.01	0.99
AHV30B	–	1.04	1.03	1.00

Air Handler	Coil	MBH	COP	KW
MV12B	FC/MC35B	1.01	0.97	1.02
MV12B	FC/MC43B	1.05	1.05	0.99
MX12BN21	FC/MC35B	1.01	0.98	1.02
MX12BN21	FC/MC43B	1.05	1.05	0.99
MX16CN21	FC/MC35C	1.01	0.95	1.05
MX16CN21	FC/MC43C	1.05	1.04	1.00

Furnace	Coil	MBH	COP	KW
T*(8,L)V*A12	FC/MC/PC32A	1.03	0.98	1.03
T*(8,L)V*A12	FC/MC/PC37A	1.05	1.05	0.99
T*(8,L)V*B12	FC/MC/PC35B	1.03	0.98	1.03
T*(8,L)V*B12	FC/MC/PC43B	1.05	1.05	0.99
T*(8,L)V*C16	FC/MC/PC35C	1.03	0.99	1.02
T*(8,L)V*C16	FC/MC/PC43C	1.05	1.06	0.98
T*(8,L)V*C20	FC/MC/PC35C	1.03	1.03	0.98
T*(8,L)V*C20	FC/MC/PC43C	1.04	1.05	0.97
T*9V*A10	FC/MC/PC32A	1.03	0.96	1.06
T*9V*A10	FC/MC/PC37A	1.06	1.02	1.03
T*9V*B12	FC/MC/PC35B	1.03	0.96	1.05
T*9V*B12	FC/MC/PC43B	1.05	1.05	0.99
T*9V*C16	FC/MC/PC35C	1.03	0.99	1.02
T*9V*C16	FC/MC/PC43C	1.05	1.05	0.99
T*9V*C20	FC/MC/PC35C	1.03	1.03	0.99
T*9V*C20	FC/MC/PC43C	1.07	1.08	0.98
TM8X060A12MP11	FC/MC/PC32A	1.03	0.97	1.05
TM8X060A12MP11	FC/MC/PC37A	1.05	1.04	1.00
TM8X080B12MP11	FC/MC/PC35B	1.03	0.97	1.05
TM8X080B12MP11	FC/MC/PC43B	1.05	1.05	0.99
TM8X080C16MP11	FC/MC/PC35C	1.03	0.97	1.05
TM8X080C16MP11	FC/MC/PC43C	1.06	1.03	1.02
TM8X100C16MP11	FC/MC/PC35C	1.03	0.97	1.05
TM8X100C16MP11	FC/MC/PC43C	1.06	1.03	1.02
TM8X100C20MP11	FC/MC/PC35C	1.05	0.99	1.05
TM8X100C20MP11	FC/MC/PC43C	1.06	1.02	1.03
TM8X120C20MP11	FC/MC/PC35C	1.05	0.99	1.05
TM8X120C20MP11	FC/MC/PC43C	1.06	1.02	1.03
TM9E040A10MP11	FC/MC/PC37A	1.07	1.01	1.05
TM9E060B12MP11	FC/MC/PC35B	1.03	0.96	1.05
TM9E060B12MP11	FC/MC/PC43B	1.06	1.03	1.02
TM9E080B12MP11	FC/MC/PC35B	1.03	0.96	1.05
TM9E080B12MP11	FC/MC/PC43B	1.06	1.03	1.02

Furnace	Coil	MBH	COP	KW
TM9E080C16MP11	FC/MC/PC35C	1.03	0.98	1.04
TM9E080C16MP11	FC/MC/PC43C	1.00	0.99	0.99
TM9E100C16MP11	FC/MC/PC35C	1.03	0.98	1.04
TM9E100C16MP11	FC/MC/PC43C	1.00	0.99	0.99
TM9E100C20MP11	FC/MC/PC43C	1.05	1.04	1.00
TMLX060A12MP11	FC/MC/PC32A	1.03	0.97	1.05
TMLX060A12MP11	FC/MC/PC37A	1.05	1.04	1.00
TMLX080B12MP11	FC/MC/PC35B	1.03	0.97	1.05
TMLX080B12MP11	FC/MC/PC43B	1.05	1.05	0.99
TMLX080C16MP11	FC/MC/PC35C	1.03	0.97	1.05
TMLX080C16MP11	FC/MC/PC43C	1.06	1.03	1.02
TMLX100C16MP11	FC/MC/PC35C	1.03	0.97	1.05
TMLX100C16MP11	FC/MC/PC43C	1.06	1.03	1.02
TMLX100C20MP11	FC/MC/PC35C	1.05	0.99	1.05
TMLX100C20MP11	FC/MC/PC43C	1.06	1.02	1.03
TMLX120C20MP11	FC/MC/PC35C	1.05	0.99	1.05
TMLX120C20MP11	FC/MC/PC43C	1.06	1.02	1.03
Y*(8,L)C*A12	FC/MC/PC32A	1.03	0.98	1.03
Y*(8,L)C*A12	FC/MC/PC37A	1.05	1.05	0.99
Y*(8,L)C*B12	FC/MC/PC35B	1.03	0.98	1.03
Y*(8,L)C*B12	FC/MC/PC43B	1.05	1.05	0.99
Y*(8,L)C*C16	FC/MC/PC35C	1.03	0.99	1.02
Y*(8,L)C*C16	FC/MC/PC43C	1.05	1.06	0.98
Y*(8,L)C*C20	FC/MC/PC35C	1.03	1.03	0.98
Y*(8,L)C*C20	FC/MC/PC43C	1.04	1.05	0.97
Y*9C*B12	FC/MC/PC35B	1.03	0.96	1.05
Y*9C*B12	FC/MC/PC43B	1.05	1.05	0.99
Y*9C*C16	FC/MC/PC35C	1.03	0.99	1.02
Y*9C*C16	FC/MC/PC43C	1.05	1.05	0.99
Y*9C*C20	FC/MC/PC35C	1.03	1.03	0.99
Y*9C*C20	FC/MC/PC43C	1.07	1.08	0.98

HEATING PERFORMANCE DATA										
CONDENSING UNIT MODEL NO		YHJD30S41S7								
AIR TEMP. ENTERING OUTDOOR UNIT (°F)	AIR TEMP. ENTERING INDOOR COIL	ID CFM								
		800			1000			1200		
		MBH	COP	KW	MBH	COP	KW	MBH	COP	KW
60	60	36.1	4.9	2.14	36.5	5.2	2.06	36.9	5.5	1.98
	70	35.0	4.3	2.40	35.5	4.5	2.30	36.0	4.8	2.20
	80	34.0	3.7	2.67	34.6	4.0	2.54	35.1	4.3	2.41
47	60	30.5	4.4	2.03	30.9	4.6	1.97	31.3	4.8	1.91
	70	29.7	3.8	2.30	30.1	4.0	2.20	30.5	4.2	2.10
	80	29.0	3.3	2.56	29.3	3.5	2.46	29.7	3.7	2.35
40	60	27.7	4.0	2.02	28.0	4.2	1.96	28.3	4.4	1.90
	70	26.9	3.5	2.25	27.2	3.7	2.18	27.6	3.8	2.11
	80	26.1	3.1	2.48	26.5	3.2	2.40	26.9	3.4	2.32
30	60	24.0	3.6	1.96	24.2	3.7	1.92	24.4	3.8	1.87
	70	23.1	3.1	2.19	23.4	3.2	2.14	23.6	3.3	2.09
	80	22.3	2.7	2.42	22.6	2.8	2.36	22.9	2.9	2.30
17	60	19.1	3.0	1.89	19.3	3.0	1.87	19.5	3.1	1.85
	70	18.4	2.6	2.03	18.7	2.8	1.99	18.9	2.9	1.94
	80	17.3	2.3	2.25	17.7	2.4	2.20	18.1	2.5	2.14
10	60	16.7	2.7	1.80	16.8	2.8	1.77	16.9	2.9	1.74
	70	15.3	2.3	1.99	15.7	2.3	1.96	16.0	2.4	1.93
	80	13.9	1.9	2.19	14.5	2.0	2.15	15.1	2.1	2.10

NOTE: ALL CAPACITIES ARE NET, WITH INDOOR FAN HEAT ALREADY DEDUCTED. KW VALUES ARE FOR THE SYSTEM (OUTDOOR + INDOOR).

Yellow shaded cells are AHRI High Heating conditions. **Orange** shaded cells are AHRI Low Heating conditions.

Multipliers for determining the performance with other indoor sections.

Some of the combinations shown in these multiplier tables are not valid for use in the U.S.A. Please see the Capacity Tables in the front of this Technical Guide for US matches, and verify matchups in the online AHRI directory at www.ahridirectory.org before sale. The matches shown at the end of this Technical Guide are for use in Canada Only.

Air Handler	Coil	MBH	COP	KW
–	FC/MC/PC32	0.95	0.96	1.00
–	FC/MC/PC35	0.95	0.96	1.00
–	FC/MC/PC37	0.95	0.96	1.00
–	FC/MC/PC43	0.95	0.96	1.00
AHE30B	–	0.95	0.95	1.01
AHE36C	–	0.95	0.99	0.96
AHV30B	–	0.94	0.91	1.04
AHV36C	–	0.94	0.97	0.97
MV12B	FC/MC35B	0.94	0.97	0.98

Air Handler	Coil	MBH	COP	KW
MV12B	FC/MC43B	0.96	0.98	0.98
MV16C	FC/MC35C	0.94	0.99	0.96
MV16C	FC/MC43C	0.96	0.99	0.97
MX12BN21	FC/MC35B	0.94	0.96	0.99
MX12BN21	FC/MC43B	0.96	0.98	0.98
MX16CN21	FC/MC35C	0.94	0.95	1.00
MX16CN21	FC/MC43C	0.94	0.99	0.96

Furnace	Coil	MBH	COP	KW
T*(8,L)V*A12	FC/MC/PC32A	0.94	0.91	1.04
T*(8,L)V*A12	FC/MC/PC37A	0.95	0.96	1.00
T*(8,L)V*B12	FC/MC/PC35B	0.95	0.94	1.02
T*(8,L)V*B12	FC/MC/PC43B	0.96	0.97	1.00
T*(8,L)V*C16	FC/MC/PC35C	0.94	0.96	0.99
T*(8,L)V*C16	FC/MC/PC43C	0.96	0.99	0.97
T*(8,L)V*C20	FC/MC/PC35C	0.94	0.95	1.00
T*(8,L)V*C20	FC/MC/PC43C	0.95	1.00	0.95
T*9V*B12	FC/MC/PC35B	0.95	0.93	1.03
T*9V*B12	FC/MC/PC43B	0.96	0.96	1.01
T*9V*C16	FC/MC/PC35C	0.94	0.96	0.99
T*9V*C16	FC/MC/PC43C	0.96	0.97	0.99
T*9V*C20	FC/MC/PC35C	0.94	0.96	0.99
T*9V*C20	FC/MC/PC43C	0.96	0.99	0.97
TM8X060A12MP11	FC/MC/PC37A	0.96	0.93	1.04
TM8X080B12MP11	FC/MC/PC35B	0.94	0.94	1.01
TM8X080B12MP11	FC/MC/PC43B	0.96	0.98	0.98
TM8X080C16MP11	FC/MC/PC35C	0.94	0.97	0.98
TM8X080C16MP11	FC/MC/PC43C	0.94	0.98	0.97
TM8X100C16MP11	FC/MC/PC35C	0.94	0.97	0.98
TM8X100C16MP11	FC/MC/PC43C	0.94	0.98	0.97
TM8X100C20MP11	FC/MC/PC35C	0.94	0.96	0.98
TM8X100C20MP11	FC/MC/PC43C	0.96	0.99	0.97
TM8X120C20MP11	FC/MC/PC35C	0.94	0.96	0.98
TM8X120C20MP11	FC/MC/PC43C	0.96	0.99	0.97
TM9E060B12MP11	FC/MC/PC35B	0.94	0.94	1.01
TM9E060B12MP11	FC/MC/PC43B	0.95	0.96	1.00
TM9E080B12MP11	FC/MC/PC35B	0.94	0.94	1.01
TM9E080B12MP11	FC/MC/PC43B	0.95	0.96	1.00
TM9E080C16MP11	FC/MC/PC35C	0.94	0.96	0.99
TM9E080C16MP11	FC/MC/PC43C	0.96	0.99	0.97

Furnace	Coil	MBH	COP	KW
TM9E100C16MP11	FC/MC/PC35C	0.94	0.96	0.99
TM9E100C16MP11	FC/MC/PC43C	0.96	0.99	0.97
TM9E100C20MP11	FC/MC/PC35C	0.95	0.93	1.03
TM9E100C20MP11	FC/MC/PC43C	0.96	0.95	1.02
TMLX060A12MP11	FC/MC/PC37A	0.96	0.93	1.04
TMLX080B12MP11	FC/MC/PC35B	0.94	0.94	1.01
TMLX080B12MP11	FC/MC/PC43B	0.96	0.98	0.98
TMLX080C16MP11	FC/MC/PC35C	0.94	0.97	0.98
TMLX080C16MP11	FC/MC/PC43C	0.94	0.98	0.97
TMLX100C16MP11	FC/MC/PC35C	0.94	0.97	0.98
TMLX100C16MP11	FC/MC/PC43C	0.94	0.98	0.97
TMLX100C20MP11	FC/MC/PC35C	0.94	0.96	0.98
TMLX100C20MP11	FC/MC/PC43C	0.96	0.99	0.97
TMLX120C20MP11	FC/MC/PC35C	0.94	0.96	0.98
TMLX120C20MP11	FC/MC/PC43C	0.96	0.99	0.97
Y*(8,L)C*A12	FC/MC/PC32A	0.94	0.91	1.04
Y*(8,L)C*A12	FC/MC/PC37A	0.95	0.96	1.00
Y*(8,L)C*B12	FC/MC/PC35B	0.95	0.94	1.02
Y*(8,L)C*B12	FC/MC/PC43B	0.96	0.97	1.00
Y*(8,L)C*C16	FC/MC/PC35C	0.94	0.96	0.99
Y*(8,L)C*C16	FC/MC/PC43C	0.96	0.99	0.97
Y*(8,L)C*C20	FC/MC/PC35C	0.94	0.95	1.00
Y*(8,L)C*C20	FC/MC/PC43C	0.95	1.00	0.95
Y*9C*B12	FC/MC/PC35B	0.95	0.93	1.03
Y*9C*B12	FC/MC/PC43B	0.96	0.96	1.01
Y*9C*C16	FC/MC/PC35C	0.94	0.96	0.99
Y*9C*C16	FC/MC/PC43C	0.96	0.97	0.99
Y*9C*C20	FC/MC/PC35C	0.94	0.96	0.99
Y*9C*C20	FC/MC/PC43C	0.96	0.99	0.97

HEATING PERFORMANCE DATA										
CONDENSING UNIT MODEL NO		YHJD36S41S7								
AIR TEMP. ENTERING OUTDOOR UNIT (°F)	AIR TEMP. ENTERING INDOOR COIL	ID CFM								
		1000			1200			1400		
		MBH	COP	KW	MBH	COP	KW	MBH	COP	KW
60	60	43.1	4.23	2.99	44.0	4.34	2.97	44.9	4.46	2.95
	70	42.3	3.94	3.14	43.1	4.04	3.13	44.0	4.13	3.12
	80	38.9	3.45	3.30	39.8	3.53	3.30	40.7	3.62	3.29
47	60	35.6	3.78	2.76	36.4	3.86	2.76	37.2	3.93	2.77
	70	34.6	3.49	2.90	35.3	3.57	2.90	36.0	3.63	2.91
	80	31.8	3.07	3.03	32.4	3.12	3.04	33.0	3.16	3.06
40	60	31.3	3.44	2.66	31.9	3.50	2.67	32.5	3.56	2.68
	70	30.4	3.20	2.79	31.0	3.24	2.80	31.6	3.28	2.82
	80	28.6	2.87	2.92	29.1	2.90	2.94	29.5	2.92	2.96
30	60	27.0	3.12	2.54	27.4	3.14	2.56	27.8	3.17	2.57
	70	26.0	2.88	2.64	26.3	2.89	2.67	26.7	2.90	2.70
	80	24.2	2.58	2.74	24.5	2.58	2.78	24.8	2.58	2.82
17	60	21.6	2.69	2.35	21.7	2.65	2.40	21.8	2.61	2.45
	70	20.1	2.41	2.45	20.2	2.41	2.45	20.3	2.41	2.45
	80	18.2	2.19	2.44	18.3	2.14	2.50	18.3	2.10	2.56
10	60	18.2	2.41	2.21	18.4	2.38	2.26	18.6	2.35	2.32
	70	16.7	2.19	2.23	16.8	2.14	2.30	17.0	2.11	2.36
	80	15.0	1.95	2.26	15.1	1.90	2.33	15.2	1.85	2.40

NOTE: ALL CAPACITIES ARE NET, WITH INDOOR FAN HEAT ALREADY DEDUCTED. KW VALUES ARE FOR THE SYSTEM (OUTDOOR + INDOOR).

Yellow shaded cells are AHRI High Heating conditions. **Orange** shaded cells are AHRI Low Heating conditions.

Multipliers for determining the performance with other indoor sections.

Some of the combinations shown in these multiplier tables are not valid for use in the U.S.A. Please see the Capacity Tables in the front of this Technical Guide for US matches, and verify matchups in the online AHRI directory at www.ahridirectory.org before sale. The matches shown at the end of this Technical Guide are for use in Canada Only.

Air Handler	Coil	MBH	COP	KW
–	FC/MC/PC37	1.00	1.04	0.97
–	FC/MC/PC43	1.00	1.04	0.97
–	FC/MC/PC48	1.00	1.04	0.97
AHE36C	–	0.99	1.05	0.94
AHE42D	–	0.99	1.07	0.92
AHV36C	–	1.00	1.05	0.95
AHV42D	–	0.99	1.07	0.92
MV12B	FC/MC43B	1.00	1.05	0.95
MV12D	FC/MC48D	0.99	1.08	0.92
MV16C	FC/MC43C	0.99	1.06	0.94

Air Handler	Coil	MBH	COP	KW
MV16C	FC/MC48C	0.99	1.06	0.94
MV20D	FC/MC48D	1.00	1.09	0.92
MX12BN21	FC/MC43B	0.98	1.03	0.95
MX12DN21	FC/MC48D	0.99	1.08	0.92
MX16CN21	FC/MC43C	1.00	1.04	0.96
MX16CN21	FC/MC48C	1.00	1.04	0.96
MX20DN21	FC/MC48D	0.99	1.07	0.92

Furnace	Coil	MBH	COP	KW
T*(8,L)V*A12	FC/MC/PC37A	0.99	1.00	0.99
T*(8,L)V*B12	FC/MC/PC43B	0.97	1.01	0.96
T*(8,L)V*C16	FC/MC/PC43C	0.99	1.05	0.95
T*(8,L)V*C16	FC/MC/PC48C	0.99	1.05	0.94
T*(8,L)V*C20	FC/MC/PC43C	0.99	1.05	0.95
T*(8,L)V*C20	FC/MC/PC48C	0.99	1.06	0.94
T*9V*B12	FC/MC/PC43B	1.00	1.02	0.98
T*9V*C16	FC/MC/PC43C	1.00	1.04	0.97
T*9V*C16	FC/MC/PC48C	1.00	1.04	0.96
T*9V*C20	FC/MC/PC43C	1.00	1.04	0.96
T*9V*C20	FC/MC/PC48C	1.00	1.06	0.95
T*9V*D20	FC/MC/PC48D	1.00	1.06	0.94
TM8X060A12MP11	FC/MC/PC37A	0.99	1.01	0.98
TM8X080B12MP11	FC/MC/PC43B	0.99	1.01	0.98
TM8X080C16MP11	FC/MC/PC43C	0.98	1.04	0.94
TM8X080C16MP11	FC/MC/PC48C	0.99	1.05	0.94
TM8X080C16MP11	FC/MC/PC48D	0.99	1.05	0.94
TM8X100C16MP11	FC/MC/PC43C	0.98	1.04	0.94
TM8X100C16MP11	FC/MC/PC48C	0.99	1.05	0.94
TM8X100C16MP11	FC/MC/PC48D	0.99	1.05	0.94
TM8X100C20MP11	FC/MC/PC43C	1.00	1.05	0.95
TM8X100C20MP11	FC/MC/PC48C	0.99	1.05	0.95
TM8X100C20MP11	FC/MC/PC48D	1.00	1.05	0.95
TM8X120C20MP11	FC/MC/PC43C	1.00	1.05	0.95
TM8X120C20MP11	FC/MC/PC48C	0.99	1.05	0.95
TM8X120C20MP11	FC/MC/PC48D	1.00	1.05	0.95
TM9E060B12MP11	FC/MC/PC43B	0.99	1.01	0.98
TM9E080B12MP11	FC/MC/PC43B	0.99	1.01	0.98
TM9E080C16MP11	FC/MC/PC43C	0.99	1.03	0.96
TM9E080C16MP11	FC/MC/PC48C	1.00	1.04	0.96
TM9E080C16MP11	FC/MC/PC48D	1.00	1.04	0.96
TM9E100C16MP11	FC/MC/PC43C	0.99	1.03	0.96
TM9E100C16MP11	FC/MC/PC48C	1.00	1.04	0.96

Furnace	Coil	MBH	COP	KW
TM9E100C16MP11	FC/MC/PC48D	1.00	1.04	0.96
TM9E100C20MP11	FC/MC/PC43C	0.98	1.03	0.95
TM9E100C20MP11	FC/MC/PC48C	1.00	1.04	0.96
TM9E100C20MP11	FC/MC/PC48D	0.99	1.05	0.95
TM9E120D20MP11	FC/MC/PC48D	0.99	1.05	0.94
TMLX060A12MP11	FC/MC/PC37A	0.99	1.01	0.98
TMLX080B12MP11	FC/MC/PC43B	0.99	1.01	0.98
TMLX080C16MP11	FC/MC/PC43C	0.98	1.04	0.94
TMLX080C16MP11	FC/MC/PC48C	0.99	1.05	0.94
TMLX080C16MP11	FC/MC/PC48D	0.99	1.05	0.94
TMLX100C16MP11	FC/MC/PC43C	0.98	1.04	0.94
TMLX100C16MP11	FC/MC/PC48C	0.99	1.05	0.94
TMLX100C16MP11	FC/MC/PC48D	0.99	1.05	0.94
TMLX100C20MP11	FC/MC/PC43C	1.00	1.05	0.95
TMLX100C20MP11	FC/MC/PC48C	0.99	1.05	0.95
TMLX100C20MP11	FC/MC/PC48D	1.00	1.05	0.95
TMLX120C20MP11	FC/MC/PC43C	1.00	1.05	0.95
TMLX120C20MP11	FC/MC/PC48C	0.99	1.05	0.95
TMLX120C20MP11	FC/MC/PC48D	1.00	1.05	0.95
Y*(8,L)C*A12	FC/MC/PC37A	0.99	1.00	0.99
Y*(8,L)C*B12	FC/MC/PC43B	0.97	1.01	0.96
Y*(8,L)C*C16	FC/MC/PC43C	0.99	1.05	0.95
Y*(8,L)C*C16	FC/MC/PC48C	0.99	1.05	0.94
Y*(8,L)C*C20	FC/MC/PC43C	0.99	1.05	0.95
Y*(8,L)C*C20	FC/MC/PC48C	0.99	1.06	0.94
Y*9C*B12	FC/MC/PC43B	1.00	1.02	0.98
Y*9C*C16	FC/MC/PC43C	1.00	1.04	0.97
Y*9C*C16	FC/MC/PC48C	1.00	1.04	0.96
Y*9C*C20	FC/MC/PC43C	1.00	1.04	0.96
Y*9C*C20	FC/MC/PC48C	1.00	1.06	0.95
Y*9C*D20	FC/MC/PC48D	1.00	1.06	0.94

HEATING PERFORMANCE DATA										
CONDENSING UNIT MODEL NO		YHJD42S41S7								
AIR TEMP. ENTERING OUTDOOR UNIT (°F)	AIR TEMP. ENTERING INDOOR COIL	ID CFM								
		1200			1370			1535		
		MBH	COP	KW	MBH	COP	KW	MBH	COP	KW
60	60	49.0	4.5	3.19	49.7	4.6	3.14	50.4	4.8	3.09
	70	47.0	3.9	3.50	47.8	4.1	3.45	48.6	4.2	3.39
	80	45.0	3.5	3.82	45.8	3.6	3.75	46.7	3.7	3.68
47	60	41.5	3.9	3.08	42.5	4.1	3.05	43.5	4.2	3.01
	70	40.3	3.5	3.37	41.0	3.5	3.33	41.6	3.6	3.29
	80	39.0	3.1	3.66	39.4	3.2	3.62	39.8	3.3	3.58
40	60	38.2	3.7	3.03	38.6	3.8	3.01	39.1	3.8	2.98
	70	36.9	3.3	3.32	37.2	3.3	3.29	37.5	3.4	3.26
	80	35.7	2.9	3.62	35.8	2.9	3.58	36.0	3.0	3.53
30	60	33.2	3.3	2.94	33.3	3.3	2.95	33.3	3.3	2.96
	70	32.2	2.9	3.22	32.3	2.9	3.24	32.4	2.9	3.26
	80	31.1	2.6	3.49	31.3	2.6	3.53	31.4	2.6	3.57
17	60	27.1	2.8	2.87	27.3	2.8	2.87	27.5	2.8	2.87
	70	25.8	2.4	3.13	26.0	2.4	3.13	26.2	2.5	3.13
	80	24.5	2.1	3.39	24.7	2.1	3.39	24.9	2.2	3.39
10	60	23.3	2.5	2.78	24.2	2.5	2.81	25.2	2.6	2.84
	70	22.9	2.2	3.05	23.4	2.2	3.07	24.0	2.3	3.09
	80	22.4	2.0	3.31	22.6	2.0	3.32	22.8	2.0	3.33

NOTE: ALL CAPACITIES ARE NET, WITH INDOOR FAN HEAT ALREADY DEDUCTED. KW VALUES ARE FOR THE SYSTEM (OUTDOOR + INDOOR).

Yellow shaded cells are AHRI High Heating conditions. **Orange** shaded cells are AHRI Low Heating conditions.

Multipliers for determining the performance with other indoor sections.

Some of the combinations shown in these multiplier tables are not valid for use in the U.S.A. Please see the Capacity Tables in the front of this Technical Guide for US matches, and verify matchups in the online AHRI directory at www.ahridirectory.org before sale. The matches shown at the end of this Technical Guide are for use in Canada Only.

Air Handler	Coil	MBH	COP	KW
–	FC/MC/PC48	0.96	1.06	0.93
–	FC/MC/PC60	0.96	1.06	0.93
AHE42D	–	1.12	1.07	1.04
AHE48D	–	1.10	1.08	1.02
AHV42D	–	1.09	1.06	1.03
AHV48D	–	1.10	1.08	1.02
MV16C	FC/MC48C	1.09	1.05	1.03
MV20D	FC/MC48D	1.09	1.08	1.01

Air Handler	Coil	MBH	COP	KW
MV20D	FC/MC60D	1.12	1.10	1.01
MX16CN21	FC/MC48C	1.09	1.05	1.04
MX16CN21	FC60C	1.12	1.07	1.04
MX20DN21	FC/MC48D	1.08	1.08	1.00
MX20DN21	FC/MC60D	1.12	1.10	1.02

Furnace	Coil	MBH	COP	KW
T*(8,L)V*C16	FC/MC/PC48C	0.96	1.06	0.93
T*(8,L)V*C16	FC/MC/PC48D	0.96	1.06	0.93
T*(8,L)V*C16	FC/PC60C	0.96	1.11	0.90
T*(8,L)V*C20	FC/MC/PC48C	0.96	1.06	0.93
T*(8,L)V*C20	FC/MC/PC48D	0.96	1.06	0.93
T*(8,L)V*C20	FC/PC60C	0.96	1.12	0.89
T*9V*C16	FC/MC/PC48C	0.96	1.06	0.94
T*9V*C16	FC/MC/PC48D	0.96	1.06	0.94
T*9V*C16	FC/PC60C	0.96	1.08	0.92
T*9V*C20	FC/MC/PC48C	0.95	1.05	0.93
T*9V*C20	FC/MC/PC48D	0.95	1.05	0.93
T*9V*C20	FC/PC60C	0.95	1.09	0.90
T*9V*D20	FC/MC/PC48D	0.96	1.06	0.94
T*9V*D20	FC/MC/PC60D	0.95	1.10	0.89
TM8X080C16MP11	FC/MC/PC48C	0.96	1.06	0.93
TM8X080C16MP11	FC/MC/PC48D	0.96	1.07	0.93
TM8X080C16MP11	FC/PC60C	0.96	1.09	0.91
TM8X100C16MP11	FC/MC/PC48C	0.96	1.06	0.93
TM8X100C16MP11	FC/MC/PC48D	0.96	1.07	0.93
TM8X100C16MP11	FC/PC60C	0.96	1.09	0.91
TM8X100C20MP11	FC/MC/PC48C	0.96	1.07	0.93
TM8X100C20MP11	FC/MC/PC48D	0.96	1.07	0.93
TM8X100C20MP11	FC/PC60C	0.96	1.09	0.91
TM8X120C20MP11	FC/MC/PC48C	0.96	1.07	0.93
TM8X120C20MP11	FC/MC/PC48D	0.96	1.07	0.93
TM8X120C20MP11	FC/PC60C	0.96	1.09	0.91
TM9E080C16MP11	FC/MC/PC48C	0.96	1.03	0.96
TM9E080C16MP11	FC/MC/PC48D	0.96	1.03	0.96
TM9E100C16MP11	FC/MC/PC48C	0.96	1.03	0.96
TM9E100C16MP11	FC/MC/PC48D	0.96	1.03	0.96
TM9E100C20MP11	FC/MC/PC48C	0.96	1.06	0.93

Furnace	Coil	MBH	COP	KW
TM9E100C20MP11	FC/MC/PC48D	0.96	1.07	0.93
TM9E120D20MP11	FC/MC/PC48D	0.96	1.07	0.93
TM9E120D20MP11	FC/MC/PC60D	0.96	1.07	0.92
TMLX080C16MP11	FC/MC/PC48C	0.96	1.06	0.93
TMLX080C16MP11	FC/MC/PC48D	0.96	1.07	0.93
TMLX080C16MP11	FC/PC60C	0.96	1.09	0.91
TMLX100C16MP11	FC/MC/PC48C	0.96	1.06	0.93
TMLX100C16MP11	FC/MC/PC48D	0.96	1.07	0.93
TMLX100C16MP11	FC/PC60C	0.96	1.09	0.91
TMLX100C20MP11	FC/MC/PC48C	0.96	1.07	0.93
TMLX100C20MP11	FC/MC/PC48D	0.96	1.07	0.93
TMLX100C20MP11	FC/PC60C	0.96	1.09	0.91
TMLX120C20MP11	FC/MC/PC48C	0.96	1.07	0.93
TMLX120C20MP11	FC/MC/PC48D	0.96	1.07	0.93
TMLX120C20MP11	FC/PC60C	0.96	1.09	0.91
Y*(8,L)C*C16	FC/MC/PC48C	0.96	1.06	0.93
Y*(8,L)C*C16	FC/MC/PC48D	0.96	1.06	0.93
Y*(8,L)C*C16	FC/PC60C	0.96	1.11	0.90
Y*(8,L)C*C20	FC/MC/PC48C	0.96	1.06	0.93
Y*(8,L)C*C20	FC/MC/PC48D	0.96	1.06	0.93
Y*(8,L)C*C20	FC/PC60C	0.96	1.12	0.89
Y*9C*C16	FC/MC/PC48C	0.96	1.06	0.94
Y*9C*C16	FC/MC/PC48D	0.96	1.06	0.94
Y*9C*C16	FC/PC60C	0.96	1.08	0.92
Y*9C*C20	FC/MC/PC48C	0.95	1.05	0.93
Y*9C*C20	FC/MC/PC48D	0.95	1.05	0.93
Y*9C*C20	FC/PC60C	0.95	1.09	0.90
Y*9C*D20	FC/MC/PC48D	0.96	1.06	0.94
Y*9C*D20	FC/MC/PC60D	0.95	1.10	0.89

HEATING PERFORMANCE DATA										
CONDENSING UNIT MODEL NO		YHJD48S41S7								
AIR TEMP. ENTERING OUTDOOR UNIT (°F)	AIR TEMP. ENTERING INDOOR COIL	ID CFM								
		1406			1606			1806		
		MBH	COP	KW	MBH	COP	KW	MBH	COP	KW
60	60	54.9	3.6	4.47	55.1	3.6	4.48	55.3	3.6	4.50
	70	53.0	3.3	4.71	53.1	3.4	4.58	53.1	3.4	4.58
	80	51.2	3.1	4.84	51.1	3.2	4.68	51.0	3.2	4.67
47	60	47.4	3.4	4.08	47.5	3.5	3.98	47.6	3.5	3.98
	70	45.1	3.2	4.13	45.0	3.2	4.12	44.9	3.2	4.11
	80	42.9	2.9	4.33	42.5	2.9	4.29	42.2	2.9	4.26
40	60	43.1	3.3	3.83	42.9	3.3	3.81	42.7	3.4	3.68
	70	40.9	3.0	3.99	40.7	3.1	3.85	40.5	3.1	3.83
	80	38.7	2.8	4.05	38.5	2.8	4.03	38.2	2.8	4.00
30	60	35.8	3.0	3.50	36.2	3.0	3.54	36.7	3.1	3.47
	70	34.5	2.8	3.61	34.6	2.8	3.62	34.8	2.8	3.64
	80	33.2	2.6	3.74	33.0	2.6	3.72	32.8	2.6	3.70
17	60	29.4	2.6	3.31	29.1	2.7	3.16	28.7	2.7	3.11
	70	28.7	2.3	3.66	28.0	2.3	3.57	27.3	2.3	3.48
	80	28.0	2.0	4.10	27.0	2.0	3.96	26.0	2.0	3.81
10	60	26.9	2.1	3.75	26.8	2.2	3.57	26.8	2.2	3.57
	70	25.2	1.9	3.89	24.8	2.0	3.63	24.3	2.0	3.56
	80	23.6	1.8	3.84	22.8	1.8	3.71	21.9	1.8	3.56

NOTE: ALL CAPACITIES ARE NET, WITH INDOOR FAN HEAT ALREADY DEDUCTED. KW VALUES ARE FOR THE SYSTEM (OUTDOOR + INDOOR).

Yellow shaded cells are AHRI High Heating conditions. **Orange** shaded cells are AHRI Low Heating conditions.

Multipliers for determining the performance with other indoor sections.

Some of the combinations shown in these multiplier tables are not valid for use in the U.S.A. Please see the Capacity Tables in the front of this Technical Guide for US matches, and verify matchups in the online AHRI directory at www.ahridirectory.org before sale. The matches shown at the end of this Technical Guide are for use in Canada Only.

Air Handler	Coil	MBH	COP	KW
–	FC/MC/PC60	1.00	1.00	1.00
–	FC/MC62D	0.98	1.00	1.00
AHE48D	–	1.02	1.12	0.91
AHE60D	–	1.00	1.14	0.90
AHV48D	–	1.02	1.12	0.91
AHV60D	–	1.00	1.14	0.90
MV16C	FC60C	1.02	1.12	0.91

Air Handler	Coil	MBH	COP	KW
MV20D	FC/MC60D	1.02	1.12	0.91
MV20D	FC/MC62D	1.00	1.14	0.90
MX16CN21	FC60C	1.02	1.12	0.91
MX20DN21	FC/MC60D	1.02	1.12	0.91
MX20DN21	FC/MC62D	1.00	1.14	0.90

Furnace	Coil	MBH	COP	KW
T*(8,L)V*C16	FC/MC/PC60D	1.02	1.12	0.91
T*(8,L)V*C16	FC/MC62D	1.00	1.14	0.90
T*(8,L)V*C16	FC/PC60C	1.02	1.12	0.91
T*(8,L)V*C20	FC/MC/PC60D	1.02	1.12	0.91
T*(8,L)V*C20	FC/MC62D	1.00	1.14	0.90
T*(8,L)V*C20	FC/PC60C	1.02	1.12	0.91
T*9V*C16	FC/MC/PC60D	1.02	1.12	0.91
T*9V*C16	FC/MC62D	1.00	1.14	0.90
T*9V*C16	FC/PC60C	1.02	1.12	0.91
T*9V*C20	FC/MC/PC60D	1.02	1.12	0.91
T*9V*C20	FC/MC62D	1.00	1.14	0.90
T*9V*C20	FC/PC60C	1.02	1.12	0.91
T*9V*D20	FC/MC/PC60D	1.02	1.12	0.91
T*9V*D20	FC/MC62D	1.00	1.14	0.90
TM8X080C16MP11	FC/MC/PC60D	1.02	1.12	0.91
TM8X080C16MP11	FC/MC62D	1.00	1.14	0.90
TM8X080C16MP11	FC/PC60C	1.02	1.12	0.91
TM8X100C16MP11	FC/MC/PC60D	1.02	1.12	0.91
TM8X100C16MP11	FC/MC62D	1.00	1.14	0.90
TM8X100C16MP11	FC/PC60C	1.02	1.12	0.91
TM8X100C20MP11	FC/MC/PC60D	1.02	1.12	0.91
TM8X100C20MP11	FC/MC62D	1.00	1.14	0.90
TM8X100C20MP11	FC/PC60C	1.02	1.12	0.91
TM8X120C20MP11	FC/MC/PC60D	1.02	1.12	0.91
TM8X120C20MP11	FC/MC62D	1.00	1.14	0.90
TM8X120C20MP11	FC/PC60C	1.02	1.12	0.91
TM9E080C16MP11	FC/MC/PC60D	1.02	1.12	0.91
TM9E080C16MP11	FC/MC62D	1.00	1.14	0.90
TM9E080C16MP11	FC/PC60C	1.02	1.12	0.91
TM9E100C16MP11	FC/MC/PC60D	1.02	1.12	0.91
TM9E100C16MP11	FC/MC62D	1.00	1.14	0.90
TM9E100C16MP11	FC/PC60C	1.02	1.12	0.91

Furnace	Coil	MBH	COP	KW
TM9E100C20MP11	FC/MC/PC60D	1.02	1.12	0.91
TM9E100C20MP11	FC/MC62D	1.00	1.14	0.90
TM9E120D20MP11	FC/MC/PC60D	1.02	1.12	0.91
TM9E120D20MP11	FC/MC62D	1.00	1.14	0.90
TMLX080C16MP11	FC/MC/PC60D	1.02	1.12	0.91
TMLX080C16MP11	FC/MC62D	1.00	1.14	0.90
TMLX080C16MP11	FC/PC60C	1.02	1.12	0.91
TMLX100C16MP11	FC/MC/PC60D	1.02	1.12	0.91
TMLX100C16MP11	FC/MC62D	1.00	1.14	0.90
TMLX100C16MP11	FC/PC60C	1.02	1.12	0.91
TMLX100C20MP11	FC/MC/PC60D	1.02	1.12	0.91
TMLX100C20MP11	FC/MC62D	1.00	1.14	0.90
TMLX100C20MP11	FC/PC60C	1.02	1.12	0.91
TMLX120C20MP11	FC/MC/PC60D	1.02	1.12	0.91
TMLX120C20MP11	FC/MC62D	1.00	1.14	0.90
TMLX120C20MP11	FC/PC60C	1.02	1.12	0.91
Y*(8,L)C*C16	FC/MC/PC60D	1.02	1.12	0.91
Y*(8,L)C*C16	FC/MC62D	1.00	1.14	0.90
Y*(8,L)C*C16	FC/PC60C	1.02	1.12	0.91
Y*(8,L)C*C20	FC/MC/PC60D	1.02	1.12	0.91
Y*(8,L)C*C20	FC/MC62D	1.00	1.14	0.90
Y*(8,L)C*C20	FC/PC60C	1.02	1.12	0.91
Y*9C*C16	FC/MC/PC60D	1.02	1.12	0.91
Y*9C*C16	FC/MC62D	1.00	1.14	0.90
Y*9C*C16	FC/PC60C	1.02	1.12	0.91
Y*9C*C20	FC/MC/PC60D	1.02	1.12	0.91
Y*9C*C20	FC/MC62D	1.00	1.14	0.90
Y*9C*C20	FC/PC60C	1.02	1.12	0.91
Y*9C*D20	FC/MC/PC60D	1.02	1.12	0.91
Y*9C*D20	FC/MC62D	1.00	1.14	0.90

HEATING PERFORMANCE DATA										
CONDENSING UNIT MODEL NO		YHJD60S41S7								
AIR TEMP. ENTERING OUTDOOR UNIT (°F)	AIR TEMP. ENTERING INDOOR COIL	ID CFM								
		1600			1800			2000		
		MBH	COP	KW	MBH	COP	KW	MBH	COP	KW
60	60	72.1	3.76	5.02	71.1	3.77	4.85	70.1	3.79	4.68
	70	70.9	3.40	5.52	70.6	3.44	5.34	70.3	3.49	5.17
	80	69.8	3.09	6.02	70.2	3.16	5.84	70.5	3.23	5.66
47	60	62.7	3.68	4.39	62.4	3.69	4.28	62.1	3.71	4.16
	70	61.1	3.30	4.82	61.1	3.52	4.42	61.1	3.76	4.02
	80	59.6	2.98	5.26	59.9	3.35	4.56	60.1	3.82	3.87
40	60	55.6	3.52	4.04	55.9	3.55	3.95	56.2	3.58	3.86
	70	54.3	3.14	4.47	54.5	3.17	4.36	54.8	3.21	4.26
	80	52.9	2.82	4.90	53.1	2.85	4.78	53.3	2.89	4.66
30	60	45.3	3.16	3.60	45.7	3.19	3.53	46.1	3.21	3.46
	70	43.9	2.85	3.91	44.3	2.87	3.86	44.8	2.89	3.81
	80	42.4	2.58	4.22	43.0	2.59	4.19	43.5	2.60	4.15
17	60	38.0	2.83	3.33	38.5	2.85	3.30	39.1	2.86	3.26
	70	35.5	2.48	3.60	36.5	2.52	3.58	37.5	2.55	3.56
	80	33.0	2.16	3.87	34.4	2.23	3.86	35.9	2.28	3.86
10	60	32.3	2.55	3.11	32.8	2.57	3.07	33.3	2.60	3.02
	70	31.3	2.27	3.44	31.5	2.28	3.38	31.8	2.28	3.33
	80	30.3	2.04	3.76	30.2	2.03	3.70	30.2	2.02	3.64

NOTE: ALL CAPACITIES ARE NET, WITH INDOOR FAN HEAT ALREADY DEDUCTED. KW VALUES ARE FOR THE SYSTEM (OUTDOOR + INDOOR).

Yellow shaded cells are AHRI High Heating conditions. **Orange** shaded cells are AHRI Low Heating conditions.

Multipliers for determining the performance with other indoor sections.

Some of the combinations shown in these multiplier tables are not valid for use in the U.S.A. Please see the Capacity Tables in the front of this Technical Guide for US matches, and verify matchups in the online AHRI directory at www.ahridirectory.org before sale. The matches shown at the end of this Technical Guide are for use in Canada Only.

Air Handlers	Coils	MBH	COP	KW
–	FC/MC62D	0.93	1.03	1.04
–	FC64D	0.93	1.03	1.04
AHE60D	–	0.93	1.07	1.00
AHV60D	–	0.93	1.03	1.04
MV20D	FC/MC62D	0.93	1.06	1.01
MV20D	FC64D	0.93	1.09	0.98
MX20DN21	FC/MC62D	0.93	1.07	1.00
MX20DN21	FC64D	0.93	1.10	0.97

Furnaces	Coils	MBH	COP	KW
T*(8,L)V*C20	FC/MC62D	0.93	1.02	1.05
T*(8,L)V*C20	FC64D	0.93	1.09	0.99
T*9V*C20	FC/MC62D	0.93	1.02	1.06
T*9V*C20	FC64D	0.93	1.05	1.02
T*9V*D20	FC/MC62D	0.93	1.02	1.05
T*9V*D20	FC64D	0.93	1.06	1.02
TM8X100C20MP11	FC/MC62D	0.93	1.03	1.04
TM8X100C20MP11	FC64D	0.93	1.06	1.02

Furnaces	Coils	MBH	COP	KW
TM8X120C20MP11	FC/MC62D	0.93	1.03	1.04
TM8X120C20MP11	FC64D	0.93	1.06	1.02
TM9E100C20MP11	FC/MC62D	0.93	1.01	1.06
TM9E100C20MP11	FC64D	0.93	1.04	1.03
TM9E120D20MP11	FC/MC62D	0.93	1.01	1.06
TM9E120D20MP11	FC64D	0.93	1.03	1.04
TMLX100C20MP11	FC/MC62D	0.93	1.03	1.04
TMLX100C20MP11	FC64D	0.93	1.06	1.02
TMLX120C20MP11	FC/MC62D	0.93	1.03	1.04
TMLX120C20MP11	FC64D	0.93	1.06	1.02
Y*(8,L)C*C20	FC/MC62D	0.93	1.02	1.05
Y*(8,L)C*C20	FC64D	0.93	1.09	0.99
Y*9C*C20	FC/MC62D	0.93	1.02	1.06
Y*9C*C20	FC64D	0.93	1.05	1.02
Y*9C*D20	FC/MC62D	0.93	1.02	1.05
Y*9C*D20	FC64D	0.93	1.06	1.02

COOLING CAPACITY - Upflow, Downflow & Horizontal Furnaces and Coils (Coil Only Ratings) - CANADA ONLY

UNIT MODEL	COIL		CFM RANGE (MIN.-MAX.)	STAGE	COOLING				
	MODEL	WIDTH			RATED CFM	NET MBH		SEER ¹	EER
						TOTAL	SENS.		
14 SEER HP COIL ONLY RATINGS									
YHJD18S41S7	FC/MC/PC24	14.5, 17.5	450 - 750	-	600	18.0	13.3	13.00	11.00
YHJD18S41S7	FC/MC/PC30	14.5, 17.5	450 - 750	-	600	18.0	13.3	13.00	11.00
YHJD18S41S7	FC/MC/PC32	14.5	450 - 750	-	600	18.0	13.4	13.00	11.00
YHJD18S41S7	FC/MC/PC35	17.5, 21.0	450 - 750	-	600	18.0	13.4	13.00	11.00
YHJD24S41S7	FC/MC/PC32	14.5	600 - 1000	-	800	22.6	17.7	13.00	11.00
YHJD24S41S7	FC/MC/PC35	17.5, 21.0	600 - 1000	-	800	22.6	17.7	13.00	11.00
YHJD24S41S7	FC/MC/PC37	14.5	600 - 1000	-	800	22.6	17.9	13.00	11.00
YHJD24S41S7	FC/MC/PC43	17.5, 21.0	600 - 1000	-	800	22.6	17.9	13.00	11.00
YHJD30S41S7	FC/MC/PC32	14.5	800 - 1200	-	1000	29.4	22.0	13.00	11.00
YHJD30S41S7	FC/MC/PC35	17.5, 21.0	800 - 1200	-	1000	29.4	22.0	13.00	11.00
YHJD30S41S7	FC/MC/PC37	14.5	800 - 1200	-	1000	29.4	22.4	13.00	11.00
YHJD30S41S7	FC/MC/PC43	17.5, 21.0	800 - 1200	-	1000	29.4	22.4	13.00	11.00
YHJD36S41S7	FC/MC/PC37	14.5	1000 - 1400	-	1200	35.4	27.4	13.00	11.00
YHJD36S41S7	FC/MC/PC43	17.5, 21.0	1000 - 1400	-	1200	35.4	27.4	13.00	11.00
YHJD36S41S7	FC/MC/PC48	21.0, 24.5	1000 - 1400	-	1200	35.4	27.6	13.00	11.00
YHJD42S41S7	FC/MC/PC48	21.0, 24.5	1200 - 1600	-	1400	40.5	31.6	13.00	11.00
YHJD42S41S7	FC/MC/PC60	21.0, 24.5	1200 - 1600	-	1400	40.5	31.8	13.00	11.00
YHJD48S41S7	FC/MC/PC60	21.0, 24.5	1400 - 1800	-	1600	45.0	32.4	13.00	11.00
YHJD48S41S7	FC/MC62D	24.5	1400 - 1800	-	1600	45.0	33.2	13.00	11.00
YHJD60S41S7	FC/MC62D	24.5	1600 - 2000	-	1800	56.0	42.5	13.00	11.00
YHJD60S41S7	FC64D	24.5	1600 - 2000	-	1800	56.0	43.0	13.00	11.00

1. Requires a 2FD06700224 Blower Time Delay unless a standard furnace is equipped with one.

MA Modular Air Handlers use Coil Only Ratings.

PSC furnaces, such as the TG8S, TGLS, and TG9S, use Coil Only Ratings.

COOLING CAPACITY - With High Efficiency Motor Furnaces - CANADA ONLY

UNIT MODEL	FURNACE		COIL ¹ MODEL	COOLING				
	MODEL	WIDTH		RATED CFM	NET MBH		SEER	EER
					TOTAL	SENS.		
14 SEER HP WITH HIGH EFFICIENCY MOTOR FURNACES²								
YHJD18S41S7	TM9E040A10MP11	14.5	FC/MC/PC30A	600	17.8	13.4	13.00	11.50
YHJD18S41S7	TM9E100C20MP11	21.0	FC/MC/PC35C	600	18.0	14.1	13.50	11.75
YHJD24S41S7	T*9V*A10	14.5	FC/MC/PC32A	580	22.6	15.3	13.50	11.75
YHJD24S41S7	T*9V*A10	14.5	FC/MC/PC37A	790	24.0	15.5	13.50	11.75
YHJD24S41S7	TM8X060A12MP11	14.5	FC/MC/PC32A	600	22.8	17.9	13.50	12.00
YHJD24S41S7	TM8X080B12MP11	17.5	FC/MC/PC35B	600	22.8	15.6	13.50	12.00
YHJD24S41S7	TM8X080C16MP11	21.0	FC/MC/PC35C	600	22.8	17.9	13.50	12.00
YHJD24S41S7	TM8X100C16MP11	21.0	FC/MC/PC35C	600	22.8	17.7	13.50	12.00
YHJD24S41S7	TM8X100C20MP11	21.0	FC/MC/PC35C	800	23.8	17.9	13.50	11.75
YHJD24S41S7	TM8X100C20MP11	21.0	FC/MC/PC43C	800	24.0	17.9	13.50	11.75
YHJD24S41S7	TM8X120C20MP11	21.0	FC/MC/PC35C	800	23.8	17.8	13.50	11.75
YHJD24S41S7	TM8X120C20MP11	21.0	FC/MC/PC43C	800	24.0	15.6	13.50	11.75
YHJD24S41S7	TM9E060B12MP11	17.5	FC/MC/PC35B	600	22.8	18.1	13.50	11.75
YHJD24S41S7	TM9E080B12MP11	17.5	FC/MC/PC35B	600	22.8	15.6	13.50	11.75
YHJD24S41S7	TMLX060A12MP11	14.5	FC/MC/PC32A	600	22.8	15.6	13.50	12.00
YHJD24S41S7	TMLX080B12MP11	17.5	FC/MC/PC35B	600	22.8	17.9	13.50	12.00
YHJD24S41S7	TMLX080C16MP11	21.0	FC/MC/PC35C	600	22.8	15.5	13.50	12.00
YHJD24S41S7	TMLX100C16MP11	21.0	FC/MC/PC35C	600	22.8	18.0	13.50	12.00
YHJD24S41S7	TMLX100C20MP11	21.0	FC/MC/PC35C	800	23.8	15.7	13.50	11.75
YHJD24S41S7	TMLX100C20MP11	21.0	FC/MC/PC43C	800	24.0	15.9	13.50	11.75
YHJD24S41S7	TMLX120C20MP11	21.0	FC/MC/PC35C	800	23.8	15.7	13.50	11.75
YHJD24S41S7	TMLX120C20MP11	21.0	FC/MC/PC43C	800	24.0	18.1	13.50	11.75
YHJD30S41S7	T*(8,L)V*B12	17.5	FC/MC/PC35B	1020	30.0	22.2	13.75	11.50
YHJD30S41S7	T*9V*B12	17.5	FC/MC/PC35B	1045	29.8	22.4	13.50	11.50
YHJD30S41S7	TM8X060A12MP11	14.5	FC/MC/PC37A	1025	30.0	22.6	13.25	11.50
YHJD30S41S7	TM9E100C20MP11	21.0	FC/MC/PC35C	1000	29.8	21.6	13.25	11.50
YHJD30S41S7	TM9E100C20MP11	21.0	FC/MC/PC43C	1000	30.0	22.4	13.75	11.50
YHJD30S41S7	TMLX060A12MP11	14.5	FC/MC/PC37A	1025	30.0	21.6	13.25	11.50
YHJD30S41S7	Y*(8,L)C*B12	17.5	FC/MC/PC35B	1020	30.0	22.2	13.75	11.50
YHJD30S41S7	Y*9C*B12	17.5	FC/MC/PC35B	1045	29.8	22.4	13.50	11.50
YHJD36S41S7	T*(8,L)V*A12	14.5	FC/MC/PC37A	1150	35.2	26.4	13.25	11.50
YHJD36S41S7	T*9V*B12	17.5	FC/MC/PC43B	1200	35.6	27.4	13.50	11.50
YHJD36S41S7	T*9V*C16	21.0	FC/MC/PC43C	1240	36.0	26.4	13.75	11.75
YHJD36S41S7	TM8X060A12MP11	14.5	FC/MC/PC37A	1125	35.2	26.2	13.50	11.50
YHJD36S41S7	TM8X080B12MP11	17.5	FC/MC/PC43B	1175	35.2	27.2	13.50	11.50
YHJD36S41S7	TM9E060B12MP11	17.5	FC/MC/PC43B	1125	35.2	27.4	13.50	11.50
YHJD36S41S7	TM9E080B12MP11	17.5	FC/MC/PC43B	1125	35.2	26.4	13.50	11.50
YHJD36S41S7	TMLX060A12MP11	14.5	FC/MC/PC37A	1125	35.2	26.2	13.50	11.50
YHJD36S41S7	TMLX080B12MP11	17.5	FC/MC/PC43B	1175	35.2	27.2	13.50	11.50
YHJD36S41S7	Y*(8,L)C*A12	14.5	FC/MC/PC37A	1150	35.2	26.4	13.25	11.50
YHJD36S41S7	Y*9C*B12	17.5	FC/MC/PC43B	1200	35.6	27.4	13.50	11.50
YHJD36S41S7	Y*9C*C16	21.0	FC/MC/PC43C	1240	36.0	26.4	13.75	11.75
YHJD42S41S7	TM9E080C16MP11	21.0	FC/MC/PC48C	1400	40.5	31.6	13.25	11.50
YHJD42S41S7	TM9E080C16MP11	21.0	FC/MC/PC48D	1400	40.5	31.4	13.25	11.50
YHJD42S41S7	TM9E100C16MP11	21.0	FC/MC/PC48C	1400	40.5	31.6	13.25	11.50
YHJD42S41S7	TM9E100C16MP11	21.0	FC/MC/PC48D	1400	40.5	31.2	13.25	11.50
YHJD48S41S7	T*(8,L)V*C16	21.0	FC/MC/PC60D	1420	46.0	34.0	13.50	11.75
YHJD48S41S7	T*(8,L)V*C16	21.0	FC/PC60C	1420	46.0	33.2	13.50	11.75
YHJD48S41S7	T*9V*C16	21.0	FC/MC/PC60D	1445	46.0	34.8	13.25	11.25
YHJD48S41S7	T*9V*C16	21.0	FC/MC62D	1445	46.5	32.8	13.25	11.25
YHJD48S41S7	T*9V*C16	21.0	FC/PC60C	1445	46.0	33.2	13.25	11.25
YHJD48S41S7	T*9V*C20	21.0	FC/MC/PC60D	1445	46.0	32.8	13.50	11.50
YHJD48S41S7	T*9V*C20	21.0	FC/MC62D	1445	47.0	34.6	13.50	11.50
YHJD48S41S7	T*9V*C20	21.0	FC/PC60C	1445	46.0	33.8	13.50	11.50
YHJD48S41S7	T*9V*D20	24.5	FC/MC/PC60D	1445	46.0	33.6	13.50	11.75
YHJD48S41S7	TM8X080C16MP11	21.0	FC/MC/PC60D	1375	46.0	33.8	13.75	11.75

For Notes see Page 50

COOLING CAPACITY - With High Efficiency Motor Furnaces - CANADA ONLY (Continued)

UNIT MODEL	FURNACE		COIL ¹ MODEL	COOLING				
	MODEL	WIDTH		RATED CFM	NET MBH		SEER	EER
					TOTAL	SENS.		
14 SEER HP WITH HIGH EFFICIENCY MOTOR FURNACES²								
YHJD48S41S7	TM8X080C16MP11	21.0	FC/PC60C	1350	46.0	32.8	13.75	11.75
YHJD48S41S7	TM8X100C16MP11	21.0	FC/MC/PC60D	1375	46.0	33.2	13.75	11.75
YHJD48S41S7	TM8X100C16MP11	21.0	FC/PC60C	1350	46.0	34.6	13.75	11.75
YHJD48S41S7	TM8X100C20MP11	21.0	FC/PC60C	1375	46.0	33.2	13.75	11.75
YHJD48S41S7	TM8X120C20MP11	21.0	FC/PC60C	1375	46.0	33.8	13.75	11.75
YHJD48S41S7	TM9E080C16MP11	21.0	FC/MC/PC60D	1400	46.0	33.8	13.00	11.25
YHJD48S41S7	TM9E080C16MP11	21.0	FC/MC62D	1400	46.5	32.8	13.00	11.25
YHJD48S41S7	TM9E080C16MP11	21.0	FC/PC60C	1400	46.0	34.8	13.00	11.25
YHJD48S41S7	TM9E100C16MP11	21.0	FC/MC/PC60D	1400	46.0	33.2	13.00	11.25
YHJD48S41S7	TM9E100C16MP11	21.0	FC/MC62D	1400	46.5	34.6	13.00	11.25
YHJD48S41S7	TM9E100C16MP11	21.0	FC/PC60C	1400	46.0	32.0	13.00	11.25
YHJD48S41S7	TM9E100C20MP11	21.0	FC/MC/PC60D	1350	46.0	34.8	13.75	11.75
YHJD48S41S7	TM9E120D20MP11	24.5	FC/MC/PC60D	1325	46.0	33.2	13.50	11.50
YHJD48S41S7	TMLX080C16MP11	21.0	FC/MC/PC60D	1375	46.0	34.0	13.75	11.75
YHJD48S41S7	TMLX080C16MP11	21.0	FC/PC60C	1350	46.0	33.0	13.75	11.75
YHJD48S41S7	TMLX100C16MP11	21.0	FC/MC/PC60D	1375	46.0	33.2	13.75	11.75
YHJD48S41S7	TMLX100C16MP11	21.0	FC/PC60C	1350	46.0	33.8	13.75	11.75
YHJD48S41S7	TMLX100C20MP11	21.0	FC/PC60C	1375	46.0	33.2	13.75	11.75
YHJD48S41S7	TMLX120C20MP11	21.0	FC/PC60C	1375	46.0	33.8	13.75	11.75
YHJD48S41S7	Y*(8,L)C*C16	21.0	FC/MC/PC60D	1420	46.0	34.0	13.50	11.75
YHJD48S41S7	Y*(8,L)C*C16	21.0	FC/PC60C	1420	46.0	33.2	13.50	11.75
YHJD48S41S7	Y*9C*C16	21.0	FC/MC/PC60D	1445	46.0	34.8	13.25	11.25
YHJD48S41S7	Y*9C*C16	21.0	FC/MC62D	1445	46.5	32.8	13.25	11.25
YHJD48S41S7	Y*9C*C16	21.0	FC/PC60C	1445	46.0	33.2	13.25	11.25
YHJD48S41S7	Y*9C*C20	21.0	FC/MC/PC60D	1445	46.0	32.8	13.50	11.50
YHJD48S41S7	Y*9C*C20	21.0	FC/MC62D	1445	47.0	34.6	13.50	11.50
YHJD48S41S7	Y*9C*C20	21.0	FC/PC60C	1445	46.0	33.8	13.50	11.50
YHJD48S41S7	Y*9C*D20	24.5	FC/MC/PC60D	1445	46.0	33.6	13.50	11.75

1. MC coils available with a factory installed horizontal drain pan. See price pages for specific model number.

2. High Efficiency Motor Furnaces have B.O.D (Blower on Delay) standard.

PSC furnaces, such as the TG8S, TGLS, and TG9S, use Coil Only Ratings.

HEATING CAPACITY - Upflow, Downflow, and Horizontal Furnaces and Coils (Coil Only Ratings) - CANADA ONLY

UNIT MODEL	COIL ¹ MODEL	HEATING ²						
		47°F			17°F			HSPF
		MBH	COP	KW	MBH	COP	KW	STD
14 SEER HP COIL ONLY RATINGS								
YHJD18S41S7	FC/MC/PC24	17.2	3.36	1.50	8.2	2.16	1.11	7.70
YHJD18S41S7	FC/MC/PC30	17.2	3.36	1.50	8.2	2.16	1.11	7.70
YHJD18S41S7	FC/MC/PC32	17.2	3.36	1.50	8.2	2.16	1.11	7.70
YHJD18S41S7	FC/MC/PC35	17.2	3.36	1.50	8.2	2.16	1.11	7.70
YHJD24S41S7	FC/MC/PC32	22.8	3.54	1.89	11.7	2.34	1.46	7.70
YHJD24S41S7	FC/MC/PC35	22.8	3.54	1.89	11.7	2.34	1.46	7.70
YHJD24S41S7	FC/MC/PC37	22.8	3.54	1.89	11.7	2.34	1.46	7.70
YHJD24S41S7	FC/MC/PC43	22.8	3.54	1.89	11.7	2.34	1.46	7.70
YHJD30S41S7	FC/MC/PC32	28.6	3.82	2.19	13.6	2.28	1.75	7.70
YHJD30S41S7	FC/MC/PC35	28.6	3.82	2.19	13.6	2.28	1.75	7.70
YHJD30S41S7	FC/MC/PC37	28.6	3.82	2.19	13.6	2.28	1.75	7.70
YHJD30S41S7	FC/MC/PC43	28.6	3.82	2.19	13.6	2.28	1.75	7.70
YHJD36S41S7	FC/MC/PC37	35.4	3.70	2.80	18.7	2.42	2.26	7.70
YHJD36S41S7	FC/MC/PC43	35.4	3.70	2.80	18.7	2.42	2.26	7.70
YHJD36S41S7	FC/MC/PC48	35.4	3.70	2.80	18.7	2.42	2.26	7.70
YHJD42S41S7	FC/MC/PC48	39.5	3.72	3.11	20.6	2.42	2.49	7.70
YHJD42S41S7	FC/MC/PC60	39.5	3.72	3.11	20.6	2.42	2.49	7.70
YHJD48S41S7	FC/MC/PC60	46.0	3.26	4.13	24.4	2.40	2.98	7.70
YHJD48S41S7	FC/MC62D	46.0	3.26	4.13	24.4	2.40	2.98	7.70
YHJD60S41S7	FC/MC62D	57.0	3.64	4.59	37.6	2.46	4.48	7.70
YHJD60S41S7	FC64D	57.0	3.64	4.59	37.6	2.46	4.48	7.70

1. Rated CFM same as for cooling.

2. Heating MBH based on AHRI standards of 70 °F DB (Dry Bulb) entering indoor air, 72% RH (Relative Humidity) outdoor air with 25 feet of interconnecting piping and no supplemental electric heat operation.

COP equals MBH output divided by (total KW input x 3.412).

HSPF (Heating Seasonal Performance Factor) is the total heating output during a normal annual usage period for heating divided by the total electric power input during the same period.

MA Modular Air Handlers use Coil Only Ratings.

PSC furnaces, such as the TG8S, TGLS, and TG9S, use Coil Only Ratings.

— = Not Applicable.

HEATING CAPACITY - With High Efficiency Motor Furnaces - CANADA ONLY

UNIT MODEL	FURNACE MODEL	COIL ¹ MODEL	HEATING ²						
			47°F			17°F			HSPF
			MBH	COP	KW	MBH	COP	KW	STD
14 SEER HP WITH HIGH EFFICIENCY MOTOR FURNACES³									
YHJD18S41S7	TM9E040A10MP11	FC/MC/PC30A	17.5	3.46	1.48	10.5	2.12	1.45	7.75
YHJD18S41S7	TM9E100C20MP11	FC/MC/PC35C	17.2	3.58	1.41	11.3	2.36	1.40	7.75
YHJD24S41S7	T*9V*A10	FC/MC/PC32A	22.8	3.54	1.89	11.7	2.34	1.46	8.00
YHJD24S41S7	T*9V*A10	FC/MC/PC37A	23.6	3.78	1.83	12.6	2.40	1.54	8.00
YHJD24S41S7	TM8X060A12MP11	FC/MC/PC32A	22.8	3.58	1.87	11.7	2.36	1.45	8.00
YHJD24S41S7	TM8X080B12MP11	FC/MC/PC35B	22.8	3.58	1.87	11.7	2.36	1.45	8.00
YHJD24S41S7	TM8X080C16MP11	FC/MC/PC35C	22.8	3.58	1.87	11.7	2.36	1.45	8.00
YHJD24S41S7	TM8X100C16MP11	FC/MC/PC35C	22.8	3.58	1.87	11.7	2.36	1.45	8.00
YHJD24S41S7	TM8X100C20MP11	FC/MC/PC35C	23.4	3.68	1.86	12.5	2.36	1.55	8.00
YHJD24S41S7	TM8X100C20MP11	FC/MC/PC43C	23.6	3.76	1.84	12.6	2.38	1.55	8.00
YHJD24S41S7	TM8X120C20MP11	FC/MC/PC35C	23.4	3.68	1.86	12.5	2.36	1.55	8.00
YHJD24S41S7	TM8X120C20MP11	FC/MC/PC43C	23.6	3.76	1.84	12.6	2.38	1.55	8.00
YHJD24S41S7	TM9E060B12MP11	FC/MC/PC35B	22.8	3.56	1.88	11.8	2.34	1.48	8.00
YHJD24S41S7	TM9E080B12MP11	FC/MC/PC35B	22.8	3.56	1.88	11.8	2.34	1.48	8.00
YHJD24S41S7	TMLX060A12MP11	FC/MC/PC32A	22.8	3.58	1.87	11.7	2.36	1.45	8.00
YHJD24S41S7	TMLX080B12MP11	FC/MC/PC35B	22.8	3.58	1.87	11.7	2.36	1.45	8.00
YHJD24S41S7	TMLX080C16MP11	FC/MC/PC35C	22.8	3.58	1.87	11.7	2.36	1.45	8.00
YHJD24S41S7	TMLX100C16MP11	FC/MC/PC35C	22.8	3.58	1.87	11.7	2.36	1.45	8.00
YHJD24S41S7	TMLX100C20MP11	FC/MC/PC35C	23.4	3.68	1.86	12.5	2.36	1.55	8.00
YHJD24S41S7	TMLX100C20MP11	FC/MC/PC43C	23.6	3.76	1.84	12.6	2.38	1.55	8.00
YHJD24S41S7	TMLX120C20MP11	FC/MC/PC35C	23.4	3.68	1.86	12.5	2.36	1.55	8.00
YHJD24S41S7	TMLX120C20MP11	FC/MC/PC43C	23.6	3.76	1.84	12.6	2.38	1.55	8.00
YHJD30S41S7	T*(8,L)V*B12	FC/MC/PC35B	28.6	3.74	2.24	13.8	2.24	1.81	8.00
YHJD30S41S7	T*9V*B12	FC/MC/PC35B	28.6	3.70	2.26	13.9	2.22	1.83	8.00
YHJD30S41S7	TM8X060A12MP11	FC/MC/PC37A	29.0	3.72	2.28	14.3	2.20	1.90	8.00
YHJD30S41S7	TM9E100C20MP11	FC/MC/PC35C	28.6	3.70	2.26	13.9	2.20	1.85	8.00
YHJD30S41S7	TM9E100C20MP11	FC/MC/PC43C	29.0	3.80	2.24	14.2	2.24	1.86	8.00
YHJD30S41S7	TMLX060A12MP11	FC/MC/PC37A	29.0	3.72	2.28	14.3	2.20	1.90	8.00
YHJD30S41S7	Y*(8,L)C*B12	FC/MC/PC35B	28.6	3.74	2.24	13.8	2.24	1.81	8.00
YHJD30S41S7	Y*9C*B12	FC/MC/PC35B	28.6	3.70	2.26	13.9	2.22	1.83	8.00
YHJD36S41S7	T*(8,L)V*A12	FC/MC/PC37A	35.0	3.58	2.86	18.7	2.36	2.32	8.00
YHJD36S41S7	T*9V*B12	FC/MC/PC43B	35.4	3.64	2.85	18.7	2.38	2.30	8.00
YHJD36S41S7	T*9V*C16	FC/MC/PC43C	35.4	3.70	2.80	18.7	2.42	2.26	8.00
YHJD36S41S7	TM8X060A12MP11	FC/MC/PC37A	35.0	3.60	2.85	18.6	2.38	2.29	8.00
YHJD36S41S7	TM8X080B12MP11	FC/MC/PC43B	35.0	3.60	2.85	18.6	2.38	2.29	8.00
YHJD36S41S7	TM9E060B12MP11	FC/MC/PC43B	35.0	3.60	2.85	18.6	2.38	2.29	8.00
YHJD36S41S7	TM9E080B12MP11	FC/MC/PC43B	35.0	3.60	2.85	18.6	2.38	2.29	8.00
YHJD36S41S7	TMLX060A12MP11	FC/MC/PC37A	35.0	3.60	2.85	18.6	2.38	2.29	8.00
YHJD36S41S7	TMLX080B12MP11	FC/MC/PC43B	35.0	3.60	2.85	18.6	2.38	2.29	8.00
YHJD36S41S7	Y*(8,L)C*A12	FC/MC/PC37A	35.0	3.58	2.86	18.7	2.36	2.32	8.00
YHJD36S41S7	Y*9C*B12	FC/MC/PC43B	35.4	3.64	2.85	18.7	2.38	2.30	8.00
YHJD36S41S7	Y*9C*C16	FC/MC/PC43C	35.4	3.70	2.80	18.7	2.42	2.26	8.00
YHJD42S41S7	TM9E080C16MP11	FC/MC/PC48C	39.5	3.62	3.20	21.0	2.34	2.63	8.00
YHJD42S41S7	TM9E080C16MP11	FC/MC/PC48D	39.5	3.62	3.20	21.0	2.34	2.63	8.00
YHJD42S41S7	TM9E100C16MP11	FC/MC/PC48C	39.5	3.62	3.20	21.0	2.34	2.63	8.00
YHJD42S41S7	TM9E100C16MP11	FC/MC/PC48D	39.5	3.62	3.20	21.0	2.34	2.63	8.00
YHJD48S41S7	T*(8,L)V*C16	FC/MC/PC60D	46.0	3.60	3.74	24.4	2.38	3.00	8.00
YHJD48S41S7	T*(8,L)V*C16	FC/PC60C	46.0	3.60	3.74	24.4	2.38	3.00	8.00
YHJD48S41S7	T*9V*C16	FC/MC/PC60D	46.0	3.60	3.74	24.8	2.34	3.11	8.00
YHJD48S41S7	T*9V*C16	FC/MC62D	45.0	3.28	4.02	25.0	2.38	3.08	8.00
YHJD48S41S7	T*9V*C16	FC/PC60C	46.0	3.60	3.74	24.8	2.34	3.11	8.00
YHJD48S41S7	T*9V*C20	FC/MC/PC60D	46.0	3.60	3.74	24.6	2.38	3.03	8.00
YHJD48S41S7	T*9V*C20	FC/MC62D	45.0	3.32	3.97	24.8	2.42	3.00	8.00
YHJD48S41S7	T*9V*C20	FC/PC60C	46.0	3.60	3.74	24.6	2.38	3.03	8.00
YHJD48S41S7	T*9V*D20	FC/MC/PC60D	46.0	3.60	3.74	24.4	2.38	3.00	8.00
YHJD48S41S7	TM8X080C16MP11	FC/MC/PC60D	46.0	3.60	3.74	24.4	2.40	2.98	8.00

For Notes see Page 53

HEATING CAPACITY - With High Efficiency Motor Furnaces - CANADA ONLY (Continued)

UNIT MODEL	FURNACE MODEL	COIL ¹ MODEL	HEATING ²						
			47°F			17°F			HSPF
			MBH	COP	KW	MBH	COP	KW	STD
14 SEER HP WITH HIGH EFFICIENCY MOTOR FURNACES³									
YHJD48S41S7	TM8X080C16MP11	FC/PC60C	46.0	3.60	3.74	24.4	2.40	2.98	8.00
YHJD48S41S7	TM8X100C16MP11	FC/MC/PC60D	46.0	3.60	3.74	24.4	2.40	2.98	8.00
YHJD48S41S7	TM8X100C16MP11	FC/PC60C	46.0	3.60	3.74	24.4	2.40	2.98	8.00
YHJD48S41S7	TM8X100C20MP11	FC/PC60C	46.0	3.60	3.74	24.4	2.40	2.98	8.00
YHJD48S41S7	TM8X120C20MP11	FC/PC60C	46.0	3.60	3.74	24.4	2.40	2.98	8.00
YHJD48S41S7	TM9E080C16MP11	FC/MC/PC60D	46.0	3.60	3.74	24.8	2.32	3.13	7.75
YHJD48S41S7	TM9E080C16MP11	FC/PC60C	46.0	3.60	3.74	24.8	2.32	3.13	7.75
YHJD48S41S7	TM9E100C16MP11	FC/MC/PC60D	46.0	3.60	3.74	24.8	2.32	3.13	7.75
YHJD48S41S7	TM9E100C16MP11	FC/MC62D	45.0	3.26	4.04	25.2	2.36	3.13	8.00
YHJD48S41S7	TM9E100C16MP11	FC/PC60C	46.0	3.60	3.74	24.8	2.32	3.13	7.75
YHJD48S41S7	TM9E100C20MP11	FC/MC/PC60D	46.0	3.60	3.74	24.4	2.40	2.98	8.00
YHJD48S41S7	TM9E120D20MP11	FC/MC/PC60D	46.0	3.60	3.74	24.4	2.40	2.98	8.00
YHJD48S41S7	TMLX080C16MP11	FC/MC/PC60D	46.0	3.60	3.74	24.4	2.40	2.98	8.00
YHJD48S41S7	TMLX080C16MP11	FC/PC60C	46.0	3.60	3.74	24.4	2.40	2.98	8.00
YHJD48S41S7	TMLX100C16MP11	FC/MC/PC60D	46.0	3.60	3.74	24.4	2.40	2.98	8.00
YHJD48S41S7	TMLX100C16MP11	FC/PC60C	46.0	3.60	3.74	24.4	2.40	2.98	8.00
YHJD48S41S7	TMLX100C20MP11	FC/PC60C	46.0	3.60	3.74	24.4	2.40	2.98	8.00
YHJD48S41S7	TMLX120C20MP11	FC/PC60C	46.0	3.60	3.74	24.4	2.40	2.98	8.00
YHJD48S41S7	Y*(8,L)C*C16	FC/MC/PC60D	46.0	3.60	3.74	24.4	2.38	3.00	8.00
YHJD48S41S7	Y*(8,L)C*C16	FC/PC60C	46.0	3.60	3.74	24.4	2.38	3.00	8.00
YHJD48S41S7	Y*9C*C16	FC/MC/PC60D	46.0	3.60	3.74	24.8	2.34	3.11	8.00
YHJD48S41S7	Y*9C*C16	FC/MC62D	45.0	3.28	4.02	25.0	2.38	3.08	8.00
YHJD48S41S7	Y*9C*C16	FC/PC60C	46.0	3.60	3.74	24.8	2.34	3.11	8.00
YHJD48S41S7	Y*9C*C20	FC/MC/PC60D	46.0	3.60	3.74	24.6	2.38	3.03	8.00
YHJD48S41S7	Y*9C*C20	FC/MC62D	45.0	3.32	3.97	24.8	2.42	3.00	8.00
YHJD48S41S7	Y*9C*C20	FC/PC60C	46.0	3.60	3.74	24.6	2.38	3.03	8.00
YHJD48S41S7	Y*9C*D20	FC/MC/PC60D	46.0	3.60	3.74	24.4	2.38	3.00	8.00

1. Rated CFM same as for cooling.

2. Heating MBH based on AHRI standards of 70 °F DB (Dry Bulb) entering indoor air, 72% RH (Relative Humidity) outdoor air with 25 feet of interconnecting piping and no supplemental electric heat operation.

3. High Efficiency Motor Furnaces have B.O.D (Blower on Delay) standard.

COP equals MBH output divided by (total KW input x 3.412).

HSPF (Heating Seasonal Performance Factor) is the total heating output during a normal annual usage period for heating divided by the total electric power input during the same period.

PSC furnaces, such as the TG8S, TGLS, and TG9S, use Coil Only Ratings.

— = Not Applicable.

