

Figure 12

ADJUSTING REAR ROLLER HEIGHT

There are five cutting heights on the control quadrant. The cutting heights are shown in Figure 12. Move the cutting height control lever to the position desired.

NOTE

Cutting heights are measured with the rear rollers setting on the ground, and the implement lift lever set in the corresponding position on the lift quadrant or the next lower position for 2'' (5.08 cm) and 3'' (7.62 cm) cutting position (See Fig. 12).

MOWER LEVELING ADJUSTMENT

The mower is pre-set at the factory and under normal conditions will never need adjusting. However, the mower should be checked periodically and if necessary adjusted as follows:

1. Side to Side: If one side of the mower is lower than the other, remove the rear hanger bracket on the low side of the mower and reassemble it in a different set of holes to make it shorter and raise the low side of the mower.
2. Blade Tilt: Position cutter blade parallel to tractor centerline (Fore and Aft). Check that the front tip of the blades are .125 to .375 below rear tip. If the mower needs to be adjusted, remove both rear hanger brackets and reassemble them in different sets of holes as necessary to get the proper adjustment. Move both rear brackets the same amount.

ATTACHING MOWER TO TRACTOR

On models with implement lift handle, proceed as follows:

1. Be sure that engine is off. Set parking brake.
2. Pull implement lift handle back and lock it in the last notch of quadrant to raise the hitch assembly.

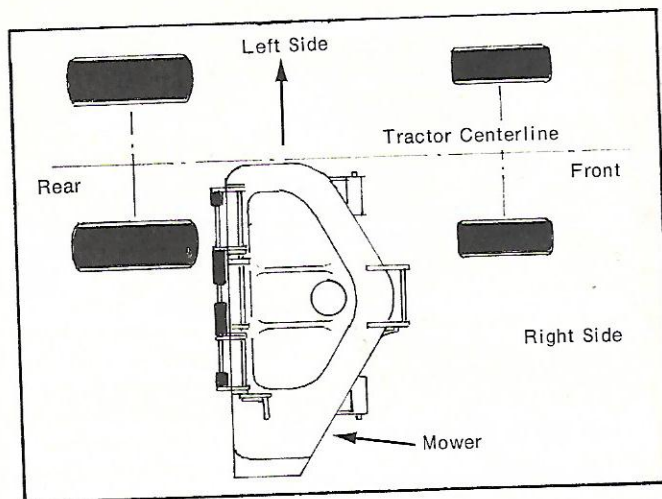


Figure 13

3. Set rear rollers in the load position.
4. Slide the mower under the tractor (See Fig. 13).
5. Position the mower under the tractor as far to the rear as possible.
6. Push the implement lift lever forward to lower the lift linkage.
7. Push down the lift linkage manually, then slide the mower forward, making sure the front and rear hitch brackets are inside the mower lift arms. Lift mower with implement lift handle to lock front hitch latch in place on the front hanger bar.

On models with hydraulic lift lever or electric lift switch, proceed as follows:

1. Set parking brake.
2. Turn on switch with key and start engine. Pull hydraulic lift lever back or press electric lift switch up to raise the hitch assembly. Shut engine off. **BE SURE ENGINE IS SHUT OFF BEFORE PERFORMING STEPS NO. 3, 4, and 5.**
3. Set rear rollers in "load" position.
4. Slide the mower under the tractor (See Fig. 13). Position the unit under the tractor as far to the rear as possible.
5. Start the engine and move the hydraulic lift lever forward or press electric lift switch down to lower the lift linkage. Shut engine off. **BE SURE ENGINE IS SHUT OFF BEFORE PERFORMING STEP NO. 6.**
6. Manually push down lift linkage. Slide the mower forward, making sure the front and rear hitch brackets are inside the mower lift arms. Start engine and move hydraulic lift lever back or press electric lift switch up to lift mower slightly and engage the front hitch latch on the front hanger bar. Lower the unit to the load position, then shut engine off. **BE SURE THE ENGINE IS SHUT OFF BEFORE MAKING BELT INSTALLATION OR ADJUSTMENT.**