

MAINTENANCE

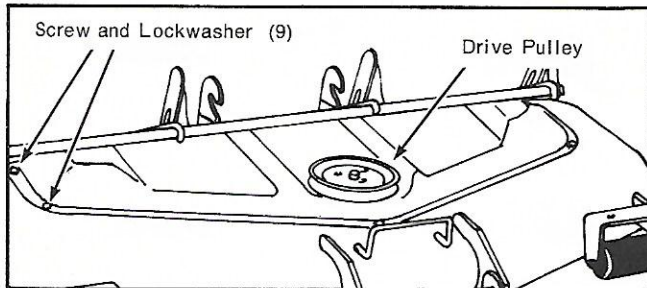


Figure 8

CUTTER DRIVE BELT REPLACEMENT

1. Detach the mower from the tractor.
2. Take the drive pulley off by removing the three smaller screws and lockwashers. Do not remove the larger screw from the hub (See Fig. 8).
3. Remove 9 screws and lockwashers from around the belt cover and carefully remove it from the mower (See Fig. 8).
4. With a pair of pliers, grip the end of the tension spring and remove it from the slot in the mower housing (See Fig. 9).
5. Remove the worn belt and replace it with a new one.
6. Hook the end of the tension spring in the slot.
7. Replace the cover and fasten it securely with the 9 screws and lockwashers previously removed.
8. Remount the drive pulley with three screws and lockwashers.

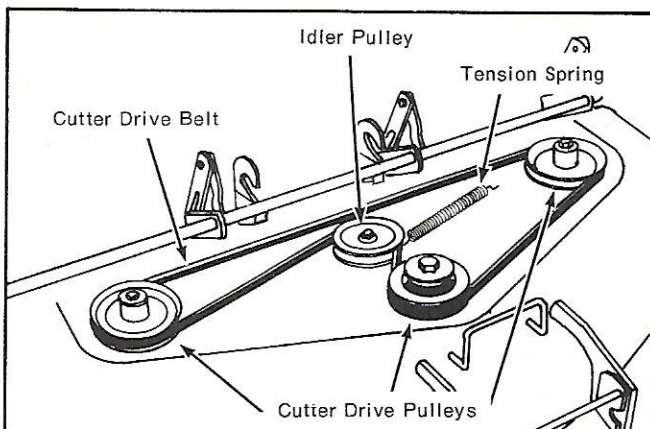


Figure 9

CUTTER BAR

Cutter Bar Removal - (See Fig. 10). This operation must be performed with the mower detached from the tractor. Turn the mower over on its back and remove the screw and lockwasher at the center of each cutter bar.

It is recommended that the cutter bar bearings be lubricated before replacing the cutter bars. See Lubrication section.

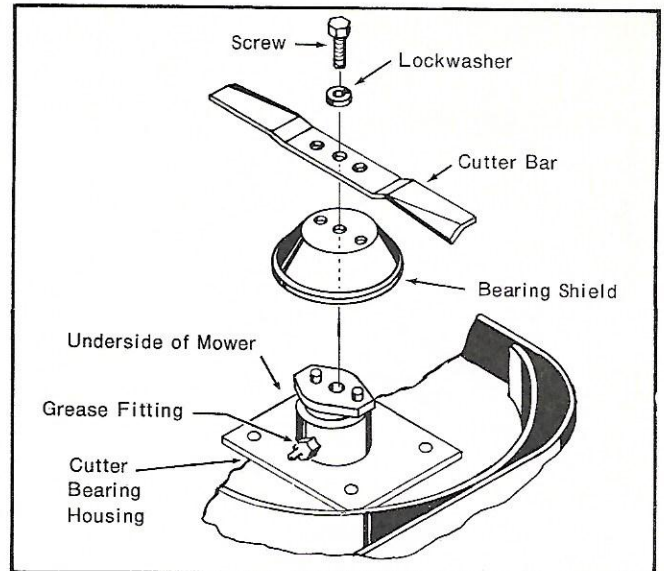


Figure 10

When sharpening the cutter bar, do not follow the original angle of grind as shown in "A" (See Figure 11). Instead, grind new cutting edges on the diagonal as shown in "B". Make sure that each cutting edge receives an equal amount of grinding to prevent having an unbalanced bar which will cause excessive vibrations at high speeds and may damage the mower.

WARNING - DANGER

Incorrect resharpening of the cutter bar as illustrated in "A", Fig. 11, may result in serious bodily injury should the sudden impact of the bar and a foreign object occur during operation causing a possible broken blade tip to be discharged from under the mower.

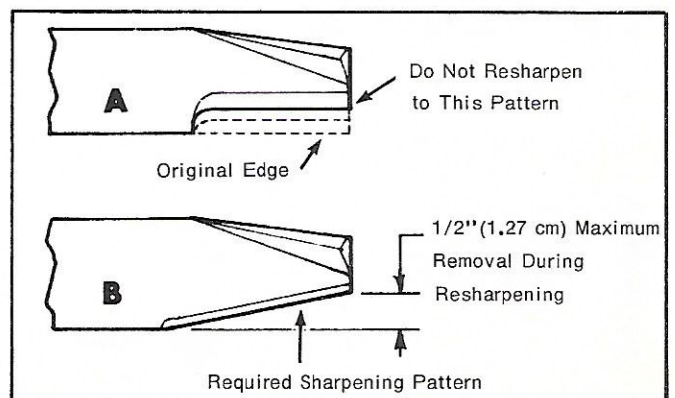


Figure 11