

OPERATING CONTROLS

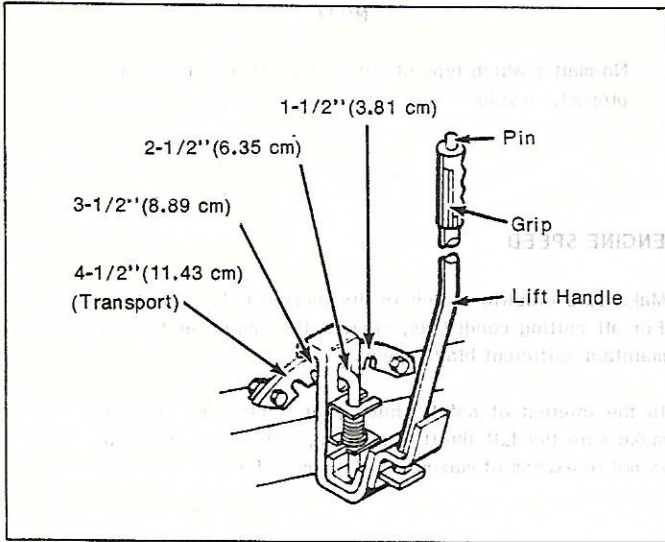


Figure 4

IMPLEMENT LIFT HANDLE

The mower is raised or lowered manually by the implement lift handle. Moving the lift handle rearward as far as possible and locking the handle in the nearest notch in the quadrant (See Fig.

4) places the mower in the transport position. Moving the handle forward lowers the mower to the cutting positions.

ELECTRIC CLUTCH

The electric clutch engages and disengages the engine power for driving the mower and is controlled by a special switch. (See Fig. 3 or 5).

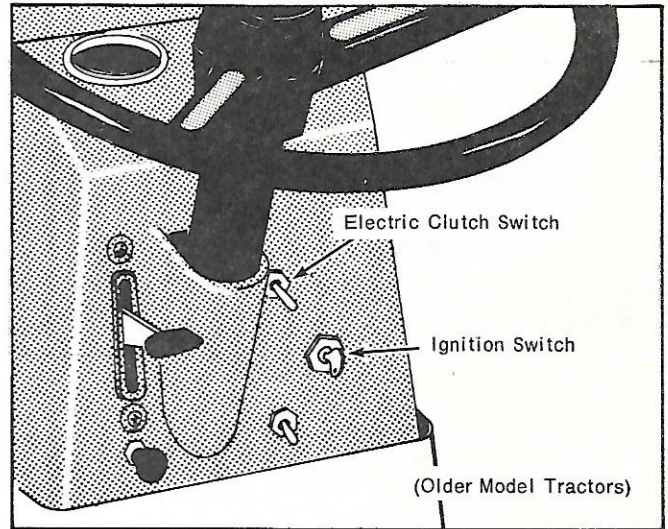


Figure 5

OPERATION

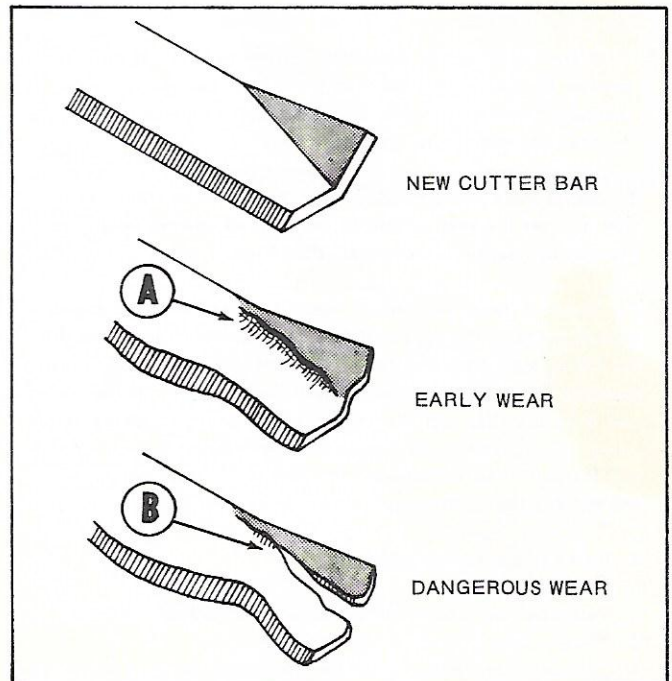
CUTTER BAR

Before each use of the mower, examine the cutter bar to make sure it is in good operating condition. Lay the machine on its side and check as follows:

WARNING - DANGER

To avoid possible serious bodily injury, completely detach the mower from the tractor before doing any maintenance on the mower.

1. The cutter bar should follow along a straight line and should not be bent. The bar can be checked with a straightedge.
2. If the cutter bar is bent as may happen if it strikes a curb, survey stake or other object, it should be replaced as it may be damaged. The damage might be a microscopic crack which could grow, allowing a piece of the bar to break off and be thrown out from under the mower, causing serious bodily injury (See "B", Fig. 6).



3. Examine the ends of the cutter bar and the transition between the turned up air wings and the flat part on the side away from