

# SET-UP INSTRUCTIONS

## DEFINITIONS OF DIRECTIONS

As used throughout this manual, the following definitions apply: "Right" and "Left" refer to the operator's right and left when seated in the normal operating position on the tractor. "Forward" and "Rearward" likewise refer to the directions from the viewpoint of the operator.

## ASSEMBLING CHUTE DEFLECTOR AND HEIGHT CONTROL LEVER

1. Remove banding straps on carton by cutting or breaking. Remove the literature bag, bag of parts, discharge chute deflector, and cutting height control lever from carton. Slice carton open at the corners and fold down the sides. Remove mower from carton and remove all additional packing material from mower.
2. Assemble discharge chute deflector to underside of mower housing, using two (short) carriage bolts, flat washers, lockwashers, and nuts, by inserting carriage bolts through deflector and then through mower housing. Tighten nuts finger tight. Assemble clamp to front and rear of deflector and mower housing using two (long) carriage bolts and nuts. Do not use flat washers and lockwashers at this time. Tighten nuts on clamps securely with a wrench until clamps are bent to fit tight against mower housing. Remove nuts from clamps and add flat washers and lockwashers. Replace nuts on clamp and tighten securely (See Fig. 1).
3. Slide cutting height control lever onto rear roller adjustment shaft on mower housing. Secure in place with pivot pin and 1/8 x 1/2 cotter pin. (Be sure head of pivot pin is towards rear of deck). Line up hole in lever with long hole in quadrant and secure with 3/8-16 x 2 screw, large washer, spring, small washer, and nut (See Fig. 2).

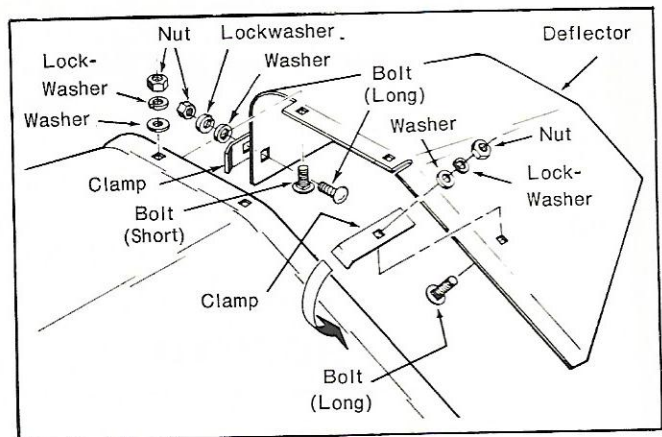


Figure 1

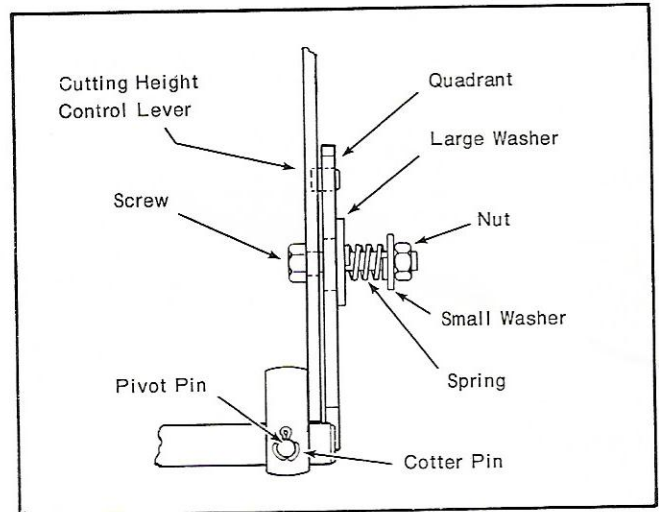


Figure 2

# OPERATING CONTROLS

## CAUTION

Do not operate this mower without the discharge chute extension bolted securely in place. See UNPACKING AND SET-UP INSTRUCTIONS.

The operation of the mower is controlled from the operator's position on the tractor by the hydraulic lift, implement lift handle or electric clutch.

## HYDRAULIC LIFT

To raise the mower to the transport position, move the hydraulic lift lever rearward (See Fig. 3) until the mower is raised up to the tractor frame, then release the lift lever. To lower the mower for cutting, move the hydraulic lift lever forward until the mower is at the desired cutting height, then release the lever.

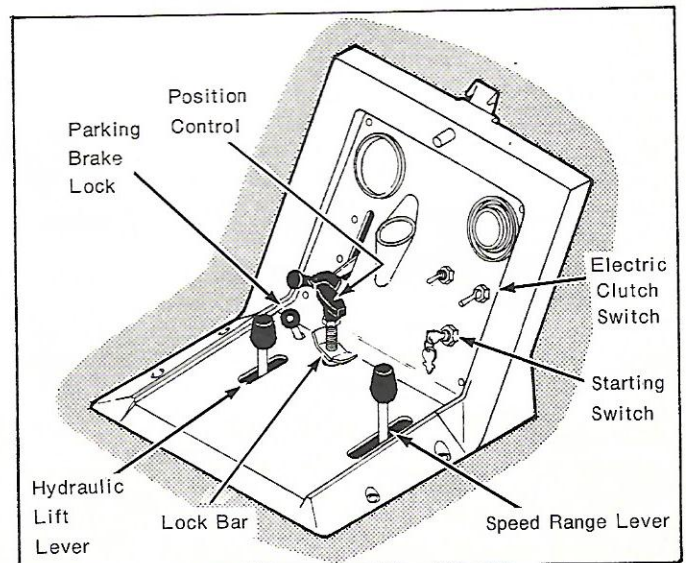


Figure 3