



## TECHNICAL GUIDE

### LX SERIES

### SPLIT SYSTEM AIR CONDITIONERS

14 SEER – R-410A – 1 PHASE

1.5 THRU 5 NOMINAL TONS

MODELS: YCE18 THRU 60

FOR INSTALLATION ONLY IN US SOUTHEAST  
AND NORTHERN REGIONS AND CANADA



■ Installation Allowed



Due to continuous product improvement, specifications are subject to change without notice.

Visit us on the web at

[www.upgnet.com](http://www.upgnet.com) and [www.york.com](http://www.york.com)

Additional rating information can be found at

[www.ahridirectory.org](http://www.ahridirectory.org)

#### WARRANTY SUMMARY\*

Standard 5-Years limited parts warranty.

Standard 10-Years limited compressor warranty.

**Extended 10-Years limited parts warranty** when product is registered online within 90 days of purchase for replacement or closing for new home construction.

\*Does not apply to R-22 models, 3-Phase models, or Internet sales.

See Limited Warranty certificate in User's Information Manual for details.

## DESCRIPTION

The YCE models are the newest addition to our successful LX Series split system air conditioner lineup. Optimized for the new 14 SEER Regional Minimum Efficiency in the Southeast US, these outdoor units are specifically designed to be matched with York indoor coils, furnaces, and air handlers to provide a complete system solution.

## FEATURES

- **Small Footprint** - Minimum footprint for easier handling, transportation, and installation.
- **Easier Installation** - Independent panels provide quick access for unit setup. Installation time is reduced by easy power and control wiring access. Select indoor matches with factory-mounted TXVs are available for quicker system installation. The factory installed filter-drier and factory charge for a 15-Ft lineset means less time spent brazing and charging the system. The small base dimension and reduced unit clearances make for easier retrofits.
- **Accessible Information** - QR code on unit provides quick access to technical documents and warranty information.
- **Durable Finish** - The coated steel wire fan guard, coated external fasteners, and pre-treated G90-equivalent galvanized steel chassis components resist corrosion and rust creep. Champagne colored powdercoat paint further protects external panels.
- **Quality Coils** - The high efficiency microchannel aluminum coil is manufactured using an improved material system providing reliable performance and small unit size.
- **Rugged Coil Protection** - Coils are protected from mechanical damage by a proven stamped steel coil guard design.
- **Protected Compressor** - Compressors are protected internally by a high pressure relief valve and a temperature sensor, and externally by the system high pressure switch. The liquid line filter-drier is factory installed to protect the compressor against moisture and debris.
- **Reliable Operation** - Ball bearing fan motors provide superior performance in extreme temperatures.
- **Environmentally Friendly** - CFC-free R-410A refrigerant delivers environmentally friendly performance with zero ozone depletion.
- **Top Discharge** - Warm air is blown up, away from the structure and any landscaping and allows compact location on multi-unit applications.
- **Low Operating Sound Levels** - Developed using CFD and FEA tools, the sturdy cabinet and top design provides sound performance of 76 dBA or lower. Compatible accessories for further sound reduction are also available.
- **Better Service Access** - Diagonal base valves with open access for low-loss fittings, single panel access to the electrical controls, swing out control box for full corner access, and removable fan guard allow easy access for unit maintenance.
- **Agency Listed** - Safety certified by CSA to UL 1995 / CSA 22.2. Performance certified to ANSI/AHRI Standard 210/240 in accordance with the Unitary Small Equipment certification program.

**LIST OF SECTIONS**

**DESCRIPTION** ..... 1  
**FEATURES** ..... 1  
**NOMENCLATURE** ..... 2  
**PHYSICAL AND ELECTRICAL DATA** ..... 3  
**DIMENSIONS** ..... 3  
**SYSTEM CHARGE FOR VARIOUS MATCHED SYSTEMS** ..... 4  
**COOLING CAPACITY - With Air Handler Coils** ..... 5  
**COOLING CAPACITY - Upflow, Downflow & Horizontal Furnaces and Coils (Coil Only Ratings)** ..... 9  
**COOLING CAPACITY - With High Efficiency Motor Furnaces** .. 11  
**ACCESSORIES** ..... 41  
**SOUND POWER RATINGS** ..... 41  
**MECHANICAL SPECIFICATIONS** ..... 42  
**TYPICAL INSTALLATION** ..... 43  
**TYPICAL FIELD WIRING** ..... 44  
**ALTERNATIVE INSTALLATION CLEARANCES** ..... 44  
**PERFORMANCE DATA - 1.5 TON** ..... 45  
**PERFORMANCE DATA - 2 TON** ..... 48  
**PERFORMANCE DATA - 2.5 TON** ..... 52  
**PERFORMANCE DATA - 3 TON** ..... 56  
**PERFORMANCE DATA - 3.5 TON** ..... 60  
**PERFORMANCE DATA - 4 TON** ..... 65  
**PERFORMANCE DATA - 5 TON** ..... 69

**NOMENCLATURE**

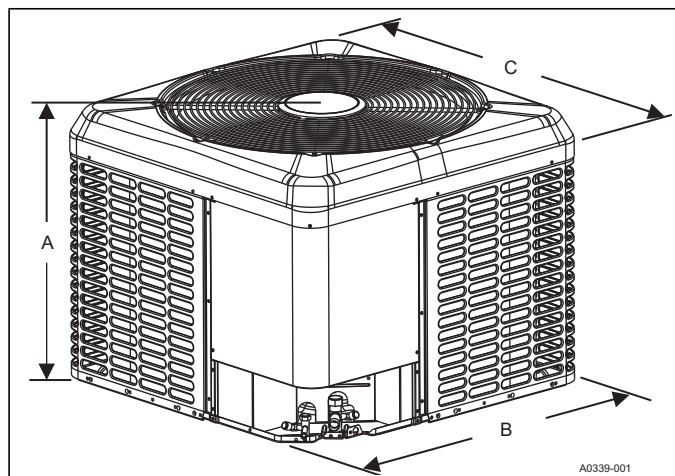
|                                                            |           |                                                                                                                                                               |
|------------------------------------------------------------|-----------|---------------------------------------------------------------------------------------------------------------------------------------------------------------|
| <b>BRAND</b>                                               | <b>Y</b>  | <b>Y = York</b>                                                                                                                                               |
| <b>PRODUCT TYPE</b>                                        | <b>C</b>  | <b>C = Air Conditioner</b><br><b>H = Heat Pump</b><br><b>F = Fin &amp; Tube Air Conditioner</b>                                                               |
| <b>NOMINAL SERIES EFFICIENCY AND STAGING</b>               | <b>E</b>  | <b>D = 13 SEER / 1-Stage (US Northern Region)</b><br><b>E = 14 SEER / 1-Stage (US Southeast Region)</b><br><b>S = 14 SEER / 1-Stage (US Southwest Region)</b> |
| <b>NOMINAL UNIT CAPACITY (MBH)</b>                         | <b>36</b> | <b>18 = 1.5 Ton</b> <b>42 = 3.5 Ton</b><br><b>24 = 2 Ton</b> <b>48 = 4 Ton</b><br><b>30 = 2.5 Ton</b> <b>60 = 5 Ton</b><br><b>36 = 3 Ton</b>                  |
| <b>REFRIGERANT</b>                                         | <b>B</b>  | <b>B = R-410A</b>                                                                                                                                             |
| <b>VOLTAGE (Voltage-Phase-Hertz)</b>                       | <b>2</b>  | <b>2 = 208/230-1-60</b>                                                                                                                                       |
| <b>GENERATION (MAJOR REVISION)</b>                         | <b>1</b>  | <b>1 = 1st Gen</b><br><b>2 = 2nd Gen</b><br><b>etc</b>                                                                                                        |
| <b>FACTORY OPTION</b>                                      | <b>S</b>  | <b>S = Standard (No Options)</b><br><b>H = Hard Start Kit</b>                                                                                                 |
| <b>STYLE LETTER (MINOR REVISION) NOT USED FOR ORDERING</b> | <b>A</b>  | <b>A = Style A</b><br><b>B = Style B</b><br><b>etc</b>                                                                                                        |

## PHYSICAL AND ELECTRICAL DATA

| MODEL                                            | YCE18B21H                 | YCE24B21H | YCE30B21H | YCE36B21H | YCE42B21H | YCE48B21S | YCE60B21S          |
|--------------------------------------------------|---------------------------|-----------|-----------|-----------|-----------|-----------|--------------------|
| Unit Supply Voltage                              | 208-230V, 1 $\phi$ , 60Hz |           |           |           |           |           |                    |
| Normal Voltage Range <sup>1</sup>                | 187 to 252                |           |           |           |           |           |                    |
| Minimum Circuit Ampacity                         | 10.2                      | 11.6      | 14.2      | 18.9      | 21.5      | 25.7      | 31.7               |
| Max. Overcurrent Device Amps <sup>2</sup>        | 15                        | 20        | 20        | 30        | 35        | 45        | 50                 |
| Min. Overcurrent Device Amps <sup>3</sup>        | 15                        | 15        | 15        | 20        | 25        | 30        | 35                 |
| Compressor Type                                  | Recip                     | Recip     | Recip     | Recip     | Recip     | Scroll    | Scroll             |
| Compressor<br>Amps                               | Rated Load                | 7.7       | 8.6       | 10.7      | 14.1      | 16.2      | 24.3               |
|                                                  | Locked Rotor              | 45.0      | 45.0      | 57.0      | 78.0      | 88.0      | 144.2              |
| Crankcase Heater                                 | No                        | No        | No        | No        | No        | No        | No                 |
| Factory External Discharge Muffler               | No                        | No        | No        | No        | Yes       | No        | No                 |
| HS Kit Required with TXV <sup>4</sup>            | Yes*                      | Yes*      | Yes*      | Yes*      | Yes*      | No        | No                 |
| Fan Diameter Inches                              | 18                        | 22        | 22        | 22        | 24        | 24        | 26                 |
| Fan Motor                                        | Rated HP                  | 1/12      | 1/8       | 1/8       | 1/4       | 1/4       | 1/4                |
|                                                  | Rated Load Amps           | 0.64      | 0.80      | 0.80      | 1.30      | 1.30      | 1.30               |
|                                                  | Nominal RPM               | 1000      | 1075      | 1075      | 850       | 850       | 850                |
|                                                  | Nominal CFM               | 1900      | 2875      | 2950      | 3275      | 3500      | 4300               |
| Coil                                             | Face Area Sq. Ft.         | 12.37     | 13.83     | 13.83     | 17.37     | 18.74     | 23.40              |
|                                                  | Rows Deep                 | 1         | 1         | 1         | 1         | 1         | 1                  |
|                                                  | Fins / Inch               | 23        | 23        | 23        | 23        | 23        | 23                 |
| Liquid Line Set OD (Field Installed)             | 3/8                       | 3/8       | 3/8       | 3/8       | 3/8       | 3/8       | 3/8                |
| Vapor Line Set OD (Field Installed) <sup>5</sup> | 3/4                       | 3/4       | 3/4       | 3/4       | 7/8       | 7/8       | 1-1/8 <sup>‡</sup> |
| Unit Charge (Lbs. - Oz.) <sup>6</sup>            | 3 - 14                    | 3 - 12    | 4 - 3     | 4 - 14    | 5 - 2     | 4 - 15    | 5 - 12             |
| Charge Per Foot, Oz.                             | 0.62                      | 0.62      | 0.62      | 0.62      | 0.67      | 0.67      | 0.75               |
| Operating Weight Lbs.                            | 140                       | 155       | 155       | 180       | 215       | 200       | 205                |

\* Models with "H" on the end of the model number are shipped with a Hard Start Kit installed at the factory.

1. Rated in accordance with AHRI Standard 110-2012, utilization range "A".
2. Dual element fuses or HACR circuit breaker. Maximum allowable overcurrent protection.
3. Dual element fuses or HACR circuit breaker. Minimum recommended overcurrent protection.
4. See Hard Start Kit Accessory Installation Manual for Hard Start Kit part number for each model.
5. For applications with non-standard vapor line sizes, see the "Applications & Accessories" section of this Technical Guide.
6. The Unit Charge is correct for the outdoor unit, smallest matched indoor unit, and 15 feet of refrigerant tubing. For tubing lengths other than 15 feet, add or subtract the amount of refrigerant, using the difference in actual lineset length (not the equivalent length) multiplied by the per foot value.



## DIMENSIONS

| Unit Model | Dimensions (Inches) |        |        | Refrigerant Connection Service Valve Size |                  |
|------------|---------------------|--------|--------|-------------------------------------------|------------------|
|            | A                   | B      | C      | Liquid                                    | Vapor            |
| YCE18B21H  | 33-1/4              | 24     | 24     | 3/8                                       | 3/4              |
| YCE24B21H  | 30                  | 29-1/4 | 29-1/4 |                                           |                  |
| YCE30B21H  | 30                  | 29-1/4 | 29-1/4 |                                           |                  |
| YCE36B21H  | 36-1/4              | 29-1/4 | 29-1/4 |                                           | 7/8              |
| YCE42B21H  | 33-1/4              | 35-1/4 | 31-3/4 |                                           |                  |
| YCE48B21S  | 33-1/4              | 35-1/4 | 31-3/4 |                                           | 7/8 <sup>‡</sup> |
| YCE60B21S  | 36-1/4              | 38     | 34-1/4 |                                           |                  |

<sup>‡</sup> Adapter fitting must be field installed for the required 1-1/8" line set.  
 All dimensions are in inches and are subject to change without notice.  
 Overall height is from bottom of base pan to top of fan guard.  
 Overall length and width include screw heads.

**SYSTEM CHARGE FOR VARIOUS MATCHED SYSTEMS**

| Outdoor Unit                        | YCE18B21H                    | YCE24B21H | YCE30B21H | YCE36B21H | YCE42B21H | YCE48B21S | YCE60B21S |
|-------------------------------------|------------------------------|-----------|-----------|-----------|-----------|-----------|-----------|
| Required TXV <sup>1,2</sup>         | BA1                          | BA1       | BB1       | BC1       | BC1       | BC1       | BD1       |
| <b>Indoor Unit <sup>3,4,5</sup></b> | <b>Additional Charge, oz</b> |           |           |           |           |           |           |
| AP18B                               | 0                            | –         | –         | –         | –         | –         | –         |
| AP24B                               | 3                            | 0         | –         | –         | –         | –         | –         |
| AP30B                               | 10                           | 7         | 2         | –         | –         | –         | –         |
| AP36B                               | 10                           | 7         | 2         | 0         | –         | –         | –         |
| AP36C                               | –                            | 11        | 2         | 2         | –         | –         | –         |
| AP42C                               | –                            | 11        | 2         | 2         | 0         | –         | –         |
| AP48(C,D)                           | –                            | –         | –         | 5         | 2         | 0         | –         |
| AP60(C,D)                           | –                            | –         | –         | –         | 9         | 2         | 0         |
| AE18B                               | 0                            | –         | –         | –         | –         | –         | –         |
| AE24B                               | 3                            | 0         | –         | –         | –         | –         | –         |
| AE30B                               | 8                            | 5         | 0         | –         | –         | –         | –         |
| AE36(B,C)                           | 10                           | 7         | 2         | 0         | –         | –         | –         |
| AE42C                               | –                            | –         | –         | 5         | 2         | –         | –         |
| AE48(C,D)                           | –                            | –         | –         | 5         | 2         | 0         | –         |
| AE60C                               | –                            | –         | –         | –         | 9         | 2         | 0         |
| AE60D                               | –                            | –         | –         | –         | 29        | 22        | 20        |
| AVC18B                              | 0                            | –         | –         | –         | –         | –         | –         |
| AVC24B                              | 3                            | 0         | –         | –         | –         | –         | –         |
| AVC30B                              | 8                            | 5         | 0         | –         | –         | –         | –         |
| AVC36(B,C)                          | 10                           | 7         | 2         | 0         | –         | –         | –         |
| AVC42C                              | –                            | –         | –         | 5         | 2         | –         | –         |
| AVC48(C,D)                          | –                            | –         | –         | 5         | 2         | 0         | –         |
| AVC60C                              | –                            | –         | –         | –         | 9         | 2         | 0         |
| AVC60D                              | –                            | –         | –         | –         | 29        | 22        | 20        |
| CF/CM/CU18(A,B)                     | 0                            | –         | –         | –         | –         | –         | –         |
| CF/CM/CU24(A,B)                     | 3                            | 0         | –         | –         | –         | –         | –         |
| CF/CM/CU30(A,B,C)                   | 8                            | 5         | 0         | –         | –         | –         | –         |
| CF/CM/CU36(A,B,C)                   | 10                           | 7         | 2         | 0         | –         | –         | –         |
| CF/CM/CU42(B,C,D)                   | –                            | 11        | 2         | 2         | 0         | –         | –         |
| CF/CM/CU48(C,D)                     | –                            | –         | –         | 5         | 2         | 0         | –         |
| CF/CM/CU60(C,D)                     | –                            | –         | –         | –         | 9         | 2         | 0         |
| CF/CM64D                            | –                            | –         | –         | –         | 29        | 22        | 20        |

Some of the combinations shown in the above System Charge table require Advanced Main Air Circulating Fan indoor product. For approved coil only matches, please see the "COOLING CAPACITY - Upflow, Downflow & Horizontal Furnaces and Coils" table.

**FOOTNOTES:**

1. For applications requiring a TXV, use S1-1TVM\*\*\* series kit.
2. A TXV kit must be used with these indoor units to obtain system performance.
3. Systems matched with furnaces or air handlers not equipped with blower-off delays may require blower Time Delay Kit S1-2FD06700224.
4. CF coils cannot be used in horizontal applications.
5. Charge adders shown above do not indicate that coils are rated for every application. Refer to Performance Data Tables for actual performance for specified system matches. Obtain certified system ratings from [www.ahridirectory.org](http://www.ahridirectory.org).

**CHARGING PROCEDURES:**

1. Check the Factory Unit Charge listed on the unit nameplate to verify the refrigerant charge for the outdoor unit, the smallest matched indoor unit, and the 15 feet of interconnecting lineset.
2. Verify the indoor metering device and additional charge required for the specific matched indoor unit in the system using the above table.
3. Add additional charge for the amount of interconnecting lineset greater than 15 feet at the rate specified in the Physical and Electrical Table.
4. For installations requiring additional charge, weigh in refrigerant for the specific matching indoor unit and actual lineset length.
5. Once the charge adders for matched indoor unit and for lineset have been weighed in, verify the system operation against the temperatures and pressures in the Charging Chart for the outdoor unit. Locate Charging Charts on the outdoor unit and also in the Service Data Application Guide on [www.upgnet.com](http://www.upgnet.com). Follow the Subcool or the Superheat charging procedure in the Installation Manual according to the type of indoor metering device in the system, and allow ten minutes after each charge adjustment for the system operation to stabilize. Record the charge adjustment made to match the Charging Chart.
6. Permanently stamp the unit data plate with the TOTAL SYSTEM CHARGE defined as follows: TOTAL SYSTEM CHARGE = Base Charge (as shipped) + charge adder for matched indoor unit + charge adder for actual lineset length + charge adjustments to match the Charging Chart.

**COOLING CAPACITY - With Air Handler Coils**

| UNIT<br>MODEL | AIR HANDLER |       | COIL<br>MODEL <sup>1</sup> | COOLING      |         |       |       |       |
|---------------|-------------|-------|----------------------------|--------------|---------|-------|-------|-------|
|               | MODEL       | WIDTH |                            | RATED<br>CFM | NET MBH |       | SEER  | EER   |
|               |             |       |                            |              | TOTAL   | SENS. |       |       |
| YCE18B21H     | AE18BX21    | 17.5  | –                          | 600          | 18.0    | 12.7  | 15.75 | 12.75 |
| YCE18B21H     | AE24BX21    | 17.5  | –                          | 600          | 18.0    | 12.7  | 15.75 | 12.75 |
| YCE18B21H     | AE30BX21    | 17.5  | –                          | 600          | 18.0    | 12.9  | 16.00 | 13.00 |
| YCE18B21H     | AE36BX21    | 17.5  | –                          | 600          | 18.0    | 12.4  | 14.75 | 12.25 |
| YCE18B21H     | AE36CX21    | 21.0  | –                          | 600          | 18.0    | 12.3  | 15.00 | 12.50 |
| YCE18B21H     | AP18BX21    | 17.5  | –                          | 600          | 18.0    | 12.6  | 14.25 | 12.00 |
| YCE18B21H     | AP24BX21    | 17.5  | –                          | 600          | 18.0    | 12.6  | 14.00 | 11.75 |
| YCE18B21H     | AP30BX21    | 17.5  | –                          | 600          | 18.0    | 12.5  | 14.25 | 12.00 |
| YCE18B21H     | AVC18BX21   | 17.5  | –                          | 600          | 18.0    | 12.7  | 15.75 | 12.75 |
| YCE18B21H     | AVC24BX21   | 17.5  | –                          | 600          | 18.0    | 12.7  | 16.00 | 13.25 |
| YCE18B21H     | AVC30BX21   | 17.5  | –                          | 600          | 18.0    | 12.7  | 16.00 | 13.00 |
| YCE18B21H     | ME08BN21    | 17.5  | CF/CM18B                   | 600          | 18.0    | 12.7  | 16.00 | 13.00 |
| YCE18B21H     | ME08BN21    | 17.5  | CF/CM24B                   | 600          | 18.0    | 12.7  | 16.00 | 13.25 |
| YCE18B21H     | ME08BN21    | 17.5  | CF/CM30B                   | 600          | 18.0    | 12.7  | 16.00 | 13.25 |
| YCE18B21H     | ME08BN21    | 17.5  | CF/CM36B                   | 600          | 18.0    | 12.6  | 16.00 | 13.00 |
| YCE18B21H     | ME12BN21    | 17.5  | CF/CM18B                   | 600          | 18.0    | 12.6  | 14.50 | 12.25 |
| YCE18B21H     | ME12BN21    | 17.5  | CF/CM24B                   | 625          | 18.0    | 12.8  | 14.75 | 12.25 |
| YCE18B21H     | ME12BN21    | 17.5  | CF/CM30B                   | 625          | 18.0    | 12.9  | 15.00 | 12.25 |
| YCE18B21H     | ME12BN21    | 17.5  | CF/CM36B                   | 650          | 18.0    | 12.9  | 15.25 | 12.75 |
| YCE18B21H     | MVC08BN21   | 17.5  | CF/CM18B                   | 550          | 18.0    | 12.4  | 15.75 | 12.75 |
| YCE18B21H     | MVC08BN21   | 17.5  | CF/CM24B                   | 575          | 18.0    | 12.5  | 16.00 | 13.00 |
| YCE18B21H     | MVC08BN21   | 17.5  | CF/CM30B                   | 600          | 18.0    | 12.7  | 16.00 | 13.00 |
| YCE18B21H     | MVC12BN21   | 17.5  | CF/CM36B                   | 675          | 18.0    | 13.1  | 16.00 | 13.00 |
| YCE24B21H     | AE24BX21    | 17.5  | –                          | 800          | 23.8    | 16.8  | 15.75 | 12.75 |
| YCE24B21H     | AE30BX21    | 17.5  | –                          | 800          | 24.0    | 16.8  | 16.00 | 13.00 |
| YCE24B21H     | AE36BX21    | 17.5  | –                          | 800          | 24.0    | 16.8  | 16.00 | 13.00 |
| YCE24B21H     | AE36CX21    | 21.0  | –                          | 800          | 24.0    | 17.0  | 16.00 | 13.00 |
| YCE24B21H     | AP24BX21    | 17.5  | –                          | 800          | 23.2    | 16.4  | 14.00 | 11.50 |
| YCE24B21H     | AP30BX21    | 17.5  | –                          | 800          | 24.0    | 16.6  | 14.00 | 12.00 |
| YCE24B21H     | AP36BX21    | 17.5  | –                          | 900          | 24.0    | 17.6  | 14.00 | 11.75 |
| YCE24B21H     | AP36CX21    | 21.0  | –                          | 850          | 24.0    | 17.0  | 14.25 | 12.00 |
| YCE24B21H     | AVC24BX21   | 17.5  | –                          | 750          | 23.4    | 16.2  | 15.50 | 12.75 |
| YCE24B21H     | AVC30BX21   | 17.5  | –                          | 775          | 24.0    | 16.6  | 16.00 | 13.00 |
| YCE24B21H     | AVC36BX21   | 17.5  | –                          | 800          | 24.0    | 16.8  | 16.00 | 13.00 |
| YCE24B21H     | AVC36CX21   | 21.0  | –                          | 800          | 24.0    | 16.8  | 16.00 | 13.00 |
| YCE24B21H     | ME08BN21    | 17.5  | CF/CM24B                   | 800          | 23.8    | 16.8  | 16.00 | 13.00 |
| YCE24B21H     | ME08BN21    | 17.5  | CF/CM30B                   | 800          | 24.0    | 16.8  | 16.00 | 13.00 |
| YCE24B21H     | ME08BN21    | 17.5  | CF/CM36B                   | 800          | 24.0    | 16.6  | 16.00 | 13.00 |
| YCE24B21H     | ME08BN21    | 17.5  | CF42B                      | 800          | 24.0    | 16.8  | 15.75 | 12.75 |
| YCE24B21H     | ME12BN21    | 17.5  | CF/CM24B                   | 800          | 23.8    | 16.8  | 15.75 | 12.75 |
| YCE24B21H     | ME12BN21    | 17.5  | CF/CM30B                   | 800          | 24.0    | 16.8  | 15.75 | 12.75 |
| YCE24B21H     | ME12BN21    | 17.5  | CF/CM36B                   | 800          | 24.0    | 16.8  | 16.00 | 13.00 |
| YCE24B21H     | ME12BN21    | 17.5  | CF42B                      | 800          | 24.0    | 16.6  | 16.00 | 13.00 |
| YCE24B21H     | ME14DN21    | 24.5  | CF/CM30D                   | 800          | 24.0    | 16.6  | 15.50 | 12.75 |
| YCE24B21H     | ME14DN21    | 24.5  | CF/CM36D                   | 800          | 24.0    | 16.8  | 15.75 | 12.75 |
| YCE24B21H     | ME14DN21    | 24.5  | CF/CM42D                   | 800          | 24.0    | 16.8  | 15.75 | 12.75 |
| YCE24B21H     | ME16CN21    | 21.0  | CF/CM24C                   | 875          | 23.8    | 17.4  | 14.50 | 12.00 |
| YCE24B21H     | MVC08BN21   | 17.5  | CF/CM24B                   | 800          | 23.8    | 16.8  | 15.75 | 12.75 |
| YCE24B21H     | MVC08BN21   | 17.5  | CF/CM30B                   | 700          | 23.6    | 15.8  | 16.00 | 13.00 |

For Notes See Page 9.

**COOLING CAPACITY - With Air Handler Coils (Continued)**

| UNIT<br>MODEL | AIR HANDLER |       | COIL<br>MODEL <sup>1</sup> | COOLING      |         |       |       |       |
|---------------|-------------|-------|----------------------------|--------------|---------|-------|-------|-------|
|               | MODEL       | WIDTH |                            | RATED<br>CFM | NET MBH |       | SEER  | EER   |
|               |             |       |                            |              | TOTAL   | SENS. |       |       |
| YCE24B21H     | MVC08BN21   | 17.5  | CF/CM36B                   | 775          | 24.0    | 16.6  | 16.00 | 13.00 |
| YCE24B21H     | MVC08BN21   | 17.5  | CF42B                      | 800          | 24.0    | 16.6  | 16.00 | 13.00 |
| YCE24B21H     | MVC12BN21   | 17.5  | CF/CM24B                   | 800          | 23.8    | 16.8  | 15.75 | 12.75 |
| YCE24B21H     | MVC12BN21   | 17.5  | CF/CM30B                   | 850          | 24.0    | 17.2  | 16.00 | 13.00 |
| YCE24B21H     | MVC12BN21   | 17.5  | CF/CM36B                   | 775          | 24.0    | 16.6  | 16.00 | 13.00 |
| YCE24B21H     | MVC12BN21   | 17.5  | CF42B                      | 800          | 24.0    | 16.6  | 16.00 | 13.00 |
| YCE24B21H     | MVC14DN21   | 24.5  | CF/CM30D                   | 800          | 24.0    | 16.6  | 16.00 | 13.00 |
| YCE24B21H     | MVC14DN21   | 24.5  | CF/CM36D                   | 850          | 24.0    | 17.2  | 16.00 | 13.00 |
| YCE24B21H     | MVC14DN21   | 24.5  | CF/CM42D                   | 825          | 24.0    | 17.0  | 16.00 | 13.00 |
| YCE24B21H     | MVC16CN21   | 21.0  | CF/CM42C                   | 900          | 24.0    | 17.6  | 16.00 | 13.00 |
| YCE30B21H     | AE30BX21    | 17.5  | –                          | 1000         | 30.0    | 21.6  | 15.00 | 12.50 |
| YCE30B21H     | AE36BX21    | 17.5  | –                          | 975          | 30.0    | 21.4  | 15.25 | 12.50 |
| YCE30B21H     | AE36CX21    | 21.0  | –                          | 1000         | 30.0    | 21.2  | 15.75 | 12.75 |
| YCE30B21H     | AP30BX21    | 17.5  | –                          | 1000         | 29.8    | 21.2  | 14.25 | 11.75 |
| YCE30B21H     | AP36BX21    | 17.5  | –                          | 1000         | 30.0    | 21.2  | 14.00 | 11.75 |
| YCE30B21H     | AP36CX21    | 21.0  | –                          | 1000         | 30.0    | 21.4  | 14.00 | 11.75 |
| YCE30B21H     | AP42CX21    | 21.0  | –                          | 1100         | 30.0    | 22.2  | 14.00 | 11.75 |
| YCE30B21H     | AVC30BX21   | 17.5  | –                          | 975          | 30.0    | 21.4  | 15.00 | 12.25 |
| YCE30B21H     | AVC36BX21   | 17.5  | –                          | 975          | 30.0    | 21.6  | 15.75 | 12.75 |
| YCE30B21H     | AVC36CX21   | 21.0  | –                          | 975          | 30.0    | 21.6  | 16.00 | 13.00 |
| YCE30B21H     | ME08BN21    | 17.5  | CF/CM30B                   | 900          | 30.0    | 21.0  | 15.25 | 12.50 |
| YCE30B21H     | ME08BN21    | 17.5  | CF/CM36B                   | 900          | 29.6    | 20.2  | 15.50 | 12.75 |
| YCE30B21H     | ME08BN21    | 17.5  | CF42B                      | 875          | 29.6    | 20.4  | 15.25 | 12.75 |
| YCE30B21H     | ME12BN21    | 17.5  | CF/CM30B                   | 825          | 29.6    | 19.6  | 15.25 | 12.50 |
| YCE30B21H     | ME12BN21    | 17.5  | CF/CM36B                   | 1025         | 29.6    | 21.4  | 15.50 | 12.75 |
| YCE30B21H     | ME12BN21    | 17.5  | CF42B                      | 975          | 29.8    | 21.2  | 15.25 | 12.50 |
| YCE30B21H     | ME14DN21    | 24.5  | CF/CM30D                   | 1050         | 30.0    | 22.0  | 15.75 | 12.75 |
| YCE30B21H     | ME14DN21    | 24.5  | CF/CM36D                   | 1025         | 30.0    | 21.6  | 15.75 | 12.75 |
| YCE30B21H     | ME14DN21    | 24.5  | CF/CM42D                   | 1000         | 30.0    | 21.2  | 15.75 | 12.75 |
| YCE30B21H     | ME16CN21    | 21.0  | CF/CM30C                   | 1075         | 30.0    | 21.8  | 15.00 | 12.50 |
| YCE30B21H     | ME16CN21    | 21.0  | CF/CM36C                   | 1100         | 30.0    | 22.4  | 15.25 | 12.50 |
| YCE30B21H     | ME16CN21    | 21.0  | CF/CM42C                   | 1000         | 30.0    | 21.2  | 14.75 | 12.25 |
| YCE30B21H     | MVC08BN21   | 17.5  | CF42B                      | 825          | 30.0    | 20.0  | 15.00 | 12.50 |
| YCE30B21H     | MVC12BN21   | 17.5  | CF/CM30B                   | 850          | 29.6    | 19.8  | 15.00 | 12.50 |
| YCE30B21H     | MVC12BN21   | 17.5  | CF/CM36B                   | 1000         | 30.0    | 21.2  | 15.00 | 12.50 |
| YCE30B21H     | MVC12BN21   | 17.5  | CF42B                      | 975          | 30.0    | 21.2  | 15.25 | 12.50 |
| YCE30B21H     | MVC14DN21   | 24.5  | CF/CM30D                   | 925          | 30.0    | 21.0  | 15.75 | 12.75 |
| YCE30B21H     | MVC14DN21   | 24.5  | CF/CM36D                   | 975          | 30.0    | 21.0  | 15.75 | 12.75 |
| YCE30B21H     | MVC14DN21   | 24.5  | CF/CM42D                   | 1000         | 30.0    | 21.2  | 16.00 | 13.25 |
| YCE30B21H     | MVC16CN21   | 21.0  | CF/CM30C                   | 925          | 30.0    | 21.0  | 15.75 | 12.75 |
| YCE30B21H     | MVC16CN21   | 21.0  | CF/CM36C                   | 1025         | 30.0    | 21.6  | 15.75 | 12.75 |
| YCE30B21H     | MVC16CN21   | 21.0  | CF/CM42C                   | 900          | 30.0    | 20.6  | 15.75 | 12.75 |
| YCE30B21H     | MVC20DN21   | 24.5  | CF/CM36D                   | 1120         | 30.0    | 22.4  | 15.75 | 12.75 |
| YCE30B21H     | MVC20DN21   | 24.5  | CF/CM42D                   | 1100         | 30.0    | 22.4  | 15.50 | 12.75 |
| YCE36B21H     | AE36BX21    | 17.5  | –                          | 1000         | 34.4    | 23.0  | 14.75 | 12.25 |
| YCE36B21H     | AE36CX21    | 21.0  | –                          | 1225         | 35.8    | 25.6  | 15.25 | 12.75 |
| YCE36B21H     | AE42CX21    | 21.0  | –                          | 1200         | 35.8    | 25.6  | 15.25 | 12.50 |
| YCE36B21H     | AE48CX21    | 21.0  | –                          | 1250         | 36.0    | 26.0  | 15.50 | 12.75 |
| YCE36B21H     | AE48DX21    | 24.5  | –                          | 1225         | 36.0    | 25.8  | 15.50 | 12.75 |

For Notes See Page 9.

**COOLING CAPACITY - With Air Handler Coils (Continued)**

| UNIT<br>MODEL | AIR HANDLER |       | COIL<br>MODEL <sup>1</sup> | COOLING      |         |       |       |       |
|---------------|-------------|-------|----------------------------|--------------|---------|-------|-------|-------|
|               | MODEL       | WIDTH |                            | RATED<br>CFM | NET MBH |       | SEER  | EER   |
|               |             |       |                            |              | TOTAL   | SENS. |       |       |
| YCE36B21H     | AP36BX21    | 17.5  | –                          | 1000         | 34.0    | 22.6  | 14.00 | 11.75 |
| YCE36B21H     | AP36CX21    | 21.0  | –                          | 1225         | 35.0    | 25.2  | 14.00 | 11.75 |
| YCE36B21H     | AP42CX21    | 21.0  | –                          | 1225         | 35.0    | 25.2  | 14.00 | 11.50 |
| YCE36B21H     | AP48CX21    | 21.0  | –                          | 1200         | 35.2    | 24.8  | 14.00 | 11.75 |
| YCE36B21H     | AP48DX21    | 24.5  | –                          | 1325         | 35.6    | 26.2  | 14.00 | 11.75 |
| YCE36B21H     | AVC36BX21   | 17.5  | –                          | 1025         | 34.6    | 23.4  | 14.75 | 12.25 |
| YCE36B21H     | AVC36CX21   | 21.0  | –                          | 1125         | 35.4    | 25.0  | 15.25 | 12.75 |
| YCE36B21H     | AVC42CX21   | 21.0  | –                          | 1100         | 35.6    | 25.0  | 15.50 | 12.75 |
| YCE36B21H     | AVC48CX21   | 21.0  | –                          | 1075         | 35.2    | 24.2  | 15.50 | 12.75 |
| YCE36B21H     | AVC48DX21   | 24.5  | –                          | 1350         | 36.0    | 27.0  | 15.75 | 12.75 |
| YCE36B21H     | ME12BN21    | 17.5  | CF/CM36B                   | 1025         | 34.6    | 23.4  | 14.75 | 12.25 |
| YCE36B21H     | ME12BN21    | 17.5  | CF42B                      | 975          | 34.6    | 23.0  | 14.75 | 12.25 |
| YCE36B21H     | ME14DN21    | 24.5  | CF/CM36D                   | 1250         | 36.0    | 26.0  | 15.50 | 12.50 |
| YCE36B21H     | ME14DN21    | 24.5  | CF/CM42D                   | 1225         | 36.0    | 26.0  | 15.50 | 12.75 |
| YCE36B21H     | ME14DN21    | 24.5  | CF/CM48D                   | 1200         | 36.0    | 25.6  | 15.50 | 12.75 |
| YCE36B21H     | ME16CN21    | 21.0  | CF/CM36C                   | 1225         | 35.8    | 25.8  | 15.50 | 12.75 |
| YCE36B21H     | ME16CN21    | 21.0  | CF/CM42C                   | 1225         | 35.8    | 26.0  | 15.50 | 12.75 |
| YCE36B21H     | ME16CN21    | 21.0  | CF/CM48C                   | 1225         | 36.0    | 25.8  | 15.50 | 12.75 |
| YCE36B21H     | ME20DN21    | 24.5  | CF/CM36D                   | 1325         | 35.6    | 26.6  | 14.50 | 12.00 |
| YCE36B21H     | ME20DN21    | 24.5  | CF/CM42D                   | 1325         | 35.8    | 26.8  | 14.50 | 12.00 |
| YCE36B21H     | ME20DN21    | 24.5  | CF/CM48D                   | 1325         | 36.0    | 26.6  | 14.75 | 12.25 |
| YCE36B21H     | MVC08BN21   | 17.5  | CF42B                      | 975          | 34.4    | 22.8  | 14.50 | 12.25 |
| YCE36B21H     | MVC12BN21   | 17.5  | CF/CM36B                   | 1025         | 34.4    | 23.2  | 14.50 | 12.25 |
| YCE36B21H     | MVC12BN21   | 17.5  | CF42B                      | 975          | 34.6    | 23.0  | 14.50 | 12.25 |
| YCE36B21H     | MVC14DN21   | 24.5  | CF/CM36D                   | 975          | 34.4    | 22.8  | 15.25 | 12.75 |
| YCE36B21H     | MVC14DN21   | 24.5  | CF/CM42D                   | 1275         | 36.0    | 26.6  | 15.50 | 12.75 |
| YCE36B21H     | MVC14DN21   | 24.5  | CF/CM48D                   | 1150         | 35.6    | 25.0  | 15.50 | 12.75 |
| YCE36B21H     | MVC16CN21   | 21.0  | CF/CM36C                   | 1100         | 35.0    | 24.2  | 15.25 | 12.75 |
| YCE36B21H     | MVC16CN21   | 21.0  | CF/CM42C                   | 1250         | 36.0    | 26.2  | 15.50 | 12.75 |
| YCE36B21H     | MVC16CN21   | 21.0  | CF/CM48C                   | 1200         | 36.0    | 25.6  | 15.50 | 12.75 |
| YCE36B21H     | MVC20DN21   | 24.5  | CF/CM36D                   | 1120         | 35.2    | 24.6  | 15.50 | 12.75 |
| YCE36B21H     | MVC20DN21   | 24.5  | CF/CM42D                   | 1200         | 35.6    | 25.6  | 15.25 | 12.50 |
| YCE36B21H     | MVC20DN21   | 24.5  | CF/CM48D                   | 1200         | 36.0    | 25.6  | 15.50 | 12.75 |
| YCE42B21H     | AE42CX21    | 21.0  | –                          | 1375         | 41.5    | 31.0  | 14.75 | 12.25 |
| YCE42B21H     | AE48CX21    | 21.0  | –                          | 1225         | 41.0    | 29.0  | 15.25 | 12.75 |
| YCE42B21H     | AE48DX21    | 24.5  | –                          | 1225         | 41.0    | 29.0  | 15.50 | 12.75 |
| YCE42B21H     | AE60CX21    | 21.0  | –                          | 1425         | 42.0    | 32.5  | 15.00 | 12.50 |
| YCE42B21H     | AE60DX21    | 24.5  | –                          | 1400         | 42.0    | 31.5  | 15.75 | 12.75 |
| YCE42B21H     | AP42CX21    | 21.0  | –                          | 1225         | 40.0    | 28.5  | 14.00 | 11.50 |
| YCE42B21H     | AP48CX21    | 21.0  | –                          | 1300         | 40.5    | 29.5  | 14.00 | 11.75 |
| YCE42B21H     | AP48DX21    | 24.5  | –                          | 1350         | 41.0    | 30.0  | 14.00 | 11.75 |
| YCE42B21H     | AP60CX21    | 21.0  | –                          | 1400         | 41.0    | 30.5  | 14.00 | 11.25 |
| YCE42B21H     | AP60DX21    | 24.5  | –                          | 1400         | 41.0    | 30.5  | 14.00 | 11.25 |
| YCE42B21H     | AVC42CX21   | 21.0  | –                          | 1275         | 41.0    | 29.5  | 14.75 | 12.25 |
| YCE42B21H     | AVC48CX21   | 21.0  | –                          | 1225         | 41.0    | 29.0  | 15.00 | 12.50 |
| YCE42B21H     | AVC48DX21   | 24.5  | –                          | 1300         | 41.5    | 30.0  | 15.50 | 12.75 |
| YCE42B21H     | AVC60CX21   | 21.0  | –                          | 1275         | 41.5    | 30.0  | 15.25 | 12.50 |
| YCE42B21H     | AVC60DX21   | 24.5  | –                          | 1200         | 41.5    | 29.5  | 15.25 | 12.75 |

For Notes See Page 9.



**COOLING CAPACITY - With Air Handler Coils (Continued)**

| UNIT<br>MODEL | AIR HANDLER |       | COIL<br>MODEL <sup>1</sup> | COOLING      |         |       |       |       |
|---------------|-------------|-------|----------------------------|--------------|---------|-------|-------|-------|
|               | MODEL       | WIDTH |                            | RATED<br>CFM | NET MBH |       | SEER  | EER   |
|               |             |       |                            |              | TOTAL   | SENS. |       |       |
| YCE42B21H     | ME14DN21    | 24.5  | CF/CM42D                   | 1400         | 41.5    | 31.0  | 15.00 | 12.50 |
| YCE42B21H     | ME14DN21    | 24.5  | CF/CM48D                   | 1400         | 41.5    | 31.0  | 15.00 | 12.50 |
| YCE42B21H     | ME14DN21    | 24.5  | CF/CM60D                   | 1225         | 41.0    | 29.5  | 15.50 | 12.75 |
| YCE42B21H     | ME14DN21    | 24.5  | CF/CM64D                   | 1375         | 42.0    | 31.5  | 15.50 | 12.75 |
| YCE42B21H     | ME16CN21    | 21.0  | CF/CM42C                   | 1400         | 41.5    | 31.0  | 14.75 | 12.25 |
| YCE42B21H     | ME16CN21    | 21.0  | CF/CM48C                   | 1225         | 41.0    | 29.0  | 15.25 | 12.75 |
| YCE42B21H     | ME16CN21    | 21.0  | CF/CM60C                   | 1225         | 41.0    | 29.5  | 15.50 | 12.75 |
| YCE42B21H     | ME20DN21    | 24.5  | CF/CM42D                   | 1450         | 42.0    | 32.0  | 15.00 | 12.50 |
| YCE42B21H     | ME20DN21    | 24.5  | CF/CM48D                   | 1475         | 42.0    | 32.0  | 15.25 | 12.75 |
| YCE42B21H     | ME20DN21    | 24.5  | CF/CM60D                   | 1425         | 42.0    | 32.0  | 15.25 | 12.75 |
| YCE42B21H     | ME20DN21    | 24.5  | CF/CM64D                   | 1400         | 42.0    | 31.5  | 15.50 | 12.75 |
| YCE42B21H     | MVC12BN21   | 17.5  | CF42B                      | 1175         | 40.0    | 27.5  | 14.00 | 11.75 |
| YCE42B21H     | MVC14DN21   | 24.5  | CF/CM42D                   | 1375         | 41.5    | 31.0  | 15.00 | 12.50 |
| YCE42B21H     | MVC14DN21   | 24.5  | CF/CM48D                   | 1325         | 41.5    | 30.5  | 15.25 | 12.75 |
| YCE42B21H     | MVC14DN21   | 24.5  | CF/CM60D                   | 1225         | 41.0    | 29.5  | 15.25 | 12.50 |
| YCE42B21H     | MVC14DN21   | 24.5  | CF/CM64D                   | 1325         | 42.0    | 31.0  | 15.50 | 12.75 |
| YCE42B21H     | MVC16CN21   | 21.0  | CF/CM42C                   | 1250         | 40.5    | 29.5  | 15.00 | 12.50 |
| YCE42B21H     | MVC16CN21   | 21.0  | CF/CM48C                   | 1275         | 41.0    | 30.0  | 15.25 | 12.50 |
| YCE42B21H     | MVC20DN21   | 24.5  | CF/CM42D                   | 1225         | 40.5    | 29.0  | 14.75 | 12.25 |
| YCE42B21H     | MVC20DN21   | 24.5  | CF/CM48D                   | 1300         | 41.5    | 30.0  | 15.25 | 12.50 |
| YCE42B21H     | MVC20DN21   | 24.5  | CF/CM60D                   | 1250         | 41.0    | 30.0  | 15.75 | 12.75 |
| YCE42B21H     | MVC20DN21   | 24.5  | CF/CM64D                   | 1250         | 42.0    | 30.0  | 15.50 | 12.75 |
| YCE48B21S     | AE48CX21    | 21.0  | –                          | 1425         | 47.0    | 33.5  | 15.75 | 12.75 |
| YCE48B21S     | AE48DX21    | 24.5  | –                          | 1425         | 47.0    | 34.0  | 15.75 | 12.75 |
| YCE48B21S     | AE60CX21    | 21.0  | –                          | 1425         | 47.5    | 34.5  | 15.75 | 12.75 |
| YCE48B21S     | AE60DX21    | 24.5  | –                          | 1400         | 48.0    | 34.5  | 16.00 | 13.00 |
| YCE48B21S     | AP48CX21    | 21.0  | –                          | 1300         | 48.0    | 33.5  | 14.00 | 11.75 |
| YCE48B21S     | AP48DX21    | 24.5  | –                          | 1600         | 47.5    | 34.0  | 14.00 | 11.75 |
| YCE48B21S     | AP60CX21    | 21.0  | –                          | 1600         | 48.0    | 36.5  | 14.00 | 12.00 |
| YCE48B21S     | AP60DX21    | 24.5  | –                          | 1600         | 48.0    | 36.0  | 14.00 | 11.75 |
| YCE48B21S     | AVC48CX21   | 21.0  | –                          | 1350         | 48.0    | 34.0  | 15.25 | 12.50 |
| YCE48B21S     | AVC48DX21   | 24.5  | –                          | 1350         | 48.0    | 34.5  | 15.75 | 12.75 |
| YCE48B21S     | AVC60CX21   | 21.0  | –                          | 1350         | 48.0    | 34.5  | 15.75 | 12.75 |
| YCE48B21S     | AVC60DX21   | 24.5  | –                          | 1475         | 48.0    | 35.0  | 15.75 | 12.75 |
| YCE48B21S     | ME14DN21    | 24.5  | CF/CM60D                   | 1425         | 48.0    | 34.5  | 15.75 | 12.75 |
| YCE48B21S     | ME14DN21    | 24.5  | CF/CM64D                   | 1375         | 48.0    | 34.0  | 16.00 | 13.00 |
| YCE48B21S     | ME16CN21    | 21.0  | CF/CM48C                   | 1475         | 48.0    | 35.5  | 15.75 | 12.75 |
| YCE48B21S     | ME16CN21    | 21.0  | CF/CM60C                   | 1450         | 48.0    | 35.0  | 15.75 | 12.75 |
| YCE48B21S     | ME20DN21    | 24.5  | CF/CM48D                   | 1475         | 48.0    | 35.5  | 15.75 | 12.75 |
| YCE48B21S     | ME20DN21    | 24.5  | CF/CM60D                   | 1400         | 48.0    | 34.5  | 15.75 | 12.75 |
| YCE48B21S     | ME20DN21    | 24.5  | CF/CM64D                   | 1425         | 48.0    | 35.0  | 16.00 | 13.00 |
| YCE48B21S     | MVC14DN21   | 24.5  | CF/CM48D                   | 1325         | 48.0    | 33.5  | 15.50 | 12.75 |
| YCE48B21S     | MVC14DN21   | 24.5  | CF/CM60D                   | 1350         | 48.0    | 33.5  | 15.75 | 12.75 |
| YCE48B21S     | MVC14DN21   | 24.5  | CF/CM64D                   | 1325         | 48.0    | 33.5  | 16.00 | 13.00 |
| YCE48B21S     | MVC16CN21   | 21.0  | CF/CM48C                   | 1425         | 48.0    | 34.5  | 15.50 | 12.75 |
| YCE48B21S     | MVC16CN21   | 21.0  | CF/CM60C                   | 1650         | 48.0    | 37.0  | 16.00 | 13.00 |
| YCE48B21S     | MVC20DN21   | 24.5  | CF/CM48D                   | 1450         | 48.0    | 35.0  | 15.50 | 12.75 |
| YCE48B21S     | MVC20DN21   | 24.5  | CF/CM60D                   | 1475         | 48.0    | 35.5  | 15.75 | 12.75 |
| YCE48B21S     | MVC20DN21   | 24.5  | CF/CM64D                   | 1375         | 48.0    | 34.0  | 16.00 | 13.00 |

For Notes See Page 9.



**COOLING CAPACITY - With Air Handler Coils (Continued)**

| UNIT MODEL | AIR HANDLER |       | COIL MODEL <sup>1</sup> | COOLING   |         |       |       |       |
|------------|-------------|-------|-------------------------|-----------|---------|-------|-------|-------|
|            | MODEL       | WIDTH |                         | RATED CFM | NET MBH |       | SEER  | EER   |
|            |             |       |                         |           | TOTAL   | SENS. |       |       |
| YCE60B21S  | AE60CX21    | 21.0  | —                       | 1625      | 56.0    | 40.0  | 14.25 | 12.00 |
| YCE60B21S  | AE60DX21    | 24.5  | —                       | 1775      | 57.5    | 42.0  | 14.25 | 12.25 |
| YCE60B21S  | AVC60CX21   | 21.0  | —                       | 1750      | 56.5    | 41.5  | 14.00 | 12.00 |
| YCE60B21S  | AVC60DX21   | 24.5  | —                       | 1650      | 57.5    | 41.0  | 14.75 | 12.25 |
| YCE60B21S  | ME16CN21    | 21.0  | CF/CM60C                | 1625      | 56.0    | 40.0  | 14.50 | 12.25 |
| YCE60B21S  | ME20DN21    | 24.5  | CF/CM60D                | 1650      | 56.5    | 40.0  | 14.50 | 12.25 |
| YCE60B21S  | ME20DN21    | 24.5  | CF/CM64D                | 1625      | 57.5    | 40.5  | 14.75 | 12.25 |
| YCE60B21S  | MVC16CN21   | 21.0  | CF/CM60C                | 1650      | 57.0    | 40.5  | 15.50 | 12.75 |
| YCE60B21S  | MVC20DN21   | 24.5  | CF/CM60D                | 1700      | 56.0    | 40.0  | 14.50 | 12.00 |
| YCE60B21S  | MVC20DN21   | 24.5  | CF/CM64D                | 1700      | 57.0    | 40.5  | 14.75 | 12.25 |

Rated in accordance with DOE test procedures (Federal Register 12-27-79 and 3-18-88) and ANSI/AHRI Standard 210/240.

Cooling MBH based on 80°F entering air temperature, 50% RH (Relative Humidity), and rated air flow.

EER (Energy Efficiency Ratio) is the total cooling output in BTUs at 95°F outdoor ambient divided by the total electric power in watt-hours at those conditions.

SEER (Seasonal Energy Efficiency Ratio) is the total cooling output in BTUs during a normal annual usage period for cooling divided by the total electric power input in watt-hours during the same period.

1. CM coils available with a factory installed horizontal drain pan. See price pages for specific model number.

— = Not applicable.

MP Modular Air Handlers use Coil Only Ratings.

**COOLING CAPACITY - Upflow, Downflow & Horizontal Furnaces and Coils (Coil Only Ratings)**

| UNIT MODEL | COIL        |       | CFM RANGE (MIN.-MAX.) | COOLING   |         |       |                   |       |
|------------|-------------|-------|-----------------------|-----------|---------|-------|-------------------|-------|
|            | MODEL       | WIDTH |                       | RATED CFM | NET MBH |       | SEER <sup>1</sup> | EER   |
|            |             |       |                       |           | TOTAL   | SENS. |                   |       |
| YCE18B21H  | CF/CM/CU18A | 14.5  | 450 - 750             | 600       | 18.0    | 12.6  | 14.00             | 11.75 |
| YCE18B21H  | CF/CM/CU18B | 17.5  | 450 - 750             | 600       | 18.0    | 12.6  | 14.00             | 11.75 |
| YCE18B21H  | CF/CM/CU24A | 14.5  | 450 - 750             | 600       | 18.0    | 12.6  | 14.00             | 11.75 |
| YCE18B21H  | CF/CM/CU24B | 17.5  | 450 - 750             | 600       | 18.0    | 12.6  | 14.00             | 11.75 |
| YCE18B21H  | CF/CM/CU24C | 21.0  | 450 - 750             | 600       | 18.0    | 12.6  | 14.00             | 11.75 |
| YCE18B21H  | CF/CM/CU30A | 14.5  | 450 - 750             | 600       | 18.0    | 12.6  | 14.00             | 11.75 |
| YCE18B21H  | CF/CM/CU30B | 17.5  | 450 - 750             | 600       | 18.0    | 12.6  | 14.00             | 11.75 |
| YCE18B21H  | CF/CM/CU30C | 21.0  | 450 - 750             | 600       | 18.0    | 12.6  | 14.00             | 11.75 |
| YCE18B21H  | CF/CM/CU30D | 24.5  | 450 - 750             | 600       | 18.0    | 12.6  | 14.00             | 11.75 |
| YCE18B21H  | CF/CM/CU36B | 17.5  | 450 - 750             | 600       | 18.0    | 12.5  | 14.25             | 12.00 |
| YCE18B21H  | CF/CM/CU36C | 21.0  | 450 - 750             | 600       | 18.0    | 12.5  | 14.25             | 12.00 |
| YCE18B21H  | CF/CM/CU36D | 24.5  | 450 - 750             | 600       | 18.0    | 12.5  | 14.25             | 12.00 |
| YCE18B21H  | CF/CM36A    | 14.5  | 450 - 750             | 600       | 18.0    | 12.5  | 14.25             | 12.00 |
| YCE24B21H  | CF/CM/CU24A | 14.5  | 600 - 1000            | 800       | 23.0    | 16.0  | 14.00             | 11.75 |
| YCE24B21H  | CF/CM/CU24B | 17.5  | 600 - 1000            | 800       | 23.2    | 16.2  | 14.00             | 11.75 |
| YCE24B21H  | CF/CM/CU24C | 21.0  | 600 - 1000            | 800       | 23.2    | 16.2  | 14.00             | 11.75 |
| YCE24B21H  | CF/CM/CU30A | 14.5  | 600 - 1000            | 800       | 23.8    | 16.4  | 14.00             | 11.75 |
| YCE24B21H  | CF/CM/CU30B | 17.5  | 600 - 1000            | 800       | 23.8    | 16.4  | 14.00             | 11.75 |
| YCE24B21H  | CF/CM/CU30C | 21.0  | 600 - 1000            | 800       | 23.8    | 16.4  | 14.00             | 11.75 |
| YCE24B21H  | CF/CM/CU30D | 24.5  | 600 - 1000            | 800       | 23.8    | 16.4  | 14.00             | 11.75 |
| YCE24B21H  | CF/CM/CU36B | 17.5  | 600 - 1000            | 800       | 24.0    | 16.6  | 14.00             | 11.75 |
| YCE24B21H  | CF/CM/CU36C | 21.0  | 600 - 1000            | 800       | 24.0    | 16.6  | 14.00             | 11.75 |
| YCE24B21H  | CF/CM/CU36D | 24.5  | 600 - 1000            | 800       | 24.0    | 16.6  | 14.00             | 11.75 |
| YCE24B21H  | CF/CM/CU42C | 21.0  | 600 - 1000            | 800       | 24.0    | 16.6  | 14.25             | 11.75 |
| YCE24B21H  | CF/CM/CU42D | 24.5  | 600 - 1000            | 800       | 24.0    | 16.6  | 14.25             | 11.75 |
| YCE24B21H  | CF/CM36A    | 14.5  | 600 - 1000            | 800       | 24.0    | 16.6  | 14.00             | 11.75 |
| YCE24B21H  | CF42B       | 17.5  | 600 - 1000            | 800       | 24.0    | 16.6  | 14.25             | 11.75 |

For Notes See Page 10.

**COOLING CAPACITY - Upflow, Downflow & Horizontal Furnaces and Coils (Coil Only Ratings) (Continued)**

| UNIT MODEL | COIL        |       | CFM RANGE<br>(MIN.-MAX.) | COOLING      |         |       |                   |       |
|------------|-------------|-------|--------------------------|--------------|---------|-------|-------------------|-------|
|            | MODEL       | WIDTH |                          | RATED<br>CFM | NET MBH |       | SEER <sup>1</sup> | EER   |
|            |             |       |                          |              | TOTAL   | SENS. |                   |       |
| YCE30B21H  | CF/CM/CU30B | 17.5  | 800 - 1200               | 1000         | 29.4    | 21.0  | 14.00             | 11.75 |
| YCE30B21H  | CF/CM/CU30C | 21.0  | 800 - 1200               | 1000         | 29.8    | 21.2  | 14.00             | 11.75 |
| YCE30B21H  | CF/CM/CU30D | 24.5  | 800 - 1200               | 1000         | 29.8    | 21.2  | 14.00             | 11.75 |
| YCE30B21H  | CF/CM/CU36B | 17.5  | 800 - 1200               | 1000         | 30.0    | 21.2  | 14.00             | 11.75 |
| YCE30B21H  | CF/CM/CU36C | 21.0  | 800 - 1200               | 1000         | 30.0    | 21.2  | 14.00             | 11.75 |
| YCE30B21H  | CF/CM/CU36D | 24.5  | 800 - 1200               | 1000         | 30.0    | 21.2  | 14.00             | 11.75 |
| YCE30B21H  | CF/CM/CU42C | 21.0  | 800 - 1200               | 1000         | 30.0    | 21.4  | 14.00             | 11.75 |
| YCE30B21H  | CF/CM/CU42D | 24.5  | 800 - 1200               | 1000         | 30.0    | 21.4  | 14.00             | 11.75 |
| YCE30B21H  | CF/CM36A    | 14.5  | 800 - 1200               | 900          | 29.8    | 20.2  | 14.00             | 11.75 |
| YCE30B21H  | CF42B       | 17.5  | 800 - 1200               | 1000         | 30.0    | 21.4  | 14.00             | 11.75 |
| YCE36B21H  | CF/CM/CU36B | 17.5  | 1000 - 1400              | 1200         | 34.6    | 24.6  | 14.00             | 11.75 |
| YCE36B21H  | CF/CM/CU36C | 21.0  | 1000 - 1400              | 1200         | 34.8    | 24.8  | 14.00             | 11.75 |
| YCE36B21H  | CF/CM/CU36D | 24.5  | 1000 - 1400              | 1200         | 34.8    | 24.8  | 14.00             | 11.75 |
| YCE36B21H  | CF/CM/CU42C | 21.0  | 1000 - 1400              | 1200         | 34.8    | 25.0  | 14.00             | 11.75 |
| YCE36B21H  | CF/CM/CU42D | 24.5  | 1000 - 1400              | 1200         | 34.8    | 25.0  | 14.00             | 11.75 |
| YCE36B21H  | CF/CM/CU48C | 21.0  | 1000 - 1400              | 1200         | 35.2    | 24.8  | 14.00             | 11.75 |
| YCE36B21H  | CF/CM/CU48D | 24.5  | 1000 - 1400              | 1200         | 35.2    | 24.8  | 14.00             | 11.75 |
| YCE36B21H  | CF42B       | 17.5  | 1000 - 1400              | 1200         | 34.8    | 25.0  | 14.00             | 11.75 |
| YCE42B21H  | CF/CM/CU42C | 21.0  | 1200 - 1600              | 1400         | 40.5    | 30.4  | 14.00             | 11.75 |
| YCE42B21H  | CF/CM/CU42D | 24.5  | 1200 - 1600              | 1400         | 41.0    | 31.0  | 14.00             | 11.75 |
| YCE42B21H  | CF/CM/CU48C | 21.0  | 1200 - 1600              | 1400         | 41.0    | 30.5  | 14.00             | 11.75 |
| YCE42B21H  | CF/CM/CU48D | 24.5  | 1200 - 1600              | 1400         | 41.0    | 30.5  | 14.00             | 11.75 |
| YCE42B21H  | CF/CM/CU60C | 21.0  | 1200 - 1600              | 1400         | 41.0    | 31.0  | 14.00             | 11.75 |
| YCE42B21H  | CF/CM/CU60D | 24.5  | 1200 - 1600              | 1400         | 41.0    | 31.0  | 14.00             | 11.75 |
| YCE42B21H  | CF/CM64D    | 24.5  | 1200 - 1600              | 1400         | 42.0    | 31.0  | 14.00             | 11.75 |
| YCE42B21H  | CF42B       | 17.5  | 1200 - 1600              | 1225         | 38.5    | 29.0  | 14.00             | 11.50 |
| YCE48B21S  | CF/CM/CU48C | 21.0  | 1400 - 1800              | 1600         | 47.5    | 34.2  | 14.00             | 11.75 |
| YCE48B21S  | CF/CM/CU48D | 24.5  | 1400 - 1800              | 1600         | 47.5    | 34.2  | 14.00             | 11.75 |
| YCE48B21S  | CF/CM/CU60C | 21.0  | 1400 - 1800              | 1600         | 48.0    | 36.0  | 14.00             | 12.25 |
| YCE48B21S  | CF/CM/CU60D | 24.5  | 1400 - 1800              | 1600         | 48.0    | 36.0  | 14.50             | 12.00 |
| YCE48B21S  | CF/CM64D    | 24.5  | 1400 - 1800              | 1600         | 48.0    | 36.0  | 14.50             | 12.25 |
| YCE60B21S  | CF/CM/CU60C | 21.0  | 1535 - 1935              | 1735         | 56.0    | 41.0  | 14.00             | 11.75 |
| YCE60B21S  | CF/CM/CU60D | 24.5  | 1535 - 1935              | 1725         | 56.0    | 41.0  | 14.00             | 11.75 |
| YCE60B21S  | CF/CM64D    | 24.5  | 1535 - 1935              | 1775         | 57.0    | 42.0  | 14.00             | 11.75 |

For rated condition information, see the footnotes below the System Capacity - Single Piece and Modular Air Handlers table.

1. Requires a S1-2FD06700224 Blower Time Delay unless a standard furnace is equipped with one.

— = Not Applicable.

MP Modular Air Handlers use Coil Only Ratings.

PSC furnaces, such as the TG8S, TGLS, and TG9S, use Coil Only Ratings.

**COOLING CAPACITY - With High Efficiency Motor Furnaces<sup>1</sup>**

| UNIT<br>MODEL | FURNACE        |       | COIL<br>MODEL <sup>2</sup> | COOLING      |         |       |       |       |
|---------------|----------------|-------|----------------------------|--------------|---------|-------|-------|-------|
|               | MODEL          | WIDTH |                            | RATED<br>CFM | NET MBH |       | SEER  | EER   |
|               |                |       |                            |              | TOTAL   | SENS. |       |       |
| YCE18B21H     | TM8V060A12MP11 | 14.5  | CF/CM/CU18A                | 525          | 18.0    | 12.1  | 14.75 | 12.25 |
| YCE18B21H     | TM8V060A12MP11 | 14.5  | CF/CM/CU24A                | 550          | 18.0    | 12.3  | 15.25 | 12.75 |
| YCE18B21H     | TM8V060A12MP11 | 14.5  | CF/CM/CU30A                | 550          | 18.0    | 12.3  | 15.50 | 12.75 |
| YCE18B21H     | TM8V080B12MP11 | 17.5  | CF/CM/CU18B                | 650          | 18.0    | 13.1  | 15.25 | 12.75 |
| YCE18B21H     | TM8V080B12MP11 | 17.5  | CF/CM/CU24B                | 675          | 18.0    | 13.2  | 15.75 | 12.75 |
| YCE18B21H     | TM8V080B12MP11 | 17.5  | CF/CM/CU30B                | 625          | 18.0    | 12.9  | 15.75 | 12.75 |
| YCE18B21H     | TM8V080B12MP11 | 17.5  | CF/CM/CU36B                | 675          | 18.0    | 13.1  | 16.00 | 13.25 |
| YCE18B21H     | TM8X060A12MP11 | 14.5  | CF/CM/CU18A                | 600          | 18.0    | 12.6  | 14.75 | 12.25 |
| YCE18B21H     | TM8X060A12MP11 | 14.5  | CF/CM/CU24A                | 600          | 18.0    | 12.6  | 15.25 | 12.50 |
| YCE18B21H     | TM8X060A12MP11 | 14.5  | CF/CM/CU30A                | 625          | 18.0    | 12.9  | 15.50 | 12.75 |
| YCE18B21H     | TM8X060A12MP11 | 14.5  | CF/CM36A                   | 600          | 18.0    | 12.6  | 15.50 | 12.75 |
| YCE18B21H     | TM8X080B12MP11 | 17.5  | CF/CM/CU18B                | 600          | 18.0    | 12.7  | 15.00 | 12.50 |
| YCE18B21H     | TM8X080B12MP11 | 17.5  | CF/CM/CU24B                | 600          | 18.0    | 12.6  | 15.00 | 12.50 |
| YCE18B21H     | TM8X080B12MP11 | 17.5  | CF/CM/CU30B                | 600          | 18.0    | 12.6  | 15.25 | 12.50 |
| YCE18B21H     | TM8X080B12MP11 | 17.5  | CF/CM/CU36B                | 600          | 18.0    | 12.6  | 15.50 | 12.75 |
| YCE18B21H     | TM8X080C16MP11 | 21.0  | CF/CM/CU24C                | 600          | 18.0    | 12.7  | 15.00 | 12.25 |
| YCE18B21H     | TM8X080C16MP11 | 21.0  | CF/CM/CU30C                | 600          | 18.0    | 12.7  | 15.25 | 12.75 |
| YCE18B21H     | TM8X080C16MP11 | 21.0  | CF/CM/CU30D                | 625          | 18.0    | 12.9  | 15.50 | 12.75 |
| YCE18B21H     | TM8X080C16MP11 | 21.0  | CF/CM/CU36C                | 600          | 18.0    | 12.6  | 15.25 | 12.50 |
| YCE18B21H     | TM8X080C16MP11 | 21.0  | CF/CM/CU36D                | 625          | 18.0    | 12.8  | 15.50 | 12.75 |
| YCE18B21H     | TM8X100C16MP11 | 21.0  | CF/CM/CU24C                | 600          | 18.0    | 12.7  | 15.00 | 12.25 |
| YCE18B21H     | TM8X100C16MP11 | 21.0  | CF/CM/CU30C                | 600          | 18.0    | 12.7  | 15.25 | 12.75 |
| YCE18B21H     | TM8X100C16MP11 | 21.0  | CF/CM/CU30D                | 625          | 18.0    | 12.9  | 15.50 | 12.75 |
| YCE18B21H     | TM8X100C16MP11 | 21.0  | CF/CM/CU36C                | 600          | 18.0    | 12.6  | 15.25 | 12.50 |
| YCE18B21H     | TM8X100C16MP11 | 21.0  | CF/CM/CU36D                | 625          | 18.0    | 12.8  | 15.50 | 12.75 |
| YCE18B21H     | TM8Y060A12MP11 | 14.5  | CF/CM/CU18A                | 600          | 18.0    | 12.6  | 14.75 | 12.25 |
| YCE18B21H     | TM8Y060A12MP11 | 14.5  | CF/CM/CU24A                | 600          | 18.0    | 12.6  | 15.25 | 12.50 |
| YCE18B21H     | TM8Y060A12MP11 | 14.5  | CF/CM/CU30A                | 625          | 18.0    | 12.9  | 15.50 | 12.75 |
| YCE18B21H     | TM8Y060A12MP11 | 14.5  | CF/CM36A                   | 600          | 18.0    | 12.6  | 15.50 | 12.75 |
| YCE18B21H     | TM8Y080B12MP11 | 17.5  | CF/CM/CU18B                | 600          | 18.0    | 12.7  | 15.00 | 12.50 |
| YCE18B21H     | TM8Y080B12MP11 | 17.5  | CF/CM/CU24B                | 600          | 18.0    | 12.6  | 15.00 | 12.50 |
| YCE18B21H     | TM8Y080B12MP11 | 17.5  | CF/CM/CU30B                | 600          | 18.0    | 12.6  | 15.25 | 12.50 |
| YCE18B21H     | TM8Y080B12MP11 | 17.5  | CF/CM/CU36B                | 600          | 18.0    | 12.6  | 15.50 | 12.75 |
| YCE18B21H     | TM8Y080C16MP11 | 21.0  | CF/CM/CU24C                | 600          | 18.0    | 12.7  | 15.00 | 12.25 |
| YCE18B21H     | TM8Y080C16MP11 | 21.0  | CF/CM/CU30C                | 600          | 18.0    | 12.7  | 15.25 | 12.75 |
| YCE18B21H     | TM8Y080C16MP11 | 21.0  | CF/CM/CU30D                | 625          | 18.0    | 12.9  | 15.50 | 12.75 |
| YCE18B21H     | TM8Y080C16MP11 | 21.0  | CF/CM/CU36C                | 600          | 18.0    | 12.6  | 15.25 | 12.50 |
| YCE18B21H     | TM8Y080C16MP11 | 21.0  | CF/CM/CU36D                | 625          | 18.0    | 12.8  | 15.50 | 12.75 |
| YCE18B21H     | TM8Y100C16MP11 | 21.0  | CF/CM/CU24C                | 600          | 18.0    | 12.7  | 15.00 | 12.25 |
| YCE18B21H     | TM8Y100C16MP11 | 21.0  | CF/CM/CU30C                | 600          | 18.0    | 12.7  | 15.25 | 12.75 |
| YCE18B21H     | TM8Y100C16MP11 | 21.0  | CF/CM/CU30D                | 625          | 18.0    | 12.9  | 15.50 | 12.75 |
| YCE18B21H     | TM8Y100C16MP11 | 21.0  | CF/CM/CU36C                | 600          | 18.0    | 12.6  | 15.25 | 12.50 |
| YCE18B21H     | TM8Y100C16MP11 | 21.0  | CF/CM/CU36D                | 625          | 18.0    | 12.8  | 15.50 | 12.75 |
| YCE18B21H     | TM9E040A10MP11 | 14.5  | CF/CM/CU18A                | 600          | 18.0    | 12.7  | 15.00 | 12.25 |
| YCE18B21H     | TM9E040A10MP11 | 14.5  | CF/CM/CU24A                | 575          | 18.0    | 12.4  | 15.00 | 12.25 |
| YCE18B21H     | TM9E040A10MP11 | 14.5  | CF/CM/CU30A                | 600          | 18.0    | 12.7  | 15.25 | 12.50 |
| YCE18B21H     | TM9E040A10MP11 | 14.5  | CF/CM36A                   | 600          | 18.0    | 12.6  | 15.50 | 12.50 |
| YCE18B21H     | TM9E060B12MP11 | 17.5  | CF/CM/CU18B                | 600          | 18.0    | 12.6  | 14.75 | 12.25 |
| YCE18B21H     | TM9E060B12MP11 | 17.5  | CF/CM/CU24B                | 600          | 18.0    | 12.7  | 15.00 | 12.25 |

For notes see Page 40.

**COOLING CAPACITY - With High Efficiency Motor Furnaces<sup>1</sup> (Continued)**

| UNIT<br>MODEL | FURNACE        |       | COIL<br>MODEL <sup>2</sup> | COOLING      |         |       |       |       |
|---------------|----------------|-------|----------------------------|--------------|---------|-------|-------|-------|
|               | MODEL          | WIDTH |                            | RATED<br>CFM | NET MBH |       | SEER  | EER   |
|               |                |       |                            |              | TOTAL   | SENS. |       |       |
| YCE18B21H     | TM9E060B12MP11 | 17.5  | CF/CM/CU30B                | 600          | 18.0    | 12.7  | 15.25 | 12.50 |
| YCE18B21H     | TM9E060B12MP11 | 17.5  | CF/CM/CU36B                | 600          | 18.0    | 12.6  | 15.25 | 12.50 |
| YCE18B21H     | TM9E080B12MP11 | 17.5  | CF/CM/CU18B                | 600          | 18.0    | 12.6  | 14.75 | 12.25 |
| YCE18B21H     | TM9E080B12MP11 | 17.5  | CF/CM/CU24B                | 600          | 18.0    | 12.7  | 15.00 | 12.25 |
| YCE18B21H     | TM9E080B12MP11 | 17.5  | CF/CM/CU30B                | 600          | 18.0    | 12.7  | 15.25 | 12.50 |
| YCE18B21H     | TM9E080B12MP11 | 17.5  | CF/CM/CU36B                | 600          | 18.0    | 12.6  | 15.25 | 12.50 |
| YCE18B21H     | TM9E080C16MP11 | 21.0  | CF/CM/CU24C                | 600          | 18.0    | 12.7  | 15.25 | 12.75 |
| YCE18B21H     | TM9E080C16MP11 | 21.0  | CF/CM/CU30C                | 600          | 18.0    | 12.6  | 15.75 | 12.75 |
| YCE18B21H     | TM9E080C16MP11 | 21.0  | CF/CM/CU30D                | 600          | 18.0    | 12.6  | 15.75 | 12.75 |
| YCE18B21H     | TM9E080C16MP11 | 21.0  | CF/CM/CU36C                | 600          | 18.0    | 12.6  | 15.75 | 12.75 |
| YCE18B21H     | TM9E080C16MP11 | 21.0  | CF/CM/CU36D                | 600          | 18.0    | 12.6  | 16.00 | 13.25 |
| YCE18B21H     | TM9E100C16MP11 | 21.0  | CF/CM/CU24C                | 600          | 18.0    | 12.7  | 15.25 | 12.75 |
| YCE18B21H     | TM9E100C16MP11 | 21.0  | CF/CM/CU30C                | 600          | 18.0    | 12.6  | 15.75 | 12.75 |
| YCE18B21H     | TM9E100C16MP11 | 21.0  | CF/CM/CU30D                | 600          | 18.0    | 12.6  | 15.75 | 12.75 |
| YCE18B21H     | TM9E100C16MP11 | 21.0  | CF/CM/CU36C                | 600          | 18.0    | 12.6  | 15.75 | 12.75 |
| YCE18B21H     | TM9E100C16MP11 | 21.0  | CF/CM/CU36D                | 600          | 18.0    | 12.6  | 16.00 | 13.25 |
| YCE18B21H     | TM9E100C20MP11 | 21.0  | CF/CM/CU24C                | 625          | 18.0    | 12.8  | 14.25 | 12.00 |
| YCE18B21H     | TM9E100C20MP11 | 21.0  | CF/CM/CU30C                | 625          | 18.0    | 12.8  | 14.50 | 12.00 |
| YCE18B21H     | TM9E100C20MP11 | 21.0  | CF/CM/CU30D                | 650          | 18.0    | 13.1  | 14.50 | 12.25 |
| YCE18B21H     | TM9E100C20MP11 | 21.0  | CF/CM/CU36C                | 625          | 18.0    | 12.7  | 14.50 | 12.25 |
| YCE18B21H     | TM9E100C20MP11 | 21.0  | CF/CM/CU36D                | 650          | 18.0    | 12.9  | 14.50 | 12.25 |
| YCE18B21H     | TM9E120D20MP11 | 24.5  | CF/CM/CU30D                | 600          | 18.0    | 12.6  | 14.50 | 12.00 |
| YCE18B21H     | TM9E120D20MP11 | 24.5  | CF/CM/CU36D                | 600          | 18.0    | 12.5  | 14.50 | 12.25 |
| YCE18B21H     | TM9V040A10MP11 | 14.5  | CF/CM/CU24A                | 675          | 18.0    | 13.1  | 14.50 | 12.25 |
| YCE18B21H     | TM9V060B12MP11 | 17.5  | CF/CM/CU18B                | 625          | 18.0    | 12.8  | 15.25 | 12.75 |
| YCE18B21H     | TM9V060B12MP11 | 17.5  | CF/CM/CU24B                | 550          | 18.0    | 12.4  | 15.50 | 12.75 |
| YCE18B21H     | TM9V060B12MP11 | 17.5  | CF/CM/CU30B                | 650          | 18.0    | 13.0  | 15.50 | 12.75 |
| YCE18B21H     | TM9V060B12MP11 | 17.5  | CF/CM/CU36B                | 600          | 18.0    | 12.6  | 16.00 | 13.00 |
| YCE18B21H     | TM9V080B12MP11 | 17.5  | CF/CM/CU18B                | 625          | 18.0    | 12.8  | 15.25 | 12.75 |
| YCE18B21H     | TM9V080B12MP11 | 17.5  | CF/CM/CU24B                | 550          | 18.0    | 12.4  | 15.50 | 12.75 |
| YCE18B21H     | TM9V080B12MP11 | 17.5  | CF/CM/CU30B                | 650          | 18.0    | 13.0  | 15.50 | 12.75 |
| YCE18B21H     | TM9V080B12MP11 | 17.5  | CF/CM/CU36B                | 600          | 18.0    | 12.6  | 16.00 | 13.00 |
| YCE18B21H     | TM9Y040A10MP11 | 14.5  | CF/CM/CU18A                | 600          | 18.0    | 12.7  | 15.00 | 12.25 |
| YCE18B21H     | TM9Y040A10MP11 | 14.5  | CF/CM/CU24A                | 575          | 18.0    | 12.4  | 15.00 | 12.25 |
| YCE18B21H     | TM9Y040A10MP11 | 14.5  | CF/CM/CU30A                | 600          | 18.0    | 12.7  | 15.25 | 12.50 |
| YCE18B21H     | TM9Y040A10MP11 | 14.5  | CF/CM/CU36A                | 600          | 18.0    | 12.6  | 15.50 | 12.50 |
| YCE18B21H     | TM9Y060B12MP11 | 17.5  | CF/CM/CU18B                | 600          | 18.0    | 12.6  | 14.75 | 12.25 |
| YCE18B21H     | TM9Y060B12MP11 | 17.5  | CF/CM/CU24B                | 600          | 18.0    | 12.7  | 15.00 | 12.25 |
| YCE18B21H     | TM9Y060B12MP11 | 17.5  | CF/CM/CU30B                | 600          | 18.0    | 12.7  | 15.25 | 12.50 |
| YCE18B21H     | TM9Y060B12MP11 | 17.5  | CF/CM/CU36B                | 600          | 18.0    | 12.6  | 15.25 | 12.50 |
| YCE18B21H     | TM9Y080B12MP11 | 17.5  | CF/CM/CU18B                | 600          | 18.0    | 12.6  | 14.75 | 12.25 |
| YCE18B21H     | TM9Y080B12MP11 | 17.5  | CF/CM/CU24B                | 600          | 18.0    | 12.7  | 15.00 | 12.25 |
| YCE18B21H     | TM9Y080B12MP11 | 17.5  | CF/CM/CU30B                | 600          | 18.0    | 12.7  | 15.25 | 12.50 |
| YCE18B21H     | TM9Y080B12MP11 | 17.5  | CF/CM/CU36B                | 600          | 18.0    | 12.6  | 15.25 | 12.50 |
| YCE18B21H     | TM9Y080C16MP11 | 21.0  | CF/CM/CU24C                | 600          | 18.0    | 12.7  | 15.25 | 12.75 |
| YCE18B21H     | TM9Y080C16MP11 | 21.0  | CF/CM/CU30C                | 600          | 18.0    | 12.6  | 15.75 | 12.75 |
| YCE18B21H     | TM9Y080C16MP11 | 21.0  | CF/CM/CU30D                | 600          | 18.0    | 12.6  | 15.75 | 12.75 |
| YCE18B21H     | TM9Y080C16MP11 | 21.0  | CF/CM/CU36C                | 600          | 18.0    | 12.6  | 15.75 | 12.75 |
| YCE18B21H     | TM9Y080C16MP11 | 21.0  | CF/CM/CU36D                | 600          | 18.0    | 12.6  | 16.00 | 13.25 |

For notes see Page 40.

**COOLING CAPACITY - With High Efficiency Motor Furnaces<sup>1</sup> (Continued)**

| UNIT<br>MODEL | FURNACE        |       | COIL<br>MODEL <sup>2</sup> | COOLING      |         |       |       |       |
|---------------|----------------|-------|----------------------------|--------------|---------|-------|-------|-------|
|               | MODEL          | WIDTH |                            | RATED<br>CFM | NET MBH |       | SEER  | EER   |
|               |                |       |                            |              | TOTAL   | SENS. |       |       |
| YCE18B21H     | TM9Y100C16MP11 | 21.0  | CF/CM/CU24C                | 600          | 18.0    | 12.7  | 15.25 | 12.75 |
| YCE18B21H     | TM9Y100C16MP11 | 21.0  | CF/CM/CU30C                | 600          | 18.0    | 12.6  | 15.75 | 12.75 |
| YCE18B21H     | TM9Y100C16MP11 | 21.0  | CF/CM/CU30D                | 600          | 18.0    | 12.6  | 15.75 | 12.75 |
| YCE18B21H     | TM9Y100C16MP11 | 21.0  | CF/CM/CU36C                | 600          | 18.0    | 12.6  | 15.75 | 12.75 |
| YCE18B21H     | TM9Y100C16MP11 | 21.0  | CF/CM/CU36D                | 600          | 18.0    | 12.6  | 16.00 | 13.25 |
| YCE18B21H     | TM9Y100C20MP11 | 21.0  | CF/CM/CU24C                | 625          | 18.0    | 12.8  | 14.25 | 12.00 |
| YCE18B21H     | TM9Y100C20MP11 | 21.0  | CF/CM/CU30C                | 625          | 18.0    | 12.8  | 14.50 | 12.00 |
| YCE18B21H     | TM9Y100C20MP11 | 21.0  | CF/CM/CU30D                | 650          | 18.0    | 13.1  | 14.50 | 12.25 |
| YCE18B21H     | TM9Y100C20MP11 | 21.0  | CF/CM/CU36C                | 625          | 18.0    | 12.7  | 14.50 | 12.25 |
| YCE18B21H     | TM9Y100C20MP11 | 21.0  | CF/CM/CU36D                | 650          | 18.0    | 12.9  | 14.50 | 12.25 |
| YCE18B21H     | TM9Y120D20MP11 | 24.5  | CF/CM/CU30D                | 600          | 18.0    | 12.6  | 14.50 | 12.00 |
| YCE18B21H     | TM9Y120D20MP11 | 24.5  | CF/CM/CU36D                | 600          | 18.0    | 12.5  | 14.50 | 12.25 |
| YCE18B21H     | TMLV060A12MP11 | 14.5  | CF/CM/CU18A                | 525          | 18.0    | 12.1  | 14.75 | 12.25 |
| YCE18B21H     | TMLV060A12MP11 | 14.5  | CF/CM/CU24A                | 550          | 18.0    | 12.3  | 15.25 | 12.75 |
| YCE18B21H     | TMLV060A12MP11 | 14.5  | CF/CM/CU30A                | 550          | 18.0    | 12.3  | 15.50 | 12.75 |
| YCE18B21H     | TMLV080B12MP11 | 17.5  | CF/CM/CU18B                | 650          | 18.0    | 13.1  | 15.25 | 12.75 |
| YCE18B21H     | TMLV080B12MP11 | 17.5  | CF/CM/CU24B                | 675          | 18.0    | 13.2  | 15.75 | 12.75 |
| YCE18B21H     | TMLV080B12MP11 | 17.5  | CF/CM/CU30B                | 625          | 18.0    | 12.9  | 15.75 | 12.75 |
| YCE18B21H     | TMLV080B12MP11 | 17.5  | CF/CM/CU36B                | 675          | 18.0    | 13.1  | 16.00 | 13.25 |
| YCE18B21H     | TMLX060A12MP11 | 14.5  | CF/CM/CU18A                | 600          | 18.0    | 12.6  | 14.75 | 12.25 |
| YCE18B21H     | TMLX060A12MP11 | 14.5  | CF/CM/CU24A                | 600          | 18.0    | 12.6  | 15.25 | 12.50 |
| YCE18B21H     | TMLX060A12MP11 | 14.5  | CF/CM/CU30A                | 625          | 18.0    | 12.9  | 15.50 | 12.75 |
| YCE18B21H     | TMLX060A12MP11 | 14.5  | CF/CM/CU36A                | 600          | 18.0    | 12.6  | 15.50 | 12.75 |
| YCE18B21H     | TMLX080B12MP11 | 17.5  | CF/CM/CU18B                | 600          | 18.0    | 12.7  | 15.00 | 12.50 |
| YCE18B21H     | TMLX080B12MP11 | 17.5  | CF/CM/CU24B                | 600          | 18.0    | 12.6  | 15.00 | 12.50 |
| YCE18B21H     | TMLX080B12MP11 | 17.5  | CF/CM/CU30B                | 600          | 18.0    | 12.6  | 15.25 | 12.50 |
| YCE18B21H     | TMLX080B12MP11 | 17.5  | CF/CM/CU36B                | 600          | 18.0    | 12.6  | 15.50 | 12.75 |
| YCE18B21H     | TMLX080C16MP11 | 21.0  | CF/CM/CU24C                | 600          | 18.0    | 12.7  | 15.00 | 12.25 |
| YCE18B21H     | TMLX080C16MP11 | 21.0  | CF/CM/CU30C                | 600          | 18.0    | 12.7  | 15.25 | 12.75 |
| YCE18B21H     | TMLX080C16MP11 | 21.0  | CF/CM/CU30D                | 625          | 18.0    | 12.9  | 15.50 | 12.75 |
| YCE18B21H     | TMLX080C16MP11 | 21.0  | CF/CM/CU36C                | 600          | 18.0    | 12.6  | 15.25 | 12.50 |
| YCE18B21H     | TMLX080C16MP11 | 21.0  | CF/CM/CU36D                | 625          | 18.0    | 12.8  | 15.50 | 12.75 |
| YCE18B21H     | TMLX100C16MP11 | 21.0  | CF/CM/CU24C                | 600          | 18.0    | 12.7  | 15.00 | 12.25 |
| YCE18B21H     | TMLX100C16MP11 | 21.0  | CF/CM/CU30C                | 600          | 18.0    | 12.7  | 15.25 | 12.75 |
| YCE18B21H     | TMLX100C16MP11 | 21.0  | CF/CM/CU30D                | 625          | 18.0    | 12.9  | 15.50 | 12.75 |
| YCE18B21H     | TMLX100C16MP11 | 21.0  | CF/CM/CU36C                | 600          | 18.0    | 12.6  | 15.25 | 12.50 |
| YCE18B21H     | TMLX100C16MP11 | 21.0  | CF/CM/CU36D                | 625          | 18.0    | 12.8  | 15.50 | 12.75 |
| YCE18B21H     | TP9C060B12MP12 | 17.5  | CF/CM/CU18B                | 625          | 18.0    | 12.8  | 15.25 | 12.75 |
| YCE18B21H     | TP9C060B12MP12 | 17.5  | CF/CM/CU24B                | 550          | 18.0    | 12.4  | 15.50 | 12.75 |
| YCE18B21H     | TP9C060B12MP12 | 17.5  | CF/CM/CU30B                | 650          | 18.0    | 13.0  | 15.50 | 12.75 |
| YCE18B21H     | TP9C060B12MP12 | 17.5  | CF/CM/CU36B                | 600          | 18.0    | 12.6  | 16.00 | 13.00 |
| YCE18B21H     | TP9C080B12MP12 | 17.5  | CF/CM/CU18B                | 625          | 18.0    | 12.8  | 15.25 | 12.75 |
| YCE18B21H     | TP9C080B12MP12 | 17.5  | CF/CM/CU24B                | 550          | 18.0    | 12.4  | 15.50 | 12.75 |
| YCE18B21H     | TP9C080B12MP12 | 17.5  | CF/CM/CU30B                | 650          | 18.0    | 13.0  | 15.50 | 12.75 |
| YCE18B21H     | TP9C080B12MP12 | 17.5  | CF/CM/CU36B                | 600          | 18.0    | 12.6  | 16.00 | 13.00 |
| YCE18B21H     | TPLC060A12MP12 | 14.5  | CF/CM/CU18A                | 525          | 18.0    | 12.1  | 14.75 | 12.25 |
| YCE18B21H     | TPLC060A12MP12 | 14.5  | CF/CM/CU24A                | 550          | 18.0    | 12.3  | 15.25 | 12.75 |
| YCE18B21H     | TPLC060A12MP12 | 14.5  | CF/CM/CU30A                | 550          | 18.0    | 12.3  | 15.50 | 12.75 |
| YCE18B21H     | TPLC080B12MP12 | 17.5  | CF/CM/CU18B                | 650          | 18.0    | 13.1  | 15.25 | 12.75 |
| YCE18B21H     | TPLC080B12MP12 | 17.5  | CF/CM/CU24B                | 675          | 18.0    | 13.2  | 15.75 | 12.75 |

For notes see Page 40.

**COOLING CAPACITY - With High Efficiency Motor Furnaces<sup>1</sup> (Continued)**

| UNIT<br>MODEL | FURNACE        |       | COIL<br>MODEL <sup>2</sup> | COOLING      |         |       |       |       |
|---------------|----------------|-------|----------------------------|--------------|---------|-------|-------|-------|
|               | MODEL          | WIDTH |                            | RATED<br>CFM | NET MBH |       | SEER  | EER   |
|               |                |       |                            |              | TOTAL   | SENS. |       |       |
| YCE18B21H     | TPLC080B12MP12 | 17.5  | CF/CM/CU30B                | 625          | 18.0    | 12.9  | 15.75 | 12.75 |
| YCE18B21H     | TPLC080B12MP12 | 17.5  | CF/CM/CU36B                | 675          | 18.0    | 13.1  | 16.00 | 13.25 |
| YCE18B21H     | YP9C060B12MP12 | 17.5  | CF/CM/CU18B                | 625          | 18.0    | 12.8  | 15.25 | 12.75 |
| YCE18B21H     | YP9C060B12MP12 | 17.5  | CF/CM/CU24B                | 550          | 18.0    | 12.4  | 15.50 | 12.75 |
| YCE18B21H     | YP9C060B12MP12 | 17.5  | CF/CM/CU30B                | 650          | 18.0    | 13.0  | 15.50 | 12.75 |
| YCE18B21H     | YP9C060B12MP12 | 17.5  | CF/CM/CU36B                | 600          | 18.0    | 12.6  | 16.00 | 13.00 |
| YCE18B21H     | YP9C080B12MP12 | 17.5  | CF/CM/CU18B                | 625          | 18.0    | 12.8  | 15.25 | 12.75 |
| YCE18B21H     | YP9C080B12MP12 | 17.5  | CF/CM/CU24B                | 550          | 18.0    | 12.4  | 15.50 | 12.75 |
| YCE18B21H     | YP9C080B12MP12 | 17.5  | CF/CM/CU30B                | 650          | 18.0    | 13.0  | 15.50 | 12.75 |
| YCE18B21H     | YP9C080B12MP12 | 17.5  | CF/CM/CU36B                | 600          | 18.0    | 12.6  | 16.00 | 13.00 |
| YCE18B21H     | YPLC060A12MP12 | 14.5  | CF/CM/CU18A                | 525          | 18.0    | 12.1  | 14.75 | 12.25 |
| YCE18B21H     | YPLC060A12MP12 | 14.5  | CF/CM/CU24A                | 550          | 18.0    | 12.3  | 15.25 | 12.75 |
| YCE18B21H     | YPLC060A12MP12 | 14.5  | CF/CM/CU30A                | 550          | 18.0    | 12.3  | 15.50 | 12.75 |
| YCE18B21H     | YPLC080B12MP12 | 17.5  | CF/CM/CU18B                | 650          | 18.0    | 13.1  | 15.25 | 12.75 |
| YCE18B21H     | YPLC080B12MP12 | 17.5  | CF/CM/CU24B                | 675          | 18.0    | 13.2  | 15.75 | 12.75 |
| YCE18B21H     | YPLC080B12MP12 | 17.5  | CF/CM/CU30B                | 625          | 18.0    | 12.9  | 15.75 | 12.75 |
| YCE18B21H     | YPLC080B12MP12 | 17.5  | CF/CM/CU36B                | 675          | 18.0    | 13.1  | 16.00 | 13.25 |
| YCE24B21H     | TM8V060A12MP11 | 14.5  | CF/CM/CU24A                | 725          | 23.2    | 15.6  | 14.75 | 12.25 |
| YCE24B21H     | TM8V060A12MP11 | 14.5  | CF/CM/CU30A                | 725          | 23.4    | 16.0  | 15.25 | 12.50 |
| YCE24B21H     | TM8V060A12MP11 | 14.5  | CF/CM36A                   | 700          | 23.6    | 15.8  | 15.25 | 12.50 |
| YCE24B21H     | TM8V080B12MP11 | 17.5  | CF/CM/CU24B                | 850          | 24.0    | 17.2  | 15.25 | 12.50 |
| YCE24B21H     | TM8V080B12MP11 | 17.5  | CF/CM/CU30B                | 800          | 24.0    | 16.6  | 15.25 | 12.50 |
| YCE24B21H     | TM8V080B12MP11 | 17.5  | CF/CM/CU36B                | 675          | 23.4    | 15.2  | 15.25 | 12.50 |
| YCE24B21H     | TM8V080B12MP11 | 17.5  | CF42B                      | 850          | 24.0    | 17.0  | 15.75 | 12.75 |
| YCE24B21H     | TM8X060A12MP11 | 14.5  | CF/CM/CU24A                | 800          | 23.8    | 16.8  | 15.50 | 12.75 |
| YCE24B21H     | TM8X060A12MP11 | 14.5  | CF/CM/CU30A                | 800          | 24.0    | 16.8  | 16.00 | 13.00 |
| YCE24B21H     | TM8X060A12MP11 | 14.5  | CF/CM36A                   | 775          | 24.0    | 16.6  | 15.75 | 12.75 |
| YCE24B21H     | TM8X080B12MP11 | 17.5  | CF/CM/CU24B                | 800          | 23.8    | 16.8  | 15.50 | 12.75 |
| YCE24B21H     | TM8X080B12MP11 | 17.5  | CF/CM/CU30B                | 800          | 24.0    | 16.8  | 16.00 | 13.00 |
| YCE24B21H     | TM8X080B12MP11 | 17.5  | CF/CM/CU36B                | 800          | 24.0    | 16.8  | 16.00 | 13.00 |
| YCE24B21H     | TM8X080B12MP11 | 17.5  | CF42B                      | 800          | 24.0    | 16.6  | 16.00 | 13.00 |
| YCE24B21H     | TM8X080C16MP11 | 21.0  | CF/CM/CU24C                | 800          | 24.0    | 17.0  | 15.75 | 12.75 |
| YCE24B21H     | TM8X080C16MP11 | 21.0  | CF/CM/CU30C                | 800          | 24.0    | 16.8  | 16.00 | 13.00 |
| YCE24B21H     | TM8X080C16MP11 | 21.0  | CF/CM/CU30D                | 800          | 24.0    | 16.8  | 16.00 | 13.00 |
| YCE24B21H     | TM8X080C16MP11 | 21.0  | CF/CM/CU36C                | 800          | 24.0    | 16.8  | 16.00 | 13.00 |
| YCE24B21H     | TM8X080C16MP11 | 21.0  | CF/CM/CU36D                | 800          | 24.0    | 16.8  | 16.00 | 13.00 |
| YCE24B21H     | TM8X080C16MP11 | 21.0  | CF/CM/CU42C                | 800          | 24.0    | 16.8  | 16.00 | 13.00 |
| YCE24B21H     | TM8X080C16MP11 | 21.0  | CF/CM/CU42D                | 800          | 24.0    | 16.6  | 16.00 | 13.00 |
| YCE24B21H     | TM8X100C16MP11 | 21.0  | CF/CM/CU24C                | 800          | 24.0    | 17.0  | 15.75 | 12.75 |
| YCE24B21H     | TM8X100C16MP11 | 21.0  | CF/CM/CU30C                | 800          | 24.0    | 16.8  | 16.00 | 13.00 |
| YCE24B21H     | TM8X100C16MP11 | 21.0  | CF/CM/CU30D                | 800          | 24.0    | 16.8  | 16.00 | 13.00 |
| YCE24B21H     | TM8X100C16MP11 | 21.0  | CF/CM/CU36C                | 800          | 24.0    | 16.8  | 16.00 | 13.00 |
| YCE24B21H     | TM8X100C16MP11 | 21.0  | CF/CM/CU36D                | 800          | 24.0    | 16.8  | 16.00 | 13.00 |
| YCE24B21H     | TM8X100C16MP11 | 21.0  | CF/CM/CU42C                | 800          | 24.0    | 16.8  | 16.00 | 13.00 |
| YCE24B21H     | TM8X100C16MP11 | 21.0  | CF/CM/CU42D                | 800          | 24.0    | 16.6  | 16.00 | 13.00 |
| YCE24B21H     | TM8X100C20MP11 | 21.0  | CF/CM/CU30C                | 800          | 24.0    | 16.6  | 15.00 | 12.25 |
| YCE24B21H     | TM8X100C20MP11 | 21.0  | CF/CM/CU30D                | 825          | 24.0    | 17.2  | 15.00 | 12.25 |
| YCE24B21H     | TM8X100C20MP11 | 21.0  | CF/CM/CU36C                | 825          | 24.0    | 16.8  | 15.25 | 12.25 |
| YCE24B21H     | TM8X100C20MP11 | 21.0  | CF/CM/CU36D                | 825          | 24.0    | 17.0  | 15.25 | 12.25 |

For notes see Page 40.

COOLING CAPACITY - With High Efficiency Motor Furnaces<sup>1</sup> (Continued)

| UNIT<br>MODEL | FURNACE        |       | COIL<br>MODEL <sup>2</sup> | COOLING      |         |       |       |       |
|---------------|----------------|-------|----------------------------|--------------|---------|-------|-------|-------|
|               | MODEL          | WIDTH |                            | RATED<br>CFM | NET MBH |       | SEER  | EER   |
|               |                |       |                            |              | TOTAL   | SENS. |       |       |
| YCE24B21H     | TM8X100C20MP11 | 21.0  | CF/CM/CU42C                | 825          | 24.0    | 16.8  | 15.25 | 12.25 |
| YCE24B21H     | TM8X100C20MP11 | 21.0  | CF/CM/CU42D                | 825          | 24.0    | 16.8  | 15.25 | 12.25 |
| YCE24B21H     | TM8X120C20MP11 | 21.0  | CF/CM/CU30C                | 800          | 24.0    | 16.6  | 15.00 | 12.25 |
| YCE24B21H     | TM8X120C20MP11 | 21.0  | CF/CM/CU30D                | 825          | 24.0    | 17.2  | 15.00 | 12.25 |
| YCE24B21H     | TM8X120C20MP11 | 21.0  | CF/CM/CU36C                | 825          | 24.0    | 16.8  | 15.25 | 12.25 |
| YCE24B21H     | TM8X120C20MP11 | 21.0  | CF/CM/CU36D                | 825          | 24.0    | 17.0  | 15.25 | 12.25 |
| YCE24B21H     | TM8X120C20MP11 | 21.0  | CF/CM/CU42C                | 825          | 24.0    | 16.8  | 15.25 | 12.25 |
| YCE24B21H     | TM8X120C20MP11 | 21.0  | CF/CM/CU42D                | 825          | 24.0    | 16.8  | 15.25 | 12.25 |
| YCE24B21H     | TM8Y060A12MP11 | 14.5  | CF/CM/CU24A                | 800          | 23.8    | 16.8  | 15.50 | 12.75 |
| YCE24B21H     | TM8Y060A12MP11 | 14.5  | CF/CM/CU30A                | 800          | 24.0    | 16.8  | 16.00 | 13.00 |
| YCE24B21H     | TM8Y060A12MP11 | 14.5  | CF/CM36A                   | 775          | 24.0    | 16.6  | 15.75 | 12.75 |
| YCE24B21H     | TM8Y080B12MP11 | 17.5  | CF/CM/CU24B                | 800          | 23.8    | 16.8  | 15.50 | 12.75 |
| YCE24B21H     | TM8Y080B12MP11 | 17.5  | CF/CM/CU30B                | 800          | 24.0    | 16.8  | 16.00 | 13.00 |
| YCE24B21H     | TM8Y080B12MP11 | 17.5  | CF/CM/CU36B                | 800          | 24.0    | 16.8  | 16.00 | 13.00 |
| YCE24B21H     | TM8Y080B12MP11 | 17.5  | CF42B                      | 800          | 24.0    | 16.6  | 16.00 | 13.00 |
| YCE24B21H     | TM8Y080C16MP11 | 21.0  | CF/CM/CU24C                | 800          | 24.0    | 17.0  | 15.75 | 12.75 |
| YCE24B21H     | TM8Y080C16MP11 | 21.0  | CF/CM/CU30C                | 800          | 24.0    | 16.8  | 16.00 | 13.00 |
| YCE24B21H     | TM8Y080C16MP11 | 21.0  | CF/CM/CU30D                | 800          | 24.0    | 16.8  | 16.00 | 13.00 |
| YCE24B21H     | TM8Y080C16MP11 | 21.0  | CF/CM/CU36C                | 800          | 24.0    | 16.8  | 16.00 | 13.00 |
| YCE24B21H     | TM8Y080C16MP11 | 21.0  | CF/CM/CU36D                | 800          | 24.0    | 16.8  | 16.00 | 13.00 |
| YCE24B21H     | TM8Y080C16MP11 | 21.0  | CF/CM/CU42C                | 800          | 24.0    | 16.8  | 16.00 | 13.00 |
| YCE24B21H     | TM8Y080C16MP11 | 21.0  | CF/CM/CU42D                | 800          | 24.0    | 16.6  | 16.00 | 13.00 |
| YCE24B21H     | TM8Y100C16MP11 | 21.0  | CF/CM/CU24C                | 800          | 24.0    | 17.0  | 15.75 | 12.75 |
| YCE24B21H     | TM8Y100C16MP11 | 21.0  | CF/CM/CU30C                | 800          | 24.0    | 16.8  | 16.00 | 13.00 |
| YCE24B21H     | TM8Y100C16MP11 | 21.0  | CF/CM/CU30D                | 800          | 24.0    | 16.8  | 16.00 | 13.00 |
| YCE24B21H     | TM8Y100C16MP11 | 21.0  | CF/CM/CU36C                | 800          | 24.0    | 16.8  | 16.00 | 13.00 |
| YCE24B21H     | TM8Y100C16MP11 | 21.0  | CF/CM/CU36D                | 800          | 24.0    | 16.8  | 16.00 | 13.00 |
| YCE24B21H     | TM8Y100C16MP11 | 21.0  | CF/CM/CU42C                | 800          | 24.0    | 16.8  | 16.00 | 13.00 |
| YCE24B21H     | TM8Y100C16MP11 | 21.0  | CF/CM/CU42D                | 800          | 24.0    | 16.6  | 16.00 | 13.00 |
| YCE24B21H     | TM8Y100C20MP11 | 21.0  | CF/CM/CU30C                | 800          | 24.0    | 16.6  | 15.00 | 12.25 |
| YCE24B21H     | TM8Y100C20MP11 | 21.0  | CF/CM/CU30D                | 825          | 24.0    | 17.2  | 15.00 | 12.25 |
| YCE24B21H     | TM8Y100C20MP11 | 21.0  | CF/CM/CU36C                | 825          | 24.0    | 16.8  | 15.25 | 12.25 |
| YCE24B21H     | TM8Y100C20MP11 | 21.0  | CF/CM/CU36D                | 825          | 24.0    | 17.0  | 15.25 | 12.25 |
| YCE24B21H     | TM8Y100C20MP11 | 21.0  | CF/CM/CU42C                | 825          | 24.0    | 16.8  | 15.25 | 12.25 |
| YCE24B21H     | TM8Y100C20MP11 | 21.0  | CF/CM/CU42D                | 825          | 24.0    | 16.8  | 15.25 | 12.25 |
| YCE24B21H     | TM8Y120C20MP11 | 21.0  | CF/CM/CU30C                | 800          | 24.0    | 16.6  | 15.00 | 12.25 |
| YCE24B21H     | TM8Y120C20MP11 | 21.0  | CF/CM/CU30D                | 825          | 24.0    | 17.2  | 15.00 | 12.25 |
| YCE24B21H     | TM8Y120C20MP11 | 21.0  | CF/CM/CU36C                | 825          | 24.0    | 16.8  | 15.25 | 12.25 |
| YCE24B21H     | TM8Y120C20MP11 | 21.0  | CF/CM/CU36D                | 825          | 24.0    | 17.0  | 15.25 | 12.25 |
| YCE24B21H     | TM8Y120C20MP11 | 21.0  | CF/CM/CU42C                | 825          | 24.0    | 16.8  | 15.25 | 12.25 |
| YCE24B21H     | TM8Y120C20MP11 | 21.0  | CF/CM/CU42D                | 825          | 24.0    | 16.8  | 15.25 | 12.25 |
| YCE24B21H     | TM9E040A10MP11 | 14.5  | CF/CM/CU24A                | 750          | 23.2    | 16.0  | 14.50 | 12.00 |
| YCE24B21H     | TM9E040A10MP11 | 14.5  | CF/CM/CU30A                | 775          | 24.0    | 16.6  | 15.00 | 12.50 |
| YCE24B21H     | TM9E040A10MP11 | 14.5  | CF/CM36A                   | 775          | 24.0    | 16.6  | 15.25 | 12.25 |
| YCE24B21H     | TM9E060B12MP11 | 17.5  | CF/CM/CU24B                | 750          | 23.4    | 16.2  | 15.50 | 12.75 |
| YCE24B21H     | TM9E060B12MP11 | 17.5  | CF/CM/CU30B                | 750          | 24.0    | 16.4  | 15.75 | 12.75 |
| YCE24B21H     | TM9E060B12MP11 | 17.5  | CF/CM/CU36B                | 750          | 24.0    | 16.4  | 16.00 | 13.00 |
| YCE24B21H     | TM9E060B12MP11 | 17.5  | CF42B                      | 750          | 24.0    | 16.4  | 16.00 | 13.00 |
| YCE24B21H     | TM9E080B12MP11 | 17.5  | CF/CM/CU24B                | 750          | 23.4    | 16.2  | 15.50 | 12.75 |
| YCE24B21H     | TM9E080B12MP11 | 17.5  | CF/CM/CU30B                | 750          | 24.0    | 16.4  | 15.75 | 12.75 |

For notes see Page 40.



**COOLING CAPACITY - With High Efficiency Motor Furnaces<sup>1</sup> (Continued)**

| UNIT<br>MODEL | FURNACE        |       | COIL<br>MODEL <sup>2</sup> | COOLING      |         |       |       |       |
|---------------|----------------|-------|----------------------------|--------------|---------|-------|-------|-------|
|               | MODEL          | WIDTH |                            | RATED<br>CFM | NET MBH |       | SEER  | EER   |
|               |                |       |                            |              | TOTAL   | SENS. |       |       |
| YCE24B21H     | TM9E080B12MP11 | 17.5  | CF/CM/CU36B                | 750          | 24.0    | 16.4  | 16.00 | 13.00 |
| YCE24B21H     | TM9E080B12MP11 | 17.5  | CF42B                      | 750          | 24.0    | 16.4  | 16.00 | 13.00 |
| YCE24B21H     | TM9E080C16MP11 | 21.0  | CF/CM/CU24C                | 750          | 23.6    | 16.4  | 15.75 | 13.00 |
| YCE24B21H     | TM9E080C16MP11 | 21.0  | CF/CM/CU30C                | 750          | 24.0    | 16.6  | 16.00 | 13.00 |
| YCE24B21H     | TM9E080C16MP11 | 21.0  | CF/CM/CU30D                | 775          | 24.0    | 16.8  | 16.00 | 13.00 |
| YCE24B21H     | TM9E080C16MP11 | 21.0  | CF/CM/CU36C                | 750          | 24.0    | 16.4  | 16.00 | 13.00 |
| YCE24B21H     | TM9E080C16MP11 | 21.0  | CF/CM/CU36D                | 775          | 24.0    | 16.6  | 16.00 | 13.00 |
| YCE24B21H     | TM9E080C16MP11 | 21.0  | CF/CM/CU42C                | 750          | 24.0    | 16.4  | 16.00 | 13.00 |
| YCE24B21H     | TM9E080C16MP11 | 21.0  | CF/CM/CU42D                | 775          | 24.0    | 16.4  | 16.00 | 13.00 |
| YCE24B21H     | TM9E100C16MP11 | 21.0  | CF/CM/CU24C                | 750          | 23.6    | 16.4  | 15.75 | 13.00 |
| YCE24B21H     | TM9E100C16MP11 | 21.0  | CF/CM/CU30C                | 750          | 24.0    | 16.6  | 16.00 | 13.00 |
| YCE24B21H     | TM9E100C16MP11 | 21.0  | CF/CM/CU30D                | 775          | 24.0    | 16.8  | 16.00 | 13.00 |
| YCE24B21H     | TM9E100C16MP11 | 21.0  | CF/CM/CU36C                | 750          | 24.0    | 16.4  | 16.00 | 13.00 |
| YCE24B21H     | TM9E100C16MP11 | 21.0  | CF/CM/CU36D                | 775          | 24.0    | 16.6  | 16.00 | 13.00 |
| YCE24B21H     | TM9E100C16MP11 | 21.0  | CF/CM/CU42C                | 750          | 24.0    | 16.4  | 16.00 | 13.00 |
| YCE24B21H     | TM9E100C16MP11 | 21.0  | CF/CM/CU42D                | 775          | 24.0    | 16.4  | 16.00 | 13.00 |
| YCE24B21H     | TM9E100C20MP11 | 21.0  | CF/CM/CU24C                | 825          | 23.8    | 17.0  | 15.25 | 12.25 |
| YCE24B21H     | TM9E100C20MP11 | 21.0  | CF/CM/CU30C                | 825          | 24.0    | 17.0  | 15.50 | 12.50 |
| YCE24B21H     | TM9E100C20MP11 | 21.0  | CF/CM/CU30D                | 825          | 24.0    | 17.0  | 15.50 | 12.50 |
| YCE24B21H     | TM9E100C20MP11 | 21.0  | CF/CM/CU36C                | 825          | 24.0    | 17.0  | 15.50 | 12.75 |
| YCE24B21H     | TM9E100C20MP11 | 21.0  | CF/CM/CU36D                | 825          | 24.0    | 17.0  | 15.50 | 12.75 |
| YCE24B21H     | TM9E100C20MP11 | 21.0  | CF/CM/CU42C                | 825          | 24.0    | 16.8  | 15.50 | 12.75 |
| YCE24B21H     | TM9E100C20MP11 | 21.0  | CF/CM/CU42D                | 825          | 24.0    | 16.8  | 15.75 | 12.75 |
| YCE24B21H     | TM9E120D20MP11 | 24.5  | CF/CM/CU30D                | 825          | 24.0    | 17.2  | 15.75 | 12.75 |
| YCE24B21H     | TM9E120D20MP11 | 24.5  | CF/CM/CU36D                | 800          | 24.0    | 16.8  | 15.75 | 12.75 |
| YCE24B21H     | TM9E120D20MP11 | 24.5  | CF/CM/CU42D                | 800          | 24.0    | 16.6  | 15.75 | 12.75 |
| YCE24B21H     | TM9V040A10MP11 | 14.5  | CF/CM/CU24A                | 675          | 22.4    | 14.4  | 14.25 | 11.50 |
| YCE24B21H     | TM9V040A10MP11 | 14.5  | CF/CM/CU30A                | 700          | 23.2    | 15.4  | 14.50 | 12.00 |
| YCE24B21H     | TM9V060B12MP11 | 17.5  | CF/CM/CU24B                | 800          | 24.0    | 17.0  | 16.00 | 13.00 |
| YCE24B21H     | TM9V060B12MP11 | 17.5  | CF/CM/CU30B                | 650          | 23.2    | 15.2  | 15.25 | 12.50 |
| YCE24B21H     | TM9V060B12MP11 | 17.5  | CF/CM/CU36B                | 725          | 24.0    | 16.2  | 15.75 | 12.75 |
| YCE24B21H     | TM9V060B12MP11 | 17.5  | CF42B                      | 825          | 24.0    | 17.0  | 16.00 | 13.00 |
| YCE24B21H     | TM9V080B12MP11 | 17.5  | CF/CM/CU24B                | 800          | 24.0    | 17.0  | 16.00 | 13.00 |
| YCE24B21H     | TM9V080B12MP11 | 17.5  | CF/CM/CU30B                | 650          | 23.2    | 15.2  | 15.25 | 12.50 |
| YCE24B21H     | TM9V080B12MP11 | 17.5  | CF/CM/CU36B                | 725          | 24.0    | 16.2  | 15.75 | 12.75 |
| YCE24B21H     | TM9V080B12MP11 | 17.5  | CF42B                      | 825          | 24.0    | 17.0  | 16.00 | 13.00 |
| YCE24B21H     | TM9V080C16MP11 | 21.0  | CF/CM/CU36C                | 875          | 24.0    | 17.4  | 16.00 | 13.00 |
| YCE24B21H     | TM9V100C16MP11 | 21.0  | CF/CM/CU36C                | 875          | 24.0    | 17.4  | 16.00 | 13.00 |
| YCE24B21H     | TM9Y040A10MP11 | 14.5  | CF/CM/CU24A                | 750          | 23.2    | 16.0  | 14.50 | 12.00 |
| YCE24B21H     | TM9Y040A10MP11 | 14.5  | CF/CM/CU30A                | 775          | 24.0    | 16.6  | 15.00 | 12.50 |
| YCE24B21H     | TM9Y040A10MP11 | 14.5  | CF/CM36A                   | 775          | 24.0    | 16.6  | 15.25 | 12.25 |
| YCE24B21H     | TM9Y060B12MP11 | 17.5  | CF/CM/CU24B                | 750          | 23.4    | 16.2  | 15.50 | 12.75 |
| YCE24B21H     | TM9Y060B12MP11 | 17.5  | CF/CM/CU30B                | 750          | 24.0    | 16.4  | 15.75 | 12.75 |
| YCE24B21H     | TM9Y060B12MP11 | 17.5  | CF/CM/CU36B                | 750          | 24.0    | 16.4  | 16.00 | 13.00 |
| YCE24B21H     | TM9Y060B12MP11 | 17.5  | CF42B                      | 750          | 24.0    | 16.4  | 16.00 | 13.00 |
| YCE24B21H     | TM9Y080B12MP11 | 17.5  | CF/CM/CU24B                | 750          | 23.4    | 16.2  | 15.50 | 12.75 |
| YCE24B21H     | TM9Y080B12MP11 | 17.5  | CF/CM/CU30B                | 750          | 24.0    | 16.4  | 15.75 | 12.75 |
| YCE24B21H     | TM9Y080B12MP11 | 17.5  | CF/CM/CU36B                | 750          | 24.0    | 16.4  | 16.00 | 13.00 |
| YCE24B21H     | TM9Y080B12MP11 | 17.5  | CF42B                      | 750          | 24.0    | 16.4  | 16.00 | 13.00 |

For notes see Page 40.

**COOLING CAPACITY - With High Efficiency Motor Furnaces<sup>1</sup> (Continued)**

| UNIT<br>MODEL | FURNACE        |       | COIL<br>MODEL <sup>2</sup> | COOLING      |         |       |       |       |
|---------------|----------------|-------|----------------------------|--------------|---------|-------|-------|-------|
|               | MODEL          | WIDTH |                            | RATED<br>CFM | NET MBH |       | SEER  | EER   |
|               |                |       |                            |              | TOTAL   | SENS. |       |       |
| YCE24B21H     | TM9Y080C16MP11 | 21.0  | CF/CM/CU24C                | 750          | 23.6    | 16.4  | 15.75 | 13.00 |
| YCE24B21H     | TM9Y080C16MP11 | 21.0  | CF/CM/CU30C                | 750          | 24.0    | 16.6  | 16.00 | 13.00 |
| YCE24B21H     | TM9Y080C16MP11 | 21.0  | CF/CM/CU30D                | 775          | 24.0    | 16.8  | 16.00 | 13.00 |
| YCE24B21H     | TM9Y080C16MP11 | 21.0  | CF/CM/CU36C                | 750          | 24.0    | 16.4  | 16.00 | 13.00 |
| YCE24B21H     | TM9Y080C16MP11 | 21.0  | CF/CM/CU36D                | 775          | 24.0    | 16.6  | 16.00 | 13.00 |
| YCE24B21H     | TM9Y080C16MP11 | 21.0  | CF/CM/CU42C                | 750          | 24.0    | 16.4  | 16.00 | 13.00 |
| YCE24B21H     | TM9Y080C16MP11 | 21.0  | CF/CM/CU42D                | 775          | 24.0    | 16.4  | 16.00 | 13.00 |
| YCE24B21H     | TM9Y100C16MP11 | 21.0  | CF/CM/CU24C                | 750          | 23.6    | 16.4  | 15.75 | 13.00 |
| YCE24B21H     | TM9Y100C16MP11 | 21.0  | CF/CM/CU30C                | 750          | 24.0    | 16.6  | 16.00 | 13.00 |
| YCE24B21H     | TM9Y100C16MP11 | 21.0  | CF/CM/CU30D                | 775          | 24.0    | 16.8  | 16.00 | 13.00 |
| YCE24B21H     | TM9Y100C16MP11 | 21.0  | CF/CM/CU36C                | 750          | 24.0    | 16.4  | 16.00 | 13.00 |
| YCE24B21H     | TM9Y100C16MP11 | 21.0  | CF/CM/CU36D                | 775          | 24.0    | 16.6  | 16.00 | 13.00 |
| YCE24B21H     | TM9Y100C16MP11 | 21.0  | CF/CM/CU42C                | 750          | 24.0    | 16.4  | 16.00 | 13.00 |
| YCE24B21H     | TM9Y100C16MP11 | 21.0  | CF/CM/CU42D                | 775          | 24.0    | 16.4  | 16.00 | 13.00 |
| YCE24B21H     | TM9Y100C20MP11 | 21.0  | CF/CM/CU24C                | 825          | 23.8    | 17.0  | 15.25 | 12.25 |
| YCE24B21H     | TM9Y100C20MP11 | 21.0  | CF/CM/CU30C                | 825          | 24.0    | 17.0  | 15.50 | 12.50 |
| YCE24B21H     | TM9Y100C20MP11 | 21.0  | CF/CM/CU30D                | 825          | 24.0    | 17.0  | 15.50 | 12.50 |
| YCE24B21H     | TM9Y100C20MP11 | 21.0  | CF/CM/CU36C                | 825          | 24.0    | 17.0  | 15.50 | 12.75 |
| YCE24B21H     | TM9Y100C20MP11 | 21.0  | CF/CM/CU36D                | 825          | 24.0    | 17.0  | 15.50 | 12.75 |
| YCE24B21H     | TM9Y100C20MP11 | 21.0  | CF/CM/CU42C                | 825          | 24.0    | 16.8  | 15.50 | 12.75 |
| YCE24B21H     | TM9Y100C20MP11 | 21.0  | CF/CM/CU42D                | 825          | 24.0    | 16.8  | 15.75 | 12.75 |
| YCE24B21H     | TM9Y120D20MP11 | 24.5  | CF/CM/CU30D                | 825          | 24.0    | 17.2  | 15.75 | 12.75 |
| YCE24B21H     | TM9Y120D20MP11 | 24.5  | CF/CM/CU36D                | 800          | 24.0    | 16.8  | 15.75 | 12.75 |
| YCE24B21H     | TM9Y120D20MP11 | 24.5  | CF/CM/CU42D                | 800          | 24.0    | 16.6  | 15.75 | 12.75 |
| YCE24B21H     | TMLV060A12MP11 | 14.5  | CF/CM/CU24A                | 725          | 23.2    | 15.6  | 14.75 | 12.25 |
| YCE24B21H     | TMLV060A12MP11 | 14.5  | CF/CM/CU30A                | 725          | 23.4    | 16.0  | 15.25 | 12.50 |
| YCE24B21H     | TMLV060A12MP11 | 14.5  | CF/CM36A                   | 700          | 23.6    | 15.8  | 15.25 | 12.50 |
| YCE24B21H     | TMLV080B12MP11 | 17.5  | CF/CM/CU24B                | 850          | 24.0    | 17.2  | 15.25 | 12.50 |
| YCE24B21H     | TMLV080B12MP11 | 17.5  | CF/CM/CU30B                | 800          | 24.0    | 16.6  | 15.25 | 12.50 |
| YCE24B21H     | TMLV080B12MP11 | 17.5  | CF/CM/CU36B                | 675          | 23.4    | 15.2  | 15.25 | 12.50 |
| YCE24B21H     | TMLV080B12MP11 | 17.5  | CF42B                      | 850          | 24.0    | 17.0  | 15.75 | 12.75 |
| YCE24B21H     | TMLX060A12MP11 | 14.5  | CF/CM/CU24A                | 800          | 23.8    | 16.8  | 15.50 | 12.75 |
| YCE24B21H     | TMLX060A12MP11 | 14.5  | CF/CM/CU30A                | 800          | 24.0    | 16.8  | 16.00 | 13.00 |
| YCE24B21H     | TMLX060A12MP11 | 14.5  | CF/CM36A                   | 775          | 24.0    | 16.6  | 15.75 | 12.75 |
| YCE24B21H     | TMLX080B12MP11 | 17.5  | CF/CM/CU24B                | 800          | 23.8    | 16.8  | 15.50 | 12.75 |
| YCE24B21H     | TMLX080B12MP11 | 17.5  | CF/CM/CU30B                | 800          | 24.0    | 16.8  | 16.00 | 13.00 |
| YCE24B21H     | TMLX080B12MP11 | 17.5  | CF/CM/CU36B                | 800          | 24.0    | 16.8  | 16.00 | 13.00 |
| YCE24B21H     | TMLX080B12MP11 | 17.5  | CF42B                      | 800          | 24.0    | 16.6  | 16.00 | 13.00 |
| YCE24B21H     | TMLX080C16MP11 | 21.0  | CF/CM/CU24C                | 800          | 24.0    | 17.0  | 15.75 | 12.75 |
| YCE24B21H     | TMLX080C16MP11 | 21.0  | CF/CM/CU30C                | 800          | 24.0    | 16.8  | 16.00 | 13.00 |
| YCE24B21H     | TMLX080C16MP11 | 21.0  | CF/CM/CU30D                | 800          | 24.0    | 16.8  | 16.00 | 13.00 |
| YCE24B21H     | TMLX080C16MP11 | 21.0  | CF/CM/CU36C                | 800          | 24.0    | 16.8  | 16.00 | 13.00 |
| YCE24B21H     | TMLX080C16MP11 | 21.0  | CF/CM/CU36D                | 800          | 24.0    | 16.8  | 16.00 | 13.00 |
| YCE24B21H     | TMLX080C16MP11 | 21.0  | CF/CM/CU42C                | 800          | 24.0    | 16.8  | 16.00 | 13.00 |
| YCE24B21H     | TMLX080C16MP11 | 21.0  | CF/CM/CU42D                | 800          | 24.0    | 16.6  | 16.00 | 13.00 |
| YCE24B21H     | TMLX100C16MP11 | 21.0  | CF/CM/CU24C                | 800          | 24.0    | 17.0  | 15.75 | 12.75 |
| YCE24B21H     | TMLX100C16MP11 | 21.0  | CF/CM/CU30C                | 800          | 24.0    | 16.8  | 16.00 | 13.00 |
| YCE24B21H     | TMLX100C16MP11 | 21.0  | CF/CM/CU30D                | 800          | 24.0    | 16.8  | 16.00 | 13.00 |
| YCE24B21H     | TMLX100C16MP11 | 21.0  | CF/CM/CU36C                | 800          | 24.0    | 16.8  | 16.00 | 13.00 |

For notes see Page 40.

**COOLING CAPACITY - With High Efficiency Motor Furnaces<sup>1</sup> (Continued)**

| UNIT<br>MODEL | FURNACE        |       | COIL<br>MODEL <sup>2</sup> | COOLING      |         |       |       |       |
|---------------|----------------|-------|----------------------------|--------------|---------|-------|-------|-------|
|               | MODEL          | WIDTH |                            | RATED<br>CFM | NET MBH |       | SEER  | EER   |
|               |                |       |                            |              | TOTAL   | SENS. |       |       |
| YCE24B21H     | TMLX100C16MP11 | 21.0  | CF/CM/CU36D                | 800          | 24.0    | 16.8  | 16.00 | 13.00 |
| YCE24B21H     | TMLX100C16MP11 | 21.0  | CF/CM/CU42C                | 800          | 24.0    | 16.8  | 16.00 | 13.00 |
| YCE24B21H     | TMLX100C16MP11 | 21.0  | CF/CM/CU42D                | 800          | 24.0    | 16.6  | 16.00 | 13.00 |
| YCE24B21H     | TMLX100C20MP11 | 21.0  | CF/CM/CU30C                | 800          | 24.0    | 16.6  | 15.00 | 12.25 |
| YCE24B21H     | TMLX100C20MP11 | 21.0  | CF/CM/CU30D                | 825          | 24.0    | 17.2  | 15.00 | 12.25 |
| YCE24B21H     | TMLX100C20MP11 | 21.0  | CF/CM/CU36C                | 825          | 24.0    | 16.8  | 15.25 | 12.25 |
| YCE24B21H     | TMLX100C20MP11 | 21.0  | CF/CM/CU36D                | 825          | 24.0    | 17.0  | 15.25 | 12.25 |
| YCE24B21H     | TMLX100C20MP11 | 21.0  | CF/CM/CU42C                | 825          | 24.0    | 16.8  | 15.25 | 12.25 |
| YCE24B21H     | TMLX100C20MP11 | 21.0  | CF/CM/CU42D                | 825          | 24.0    | 16.8  | 15.25 | 12.25 |
| YCE24B21H     | TMLX120C20MP11 | 21.0  | CF/CM/CU30C                | 800          | 24.0    | 16.6  | 15.00 | 12.25 |
| YCE24B21H     | TMLX120C20MP11 | 21.0  | CF/CM/CU30D                | 825          | 24.0    | 17.2  | 15.00 | 12.25 |
| YCE24B21H     | TMLX120C20MP11 | 21.0  | CF/CM/CU36C                | 825          | 24.0    | 16.8  | 15.25 | 12.25 |
| YCE24B21H     | TMLX120C20MP11 | 21.0  | CF/CM/CU36D                | 825          | 24.0    | 17.0  | 15.25 | 12.25 |
| YCE24B21H     | TMLX120C20MP11 | 21.0  | CF/CM/CU42C                | 825          | 24.0    | 16.8  | 15.25 | 12.25 |
| YCE24B21H     | TMLX120C20MP11 | 21.0  | CF/CM/CU42D                | 825          | 24.0    | 16.8  | 15.25 | 12.25 |
| YCE24B21H     | TP9C060B12MP12 | 17.5  | CF/CM/CU24B                | 800          | 24.0    | 17.0  | 16.00 | 13.00 |
| YCE24B21H     | TP9C060B12MP12 | 17.5  | CF/CM/CU30B                | 650          | 23.2    | 15.2  | 15.25 | 12.50 |
| YCE24B21H     | TP9C060B12MP12 | 17.5  | CF/CM/CU36B                | 725          | 24.0    | 16.2  | 15.75 | 12.75 |
| YCE24B21H     | TP9C060B12MP12 | 17.5  | CF42B                      | 825          | 24.0    | 17.0  | 16.00 | 13.00 |
| YCE24B21H     | TP9C080B12MP12 | 17.5  | CF/CM/CU24B                | 800          | 24.0    | 17.0  | 16.00 | 13.00 |
| YCE24B21H     | TP9C080B12MP12 | 17.5  | CF/CM/CU30B                | 650          | 23.2    | 15.2  | 15.25 | 12.50 |
| YCE24B21H     | TP9C080B12MP12 | 17.5  | CF/CM/CU36B                | 725          | 24.0    | 16.2  | 15.75 | 12.75 |
| YCE24B21H     | TP9C080B12MP12 | 17.5  | CF42B                      | 825          | 24.0    | 17.0  | 16.00 | 13.00 |
| YCE24B21H     | TP9C080C16MP12 | 21.0  | CF/CM/CU36C                | 875          | 24.0    | 17.4  | 16.00 | 13.00 |
| YCE24B21H     | TP9C100C16MP12 | 21.0  | CF/CM/CU36C                | 875          | 24.0    | 17.4  | 16.00 | 13.00 |
| YCE24B21H     | TPLC060A12MP12 | 14.5  | CF/CM/CU24A                | 725          | 23.2    | 15.6  | 14.75 | 12.25 |
| YCE24B21H     | TPLC060A12MP12 | 14.5  | CF/CM/CU30A                | 725          | 23.4    | 16.0  | 15.25 | 12.50 |
| YCE24B21H     | TPLC060A12MP12 | 14.5  | CF/CM36A                   | 700          | 23.6    | 15.8  | 15.25 | 12.50 |
| YCE24B21H     | TPLC080B12MP12 | 17.5  | CF/CM/CU24B                | 850          | 24.0    | 17.2  | 15.25 | 12.50 |
| YCE24B21H     | TPLC080B12MP12 | 17.5  | CF/CM/CU30B                | 800          | 24.0    | 16.6  | 15.25 | 12.50 |
| YCE24B21H     | TPLC080B12MP12 | 17.5  | CF/CM/CU36B                | 675          | 23.4    | 15.2  | 15.25 | 12.50 |
| YCE24B21H     | TPLC080B12MP12 | 17.5  | CF42B                      | 850          | 24.0    | 17.0  | 15.75 | 12.75 |
| YCE24B21H     | YP9C060B12MP12 | 17.5  | CF/CM/CU24B                | 800          | 24.0    | 17.0  | 16.00 | 13.00 |
| YCE24B21H     | YP9C060B12MP12 | 17.5  | CF/CM/CU30B                | 650          | 23.2    | 15.2  | 15.25 | 12.50 |
| YCE24B21H     | YP9C060B12MP12 | 17.5  | CF/CM/CU36B                | 725          | 24.0    | 16.2  | 15.75 | 12.75 |
| YCE24B21H     | YP9C060B12MP12 | 17.5  | CF42B                      | 825          | 24.0    | 17.0  | 16.00 | 13.00 |
| YCE24B21H     | YP9C080B12MP12 | 17.5  | CF/CM/CU24B                | 800          | 24.0    | 17.0  | 16.00 | 13.00 |
| YCE24B21H     | YP9C080B12MP12 | 17.5  | CF/CM/CU30B                | 650          | 23.2    | 15.2  | 15.25 | 12.50 |
| YCE24B21H     | YP9C080B12MP12 | 17.5  | CF/CM/CU36B                | 725          | 24.0    | 16.2  | 15.75 | 12.75 |
| YCE24B21H     | YP9C080B12MP12 | 17.5  | CF42B                      | 825          | 24.0    | 17.0  | 16.00 | 13.00 |
| YCE24B21H     | YP9C080C16MP12 | 21.0  | CF/CM/CU36C                | 875          | 24.0    | 17.4  | 16.00 | 13.00 |
| YCE24B21H     | YP9C100C16MP12 | 21.0  | CF/CM/CU36C                | 875          | 24.0    | 17.4  | 16.00 | 13.00 |
| YCE24B21H     | YPLC060A12MP12 | 14.5  | CF/CM/CU24A                | 725          | 23.2    | 15.6  | 14.75 | 12.25 |
| YCE24B21H     | YPLC060A12MP12 | 14.5  | CF/CM/CU30A                | 725          | 23.4    | 16.0  | 15.25 | 12.50 |
| YCE24B21H     | YPLC060A12MP12 | 14.5  | CF/CM36A                   | 700          | 23.6    | 15.8  | 15.25 | 12.50 |
| YCE24B21H     | YPLC080B12MP12 | 17.5  | CF/CM/CU24B                | 850          | 24.0    | 17.2  | 15.25 | 12.50 |
| YCE24B21H     | YPLC080B12MP12 | 17.5  | CF/CM/CU30B                | 800          | 24.0    | 16.6  | 15.25 | 12.50 |
| YCE24B21H     | YPLC080B12MP12 | 17.5  | CF/CM/CU36B                | 675          | 23.4    | 15.2  | 15.25 | 12.50 |
| YCE24B21H     | YPLC080B12MP12 | 17.5  | CF42B                      | 850          | 24.0    | 17.0  | 15.75 | 12.75 |

For notes see Page 40.

**COOLING CAPACITY - With High Efficiency Motor Furnaces<sup>1</sup> (Continued)**

| UNIT<br>MODEL | FURNACE        |       | COIL<br>MODEL <sup>2</sup> | COOLING      |         |       |       |       |
|---------------|----------------|-------|----------------------------|--------------|---------|-------|-------|-------|
|               | MODEL          | WIDTH |                            | RATED<br>CFM | NET MBH |       | SEER  | EER   |
|               |                |       |                            |              | TOTAL   | SENS. |       |       |
| YCE30B21H     | TM8V060A12MP11 | 14.5  | CF/CM/CU30A                | 975          | 30.0    | 21.4  | 14.25 | 11.75 |
| YCE30B21H     | TM8V060A12MP11 | 14.5  | CF/CM36A                   | 875          | 29.8    | 20.2  | 14.50 | 12.00 |
| YCE30B21H     | TM8V080B12MP11 | 17.5  | CF/CM/CU36B                | 975          | 30.0    | 21.2  | 14.50 | 12.00 |
| YCE30B21H     | TM8V080B12MP11 | 17.5  | CF42B                      | 850          | 29.4    | 20.0  | 14.75 | 12.25 |
| YCE30B21H     | TM8V080C16MP11 | 21.0  | CF/CM/CU30C                | 950          | 30.0    | 21.0  | 15.00 | 12.50 |
| YCE30B21H     | TM8V080C16MP11 | 21.0  | CF/CM/CU36C                | 1100         | 30.0    | 22.4  | 15.25 | 12.50 |
| YCE30B21H     | TM8V080C16MP11 | 21.0  | CF/CM/CU42C                | 925          | 30.0    | 20.8  | 15.25 | 12.50 |
| YCE30B21H     | TM8V100C16MP11 | 21.0  | CF/CM/CU30C                | 950          | 30.0    | 21.0  | 15.00 | 12.50 |
| YCE30B21H     | TM8V100C16MP11 | 21.0  | CF/CM/CU36C                | 1100         | 30.0    | 22.4  | 15.25 | 12.50 |
| YCE30B21H     | TM8V100C16MP11 | 21.0  | CF/CM/CU42C                | 925          | 30.0    | 20.8  | 15.25 | 12.50 |
| YCE30B21H     | TM8V100C20MP11 | 21.0  | CF/CM/CU36C                | 1100         | 30.0    | 22.2  | 15.00 | 12.50 |
| YCE30B21H     | TM8V100C20MP11 | 21.0  | CF/CM/CU42C                | 1100         | 30.0    | 22.2  | 15.00 | 12.50 |
| YCE30B21H     | TM8V120C20MP11 | 21.0  | CF/CM/CU36C                | 1100         | 30.0    | 22.2  | 15.00 | 12.50 |
| YCE30B21H     | TM8V120C20MP11 | 21.0  | CF/CM/CU42C                | 1100         | 30.0    | 22.2  | 15.00 | 12.50 |
| YCE30B21H     | TM8X060A12MP11 | 14.5  | CF/CM/CU30A                | 1000         | 30.0    | 21.6  | 14.75 | 12.00 |
| YCE30B21H     | TM8X060A12MP11 | 14.5  | CF/CM36A                   | 975          | 30.0    | 21.2  | 14.75 | 12.25 |
| YCE30B21H     | TM8X080B12MP11 | 17.5  | CF/CM/CU30B                | 1000         | 30.0    | 21.6  | 14.75 | 12.00 |
| YCE30B21H     | TM8X080B12MP11 | 17.5  | CF/CM/CU36B                | 1000         | 30.0    | 21.4  | 15.00 | 12.50 |
| YCE30B21H     | TM8X080B12MP11 | 17.5  | CF42B                      | 1000         | 30.0    | 21.2  | 14.75 | 12.25 |
| YCE30B21H     | TM8X080C16MP11 | 21.0  | CF/CM/CU30C                | 1050         | 30.0    | 22.0  | 15.25 | 12.50 |
| YCE30B21H     | TM8X080C16MP11 | 21.0  | CF/CM/CU30D                | 1075         | 30.0    | 22.0  | 15.50 | 12.75 |
| YCE30B21H     | TM8X080C16MP11 | 21.0  | CF/CM/CU36C                | 1050         | 30.0    | 21.8  | 15.50 | 12.75 |
| YCE30B21H     | TM8X080C16MP11 | 21.0  | CF/CM/CU36D                | 1075         | 30.0    | 22.0  | 15.75 | 12.75 |
| YCE30B21H     | TM8X080C16MP11 | 21.0  | CF/CM/CU42C                | 1050         | 30.0    | 22.0  | 15.50 | 12.75 |
| YCE30B21H     | TM8X080C16MP11 | 21.0  | CF/CM/CU42D                | 1075         | 30.0    | 22.0  | 15.75 | 12.75 |
| YCE30B21H     | TM8X100C16MP11 | 21.0  | CF/CM/CU30C                | 1050         | 30.0    | 22.0  | 15.25 | 12.50 |
| YCE30B21H     | TM8X100C16MP11 | 21.0  | CF/CM/CU30D                | 1075         | 30.0    | 22.0  | 15.50 | 12.75 |
| YCE30B21H     | TM8X100C16MP11 | 21.0  | CF/CM/CU36C                | 1050         | 30.0    | 21.8  | 15.50 | 12.75 |
| YCE30B21H     | TM8X100C16MP11 | 21.0  | CF/CM/CU36D                | 1075         | 30.0    | 22.0  | 15.75 | 12.75 |
| YCE30B21H     | TM8X100C16MP11 | 21.0  | CF/CM/CU42C                | 1050         | 30.0    | 22.0  | 15.50 | 12.75 |
| YCE30B21H     | TM8X100C16MP11 | 21.0  | CF/CM/CU42D                | 1075         | 30.0    | 22.0  | 15.75 | 12.75 |
| YCE30B21H     | TM8X100C20MP11 | 21.0  | CF/CM/CU30C                | 1075         | 30.0    | 22.0  | 15.25 | 12.50 |
| YCE30B21H     | TM8X100C20MP11 | 21.0  | CF/CM/CU30D                | 1050         | 30.0    | 22.0  | 15.25 | 12.50 |
| YCE30B21H     | TM8X100C20MP11 | 21.0  | CF/CM/CU36C                | 1075         | 30.0    | 22.0  | 15.75 | 12.75 |
| YCE30B21H     | TM8X100C20MP11 | 21.0  | CF/CM/CU36D                | 1100         | 30.0    | 22.4  | 15.75 | 12.75 |
| YCE30B21H     | TM8X100C20MP11 | 21.0  | CF/CM/CU42C                | 1075         | 30.0    | 22.0  | 15.75 | 12.75 |
| YCE30B21H     | TM8X100C20MP11 | 21.0  | CF/CM/CU42D                | 1100         | 30.0    | 22.2  | 15.75 | 12.75 |
| YCE30B21H     | TM8X120C20MP11 | 21.0  | CF/CM/CU30C                | 1075         | 30.0    | 22.0  | 15.25 | 12.50 |
| YCE30B21H     | TM8X120C20MP11 | 21.0  | CF/CM/CU30D                | 1050         | 30.0    | 22.0  | 15.25 | 12.50 |
| YCE30B21H     | TM8X120C20MP11 | 21.0  | CF/CM/CU36C                | 1075         | 30.0    | 22.0  | 15.75 | 12.75 |
| YCE30B21H     | TM8X120C20MP11 | 21.0  | CF/CM/CU36D                | 1100         | 30.0    | 22.4  | 15.75 | 12.75 |
| YCE30B21H     | TM8X120C20MP11 | 21.0  | CF/CM/CU42C                | 1075         | 30.0    | 22.0  | 15.75 | 12.75 |
| YCE30B21H     | TM8X120C20MP11 | 21.0  | CF/CM/CU42D                | 1100         | 30.0    | 22.2  | 15.75 | 12.75 |
| YCE30B21H     | TM8Y060A12MP11 | 14.5  | CF/CM/CU30A                | 1000         | 30.0    | 21.6  | 14.75 | 12.00 |
| YCE30B21H     | TM8Y060A12MP11 | 14.5  | CF/CM36A                   | 975          | 30.0    | 21.2  | 14.75 | 12.25 |
| YCE30B21H     | TM8Y080B12MP11 | 17.5  | CF/CM/CU30B                | 1000         | 30.0    | 21.6  | 14.75 | 12.00 |
| YCE30B21H     | TM8Y080B12MP11 | 17.5  | CF/CM/CU36B                | 1000         | 30.0    | 21.4  | 15.00 | 12.50 |
| YCE30B21H     | TM8Y080B12MP11 | 17.5  | CF42B                      | 1000         | 30.0    | 21.2  | 14.75 | 12.25 |
| YCE30B21H     | TM8Y080C16MP11 | 21.0  | CF/CM/CU30C                | 1050         | 30.0    | 22.0  | 15.25 | 12.50 |

For notes see Page 40.

**COOLING CAPACITY - With High Efficiency Motor Furnaces<sup>1</sup> (Continued)**

| UNIT<br>MODEL | FURNACE        |       | COIL<br>MODEL <sup>2</sup> | COOLING      |         |       |       |       |
|---------------|----------------|-------|----------------------------|--------------|---------|-------|-------|-------|
|               | MODEL          | WIDTH |                            | RATED<br>CFM | NET MBH |       | SEER  | EER   |
|               |                |       |                            |              | TOTAL   | SENS. |       |       |
| YCE30B21H     | TM8Y080C16MP11 | 21.0  | CF/CM/CU30D                | 1075         | 30.0    | 22.0  | 15.50 | 12.75 |
| YCE30B21H     | TM8Y080C16MP11 | 21.0  | CF/CM/CU36C                | 1050         | 30.0    | 21.8  | 15.50 | 12.75 |
| YCE30B21H     | TM8Y080C16MP11 | 21.0  | CF/CM/CU36D                | 1075         | 30.0    | 22.0  | 15.75 | 12.75 |
| YCE30B21H     | TM8Y080C16MP11 | 21.0  | CF/CM/CU42C                | 1050         | 30.0    | 22.0  | 15.50 | 12.75 |
| YCE30B21H     | TM8Y080C16MP11 | 21.0  | CF/CM/CU42D                | 1075         | 30.0    | 22.0  | 15.75 | 12.75 |
| YCE30B21H     | TM8Y100C16MP11 | 21.0  | CF/CM/CU30C                | 1050         | 30.0    | 22.0  | 15.25 | 12.50 |
| YCE30B21H     | TM8Y100C16MP11 | 21.0  | CF/CM/CU30D                | 1075         | 30.0    | 22.0  | 15.50 | 12.75 |
| YCE30B21H     | TM8Y100C16MP11 | 21.0  | CF/CM/CU36C                | 1050         | 30.0    | 21.8  | 15.50 | 12.75 |
| YCE30B21H     | TM8Y100C16MP11 | 21.0  | CF/CM/CU36D                | 1075         | 30.0    | 22.0  | 15.75 | 12.75 |
| YCE30B21H     | TM8Y100C16MP11 | 21.0  | CF/CM/CU42C                | 1050         | 30.0    | 22.0  | 15.50 | 12.75 |
| YCE30B21H     | TM8Y100C16MP11 | 21.0  | CF/CM/CU42D                | 1075         | 30.0    | 22.0  | 15.75 | 12.75 |
| YCE30B21H     | TM8Y100C20MP11 | 21.0  | CF/CM/CU30C                | 1075         | 30.0    | 22.0  | 15.25 | 12.50 |
| YCE30B21H     | TM8Y100C20MP11 | 21.0  | CF/CM/CU30D                | 1050         | 30.0    | 22.0  | 15.25 | 12.50 |
| YCE30B21H     | TM8Y100C20MP11 | 21.0  | CF/CM/CU36C                | 1075         | 30.0    | 22.0  | 15.75 | 12.75 |
| YCE30B21H     | TM8Y100C20MP11 | 21.0  | CF/CM/CU36D                | 1100         | 30.0    | 22.4  | 15.75 | 12.75 |
| YCE30B21H     | TM8Y100C20MP11 | 21.0  | CF/CM/CU42C                | 1075         | 30.0    | 22.0  | 15.75 | 12.75 |
| YCE30B21H     | TM8Y100C20MP11 | 21.0  | CF/CM/CU42D                | 1100         | 30.0    | 22.2  | 15.75 | 12.75 |
| YCE30B21H     | TM8Y120C20MP11 | 21.0  | CF/CM/CU30C                | 1075         | 30.0    | 22.0  | 15.25 | 12.50 |
| YCE30B21H     | TM8Y120C20MP11 | 21.0  | CF/CM/CU30D                | 1050         | 30.0    | 22.0  | 15.25 | 12.50 |
| YCE30B21H     | TM8Y120C20MP11 | 21.0  | CF/CM/CU36C                | 1075         | 30.0    | 22.0  | 15.75 | 12.75 |
| YCE30B21H     | TM8Y120C20MP11 | 21.0  | CF/CM/CU36D                | 1100         | 30.0    | 22.4  | 15.75 | 12.75 |
| YCE30B21H     | TM8Y120C20MP11 | 21.0  | CF/CM/CU42C                | 1075         | 30.0    | 22.0  | 15.75 | 12.75 |
| YCE30B21H     | TM8Y120C20MP11 | 21.0  | CF/CM/CU42D                | 1100         | 30.0    | 22.2  | 15.75 | 12.75 |
| YCE30B21H     | TM9E040A10MP11 | 14.5  | CF/CM/CU30A                | 875          | 29.4    | 20.2  | 14.00 | 11.50 |
| YCE30B21H     | TM9E040A10MP11 | 14.5  | CF/CM36A                   | 875          | 29.8    | 20.2  | 14.25 | 11.75 |
| YCE30B21H     | TM9E060B12MP11 | 17.5  | CF/CM/CU30B                | 900          | 29.8    | 20.8  | 14.75 | 12.25 |
| YCE30B21H     | TM9E060B12MP11 | 17.5  | CF/CM/CU36B                | 900          | 30.0    | 20.6  | 15.00 | 12.50 |
| YCE30B21H     | TM9E060B12MP11 | 17.5  | CF42B                      | 900          | 30.0    | 20.6  | 15.00 | 12.50 |
| YCE30B21H     | TM9E080B12MP11 | 17.5  | CF/CM/CU30B                | 900          | 29.8    | 20.8  | 14.75 | 12.25 |
| YCE30B21H     | TM9E080B12MP11 | 17.5  | CF/CM/CU36B                | 900          | 30.0    | 20.6  | 15.00 | 12.50 |
| YCE30B21H     | TM9E080B12MP11 | 17.5  | CF42B                      | 900          | 30.0    | 20.6  | 15.00 | 12.50 |
| YCE30B21H     | TM9E080C16MP11 | 21.0  | CF/CM/CU30C                | 1075         | 30.0    | 22.0  | 15.00 | 12.50 |
| YCE30B21H     | TM9E080C16MP11 | 21.0  | CF/CM/CU30D                | 1050         | 30.0    | 21.8  | 15.00 | 12.50 |
| YCE30B21H     | TM9E080C16MP11 | 21.0  | CF/CM/CU36C                | 1025         | 30.0    | 21.6  | 15.00 | 12.50 |
| YCE30B21H     | TM9E080C16MP11 | 21.0  | CF/CM/CU42C                | 1000         | 30.0    | 21.2  | 15.25 | 12.50 |
| YCE30B21H     | TM9E100C16MP11 | 21.0  | CF/CM/CU30C                | 1075         | 30.0    | 22.0  | 15.00 | 12.50 |
| YCE30B21H     | TM9E100C16MP11 | 21.0  | CF/CM/CU30D                | 1050         | 30.0    | 21.8  | 15.00 | 12.50 |
| YCE30B21H     | TM9E100C16MP11 | 21.0  | CF/CM/CU36C                | 1025         | 30.0    | 21.6  | 15.00 | 12.50 |
| YCE30B21H     | TM9E100C16MP11 | 21.0  | CF/CM/CU42C                | 1000         | 30.0    | 21.2  | 15.25 | 12.50 |
| YCE30B21H     | TM9E100C20MP11 | 21.0  | CF/CM/CU30C                | 975          | 30.0    | 21.6  | 15.50 | 12.75 |
| YCE30B21H     | TM9E100C20MP11 | 21.0  | CF/CM/CU36C                | 975          | 30.0    | 21.2  | 15.75 | 12.75 |
| YCE30B21H     | TM9E100C20MP11 | 21.0  | CF/CM/CU42C                | 975          | 30.0    | 21.2  | 15.75 | 12.75 |
| YCE30B21H     | TM9E120D20MP11 | 24.5  | CF/CM/CU30D                | 975          | 30.0    | 21.6  | 15.75 | 12.75 |
| YCE30B21H     | TM9E120D20MP11 | 24.5  | CF/CM/CU36D                | 975          | 30.0    | 21.2  | 16.00 | 13.00 |
| YCE30B21H     | TM9E120D20MP11 | 24.5  | CF/CM/CU42D                | 975          | 30.0    | 21.2  | 16.00 | 13.00 |
| YCE30B21H     | TM9V060B12MP11 | 17.5  | CF/CM/CU30B                | 825          | 29.6    | 19.6  | 14.75 | 12.25 |
| YCE30B21H     | TM9V060B12MP11 | 17.5  | CF/CM/CU36B                | 950          | 30.0    | 21.0  | 15.00 | 12.25 |
| YCE30B21H     | TM9V060B12MP11 | 17.5  | CF42B                      | 925          | 30.0    | 20.8  | 15.25 | 12.75 |
| YCE30B21H     | TM9V080B12MP11 | 17.5  | CF/CM/CU30B                | 825          | 29.6    | 19.6  | 14.75 | 12.25 |

For notes see Page 40.

**COOLING CAPACITY - With High Efficiency Motor Furnaces<sup>1</sup> (Continued)**

| UNIT<br>MODEL | FURNACE        |       | COIL<br>MODEL <sup>2</sup> | COOLING      |         |       |       |       |
|---------------|----------------|-------|----------------------------|--------------|---------|-------|-------|-------|
|               | MODEL          | WIDTH |                            | RATED<br>CFM | NET MBH |       | SEER  | EER   |
|               |                |       |                            |              | TOTAL   | SENS. |       |       |
| YCE30B21H     | TM9V080B12MP11 | 17.5  | CF/CM/CU36B                | 950          | 30.0    | 21.0  | 15.00 | 12.25 |
| YCE30B21H     | TM9V080B12MP11 | 17.5  | CF42B                      | 925          | 30.0    | 20.8  | 15.25 | 12.75 |
| YCE30B21H     | TM9V080C16MP11 | 21.0  | CF/CM/CU30C                | 950          | 30.0    | 21.0  | 15.50 | 12.75 |
| YCE30B21H     | TM9V080C16MP11 | 21.0  | CF/CM/CU36C                | 975          | 30.0    | 21.2  | 15.50 | 12.75 |
| YCE30B21H     | TM9V080C16MP11 | 21.0  | CF/CM/CU42C                | 975          | 30.0    | 21.2  | 15.75 | 12.75 |
| YCE30B21H     | TM9V100C16MP11 | 21.0  | CF/CM/CU30C                | 950          | 30.0    | 21.0  | 15.50 | 12.75 |
| YCE30B21H     | TM9V100C16MP11 | 21.0  | CF/CM/CU36C                | 975          | 30.0    | 21.2  | 15.50 | 12.75 |
| YCE30B21H     | TM9V100C16MP11 | 21.0  | CF/CM/CU42C                | 975          | 30.0    | 21.2  | 15.75 | 12.75 |
| YCE30B21H     | TM9V100C20MP11 | 21.0  | CF/CM/CU30C                | 1075         | 30.0    | 21.8  | 15.00 | 12.50 |
| YCE30B21H     | TM9V100C20MP11 | 21.0  | CF/CM/CU36C                | 1075         | 30.0    | 22.0  | 15.25 | 12.25 |
| YCE30B21H     | TM9V120D20MP11 | 24.5  | CF/CM/CU36D                | 1125         | 30.0    | 22.4  | 16.00 | 13.00 |
| YCE30B21H     | TM9V120D20MP11 | 24.5  | CF/CM/CU42D                | 1125         | 30.0    | 22.4  | 15.50 | 12.75 |
| YCE30B21H     | TM9Y040A10MP11 | 14.5  | CF/CM/CU30A                | 875          | 29.4    | 20.2  | 14.00 | 11.50 |
| YCE30B21H     | TM9Y040A10MP11 | 14.5  | CF/CM36A                   | 875          | 29.8    | 20.2  | 14.25 | 11.75 |
| YCE30B21H     | TM9Y060B12MP11 | 17.5  | CF/CM/CU30B                | 900          | 29.8    | 20.8  | 14.75 | 12.25 |
| YCE30B21H     | TM9Y060B12MP11 | 17.5  | CF/CM/CU36B                | 900          | 30.0    | 20.6  | 15.00 | 12.50 |
| YCE30B21H     | TM9Y060B12MP11 | 17.5  | CF42B                      | 900          | 30.0    | 20.6  | 15.00 | 12.50 |
| YCE30B21H     | TM9Y080B12MP11 | 17.5  | CF/CM/CU30B                | 900          | 29.8    | 20.8  | 14.75 | 12.25 |
| YCE30B21H     | TM9Y080B12MP11 | 17.5  | CF/CM/CU36B                | 900          | 30.0    | 20.6  | 15.00 | 12.50 |
| YCE30B21H     | TM9Y080B12MP11 | 17.5  | CF42B                      | 900          | 30.0    | 20.6  | 15.00 | 12.50 |
| YCE30B21H     | TM9Y080C16MP11 | 21.0  | CF/CM/CU30C                | 1075         | 30.0    | 22.0  | 15.00 | 12.50 |
| YCE30B21H     | TM9Y080C16MP11 | 21.0  | CF/CM/CU30D                | 1050         | 30.0    | 21.8  | 15.00 | 12.50 |
| YCE30B21H     | TM9Y080C16MP11 | 21.0  | CF/CM/CU36C                | 1025         | 30.0    | 21.6  | 15.00 | 12.50 |
| YCE30B21H     | TM9Y080C16MP11 | 21.0  | CF/CM/CU42C                | 1000         | 30.0    | 21.2  | 15.25 | 12.50 |
| YCE30B21H     | TM9Y100C16MP11 | 21.0  | CF/CM/CU30C                | 1075         | 30.0    | 22.0  | 15.00 | 12.50 |
| YCE30B21H     | TM9Y100C16MP11 | 21.0  | CF/CM/CU30D                | 1050         | 30.0    | 21.8  | 15.00 | 12.50 |
| YCE30B21H     | TM9Y100C16MP11 | 21.0  | CF/CM/CU36C                | 1025         | 30.0    | 21.6  | 15.00 | 12.50 |
| YCE30B21H     | TM9Y100C16MP11 | 21.0  | CF/CM/CU42C                | 1000         | 30.0    | 21.2  | 15.25 | 12.50 |
| YCE30B21H     | TM9Y100C20MP11 | 21.0  | CF/CM/CU30C                | 975          | 30.0    | 21.6  | 15.50 | 12.75 |
| YCE30B21H     | TM9Y100C20MP11 | 21.0  | CF/CM/CU36C                | 975          | 30.0    | 21.2  | 15.75 | 12.75 |
| YCE30B21H     | TM9Y100C20MP11 | 21.0  | CF/CM/CU42C                | 975          | 30.0    | 21.2  | 15.75 | 12.75 |
| YCE30B21H     | TM9Y120D20MP11 | 24.5  | CF/CM/CU30D                | 975          | 30.0    | 21.6  | 15.75 | 12.75 |
| YCE30B21H     | TM9Y120D20MP11 | 24.5  | CF/CM/CU36D                | 975          | 30.0    | 21.2  | 16.00 | 13.00 |
| YCE30B21H     | TM9Y120D20MP11 | 24.5  | CF/CM/CU42D                | 975          | 30.0    | 21.2  | 16.00 | 13.00 |
| YCE30B21H     | TMLV060A12MP11 | 14.5  | CF/CM/CU30A                | 975          | 30.0    | 21.4  | 14.25 | 11.75 |
| YCE30B21H     | TMLV060A12MP11 | 14.5  | CF/CM36A                   | 875          | 29.8    | 20.2  | 14.50 | 12.00 |
| YCE30B21H     | TMLV080B12MP11 | 17.5  | CF/CM/CU36B                | 975          | 30.0    | 21.2  | 14.50 | 12.00 |
| YCE30B21H     | TMLV080B12MP11 | 17.5  | CF42B                      | 850          | 29.4    | 20.0  | 14.75 | 12.25 |
| YCE30B21H     | TMLV080C16MP11 | 21.0  | CF/CM/CU30C                | 950          | 30.0    | 21.0  | 15.00 | 12.50 |
| YCE30B21H     | TMLV080C16MP11 | 21.0  | CF/CM/CU36C                | 1100         | 30.0    | 22.4  | 15.25 | 12.50 |
| YCE30B21H     | TMLV080C16MP11 | 21.0  | CF/CM/CU42C                | 925          | 30.0    | 20.8  | 15.25 | 12.50 |
| YCE30B21H     | TMLV100C16MP11 | 21.0  | CF/CM/CU30C                | 950          | 30.0    | 21.0  | 15.00 | 12.50 |
| YCE30B21H     | TMLV100C16MP11 | 21.0  | CF/CM/CU36C                | 1100         | 30.0    | 22.4  | 15.25 | 12.50 |
| YCE30B21H     | TMLV100C16MP11 | 21.0  | CF/CM/CU42C                | 925          | 30.0    | 20.8  | 15.25 | 12.50 |
| YCE30B21H     | TMLV100C20MP11 | 21.0  | CF/CM/CU36C                | 1100         | 30.0    | 22.2  | 15.00 | 12.50 |
| YCE30B21H     | TMLV100C20MP11 | 21.0  | CF/CM/CU42C                | 1100         | 30.0    | 22.2  | 15.00 | 12.50 |
| YCE30B21H     | TMLV120C20MP11 | 21.0  | CF/CM/CU36C                | 1100         | 30.0    | 22.2  | 15.00 | 12.50 |
| YCE30B21H     | TMLV120C20MP11 | 21.0  | CF/CM/CU42C                | 1100         | 30.0    | 22.2  | 15.00 | 12.50 |
| YCE30B21H     | TMLX060A12MP11 | 14.5  | CF/CM/CU30A                | 1000         | 30.0    | 21.6  | 14.75 | 12.00 |

For notes see Page 40.

**COOLING CAPACITY - With High Efficiency Motor Furnaces<sup>1</sup> (Continued)**

| UNIT<br>MODEL | FURNACE        |       | COIL<br>MODEL <sup>2</sup> | COOLING      |         |       |       |       |
|---------------|----------------|-------|----------------------------|--------------|---------|-------|-------|-------|
|               | MODEL          | WIDTH |                            | RATED<br>CFM | NET MBH |       | SEER  | EER   |
|               |                |       |                            |              | TOTAL   | SENS. |       |       |
| YCE30B21H     | TMLX060A12MP11 | 14.5  | CF/CM36A                   | 975          | 30.0    | 21.2  | 14.75 | 12.25 |
| YCE30B21H     | TMLX080B12MP11 | 17.5  | CF/CM/CU30B                | 1000         | 30.0    | 21.6  | 14.75 | 12.00 |
| YCE30B21H     | TMLX080B12MP11 | 17.5  | CF/CM/CU36B                | 1000         | 30.0    | 21.4  | 15.00 | 12.50 |
| YCE30B21H     | TMLX080B12MP11 | 17.5  | CF42B                      | 1000         | 30.0    | 21.2  | 14.75 | 12.25 |
| YCE30B21H     | TMLX080C16MP11 | 21.0  | CF/CM/CU30C                | 1050         | 30.0    | 22.0  | 15.25 | 12.50 |
| YCE30B21H     | TMLX080C16MP11 | 21.0  | CF/CM/CU30D                | 1075         | 30.0    | 22.0  | 15.50 | 12.75 |
| YCE30B21H     | TMLX080C16MP11 | 21.0  | CF/CM/CU36C                | 1050         | 30.0    | 21.8  | 15.50 | 12.75 |
| YCE30B21H     | TMLX080C16MP11 | 21.0  | CF/CM/CU36D                | 1075         | 30.0    | 22.0  | 15.75 | 12.75 |
| YCE30B21H     | TMLX080C16MP11 | 21.0  | CF/CM/CU42C                | 1050         | 30.0    | 22.0  | 15.50 | 12.75 |
| YCE30B21H     | TMLX080C16MP11 | 21.0  | CF/CM/CU42D                | 1075         | 30.0    | 22.0  | 15.75 | 12.75 |
| YCE30B21H     | TMLX100C16MP11 | 21.0  | CF/CM/CU30C                | 1050         | 30.0    | 22.0  | 15.25 | 12.50 |
| YCE30B21H     | TMLX100C16MP11 | 21.0  | CF/CM/CU30D                | 1075         | 30.0    | 22.0  | 15.50 | 12.75 |
| YCE30B21H     | TMLX100C16MP11 | 21.0  | CF/CM/CU36C                | 1050         | 30.0    | 21.8  | 15.50 | 12.75 |
| YCE30B21H     | TMLX100C16MP11 | 21.0  | CF/CM/CU36D                | 1075         | 30.0    | 22.0  | 15.75 | 12.75 |
| YCE30B21H     | TMLX100C16MP11 | 21.0  | CF/CM/CU42C                | 1050         | 30.0    | 22.0  | 15.50 | 12.75 |
| YCE30B21H     | TMLX100C16MP11 | 21.0  | CF/CM/CU42D                | 1075         | 30.0    | 22.0  | 15.75 | 12.75 |
| YCE30B21H     | TMLX100C20MP11 | 21.0  | CF/CM/CU30C                | 1075         | 30.0    | 22.0  | 15.25 | 12.50 |
| YCE30B21H     | TMLX100C20MP11 | 21.0  | CF/CM/CU30D                | 1050         | 30.0    | 22.0  | 15.25 | 12.50 |
| YCE30B21H     | TMLX100C20MP11 | 21.0  | CF/CM/CU36C                | 1075         | 30.0    | 22.0  | 15.75 | 12.75 |
| YCE30B21H     | TMLX100C20MP11 | 21.0  | CF/CM/CU36D                | 1100         | 30.0    | 22.4  | 15.75 | 12.75 |
| YCE30B21H     | TMLX100C20MP11 | 21.0  | CF/CM/CU42C                | 1075         | 30.0    | 22.0  | 15.75 | 12.75 |
| YCE30B21H     | TMLX100C20MP11 | 21.0  | CF/CM/CU42D                | 1100         | 30.0    | 22.2  | 15.75 | 12.75 |
| YCE30B21H     | TMLX120C20MP11 | 21.0  | CF/CM/CU30C                | 1075         | 30.0    | 22.0  | 15.25 | 12.50 |
| YCE30B21H     | TMLX120C20MP11 | 21.0  | CF/CM/CU30D                | 1050         | 30.0    | 22.0  | 15.25 | 12.50 |
| YCE30B21H     | TMLX120C20MP11 | 21.0  | CF/CM/CU36C                | 1075         | 30.0    | 22.0  | 15.75 | 12.75 |
| YCE30B21H     | TMLX120C20MP11 | 21.0  | CF/CM/CU36D                | 1100         | 30.0    | 22.4  | 15.75 | 12.75 |
| YCE30B21H     | TMLX120C20MP11 | 21.0  | CF/CM/CU42C                | 1075         | 30.0    | 22.0  | 15.75 | 12.75 |
| YCE30B21H     | TMLX120C20MP11 | 21.0  | CF/CM/CU42D                | 1100         | 30.0    | 22.2  | 15.75 | 12.75 |
| YCE30B21H     | TP9C060B12MP12 | 17.5  | CF/CM/CU30B                | 825          | 29.6    | 19.6  | 14.75 | 12.25 |
| YCE30B21H     | TP9C060B12MP12 | 17.5  | CF/CM/CU36B                | 950          | 30.0    | 21.0  | 15.00 | 12.25 |
| YCE30B21H     | TP9C060B12MP12 | 17.5  | CF42B                      | 925          | 30.0    | 20.8  | 15.25 | 12.75 |
| YCE30B21H     | TP9C080B12MP12 | 17.5  | CF/CM/CU30B                | 825          | 29.6    | 19.6  | 14.75 | 12.25 |
| YCE30B21H     | TP9C080B12MP12 | 17.5  | CF/CM/CU36B                | 950          | 30.0    | 21.0  | 15.00 | 12.25 |
| YCE30B21H     | TP9C080B12MP12 | 17.5  | CF42B                      | 925          | 30.0    | 20.8  | 15.25 | 12.75 |
| YCE30B21H     | TP9C080C16MP12 | 21.0  | CF/CM/CU30C                | 950          | 30.0    | 21.0  | 15.50 | 12.75 |
| YCE30B21H     | TP9C080C16MP12 | 21.0  | CF/CM/CU36C                | 975          | 30.0    | 21.2  | 15.50 | 12.75 |
| YCE30B21H     | TP9C080C16MP12 | 21.0  | CF/CM/CU42C                | 975          | 30.0    | 21.2  | 15.75 | 12.75 |
| YCE30B21H     | TP9C100C16MP12 | 21.0  | CF/CM/CU30C                | 950          | 30.0    | 21.0  | 15.50 | 12.75 |
| YCE30B21H     | TP9C100C16MP12 | 21.0  | CF/CM/CU36C                | 975          | 30.0    | 21.2  | 15.50 | 12.75 |
| YCE30B21H     | TP9C100C16MP12 | 21.0  | CF/CM/CU42C                | 975          | 30.0    | 21.2  | 15.75 | 12.75 |
| YCE30B21H     | TP9C100C20MP12 | 21.0  | CF/CM/CU30C                | 1075         | 30.0    | 21.8  | 15.00 | 12.50 |
| YCE30B21H     | TP9C100C20MP12 | 21.0  | CF/CM/CU36C                | 1075         | 30.0    | 22.0  | 15.25 | 12.25 |
| YCE30B21H     | TP9C120D20MP12 | 21.0  | CF/CM/CU36D                | 1125         | 30.0    | 22.4  | 16.00 | 13.00 |
| YCE30B21H     | TP9C120D20MP12 | 21.0  | CF/CM/CU42D                | 1125         | 30.0    | 22.4  | 15.50 | 12.75 |
| YCE30B21H     | TPLC060A12MP12 | 14.5  | CF/CM/CU30A                | 975          | 30.0    | 21.4  | 14.25 | 11.75 |
| YCE30B21H     | TPLC060A12MP12 | 14.5  | CF/CM36A                   | 875          | 29.8    | 20.2  | 14.50 | 12.00 |
| YCE30B21H     | TPLC080B12MP12 | 17.5  | CF/CM/CU36B                | 975          | 30.0    | 21.2  | 14.50 | 12.00 |
| YCE30B21H     | TPLC080B12MP12 | 17.5  | CF42B                      | 850          | 29.4    | 20.0  | 14.75 | 12.25 |
| YCE30B21H     | TPLC080C16MP12 | 21.0  | CF/CM/CU30C                | 950          | 30.0    | 21.0  | 15.00 | 12.50 |

For notes see Page 40.



**COOLING CAPACITY - With High Efficiency Motor Furnaces<sup>1</sup> (Continued)**

| UNIT<br>MODEL | FURNACE        |       | COIL<br>MODEL <sup>2</sup> | COOLING      |         |       |       |       |
|---------------|----------------|-------|----------------------------|--------------|---------|-------|-------|-------|
|               | MODEL          | WIDTH |                            | RATED<br>CFM | NET MBH |       | SEER  | EER   |
|               |                |       |                            |              | TOTAL   | SENS. |       |       |
| YCE30B21H     | TPLC080C16MP12 | 21.0  | CF/CM/CU36C                | 1100         | 30.0    | 22.4  | 15.25 | 12.50 |
| YCE30B21H     | TPLC080C16MP12 | 21.0  | CF/CM/CU42C                | 925          | 30.0    | 20.8  | 15.25 | 12.50 |
| YCE30B21H     | TPLC100C16MP12 | 21.0  | CF/CM/CU30C                | 950          | 30.0    | 21.0  | 15.00 | 12.50 |
| YCE30B21H     | TPLC100C16MP12 | 21.0  | CF/CM/CU36C                | 1100         | 30.0    | 22.4  | 15.25 | 12.50 |
| YCE30B21H     | TPLC100C16MP12 | 21.0  | CF/CM/CU42C                | 925          | 30.0    | 20.8  | 15.25 | 12.50 |
| YCE30B21H     | TPLC100C20MP12 | 21.0  | CF/CM/CU36C                | 1100         | 30.0    | 22.2  | 15.00 | 12.50 |
| YCE30B21H     | TPLC100C20MP12 | 21.0  | CF/CM/CU42C                | 1100         | 30.0    | 22.2  | 15.00 | 12.50 |
| YCE30B21H     | TPLC120C20MP12 | 21.0  | CF/CM/CU36C                | 1100         | 30.0    | 22.2  | 15.00 | 12.50 |
| YCE30B21H     | TPLC120C20MP12 | 21.0  | CF/CM/CU42C                | 1100         | 30.0    | 22.2  | 15.00 | 12.50 |
| YCE30B21H     | YP9C060B12MP12 | 17.5  | CF/CM/CU30B                | 825          | 29.6    | 19.6  | 14.75 | 12.25 |
| YCE30B21H     | YP9C060B12MP12 | 17.5  | CF/CM/CU36B                | 950          | 30.0    | 21.0  | 15.00 | 12.25 |
| YCE30B21H     | YP9C060B12MP12 | 17.5  | CF42B                      | 925          | 30.0    | 20.8  | 15.25 | 12.75 |
| YCE30B21H     | YP9C080B12MP12 | 17.5  | CF/CM/CU30B                | 825          | 29.6    | 19.6  | 14.75 | 12.25 |
| YCE30B21H     | YP9C080B12MP12 | 17.5  | CF/CM/CU36B                | 950          | 30.0    | 21.0  | 15.00 | 12.25 |
| YCE30B21H     | YP9C080B12MP12 | 17.5  | CF42B                      | 925          | 30.0    | 20.8  | 15.25 | 12.75 |
| YCE30B21H     | YP9C080C16MP12 | 21.0  | CF/CM/CU30C                | 950          | 30.0    | 21.0  | 15.50 | 12.75 |
| YCE30B21H     | YP9C080C16MP12 | 21.0  | CF/CM/CU36C                | 975          | 30.0    | 21.2  | 15.50 | 12.75 |
| YCE30B21H     | YP9C080C16MP12 | 21.0  | CF/CM/CU42C                | 975          | 30.0    | 21.2  | 15.75 | 12.75 |
| YCE30B21H     | YP9C100C16MP12 | 21.0  | CF/CM/CU30C                | 950          | 30.0    | 21.0  | 15.50 | 12.75 |
| YCE30B21H     | YP9C100C16MP12 | 21.0  | CF/CM/CU36C                | 975          | 30.0    | 21.2  | 15.50 | 12.75 |
| YCE30B21H     | YP9C100C16MP12 | 21.0  | CF/CM/CU42C                | 975          | 30.0    | 21.2  | 15.75 | 12.75 |
| YCE30B21H     | YP9C100C20MP12 | 21.0  | CF/CM/CU30C                | 1075         | 30.0    | 21.8  | 15.00 | 12.50 |
| YCE30B21H     | YP9C100C20MP12 | 21.0  | CF/CM/CU36C                | 1075         | 30.0    | 22.0  | 15.25 | 12.25 |
| YCE30B21H     | YP9C120D20MP12 | 21.0  | CF/CM/CU36D                | 1125         | 30.0    | 22.4  | 16.00 | 13.00 |
| YCE30B21H     | YP9C120D20MP12 | 21.0  | CF/CM/CU42D                | 1125         | 30.0    | 22.4  | 15.50 | 12.75 |
| YCE30B21H     | YPLC060A12MP12 | 14.5  | CF/CM/CU30A                | 975          | 30.0    | 21.4  | 14.25 | 11.75 |
| YCE30B21H     | YPLC060A12MP12 | 14.5  | CF/CM36A                   | 875          | 29.8    | 20.2  | 14.50 | 12.00 |
| YCE30B21H     | YPLC080B12MP12 | 17.5  | CF/CM/CU36B                | 975          | 30.0    | 21.2  | 14.50 | 12.00 |
| YCE30B21H     | YPLC080B12MP12 | 17.5  | CF42B                      | 850          | 29.4    | 20.0  | 14.75 | 12.25 |
| YCE30B21H     | YPLC080C16MP12 | 21.0  | CF/CM/CU30C                | 950          | 30.0    | 21.0  | 15.00 | 12.50 |
| YCE30B21H     | YPLC080C16MP12 | 21.0  | CF/CM/CU36C                | 1100         | 30.0    | 22.4  | 15.25 | 12.50 |
| YCE30B21H     | YPLC080C16MP12 | 21.0  | CF/CM/CU42C                | 925          | 30.0    | 20.8  | 15.25 | 12.50 |
| YCE30B21H     | YPLC100C16MP12 | 21.0  | CF/CM/CU30C                | 950          | 30.0    | 21.0  | 15.00 | 12.50 |
| YCE30B21H     | YPLC100C16MP12 | 21.0  | CF/CM/CU36C                | 1100         | 30.0    | 22.4  | 15.25 | 12.50 |
| YCE30B21H     | YPLC100C16MP12 | 21.0  | CF/CM/CU42C                | 925          | 30.0    | 20.8  | 15.25 | 12.50 |
| YCE30B21H     | YPLC100C20MP12 | 21.0  | CF/CM/CU36C                | 1100         | 30.0    | 22.2  | 15.00 | 12.50 |
| YCE30B21H     | YPLC100C20MP12 | 21.0  | CF/CM/CU42C                | 1100         | 30.0    | 22.2  | 15.00 | 12.50 |
| YCE30B21H     | YPLC120C20MP12 | 21.0  | CF/CM/CU36C                | 1100         | 30.0    | 22.2  | 15.00 | 12.50 |
| YCE30B21H     | YPLC120C20MP12 | 21.0  | CF/CM/CU42C                | 1100         | 30.0    | 22.2  | 15.00 | 12.50 |
| YCE36B21H     | TM8V060A12MP11 | 14.5  | CF/CM36A                   | 975          | 33.8    | 22.4  | 14.00 | 11.75 |
| YCE36B21H     | TM8V080B12MP11 | 17.5  | CF/CM/CU36B                | 1025         | 34.4    | 23.0  | 14.25 | 12.00 |
| YCE36B21H     | TM8V080B12MP11 | 17.5  | CF42B                      | 1000         | 34.4    | 22.8  | 14.25 | 12.25 |
| YCE36B21H     | TM8V080C16MP11 | 21.0  | CF/CM/CU36C                | 1100         | 34.8    | 24.0  | 15.00 | 12.50 |
| YCE36B21H     | TM8V080C16MP11 | 21.0  | CF/CM/CU42C                | 1325         | 35.8    | 26.6  | 14.50 | 12.25 |
| YCE36B21H     | TM8V080C16MP11 | 21.0  | CF/CM/CU48C                | 1050         | 35.0    | 23.8  | 15.00 | 12.50 |
| YCE36B21H     | TM8V080C16MP11 | 21.0  | CF/CM/CU48D                | 1050         | 35.0    | 23.8  | 15.00 | 12.50 |
| YCE36B21H     | TM8V100C16MP11 | 21.0  | CF/CM/CU36C                | 1100         | 34.8    | 24.0  | 15.00 | 12.50 |
| YCE36B21H     | TM8V100C16MP11 | 21.0  | CF/CM/CU42C                | 1325         | 35.8    | 26.6  | 14.50 | 12.25 |
| YCE36B21H     | TM8V100C16MP11 | 21.0  | CF/CM/CU48C                | 1050         | 35.0    | 23.8  | 15.00 | 12.50 |
| YCE36B21H     | TM8V100C16MP11 | 21.0  | CF/CM/CU48D                | 1050         | 35.0    | 23.8  | 15.00 | 12.50 |

For notes see Page 40.

**COOLING CAPACITY - With High Efficiency Motor Furnaces<sup>1</sup> (Continued)**

| UNIT<br>MODEL | FURNACE        |       | COIL<br>MODEL <sup>2</sup> | COOLING      |         |       |       |       |
|---------------|----------------|-------|----------------------------|--------------|---------|-------|-------|-------|
|               | MODEL          | WIDTH |                            | RATED<br>CFM | NET MBH |       | SEER  | EER   |
|               |                |       |                            |              | TOTAL   | SENS. |       |       |
| YCE36B21H     | TM8V100C20MP11 | 21.0  | CF/CM/CU36C                | 1100         | 34.8    | 24.0  | 14.75 | 12.25 |
| YCE36B21H     | TM8V100C20MP11 | 21.0  | CF/CM/CU42C                | 1100         | 35.2    | 24.4  | 15.00 | 12.50 |
| YCE36B21H     | TM8V100C20MP11 | 21.0  | CF/CM/CU48C                | 1250         | 35.8    | 26.0  | 15.00 | 12.50 |
| YCE36B21H     | TM8V100C20MP11 | 21.0  | CF/CM/CU48D                | 1125         | 35.8    | 25.0  | 16.00 | 13.00 |
| YCE36B21H     | TM8V120C20MP11 | 21.0  | CF/CM/CU36C                | 1100         | 34.8    | 24.0  | 14.75 | 12.25 |
| YCE36B21H     | TM8V120C20MP11 | 21.0  | CF/CM/CU42C                | 1100         | 35.2    | 24.4  | 15.00 | 12.50 |
| YCE36B21H     | TM8V120C20MP11 | 21.0  | CF/CM/CU48C                | 1250         | 35.8    | 26.0  | 15.00 | 12.50 |
| YCE36B21H     | TM8V120C20MP11 | 21.0  | CF/CM/CU48D                | 1125         | 35.8    | 25.0  | 16.00 | 13.00 |
| YCE36B21H     | TM8X060A12MP11 | 14.5  | CF/CM36A                   | 975          | 34.0    | 22.6  | 14.50 | 12.25 |
| YCE36B21H     | TM8X080B12MP11 | 17.5  | CF/CM/CU36B                | 1000         | 34.2    | 22.6  | 14.50 | 12.25 |
| YCE36B21H     | TM8X080B12MP11 | 17.5  | CF42B                      | 1000         | 34.6    | 23.0  | 14.50 | 12.25 |
| YCE36B21H     | TM8X080C16MP11 | 21.0  | CF/CM/CU36C                | 1050         | 34.8    | 23.6  | 15.00 | 12.50 |
| YCE36B21H     | TM8X080C16MP11 | 21.0  | CF/CM/CU36D                | 1075         | 35.0    | 24.0  | 15.25 | 12.50 |
| YCE36B21H     | TM8X080C16MP11 | 21.0  | CF/CM/CU42C                | 1225         | 35.6    | 25.8  | 15.00 | 12.50 |
| YCE36B21H     | TM8X080C16MP11 | 21.0  | CF/CM/CU42D                | 1075         | 35.2    | 24.2  | 15.25 | 12.75 |
| YCE36B21H     | TM8X080C16MP11 | 21.0  | CF/CM/CU48C                | 1225         | 36.0    | 25.8  | 15.25 | 12.50 |
| YCE36B21H     | TM8X080C16MP11 | 21.0  | CF/CM/CU48D                | 1075         | 35.2    | 24.2  | 15.25 | 12.75 |
| YCE36B21H     | TM8X100C16MP11 | 21.0  | CF/CM/CU36C                | 1050         | 34.8    | 23.6  | 15.00 | 12.50 |
| YCE36B21H     | TM8X100C16MP11 | 21.0  | CF/CM/CU36D                | 1075         | 35.0    | 24.0  | 15.25 | 12.50 |
| YCE36B21H     | TM8X100C16MP11 | 21.0  | CF/CM/CU42C                | 1225         | 35.6    | 25.8  | 15.00 | 12.50 |
| YCE36B21H     | TM8X100C16MP11 | 21.0  | CF/CM/CU42D                | 1075         | 35.2    | 24.2  | 15.25 | 12.75 |
| YCE36B21H     | TM8X100C16MP11 | 21.0  | CF/CM/CU48C                | 1225         | 36.0    | 25.8  | 15.25 | 12.50 |
| YCE36B21H     | TM8X100C16MP11 | 21.0  | CF/CM/CU48D                | 1075         | 35.2    | 24.2  | 15.25 | 12.75 |
| YCE36B21H     | TM8X100C20MP11 | 21.0  | CF/CM/CU36C                | 1300         | 35.8    | 26.4  | 15.25 | 12.50 |
| YCE36B21H     | TM8X100C20MP11 | 21.0  | CF/CM/CU36D                | 1300         | 36.0    | 26.4  | 15.25 | 12.50 |
| YCE36B21H     | TM8X100C20MP11 | 21.0  | CF/CM/CU42C                | 1075         | 35.2    | 24.2  | 15.25 | 12.50 |
| YCE36B21H     | TM8X100C20MP11 | 21.0  | CF/CM/CU42D                | 1100         | 35.4    | 24.6  | 15.50 | 12.75 |
| YCE36B21H     | TM8X100C20MP11 | 21.0  | CF/CM/CU48C                | 1300         | 36.0    | 26.6  | 15.50 | 12.75 |
| YCE36B21H     | TM8X100C20MP11 | 21.0  | CF/CM/CU48D                | 1200         | 35.6    | 25.4  | 15.00 | 12.50 |
| YCE36B21H     | TM8X120C20MP11 | 21.0  | CF/CM/CU36C                | 1300         | 35.8    | 26.4  | 15.25 | 12.50 |
| YCE36B21H     | TM8X120C20MP11 | 21.0  | CF/CM/CU36D                | 1300         | 36.0    | 26.4  | 15.25 | 12.50 |
| YCE36B21H     | TM8X120C20MP11 | 21.0  | CF/CM/CU42C                | 1075         | 35.2    | 24.2  | 15.25 | 12.50 |
| YCE36B21H     | TM8X120C20MP11 | 21.0  | CF/CM/CU42D                | 1100         | 35.4    | 24.6  | 15.50 | 12.75 |
| YCE36B21H     | TM8X120C20MP11 | 21.0  | CF/CM/CU48C                | 1300         | 36.0    | 26.6  | 15.50 | 12.75 |
| YCE36B21H     | TM8X120C20MP11 | 21.0  | CF/CM/CU48D                | 1200         | 35.6    | 25.4  | 15.00 | 12.50 |
| YCE36B21H     | TM8Y060A12MP11 | 14.5  | CF/CM36A                   | 975          | 34.0    | 22.6  | 14.50 | 12.25 |
| YCE36B21H     | TM8Y080B12MP11 | 17.5  | CF/CM/CU36B                | 1000         | 34.2    | 22.6  | 14.50 | 12.25 |
| YCE36B21H     | TM8Y080B12MP11 | 17.5  | CF42B                      | 1000         | 34.6    | 23.0  | 14.50 | 12.25 |
| YCE36B21H     | TM8Y080C16MP11 | 21.0  | CF/CM/CU36C                | 1050         | 34.8    | 23.6  | 15.00 | 12.50 |
| YCE36B21H     | TM8Y080C16MP11 | 21.0  | CF/CM/CU36D                | 1075         | 35.0    | 24.0  | 15.25 | 12.50 |
| YCE36B21H     | TM8Y080C16MP11 | 21.0  | CF/CM/CU42C                | 1225         | 35.6    | 25.8  | 15.00 | 12.50 |
| YCE36B21H     | TM8Y080C16MP11 | 21.0  | CF/CM/CU42D                | 1075         | 35.2    | 24.2  | 15.25 | 12.75 |
| YCE36B21H     | TM8Y080C16MP11 | 21.0  | CF/CM/CU48C                | 1225         | 36.0    | 25.8  | 15.25 | 12.50 |
| YCE36B21H     | TM8Y080C16MP11 | 21.0  | CF/CM/CU48D                | 1075         | 35.2    | 24.2  | 15.25 | 12.75 |
| YCE36B21H     | TM8Y100C16MP11 | 21.0  | CF/CM/CU36C                | 1050         | 34.8    | 23.6  | 15.00 | 12.50 |
| YCE36B21H     | TM8Y100C16MP11 | 21.0  | CF/CM/CU36D                | 1075         | 35.0    | 24.0  | 15.25 | 12.50 |
| YCE36B21H     | TM8Y100C16MP11 | 21.0  | CF/CM/CU42C                | 1225         | 35.6    | 25.8  | 15.00 | 12.50 |
| YCE36B21H     | TM8Y100C16MP11 | 21.0  | CF/CM/CU42D                | 1075         | 35.2    | 24.2  | 15.25 | 12.75 |
| YCE36B21H     | TM8Y100C16MP11 | 21.0  | CF/CM/CU48C                | 1225         | 36.0    | 25.8  | 15.25 | 12.50 |

For notes see Page 40.

**COOLING CAPACITY - With High Efficiency Motor Furnaces<sup>1</sup> (Continued)**

| UNIT<br>MODEL | FURNACE        |       | COIL<br>MODEL <sup>2</sup> | COOLING      |         |       |       |       |
|---------------|----------------|-------|----------------------------|--------------|---------|-------|-------|-------|
|               | MODEL          | WIDTH |                            | RATED<br>CFM | NET MBH |       | SEER  | EER   |
|               |                |       |                            |              | TOTAL   | SENS. |       |       |
| YCE36B21H     | TM8Y100C16MP11 | 21.0  | CF/CM/CU48D                | 1075         | 35.2    | 24.2  | 15.25 | 12.75 |
| YCE36B21H     | TM8Y100C20MP11 | 21.0  | CF/CM/CU36C                | 1300         | 35.8    | 26.4  | 15.25 | 12.50 |
| YCE36B21H     | TM8Y100C20MP11 | 21.0  | CF/CM/CU36D                | 1300         | 36.0    | 26.4  | 15.25 | 12.50 |
| YCE36B21H     | TM8Y100C20MP11 | 21.0  | CF/CM/CU42C                | 1075         | 35.2    | 24.2  | 15.25 | 12.50 |
| YCE36B21H     | TM8Y100C20MP11 | 21.0  | CF/CM/CU42D                | 1100         | 35.4    | 24.6  | 15.50 | 12.75 |
| YCE36B21H     | TM8Y100C20MP11 | 21.0  | CF/CM/CU48C                | 1300         | 36.0    | 26.6  | 15.50 | 12.75 |
| YCE36B21H     | TM8Y100C20MP11 | 21.0  | CF/CM/CU48D                | 1200         | 35.6    | 25.4  | 15.00 | 12.50 |
| YCE36B21H     | TM8Y120C20MP11 | 21.0  | CF/CM/CU36C                | 1300         | 35.8    | 26.4  | 15.25 | 12.50 |
| YCE36B21H     | TM8Y120C20MP11 | 21.0  | CF/CM/CU36D                | 1300         | 36.0    | 26.4  | 15.25 | 12.50 |
| YCE36B21H     | TM8Y120C20MP11 | 21.0  | CF/CM/CU42C                | 1075         | 35.2    | 24.2  | 15.25 | 12.50 |
| YCE36B21H     | TM8Y120C20MP11 | 21.0  | CF/CM/CU42D                | 1100         | 35.4    | 24.6  | 15.50 | 12.75 |
| YCE36B21H     | TM8Y120C20MP11 | 21.0  | CF/CM/CU48C                | 1300         | 36.0    | 26.6  | 15.50 | 12.75 |
| YCE36B21H     | TM8Y120C20MP11 | 21.0  | CF/CM/CU48D                | 1200         | 35.6    | 25.4  | 15.00 | 12.50 |
| YCE36B21H     | TM9E060B12MP11 | 17.5  | CF/CM/CU36B                | 975          | 34.0    | 22.6  | 14.50 | 12.25 |
| YCE36B21H     | TM9E060B12MP11 | 17.5  | CF42B                      | 975          | 34.4    | 22.8  | 14.50 | 12.25 |
| YCE36B21H     | TM9E080B12MP11 | 17.5  | CF/CM/CU36B                | 975          | 34.0    | 22.6  | 14.50 | 12.25 |
| YCE36B21H     | TM9E080B12MP11 | 17.5  | CF42B                      | 975          | 34.4    | 22.8  | 14.50 | 12.25 |
| YCE36B21H     | TM9E080C16MP11 | 21.0  | CF/CM/CU36C                | 1075         | 34.8    | 23.8  | 14.75 | 12.25 |
| YCE36B21H     | TM9E080C16MP11 | 21.0  | CF/CM/CU36D                | 1075         | 34.8    | 23.8  | 15.00 | 12.50 |
| YCE36B21H     | TM9E080C16MP11 | 21.0  | CF/CM/CU42C                | 1075         | 35.0    | 24.2  | 15.00 | 12.75 |
| YCE36B21H     | TM9E080C16MP11 | 21.0  | CF/CM/CU42D                | 1075         | 35.0    | 24.2  | 15.00 | 12.50 |
| YCE36B21H     | TM9E080C16MP11 | 21.0  | CF/CM/CU48C                | 1075         | 35.0    | 24.0  | 15.00 | 12.50 |
| YCE36B21H     | TM9E080C16MP11 | 21.0  | CF/CM/CU48D                | 1075         | 35.0    | 24.0  | 15.25 | 12.50 |
| YCE36B21H     | TM9E100C16MP11 | 21.0  | CF/CM/CU36C                | 1075         | 34.8    | 23.8  | 14.75 | 12.25 |
| YCE36B21H     | TM9E100C16MP11 | 21.0  | CF/CM/CU36D                | 1075         | 34.8    | 23.8  | 15.00 | 12.50 |
| YCE36B21H     | TM9E100C16MP11 | 21.0  | CF/CM/CU42C                | 1075         | 35.0    | 24.2  | 15.00 | 12.75 |
| YCE36B21H     | TM9E100C16MP11 | 21.0  | CF/CM/CU42D                | 1075         | 35.0    | 24.2  | 15.00 | 12.50 |
| YCE36B21H     | TM9E100C16MP11 | 21.0  | CF/CM/CU48C                | 1075         | 35.0    | 24.0  | 15.00 | 12.50 |
| YCE36B21H     | TM9E100C16MP11 | 21.0  | CF/CM/CU48D                | 1075         | 35.0    | 24.0  | 15.25 | 12.50 |
| YCE36B21H     | TM9E100C20MP11 | 21.0  | CF/CM/CU36C                | 975          | 34.4    | 22.6  | 15.00 | 12.50 |
| YCE36B21H     | TM9E100C20MP11 | 21.0  | CF/CM/CU36D                | 975          | 34.4    | 22.6  | 15.00 | 12.75 |
| YCE36B21H     | TM9E100C20MP11 | 21.0  | CF/CM/CU42C                | 1250         | 35.8    | 26.0  | 15.00 | 12.50 |
| YCE36B21H     | TM9E100C20MP11 | 21.0  | CF/CM/CU42D                | 975          | 34.8    | 23.0  | 15.25 | 12.75 |
| YCE36B21H     | TM9E100C20MP11 | 21.0  | CF/CM/CU48C                | 975          | 34.8    | 23.0  | 15.25 | 12.75 |
| YCE36B21H     | TM9E100C20MP11 | 21.0  | CF/CM/CU48D                | 1000         | 34.8    | 23.2  | 15.50 | 12.75 |
| YCE36B21H     | TM9E120D20MP11 | 24.5  | CF/CM/CU36D                | 1275         | 35.8    | 26.2  | 15.25 | 12.50 |
| YCE36B21H     | TM9E120D20MP11 | 24.5  | CF/CM/CU42D                | 1275         | 36.0    | 26.4  | 15.25 | 12.50 |
| YCE36B21H     | TM9E120D20MP11 | 24.5  | CF/CM/CU48D                | 1275         | 36.0    | 26.2  | 15.50 | 12.75 |
| YCE36B21H     | TM9V060B12MP11 | 17.5  | CF/CM/CU36B                | 1050         | 34.4    | 23.4  | 14.50 | 12.25 |
| YCE36B21H     | TM9V060B12MP11 | 17.5  | CF42B                      | 1175         | 35.2    | 25.0  | 14.50 | 12.25 |
| YCE36B21H     | TM9V080B12MP11 | 17.5  | CF/CM/CU36B                | 1050         | 34.4    | 23.4  | 14.50 | 12.25 |
| YCE36B21H     | TM9V080B12MP11 | 17.5  | CF42B                      | 1175         | 35.2    | 25.0  | 14.50 | 12.25 |
| YCE36B21H     | TM9V080C16MP11 | 21.0  | CF/CM/CU36C                | 975          | 34.4    | 22.6  | 15.00 | 12.50 |
| YCE36B21H     | TM9V080C16MP11 | 21.0  | CF/CM/CU42C                | 975          | 34.6    | 23.0  | 15.00 | 12.50 |
| YCE36B21H     | TM9V080C16MP11 | 21.0  | CF/CM/CU48C                | 1275         | 35.8    | 26.2  | 14.75 | 12.25 |
| YCE36B21H     | TM9V080C16MP11 | 21.0  | CF/CM/CU48D                | 1200         | 35.8    | 25.4  | 15.25 | 12.50 |
| YCE36B21H     | TM9V100C16MP11 | 21.0  | CF/CM/CU36C                | 975          | 34.4    | 22.6  | 15.00 | 12.50 |
| YCE36B21H     | TM9V100C16MP11 | 21.0  | CF/CM/CU42C                | 975          | 34.6    | 23.0  | 15.00 | 12.50 |
| YCE36B21H     | TM9V100C16MP11 | 21.0  | CF/CM/CU48C                | 1275         | 35.8    | 26.2  | 14.75 | 12.25 |

For notes see Page 40.

**COOLING CAPACITY - With High Efficiency Motor Furnaces<sup>1</sup> (Continued)**

| UNIT<br>MODEL | FURNACE        |       | COIL<br>MODEL <sup>2</sup> | COOLING      |         |       |       |       |
|---------------|----------------|-------|----------------------------|--------------|---------|-------|-------|-------|
|               | MODEL          | WIDTH |                            | RATED<br>CFM | NET MBH |       | SEER  | EER   |
|               |                |       |                            |              | TOTAL   | SENS. |       |       |
| YCE36B21H     | TM9V100C16MP11 | 21.0  | CF/CM/CU48D                | 1200         | 35.8    | 25.4  | 15.25 | 12.50 |
| YCE36B21H     | TM9V100C20MP11 | 21.0  | CF/CM/CU36C                | 1075         | 34.8    | 23.8  | 14.75 | 12.25 |
| YCE36B21H     | TM9V100C20MP11 | 21.0  | CF/CM/CU42C                | 1275         | 35.6    | 26.2  | 14.50 | 12.25 |
| YCE36B21H     | TM9V100C20MP11 | 21.0  | CF/CM/CU48C                | 1200         | 35.6    | 25.2  | 14.75 | 12.25 |
| YCE36B21H     | TM9V100C20MP11 | 21.0  | CF/CM/CU48D                | 1250         | 35.8    | 26.0  | 15.00 | 12.25 |
| YCE36B21H     | TM9V120D20MP11 | 24.5  | CF/CM/CU36D                | 1125         | 35.4    | 24.6  | 15.50 | 12.75 |
| YCE36B21H     | TM9V120D20MP11 | 24.5  | CF/CM/CU42D                | 1125         | 35.2    | 24.6  | 15.00 | 12.50 |
| YCE36B21H     | TM9V120D20MP11 | 24.5  | CF/CM/CU48D                | 1250         | 36.0    | 26.0  | 15.25 | 12.50 |
| YCE36B21H     | TM9Y060B12MP11 | 17.5  | CF/CM/CU36B                | 975          | 34.0    | 22.6  | 14.50 | 12.25 |
| YCE36B21H     | TM9Y060B12MP11 | 17.5  | CF42B                      | 975          | 34.4    | 22.8  | 14.50 | 12.25 |
| YCE36B21H     | TM9Y080B12MP11 | 17.5  | CF/CM/CU36B                | 975          | 34.0    | 22.6  | 14.50 | 12.25 |
| YCE36B21H     | TM9Y080B12MP11 | 17.5  | CF42B                      | 975          | 34.4    | 22.8  | 14.50 | 12.25 |
| YCE36B21H     | TM9Y080C16MP11 | 21.0  | CF/CM/CU36C                | 1075         | 34.8    | 23.8  | 14.75 | 12.25 |
| YCE36B21H     | TM9Y080C16MP11 | 21.0  | CF/CM/CU36D                | 1075         | 34.8    | 23.8  | 15.00 | 12.50 |
| YCE36B21H     | TM9Y080C16MP11 | 21.0  | CF/CM/CU42C                | 1075         | 35.0    | 24.2  | 15.00 | 12.75 |
| YCE36B21H     | TM9Y080C16MP11 | 21.0  | CF/CM/CU42D                | 1075         | 35.0    | 24.2  | 15.00 | 12.50 |
| YCE36B21H     | TM9Y080C16MP11 | 21.0  | CF/CM/CU48C                | 1075         | 35.0    | 24.0  | 15.00 | 12.50 |
| YCE36B21H     | TM9Y080C16MP11 | 21.0  | CF/CM/CU48D                | 1075         | 35.0    | 24.0  | 15.25 | 12.50 |
| YCE36B21H     | TM9Y100C16MP11 | 21.0  | CF/CM/CU36C                | 1075         | 34.8    | 23.8  | 14.75 | 12.25 |
| YCE36B21H     | TM9Y100C16MP11 | 21.0  | CF/CM/CU36D                | 1075         | 34.8    | 23.8  | 15.00 | 12.50 |
| YCE36B21H     | TM9Y100C16MP11 | 21.0  | CF/CM/CU42C                | 1075         | 35.0    | 24.2  | 15.00 | 12.75 |
| YCE36B21H     | TM9Y100C16MP11 | 21.0  | CF/CM/CU42D                | 1075         | 35.0    | 24.2  | 15.00 | 12.50 |
| YCE36B21H     | TM9Y100C16MP11 | 21.0  | CF/CM/CU48C                | 1075         | 35.0    | 24.0  | 15.00 | 12.50 |
| YCE36B21H     | TM9Y100C16MP11 | 21.0  | CF/CM/CU48D                | 1075         | 35.0    | 24.0  | 15.25 | 12.50 |
| YCE36B21H     | TM9Y100C20MP11 | 21.0  | CF/CM/CU36C                | 975          | 34.4    | 22.6  | 15.00 | 12.50 |
| YCE36B21H     | TM9Y100C20MP11 | 21.0  | CF/CM/CU36D                | 975          | 34.4    | 22.6  | 15.00 | 12.75 |
| YCE36B21H     | TM9Y100C20MP11 | 21.0  | CF/CM/CU42C                | 1250         | 35.8    | 26.0  | 15.00 | 12.50 |
| YCE36B21H     | TM9Y100C20MP11 | 21.0  | CF/CM/CU42D                | 975          | 34.8    | 23.0  | 15.25 | 12.75 |
| YCE36B21H     | TM9Y100C20MP11 | 21.0  | CF/CM/CU48C                | 975          | 34.8    | 23.0  | 15.25 | 12.75 |
| YCE36B21H     | TM9Y100C20MP11 | 21.0  | CF/CM/CU48D                | 1000         | 34.8    | 23.2  | 15.50 | 12.75 |
| YCE36B21H     | TM9Y120D20MP11 | 24.5  | CF/CM/CU36D                | 1275         | 35.8    | 26.2  | 15.25 | 12.50 |
| YCE36B21H     | TM9Y120D20MP11 | 24.5  | CF/CM/CU42D                | 1275         | 36.0    | 26.4  | 15.25 | 12.50 |
| YCE36B21H     | TM9Y120D20MP11 | 24.5  | CF/CM/CU48D                | 1275         | 36.0    | 26.2  | 15.50 | 12.75 |
| YCE36B21H     | TMLV060A12MP11 | 14.5  | CF/CM36A                   | 975          | 33.8    | 22.4  | 14.00 | 11.75 |
| YCE36B21H     | TMLV080B12MP11 | 17.5  | CF/CM/CU36B                | 1025         | 34.4    | 23.0  | 14.25 | 12.00 |
| YCE36B21H     | TMLV080B12MP11 | 17.5  | CF42B                      | 1000         | 34.4    | 22.8  | 14.25 | 12.25 |
| YCE36B21H     | TMLV080C16MP11 | 21.0  | CF/CM/CU36C                | 1100         | 34.8    | 24.0  | 15.00 | 12.50 |
| YCE36B21H     | TMLV080C16MP11 | 21.0  | CF/CM/CU42C                | 1325         | 35.8    | 26.6  | 14.50 | 12.25 |
| YCE36B21H     | TMLV080C16MP11 | 21.0  | CF/CM/CU48C                | 1050         | 35.0    | 23.8  | 15.00 | 12.50 |
| YCE36B21H     | TMLV080C16MP11 | 21.0  | CF/CM/CU48D                | 1050         | 35.0    | 23.8  | 15.00 | 12.50 |
| YCE36B21H     | TMLV100C16MP11 | 21.0  | CF/CM/CU36C                | 1100         | 34.8    | 24.0  | 15.00 | 12.50 |
| YCE36B21H     | TMLV100C16MP11 | 21.0  | CF/CM/CU42C                | 1325         | 35.8    | 26.6  | 14.50 | 12.25 |
| YCE36B21H     | TMLV100C16MP11 | 21.0  | CF/CM/CU48C                | 1050         | 35.0    | 23.8  | 15.00 | 12.50 |
| YCE36B21H     | TMLV100C16MP11 | 21.0  | CF/CM/CU48D                | 1050         | 35.0    | 23.8  | 15.00 | 12.50 |
| YCE36B21H     | TMLV100C20MP11 | 21.0  | CF/CM/CU36C                | 1100         | 34.8    | 24.0  | 14.75 | 12.25 |
| YCE36B21H     | TMLV100C20MP11 | 21.0  | CF/CM/CU42C                | 1100         | 35.2    | 24.4  | 15.00 | 12.50 |
| YCE36B21H     | TMLV100C20MP11 | 21.0  | CF/CM/CU48C                | 1250         | 35.8    | 26.0  | 15.00 | 12.50 |
| YCE36B21H     | TMLV100C20MP11 | 21.0  | CF/CM/CU48D                | 1125         | 35.8    | 25.0  | 16.00 | 13.00 |
| YCE36B21H     | TMLV120C20MP11 | 21.0  | CF/CM/CU36C                | 1100         | 34.8    | 24.0  | 14.75 | 12.25 |

For notes see Page 40.

**COOLING CAPACITY - With High Efficiency Motor Furnaces<sup>1</sup> (Continued)**

| UNIT<br>MODEL | FURNACE        |       | COIL<br>MODEL <sup>2</sup> | COOLING      |         |       |       |       |
|---------------|----------------|-------|----------------------------|--------------|---------|-------|-------|-------|
|               | MODEL          | WIDTH |                            | RATED<br>CFM | NET MBH |       | SEER  | EER   |
|               |                |       |                            |              | TOTAL   | SENS. |       |       |
| YCE36B21H     | TMLV120C20MP11 | 21.0  | CF/CM/CU42C                | 1100         | 35.2    | 24.4  | 15.00 | 12.50 |
| YCE36B21H     | TMLV120C20MP11 | 21.0  | CF/CM/CU48C                | 1250         | 35.8    | 26.0  | 15.00 | 12.50 |
| YCE36B21H     | TMLV120C20MP11 | 21.0  | CF/CM/CU48D                | 1125         | 35.8    | 25.0  | 16.00 | 13.00 |
| YCE36B21H     | TMLX060A12MP11 | 14.5  | CF/CM36A                   | 975          | 34.0    | 22.6  | 14.50 | 12.25 |
| YCE36B21H     | TMLX080B12MP11 | 17.5  | CF/CM/CU36B                | 1000         | 34.2    | 22.6  | 14.50 | 12.25 |
| YCE36B21H     | TMLX080B12MP11 | 17.5  | CF42B                      | 1000         | 34.6    | 23.0  | 14.50 | 12.25 |
| YCE36B21H     | TMLX080C16MP11 | 21.0  | CF/CM/CU36C                | 1050         | 34.8    | 23.6  | 15.00 | 12.50 |
| YCE36B21H     | TMLX080C16MP11 | 21.0  | CF/CM/CU36D                | 1075         | 35.0    | 24.0  | 15.25 | 12.50 |
| YCE36B21H     | TMLX080C16MP11 | 21.0  | CF/CM/CU42C                | 1225         | 35.6    | 25.8  | 15.00 | 12.50 |
| YCE36B21H     | TMLX080C16MP11 | 21.0  | CF/CM/CU42D                | 1075         | 35.2    | 24.2  | 15.25 | 12.75 |
| YCE36B21H     | TMLX080C16MP11 | 21.0  | CF/CM/CU48C                | 1225         | 36.0    | 25.8  | 15.25 | 12.50 |
| YCE36B21H     | TMLX080C16MP11 | 21.0  | CF/CM/CU48D                | 1075         | 35.2    | 24.2  | 15.25 | 12.75 |
| YCE36B21H     | TMLX100C16MP11 | 21.0  | CF/CM/CU36C                | 1050         | 34.8    | 23.6  | 15.00 | 12.50 |
| YCE36B21H     | TMLX100C16MP11 | 21.0  | CF/CM/CU36D                | 1075         | 35.0    | 24.0  | 15.25 | 12.50 |
| YCE36B21H     | TMLX100C16MP11 | 21.0  | CF/CM/CU42C                | 1225         | 35.6    | 25.8  | 15.00 | 12.50 |
| YCE36B21H     | TMLX100C16MP11 | 21.0  | CF/CM/CU42D                | 1075         | 35.2    | 24.2  | 15.25 | 12.75 |
| YCE36B21H     | TMLX100C16MP11 | 21.0  | CF/CM/CU48C                | 1225         | 36.0    | 25.8  | 15.25 | 12.50 |
| YCE36B21H     | TMLX100C16MP11 | 21.0  | CF/CM/CU48D                | 1075         | 35.2    | 24.2  | 15.25 | 12.75 |
| YCE36B21H     | TMLX100C20MP11 | 21.0  | CF/CM/CU36C                | 1300         | 35.8    | 26.4  | 15.25 | 12.50 |
| YCE36B21H     | TMLX100C20MP11 | 21.0  | CF/CM/CU36D                | 1300         | 36.0    | 26.4  | 15.25 | 12.50 |
| YCE36B21H     | TMLX100C20MP11 | 21.0  | CF/CM/CU42C                | 1075         | 35.2    | 24.2  | 15.25 | 12.50 |
| YCE36B21H     | TMLX100C20MP11 | 21.0  | CF/CM/CU42D                | 1100         | 35.4    | 24.6  | 15.50 | 12.75 |
| YCE36B21H     | TMLX100C20MP11 | 21.0  | CF/CM/CU48C                | 1300         | 36.0    | 26.6  | 15.50 | 12.75 |
| YCE36B21H     | TMLX100C20MP11 | 21.0  | CF/CM/CU48D                | 1200         | 35.6    | 25.4  | 15.00 | 12.50 |
| YCE36B21H     | TMLX120C20MP11 | 21.0  | CF/CM/CU36C                | 1300         | 35.8    | 26.4  | 15.25 | 12.50 |
| YCE36B21H     | TMLX120C20MP11 | 21.0  | CF/CM/CU36D                | 1300         | 36.0    | 26.4  | 15.25 | 12.50 |
| YCE36B21H     | TMLX120C20MP11 | 21.0  | CF/CM/CU42C                | 1075         | 35.2    | 24.2  | 15.25 | 12.50 |
| YCE36B21H     | TMLX120C20MP11 | 21.0  | CF/CM/CU42D                | 1100         | 35.4    | 24.6  | 15.50 | 12.75 |
| YCE36B21H     | TMLX120C20MP11 | 21.0  | CF/CM/CU48C                | 1300         | 36.0    | 26.6  | 15.50 | 12.75 |
| YCE36B21H     | TMLX120C20MP11 | 21.0  | CF/CM/CU48D                | 1200         | 35.6    | 25.4  | 15.00 | 12.50 |
| YCE36B21H     | TP9C060B12MP12 | 17.5  | CF/CM/CU36B                | 1050         | 34.4    | 23.4  | 14.50 | 12.25 |
| YCE36B21H     | TP9C060B12MP12 | 17.5  | CF42B                      | 1175         | 35.2    | 25.0  | 14.50 | 12.25 |
| YCE36B21H     | TP9C080B12MP12 | 17.5  | CF/CM/CU36B                | 1050         | 34.4    | 23.4  | 14.50 | 12.25 |
| YCE36B21H     | TP9C080B12MP12 | 17.5  | CF42B                      | 1175         | 35.2    | 25.0  | 14.50 | 12.25 |
| YCE36B21H     | TP9C080C16MP12 | 21.0  | CF/CM/CU36C                | 975          | 34.4    | 22.6  | 15.00 | 12.50 |
| YCE36B21H     | TP9C080C16MP12 | 21.0  | CF/CM/CU42C                | 975          | 34.6    | 23.0  | 15.00 | 12.50 |
| YCE36B21H     | TP9C080C16MP12 | 21.0  | CF/CM/CU48C                | 1275         | 35.8    | 26.2  | 14.75 | 12.25 |
| YCE36B21H     | TP9C080C16MP12 | 21.0  | CF/CM/CU48D                | 1200         | 35.8    | 25.4  | 15.25 | 12.50 |
| YCE36B21H     | TP9C100C16MP12 | 21.0  | CF/CM/CU36C                | 975          | 34.4    | 22.6  | 15.00 | 12.50 |
| YCE36B21H     | TP9C100C16MP12 | 21.0  | CF/CM/CU42C                | 975          | 34.6    | 23.0  | 15.00 | 12.50 |
| YCE36B21H     | TP9C100C16MP12 | 21.0  | CF/CM/CU48C                | 1275         | 35.8    | 26.2  | 14.75 | 12.25 |
| YCE36B21H     | TP9C100C16MP12 | 21.0  | CF/CM/CU48D                | 1200         | 35.8    | 25.4  | 15.25 | 12.50 |
| YCE36B21H     | TP9C100C20MP12 | 21.0  | CF/CM/CU36C                | 1075         | 34.8    | 23.8  | 14.75 | 12.25 |
| YCE36B21H     | TP9C100C20MP12 | 21.0  | CF/CM/CU42C                | 1275         | 35.6    | 26.2  | 14.50 | 12.25 |
| YCE36B21H     | TP9C100C20MP12 | 21.0  | CF/CM/CU48C                | 1200         | 35.6    | 25.2  | 14.75 | 12.25 |
| YCE36B21H     | TP9C100C20MP12 | 21.0  | CF/CM/CU48D                | 1250         | 35.8    | 26.0  | 15.00 | 12.25 |
| YCE36B21H     | TP9C120D20MP12 | 21.0  | CF/CM/CU36D                | 1125         | 35.4    | 24.6  | 15.50 | 12.75 |
| YCE36B21H     | TP9C120D20MP12 | 21.0  | CF/CM/CU42D                | 1125         | 35.2    | 24.6  | 15.00 | 12.50 |
| YCE36B21H     | TP9C120D20MP12 | 21.0  | CF/CM/CU48D                | 1250         | 36.0    | 26.0  | 15.25 | 12.50 |

For notes see Page 40.

**COOLING CAPACITY - With High Efficiency Motor Furnaces<sup>1</sup> (Continued)**

| UNIT<br>MODEL | FURNACE        |       | COIL<br>MODEL <sup>2</sup> | COOLING      |         |       |       |       |
|---------------|----------------|-------|----------------------------|--------------|---------|-------|-------|-------|
|               | MODEL          | WIDTH |                            | RATED<br>CFM | NET MBH |       | SEER  | EER   |
|               |                |       |                            |              | TOTAL   | SENS. |       |       |
| YCE36B21H     | TPLC060A12MP12 | 14.5  | CF/CM36A                   | 975          | 33.8    | 22.4  | 14.00 | 11.75 |
| YCE36B21H     | TPLC080B12MP12 | 17.5  | CF/CM/CU36B                | 1025         | 34.4    | 23.0  | 14.25 | 12.00 |
| YCE36B21H     | TPLC080B12MP12 | 17.5  | CF42B                      | 1000         | 34.4    | 22.8  | 14.25 | 12.25 |
| YCE36B21H     | TPLC080C16MP12 | 21.0  | CF/CM/CU36C                | 1100         | 34.8    | 24.0  | 15.00 | 12.50 |
| YCE36B21H     | TPLC080C16MP12 | 21.0  | CF/CM/CU42C                | 1325         | 35.8    | 26.6  | 14.50 | 12.25 |
| YCE36B21H     | TPLC080C16MP12 | 21.0  | CF/CM/CU48C                | 1050         | 35.0    | 23.8  | 15.00 | 12.50 |
| YCE36B21H     | TPLC080C16MP12 | 21.0  | CF/CM/CU48D                | 1050         | 35.0    | 23.8  | 15.00 | 12.50 |
| YCE36B21H     | TPLC100C16MP12 | 21.0  | CF/CM/CU36C                | 1100         | 34.8    | 24.0  | 15.00 | 12.50 |
| YCE36B21H     | TPLC100C16MP12 | 21.0  | CF/CM/CU42C                | 1325         | 35.8    | 26.6  | 14.50 | 12.25 |
| YCE36B21H     | TPLC100C16MP12 | 21.0  | CF/CM/CU48C                | 1050         | 35.0    | 23.8  | 15.00 | 12.50 |
| YCE36B21H     | TPLC100C16MP12 | 21.0  | CF/CM/CU48D                | 1050         | 35.0    | 23.8  | 15.00 | 12.50 |
| YCE36B21H     | TPLC100C20MP12 | 21.0  | CF/CM/CU36C                | 1100         | 34.8    | 24.0  | 14.75 | 12.25 |
| YCE36B21H     | TPLC100C20MP12 | 21.0  | CF/CM/CU42C                | 1100         | 35.2    | 24.4  | 15.00 | 12.50 |
| YCE36B21H     | TPLC100C20MP12 | 21.0  | CF/CM/CU48C                | 1250         | 35.8    | 26.0  | 15.00 | 12.50 |
| YCE36B21H     | TPLC100C20MP12 | 21.0  | CF/CM/CU48D                | 1125         | 35.8    | 25.0  | 16.00 | 13.00 |
| YCE36B21H     | TPLC120C20MP12 | 21.0  | CF/CM/CU36C                | 1100         | 34.8    | 24.0  | 14.75 | 12.25 |
| YCE36B21H     | TPLC120C20MP12 | 21.0  | CF/CM/CU42C                | 1100         | 35.2    | 24.4  | 15.00 | 12.50 |
| YCE36B21H     | TPLC120C20MP12 | 21.0  | CF/CM/CU48C                | 1250         | 35.8    | 26.0  | 15.00 | 12.50 |
| YCE36B21H     | TPLC120C20MP12 | 21.0  | CF/CM/CU48D                | 1125         | 35.8    | 25.0  | 16.00 | 13.00 |
| YCE36B21H     | YP9C060B12MP12 | 17.5  | CF/CM/CU36B                | 1050         | 34.4    | 23.4  | 14.50 | 12.25 |
| YCE36B21H     | YP9C060B12MP12 | 17.5  | CF42B                      | 1175         | 35.2    | 25.0  | 14.50 | 12.25 |
| YCE36B21H     | YP9C080B12MP12 | 17.5  | CF/CM/CU36B                | 1050         | 34.4    | 23.4  | 14.50 | 12.25 |
| YCE36B21H     | YP9C080B12MP12 | 17.5  | CF42B                      | 1175         | 35.2    | 25.0  | 14.50 | 12.25 |
| YCE36B21H     | YP9C080C16MP12 | 21.0  | CF/CM/CU36C                | 975          | 34.4    | 22.6  | 15.00 | 12.50 |
| YCE36B21H     | YP9C080C16MP12 | 21.0  | CF/CM/CU42C                | 975          | 34.6    | 23.0  | 15.00 | 12.50 |
| YCE36B21H     | YP9C080C16MP12 | 21.0  | CF/CM/CU48C                | 1275         | 35.8    | 26.2  | 14.75 | 12.25 |
| YCE36B21H     | YP9C080C16MP12 | 21.0  | CF/CM/CU48D                | 1200         | 35.8    | 25.4  | 15.25 | 12.50 |
| YCE36B21H     | YP9C100C16MP12 | 21.0  | CF/CM/CU36C                | 975          | 34.4    | 22.6  | 15.00 | 12.50 |
| YCE36B21H     | YP9C100C16MP12 | 21.0  | CF/CM/CU42C                | 975          | 34.6    | 23.0  | 15.00 | 12.50 |
| YCE36B21H     | YP9C100C16MP12 | 21.0  | CF/CM/CU48C                | 1275         | 35.8    | 26.2  | 14.75 | 12.25 |
| YCE36B21H     | YP9C100C16MP12 | 21.0  | CF/CM/CU48D                | 1200         | 35.8    | 25.4  | 15.25 | 12.50 |
| YCE36B21H     | YP9C100C20MP12 | 21.0  | CF/CM/CU36C                | 1075         | 34.8    | 23.8  | 14.75 | 12.25 |
| YCE36B21H     | YP9C100C20MP12 | 21.0  | CF/CM/CU42C                | 1275         | 35.6    | 26.2  | 14.50 | 12.25 |
| YCE36B21H     | YP9C100C20MP12 | 21.0  | CF/CM/CU48C                | 1200         | 35.6    | 25.2  | 14.75 | 12.25 |
| YCE36B21H     | YP9C100C20MP12 | 21.0  | CF/CM/CU48D                | 1250         | 35.8    | 26.0  | 15.00 | 12.25 |
| YCE36B21H     | YP9C120D20MP12 | 21.0  | CF/CM/CU36D                | 1125         | 35.4    | 24.6  | 15.50 | 12.75 |
| YCE36B21H     | YP9C120D20MP12 | 21.0  | CF/CM/CU42D                | 1125         | 35.2    | 24.6  | 15.00 | 12.50 |
| YCE36B21H     | YP9C120D20MP12 | 21.0  | CF/CM/CU48D                | 1250         | 36.0    | 26.0  | 15.25 | 12.50 |
| YCE36B21H     | YPLC060A12MP12 | 14.5  | CF/CM36A                   | 975          | 33.8    | 22.4  | 14.00 | 11.75 |
| YCE36B21H     | YPLC080B12MP12 | 17.5  | CF/CM/CU36B                | 1025         | 34.4    | 23.0  | 14.25 | 12.00 |
| YCE36B21H     | YPLC080B12MP12 | 17.5  | CF42B                      | 1000         | 34.4    | 22.8  | 14.25 | 12.25 |
| YCE36B21H     | YPLC080C16MP12 | 21.0  | CF/CM/CU36C                | 1100         | 34.8    | 24.0  | 15.00 | 12.50 |
| YCE36B21H     | YPLC080C16MP12 | 21.0  | CF/CM/CU42C                | 1325         | 35.8    | 26.6  | 14.50 | 12.25 |
| YCE36B21H     | YPLC080C16MP12 | 21.0  | CF/CM/CU48C                | 1050         | 35.0    | 23.8  | 15.00 | 12.50 |
| YCE36B21H     | YPLC080C16MP12 | 21.0  | CF/CM/CU48D                | 1050         | 35.0    | 23.8  | 15.00 | 12.50 |
| YCE36B21H     | YPLC100C16MP12 | 21.0  | CF/CM/CU36C                | 1100         | 34.8    | 24.0  | 15.00 | 12.50 |
| YCE36B21H     | YPLC100C16MP12 | 21.0  | CF/CM/CU42C                | 1325         | 35.8    | 26.6  | 14.50 | 12.25 |
| YCE36B21H     | YPLC100C16MP12 | 21.0  | CF/CM/CU48C                | 1050         | 35.0    | 23.8  | 15.00 | 12.50 |
| YCE36B21H     | YPLC100C16MP12 | 21.0  | CF/CM/CU48D                | 1050         | 35.0    | 23.8  | 15.00 | 12.50 |

For notes see Page 40.



**COOLING CAPACITY - With High Efficiency Motor Furnaces<sup>1</sup> (Continued)**

| UNIT<br>MODEL | FURNACE        |       | COIL<br>MODEL <sup>2</sup> | COOLING      |         |       |       |       |
|---------------|----------------|-------|----------------------------|--------------|---------|-------|-------|-------|
|               | MODEL          | WIDTH |                            | RATED<br>CFM | NET MBH |       | SEER  | EER   |
|               |                |       |                            |              | TOTAL   | SENS. |       |       |
| YCE36B21H     | YPLC100C20MP12 | 21.0  | CF/CM/CU36C                | 1100         | 34.8    | 24.0  | 14.75 | 12.25 |
| YCE36B21H     | YPLC100C20MP12 | 21.0  | CF/CM/CU42C                | 1100         | 35.2    | 24.4  | 15.00 | 12.50 |
| YCE36B21H     | YPLC100C20MP12 | 21.0  | CF/CM/CU48C                | 1250         | 35.8    | 26.0  | 15.00 | 12.50 |
| YCE36B21H     | YPLC100C20MP12 | 21.0  | CF/CM/CU48D                | 1125         | 35.8    | 25.0  | 16.00 | 13.00 |
| YCE36B21H     | YPLC120C20MP12 | 21.0  | CF/CM/CU36C                | 1100         | 34.8    | 24.0  | 14.75 | 12.25 |
| YCE36B21H     | YPLC120C20MP12 | 21.0  | CF/CM/CU42C                | 1100         | 35.2    | 24.4  | 15.00 | 12.50 |
| YCE36B21H     | YPLC120C20MP12 | 21.0  | CF/CM/CU48C                | 1250         | 35.8    | 26.0  | 15.00 | 12.50 |
| YCE36B21H     | YPLC120C20MP12 | 21.0  | CF/CM/CU48D                | 1125         | 35.8    | 25.0  | 16.00 | 13.00 |
| YCE42B21H     | TM8V080C16MP11 | 21.0  | CF/CM/CU42C                | 1325         | 41.0    | 30.0  | 14.25 | 12.00 |
| YCE42B21H     | TM8V080C16MP11 | 21.0  | CF/CM/CU48C                | 1325         | 41.0    | 30.0  | 14.50 | 12.25 |
| YCE42B21H     | TM8V080C16MP11 | 21.0  | CF/CM/CU48D                | 1300         | 41.0    | 30.0  | 14.75 | 12.25 |
| YCE42B21H     | TM8V080C16MP11 | 21.0  | CF/CM/CU60C                | 1325         | 41.5    | 30.5  | 14.75 | 12.25 |
| YCE42B21H     | TM8V080C16MP11 | 21.0  | CF/CM64D                   | 1250         | 41.5    | 30.0  | 15.00 | 12.50 |
| YCE42B21H     | TM8V100C16MP11 | 21.0  | CF/CM/CU42C                | 1325         | 41.0    | 30.0  | 14.25 | 12.00 |
| YCE42B21H     | TM8V100C16MP11 | 21.0  | CF/CM/CU48C                | 1325         | 41.0    | 30.0  | 14.50 | 12.25 |
| YCE42B21H     | TM8V100C16MP11 | 21.0  | CF/CM/CU48D                | 1300         | 41.0    | 30.0  | 14.75 | 12.25 |
| YCE42B21H     | TM8V100C16MP11 | 21.0  | CF/CM/CU60C                | 1325         | 41.5    | 30.5  | 14.75 | 12.25 |
| YCE42B21H     | TM8V100C16MP11 | 21.0  | CF/CM64D                   | 1250         | 41.5    | 30.0  | 15.00 | 12.50 |
| YCE42B21H     | TM8V100C20MP11 | 21.0  | CF/CM/CU42C                | 1225         | 40.5    | 29.0  | 14.50 | 12.25 |
| YCE42B21H     | TM8V100C20MP11 | 21.0  | CF/CM/CU48C                | 1300         | 41.0    | 30.0  | 14.75 | 12.25 |
| YCE42B21H     | TM8V100C20MP11 | 21.0  | CF/CM/CU60C                | 1400         | 41.5    | 31.5  | 14.75 | 12.25 |
| YCE42B21H     | TM8V100C20MP11 | 21.0  | CF/CM/CU60D                | 1225         | 40.5    | 29.5  | 14.75 | 12.25 |
| YCE42B21H     | TM8V100C20MP11 | 21.0  | CF/CM64D                   | 1200         | 41.0    | 28.5  | 14.75 | 12.25 |
| YCE42B21H     | TM8V120C20MP11 | 21.0  | CF/CM/CU42C                | 1225         | 40.5    | 29.0  | 14.50 | 12.25 |
| YCE42B21H     | TM8V120C20MP11 | 21.0  | CF/CM/CU48C                | 1300         | 41.0    | 30.0  | 14.75 | 12.25 |
| YCE42B21H     | TM8V120C20MP11 | 21.0  | CF/CM/CU60C                | 1400         | 41.5    | 31.5  | 14.75 | 12.25 |
| YCE42B21H     | TM8V120C20MP11 | 21.0  | CF/CM/CU60D                | 1225         | 40.5    | 29.5  | 14.75 | 12.25 |
| YCE42B21H     | TM8V120C20MP11 | 21.0  | CF/CM64D                   | 1200         | 41.0    | 28.5  | 14.75 | 12.25 |
| YCE42B21H     | TM8X080B12MP11 | 17.5  | CF42B                      | 1175         | 39.0    | 27.0  | 14.00 | 12.00 |
| YCE42B21H     | TM8X080C16MP11 | 21.0  | CF/CM/CU42C                | 1200         | 40.0    | 28.0  | 14.50 | 12.25 |
| YCE42B21H     | TM8X080C16MP11 | 21.0  | CF/CM/CU42D                | 1400         | 41.0    | 31.0  | 14.50 | 12.00 |
| YCE42B21H     | TM8X080C16MP11 | 21.0  | CF/CM/CU48C                | 1400         | 41.5    | 31.0  | 14.50 | 12.00 |
| YCE42B21H     | TM8X080C16MP11 | 21.0  | CF/CM/CU48D                | 1400         | 41.5    | 31.0  | 14.50 | 12.00 |
| YCE42B21H     | TM8X080C16MP11 | 21.0  | CF/CM/CU60C                | 1200         | 40.5    | 28.0  | 14.75 | 12.25 |
| YCE42B21H     | TM8X080C16MP11 | 21.0  | CF/CM/CU60D                | 1200         | 40.5    | 28.0  | 14.75 | 12.25 |
| YCE42B21H     | TM8X080C16MP11 | 21.0  | CF/CM64D                   | 1200         | 41.0    | 28.5  | 15.00 | 12.50 |
| YCE42B21H     | TM8X100C16MP11 | 21.0  | CF/CM/CU42C                | 1200         | 40.0    | 28.0  | 14.50 | 12.25 |
| YCE42B21H     | TM8X100C16MP11 | 21.0  | CF/CM/CU42D                | 1400         | 41.0    | 31.0  | 14.50 | 12.00 |
| YCE42B21H     | TM8X100C16MP11 | 21.0  | CF/CM/CU48C                | 1400         | 41.5    | 31.0  | 14.50 | 12.00 |
| YCE42B21H     | TM8X100C16MP11 | 21.0  | CF/CM/CU48D                | 1400         | 41.5    | 31.0  | 14.50 | 12.00 |
| YCE42B21H     | TM8X100C16MP11 | 21.0  | CF/CM/CU60C                | 1200         | 40.5    | 28.0  | 14.75 | 12.25 |
| YCE42B21H     | TM8X100C16MP11 | 21.0  | CF/CM/CU60D                | 1200         | 40.5    | 28.0  | 14.75 | 12.25 |
| YCE42B21H     | TM8X100C16MP11 | 21.0  | CF/CM64D                   | 1200         | 41.0    | 28.5  | 15.00 | 12.50 |
| YCE42B21H     | TM8X100C20MP11 | 21.0  | CF/CM/CU42C                | 1400         | 41.5    | 31.0  | 14.50 | 12.25 |
| YCE42B21H     | TM8X100C20MP11 | 21.0  | CF/CM/CU42D                | 1275         | 41.0    | 29.5  | 14.75 | 12.50 |
| YCE42B21H     | TM8X100C20MP11 | 21.0  | CF/CM/CU48C                | 1275         | 41.0    | 30.0  | 15.00 | 12.50 |
| YCE42B21H     | TM8X100C20MP11 | 21.0  | CF/CM/CU48D                | 1300         | 41.5    | 30.0  | 15.25 | 12.50 |
| YCE42B21H     | TM8X100C20MP11 | 21.0  | CF/CM/CU60C                | 1275         | 41.5    | 30.0  | 15.25 | 12.50 |
| YCE42B21H     | TM8X100C20MP11 | 21.0  | CF/CM/CU60D                | 1275         | 41.5    | 30.0  | 15.25 | 12.50 |

For notes see Page 40.



**COOLING CAPACITY - With High Efficiency Motor Furnaces<sup>1</sup> (Continued)**

| UNIT<br>MODEL | FURNACE        |       | COIL<br>MODEL <sup>2</sup> | COOLING      |         |       |       |       |
|---------------|----------------|-------|----------------------------|--------------|---------|-------|-------|-------|
|               | MODEL          | WIDTH |                            | RATED<br>CFM | NET MBH |       | SEER  | EER   |
|               |                |       |                            |              | TOTAL   | SENS. |       |       |
| YCE42B21H     | TM8X100C20MP11 | 21.0  | CF/CM64D                   | 1275         | 42.0    | 30.5  | 15.25 | 12.75 |
| YCE42B21H     | TM8X120C20MP11 | 21.0  | CF/CM/CU42C                | 1400         | 41.5    | 31.0  | 14.50 | 12.25 |
| YCE42B21H     | TM8X120C20MP11 | 21.0  | CF/CM/CU42D                | 1275         | 41.0    | 29.5  | 14.75 | 12.50 |
| YCE42B21H     | TM8X120C20MP11 | 21.0  | CF/CM/CU48C                | 1275         | 41.0    | 30.0  | 15.00 | 12.50 |
| YCE42B21H     | TM8X120C20MP11 | 21.0  | CF/CM/CU48D                | 1300         | 41.5    | 30.0  | 15.25 | 12.50 |
| YCE42B21H     | TM8X120C20MP11 | 21.0  | CF/CM/CU60C                | 1275         | 41.5    | 30.0  | 15.25 | 12.50 |
| YCE42B21H     | TM8X120C20MP11 | 21.0  | CF/CM/CU60D                | 1275         | 41.5    | 30.0  | 15.25 | 12.50 |
| YCE42B21H     | TM8X120C20MP11 | 21.0  | CF/CM64D                   | 1275         | 42.0    | 30.5  | 15.25 | 12.75 |
| YCE42B21H     | TM8Y080B12MP11 | 17.5  | CF42B                      | 1175         | 39.0    | 27.0  | 14.00 | 12.00 |
| YCE42B21H     | TM8Y080C16MP11 | 21.0  | CF/CM/CU42C                | 1200         | 40.0    | 28.0  | 14.50 | 12.25 |
| YCE42B21H     | TM8Y080C16MP11 | 21.0  | CF/CM/CU42D                | 1400         | 41.0    | 31.0  | 14.50 | 12.00 |
| YCE42B21H     | TM8Y080C16MP11 | 21.0  | CF/CM/CU48C                | 1400         | 41.5    | 31.0  | 14.50 | 12.00 |
| YCE42B21H     | TM8Y080C16MP11 | 21.0  | CF/CM/CU48D                | 1400         | 41.5    | 31.0  | 14.50 | 12.00 |
| YCE42B21H     | TM8Y080C16MP11 | 21.0  | CF/CM/CU60C                | 1200         | 40.5    | 28.0  | 14.75 | 12.25 |
| YCE42B21H     | TM8Y080C16MP11 | 21.0  | CF/CM/CU60D                | 1200         | 40.5    | 28.0  | 14.75 | 12.25 |
| YCE42B21H     | TM8Y080C16MP11 | 21.0  | CF/CM64D                   | 1200         | 41.0    | 28.5  | 15.00 | 12.50 |
| YCE42B21H     | TM8Y100C16MP11 | 21.0  | CF/CM/CU42C                | 1200         | 40.0    | 28.0  | 14.50 | 12.25 |
| YCE42B21H     | TM8Y100C16MP11 | 21.0  | CF/CM/CU42D                | 1400         | 41.0    | 31.0  | 14.50 | 12.00 |
| YCE42B21H     | TM8Y100C16MP11 | 21.0  | CF/CM/CU48C                | 1400         | 41.5    | 31.0  | 14.50 | 12.00 |
| YCE42B21H     | TM8Y100C16MP11 | 21.0  | CF/CM/CU48D                | 1400         | 41.5    | 31.0  | 14.50 | 12.00 |
| YCE42B21H     | TM8Y100C16MP11 | 21.0  | CF/CM/CU60C                | 1200         | 40.5    | 28.0  | 14.75 | 12.25 |
| YCE42B21H     | TM8Y100C16MP11 | 21.0  | CF/CM/CU60D                | 1200         | 40.5    | 28.0  | 14.75 | 12.25 |
| YCE42B21H     | TM8Y100C16MP11 | 21.0  | CF/CM64D                   | 1200         | 41.0    | 28.5  | 15.00 | 12.50 |
| YCE42B21H     | TM8Y100C20MP11 | 21.0  | CF/CM/CU42C                | 1400         | 41.5    | 31.0  | 14.50 | 12.25 |
| YCE42B21H     | TM8Y100C20MP11 | 21.0  | CF/CM/CU42D                | 1275         | 41.0    | 29.5  | 14.75 | 12.50 |
| YCE42B21H     | TM8Y100C20MP11 | 21.0  | CF/CM/CU48C                | 1275         | 41.0    | 30.0  | 15.00 | 12.50 |
| YCE42B21H     | TM8Y100C20MP11 | 21.0  | CF/CM/CU48D                | 1300         | 41.5    | 30.0  | 15.25 | 12.50 |
| YCE42B21H     | TM8Y100C20MP11 | 21.0  | CF/CM/CU60C                | 1275         | 41.5    | 30.0  | 15.25 | 12.50 |
| YCE42B21H     | TM8Y100C20MP11 | 21.0  | CF/CM/CU60D                | 1275         | 41.5    | 30.0  | 15.25 | 12.50 |
| YCE42B21H     | TM8Y100C20MP11 | 21.0  | CF/CM64D                   | 1275         | 42.0    | 30.5  | 15.25 | 12.75 |
| YCE42B21H     | TM8Y120C20MP11 | 21.0  | CF/CM/CU42C                | 1400         | 41.5    | 31.0  | 14.50 | 12.25 |
| YCE42B21H     | TM8Y120C20MP11 | 21.0  | CF/CM/CU42D                | 1275         | 41.0    | 29.5  | 14.75 | 12.50 |
| YCE42B21H     | TM8Y120C20MP11 | 21.0  | CF/CM/CU48C                | 1275         | 41.0    | 30.0  | 15.00 | 12.50 |
| YCE42B21H     | TM8Y120C20MP11 | 21.0  | CF/CM/CU48D                | 1300         | 41.5    | 30.0  | 15.25 | 12.50 |
| YCE42B21H     | TM8Y120C20MP11 | 21.0  | CF/CM/CU60C                | 1275         | 41.5    | 30.0  | 15.25 | 12.50 |
| YCE42B21H     | TM8Y120C20MP11 | 21.0  | CF/CM/CU60D                | 1275         | 41.5    | 30.0  | 15.25 | 12.50 |
| YCE42B21H     | TM8Y120C20MP11 | 21.0  | CF/CM64D                   | 1275         | 42.0    | 30.5  | 15.25 | 12.75 |
| YCE42B21H     | TM9E080C16MP11 | 21.0  | CF/CM/CU42C                | 1225         | 40.5    | 29.0  | 14.50 | 12.25 |
| YCE42B21H     | TM9E080C16MP11 | 21.0  | CF/CM/CU42D                | 1325         | 41.0    | 30.0  | 14.25 | 12.00 |
| YCE42B21H     | TM9E080C16MP11 | 21.0  | CF/CM/CU48C                | 1325         | 41.0    | 30.0  | 14.25 | 12.00 |
| YCE42B21H     | TM9E080C16MP11 | 21.0  | CF/CM/CU48D                | 1225         | 40.5    | 29.0  | 14.75 | 12.25 |
| YCE42B21H     | TM9E080C16MP11 | 21.0  | CF/CM/CU60C                | 1200         | 40.5    | 28.0  | 14.50 | 12.25 |
| YCE42B21H     | TM9E080C16MP11 | 21.0  | CF/CM/CU60D                | 1200         | 40.5    | 28.0  | 14.50 | 12.25 |
| YCE42B21H     | TM9E080C16MP11 | 21.0  | CF/CM64D                   | 1225         | 41.5    | 30.0  | 15.00 | 12.50 |
| YCE42B21H     | TM9E100C16MP11 | 21.0  | CF/CM/CU42C                | 1225         | 40.5    | 29.0  | 14.50 | 12.25 |
| YCE42B21H     | TM9E100C16MP11 | 21.0  | CF/CM/CU42D                | 1325         | 41.0    | 30.0  | 14.25 | 12.00 |
| YCE42B21H     | TM9E100C16MP11 | 21.0  | CF/CM/CU48C                | 1325         | 41.0    | 30.0  | 14.25 | 12.00 |
| YCE42B21H     | TM9E100C16MP11 | 21.0  | CF/CM/CU48D                | 1225         | 40.5    | 29.0  | 14.75 | 12.25 |
| YCE42B21H     | TM9E100C16MP11 | 21.0  | CF/CM/CU60C                | 1200         | 40.5    | 28.0  | 14.50 | 12.25 |

For notes see Page 40.

**COOLING CAPACITY - With High Efficiency Motor Furnaces<sup>1</sup> (Continued)**

| UNIT<br>MODEL | FURNACE        |       | COIL<br>MODEL <sup>2</sup> | COOLING      |         |       |       |       |
|---------------|----------------|-------|----------------------------|--------------|---------|-------|-------|-------|
|               | MODEL          | WIDTH |                            | RATED<br>CFM | NET MBH |       | SEER  | EER   |
|               |                |       |                            |              | TOTAL   | SENS. |       |       |
| YCE42B21H     | TM9E100C16MP11 | 21.0  | CF/CM/CU60D                | 1200         | 40.5    | 28.0  | 14.50 | 12.25 |
| YCE42B21H     | TM9E100C16MP11 | 21.0  | CF/CM64D                   | 1225         | 41.5    | 30.0  | 15.00 | 12.50 |
| YCE42B21H     | TM9E100C20MP11 | 21.0  | CF/CM/CU42C                | 1225         | 40.5    | 29.0  | 14.75 | 12.25 |
| YCE42B21H     | TM9E100C20MP11 | 21.0  | CF/CM/CU42D                | 1225         | 40.5    | 29.0  | 14.75 | 12.25 |
| YCE42B21H     | TM9E100C20MP11 | 21.0  | CF/CM/CU48C                | 1225         | 40.5    | 29.0  | 14.75 | 12.25 |
| YCE42B21H     | TM9E100C20MP11 | 21.0  | CF/CM/CU48D                | 1225         | 40.5    | 29.0  | 14.75 | 12.25 |
| YCE42B21H     | TM9E100C20MP11 | 21.0  | CF/CM/CU60C                | 1225         | 41.0    | 29.5  | 15.00 | 12.25 |
| YCE42B21H     | TM9E100C20MP11 | 21.0  | CF/CM/CU60D                | 1250         | 41.0    | 29.5  | 15.00 | 12.25 |
| YCE42B21H     | TM9E100C20MP11 | 21.0  | CF/CM64D                   | 1225         | 41.5    | 30.0  | 15.00 | 12.50 |
| YCE42B21H     | TM9E120D20MP11 | 24.5  | CF/CM/CU42D                | 1250         | 40.5    | 29.5  | 14.75 | 12.50 |
| YCE42B21H     | TM9E120D20MP11 | 24.5  | CF/CM/CU48D                | 1250         | 41.0    | 29.5  | 15.00 | 12.50 |
| YCE42B21H     | TM9E120D20MP11 | 24.5  | CF/CM/CU60D                | 1225         | 41.0    | 29.5  | 15.00 | 12.25 |
| YCE42B21H     | TM9E120D20MP11 | 24.5  | CF/CM64D                   | 1225         | 41.5    | 30.0  | 15.25 | 12.75 |
| YCE42B21H     | TM9V060B12MP11 | 17.5  | CF42B                      | 1175         | 40.0    | 27.5  | 14.00 | 12.00 |
| YCE42B21H     | TM9V080B12MP11 | 17.5  | CF42B                      | 1175         | 40.0    | 27.5  | 14.00 | 12.00 |
| YCE42B21H     | TM9V080C16MP11 | 21.0  | CF/CM/CU42C                | 1275         | 40.5    | 29.5  | 14.50 | 12.00 |
| YCE42B21H     | TM9V080C16MP11 | 21.0  | CF/CM/CU48C                | 1275         | 41.0    | 29.5  | 14.75 | 12.25 |
| YCE42B21H     | TM9V080C16MP11 | 21.0  | CF/CM/CU48D                | 1425         | 41.5    | 31.5  | 14.75 | 12.25 |
| YCE42B21H     | TM9V080C16MP11 | 21.0  | CF/CM/CU60C                | 1200         | 40.5    | 28.5  | 14.75 | 12.25 |
| YCE42B21H     | TM9V080C16MP11 | 21.0  | CF/CM/CU60D                | 1425         | 41.5    | 31.5  | 14.50 | 12.00 |
| YCE42B21H     | TM9V080C16MP11 | 21.0  | CF/CM64D                   | 1300         | 42.0    | 30.5  | 15.00 | 12.50 |
| YCE42B21H     | TM9V100C16MP11 | 21.0  | CF/CM/CU42C                | 1275         | 40.5    | 29.5  | 14.50 | 12.00 |
| YCE42B21H     | TM9V100C16MP11 | 21.0  | CF/CM/CU48C                | 1275         | 41.0    | 29.5  | 14.75 | 12.25 |
| YCE42B21H     | TM9V100C16MP11 | 21.0  | CF/CM/CU48D                | 1425         | 41.5    | 31.5  | 14.75 | 12.25 |
| YCE42B21H     | TM9V100C16MP11 | 21.0  | CF/CM/CU60C                | 1200         | 40.5    | 28.5  | 14.75 | 12.25 |
| YCE42B21H     | TM9V100C16MP11 | 21.0  | CF/CM/CU60D                | 1425         | 41.5    | 31.5  | 14.50 | 12.00 |
| YCE42B21H     | TM9V100C16MP11 | 21.0  | CF/CM64D                   | 1300         | 42.0    | 30.5  | 15.00 | 12.50 |
| YCE42B21H     | TM9V100C20MP11 | 21.0  | CF/CM/CU42C                | 1275         | 40.5    | 29.5  | 14.25 | 12.00 |
| YCE42B21H     | TM9V100C20MP11 | 21.0  | CF/CM/CU48C                | 1275         | 41.0    | 29.5  | 14.50 | 12.25 |
| YCE42B21H     | TM9V100C20MP11 | 21.0  | CF/CM/CU48D                | 1300         | 41.0    | 30.0  | 14.75 | 12.25 |
| YCE42B21H     | TM9V100C20MP11 | 21.0  | CF/CM/CU60C                | 1275         | 41.0    | 30.0  | 14.75 | 12.25 |
| YCE42B21H     | TM9V100C20MP11 | 21.0  | CF/CM/CU60D                | 1250         | 41.0    | 29.5  | 15.00 | 12.25 |
| YCE42B21H     | TM9V100C20MP11 | 21.0  | CF/CM64D                   | 1225         | 41.5    | 30.0  | 15.00 | 12.50 |
| YCE42B21H     | TM9V120D20MP11 | 24.5  | CF/CM/CU42D                | 1300         | 41.0    | 30.0  | 14.75 | 12.25 |
| YCE42B21H     | TM9V120D20MP11 | 24.5  | CF/CM/CU48D                | 1300         | 41.0    | 30.0  | 14.75 | 12.25 |
| YCE42B21H     | TM9V120D20MP11 | 24.5  | CF/CM/CU60D                | 1250         | 41.0    | 29.5  | 15.00 | 12.25 |
| YCE42B21H     | TM9V120D20MP11 | 24.5  | CF/CM64D                   | 1250         | 41.5    | 30.0  | 15.25 | 12.75 |
| YCE42B21H     | TM9Y080C16MP11 | 21.0  | CF/CM/CU42C                | 1225         | 40.5    | 29.0  | 14.50 | 12.25 |
| YCE42B21H     | TM9Y080C16MP11 | 21.0  | CF/CM/CU42D                | 1325         | 41.0    | 30.0  | 14.25 | 12.00 |
| YCE42B21H     | TM9Y080C16MP11 | 21.0  | CF/CM/CU48C                | 1325         | 41.0    | 30.0  | 14.25 | 12.00 |
| YCE42B21H     | TM9Y080C16MP11 | 21.0  | CF/CM/CU48D                | 1225         | 40.5    | 29.0  | 14.75 | 12.25 |
| YCE42B21H     | TM9Y080C16MP11 | 21.0  | CF/CM/CU60C                | 1200         | 40.5    | 28.0  | 14.50 | 12.25 |
| YCE42B21H     | TM9Y080C16MP11 | 21.0  | CF/CM/CU60D                | 1200         | 40.5    | 28.0  | 14.50 | 12.25 |
| YCE42B21H     | TM9Y080C16MP11 | 21.0  | CF/CM64D                   | 1225         | 41.5    | 30.0  | 15.00 | 12.50 |
| YCE42B21H     | TM9Y100C16MP11 | 21.0  | CF/CM/CU42C                | 1225         | 40.5    | 29.0  | 14.50 | 12.25 |
| YCE42B21H     | TM9Y100C16MP11 | 21.0  | CF/CM/CU42D                | 1325         | 41.0    | 30.0  | 14.25 | 12.00 |
| YCE42B21H     | TM9Y100C16MP11 | 21.0  | CF/CM/CU48C                | 1325         | 41.0    | 30.0  | 14.25 | 12.00 |
| YCE42B21H     | TM9Y100C16MP11 | 21.0  | CF/CM/CU48D                | 1225         | 40.5    | 29.0  | 14.75 | 12.25 |
| YCE42B21H     | TM9Y100C16MP11 | 21.0  | CF/CM/CU60C                | 1200         | 40.5    | 28.0  | 14.50 | 12.25 |

For notes see Page 40.

**COOLING CAPACITY - With High Efficiency Motor Furnaces<sup>1</sup> (Continued)**

| UNIT<br>MODEL | FURNACE        |       | COIL<br>MODEL <sup>2</sup> | COOLING      |         |       |       |       |
|---------------|----------------|-------|----------------------------|--------------|---------|-------|-------|-------|
|               | MODEL          | WIDTH |                            | RATED<br>CFM | NET MBH |       | SEER  | EER   |
|               |                |       |                            |              | TOTAL   | SENS. |       |       |
| YCE42B21H     | TM9Y100C16MP11 | 21.0  | CF/CM/CU60D                | 1200         | 40.5    | 28.0  | 14.50 | 12.25 |
| YCE42B21H     | TM9Y100C16MP11 | 21.0  | CF/CM64D                   | 1225         | 41.5    | 30.0  | 15.00 | 12.50 |
| YCE42B21H     | TM9Y100C20MP11 | 21.0  | CF/CM/CU42C                | 1225         | 40.5    | 29.0  | 14.75 | 12.25 |
| YCE42B21H     | TM9Y100C20MP11 | 21.0  | CF/CM/CU42D                | 1225         | 40.5    | 29.0  | 14.75 | 12.25 |
| YCE42B21H     | TM9Y100C20MP11 | 21.0  | CF/CM/CU48C                | 1225         | 40.5    | 29.0  | 14.75 | 12.25 |
| YCE42B21H     | TM9Y100C20MP11 | 21.0  | CF/CM/CU48D                | 1225         | 40.5    | 29.0  | 14.75 | 12.25 |
| YCE42B21H     | TM9Y100C20MP11 | 21.0  | CF/CM/CU60C                | 1225         | 41.0    | 29.5  | 15.00 | 12.25 |
| YCE42B21H     | TM9Y100C20MP11 | 21.0  | CF/CM/CU60D                | 1250         | 41.0    | 29.5  | 15.00 | 12.25 |
| YCE42B21H     | TM9Y100C20MP11 | 21.0  | CF/CM64D                   | 1225         | 41.5    | 30.0  | 15.00 | 12.50 |
| YCE42B21H     | TM9Y120D20MP11 | 24.5  | CF/CM/CU42D                | 1250         | 40.5    | 29.5  | 14.75 | 12.50 |
| YCE42B21H     | TM9Y120D20MP11 | 24.5  | CF/CM/CU48D                | 1250         | 41.0    | 29.5  | 15.00 | 12.50 |
| YCE42B21H     | TM9Y120D20MP11 | 24.5  | CF/CM/CU60D                | 1225         | 41.0    | 29.5  | 15.00 | 12.25 |
| YCE42B21H     | TM9Y120D20MP11 | 24.5  | CF/CM64D                   | 1225         | 41.5    | 30.0  | 15.25 | 12.75 |
| YCE42B21H     | TMLV080C16MP11 | 21.0  | CF/CM/CU42C                | 1325         | 41.0    | 30.0  | 14.25 | 12.00 |
| YCE42B21H     | TMLV080C16MP11 | 21.0  | CF/CM/CU48C                | 1325         | 41.0    | 30.0  | 14.50 | 12.25 |
| YCE42B21H     | TMLV080C16MP11 | 21.0  | CF/CM/CU48D                | 1300         | 41.0    | 30.0  | 14.75 | 12.25 |
| YCE42B21H     | TMLV080C16MP11 | 21.0  | CF/CM/CU60C                | 1325         | 41.5    | 30.5  | 14.75 | 12.25 |
| YCE42B21H     | TMLV080C16MP11 | 21.0  | CF/CM64D                   | 1250         | 41.5    | 30.0  | 15.00 | 12.50 |
| YCE42B21H     | TMLV100C16MP11 | 21.0  | CF/CM/CU42C                | 1325         | 41.0    | 30.0  | 14.25 | 12.00 |
| YCE42B21H     | TMLV100C16MP11 | 21.0  | CF/CM/CU48C                | 1325         | 41.0    | 30.0  | 14.50 | 12.25 |
| YCE42B21H     | TMLV100C16MP11 | 21.0  | CF/CM/CU48D                | 1300         | 41.0    | 30.0  | 14.75 | 12.25 |
| YCE42B21H     | TMLV100C16MP11 | 21.0  | CF/CM/CU60C                | 1325         | 41.5    | 30.5  | 14.75 | 12.25 |
| YCE42B21H     | TMLV100C16MP11 | 21.0  | CF/CM64D                   | 1250         | 41.5    | 30.0  | 15.00 | 12.50 |
| YCE42B21H     | TMLV100C20MP11 | 21.0  | CF/CM/CU42C                | 1225         | 40.5    | 29.0  | 14.50 | 12.25 |
| YCE42B21H     | TMLV100C20MP11 | 21.0  | CF/CM/CU48C                | 1300         | 41.0    | 30.0  | 14.75 | 12.25 |
| YCE42B21H     | TMLV100C20MP11 | 21.0  | CF/CM/CU60C                | 1400         | 41.5    | 31.5  | 14.75 | 12.25 |
| YCE42B21H     | TMLV100C20MP11 | 21.0  | CF/CM/CU60D                | 1225         | 40.5    | 29.5  | 14.75 | 12.25 |
| YCE42B21H     | TMLV100C20MP11 | 21.0  | CF/CM64D                   | 1200         | 41.0    | 28.5  | 14.75 | 12.25 |
| YCE42B21H     | TMLV120C20MP11 | 21.0  | CF/CM/CU42C                | 1225         | 40.5    | 29.0  | 14.50 | 12.25 |
| YCE42B21H     | TMLV120C20MP11 | 21.0  | CF/CM/CU48C                | 1300         | 41.0    | 30.0  | 14.75 | 12.25 |
| YCE42B21H     | TMLV120C20MP11 | 21.0  | CF/CM/CU60C                | 1400         | 41.5    | 31.5  | 14.75 | 12.25 |
| YCE42B21H     | TMLV120C20MP11 | 21.0  | CF/CM/CU60D                | 1225         | 40.5    | 29.5  | 14.75 | 12.25 |
| YCE42B21H     | TMLV120C20MP11 | 21.0  | CF/CM64D                   | 1200         | 41.0    | 28.5  | 14.75 | 12.25 |
| YCE42B21H     | TMLX080B12MP11 | 17.5  | CF42B                      | 1175         | 39.0    | 27.0  | 14.00 | 12.00 |
| YCE42B21H     | TMLX080C16MP11 | 21.0  | CF/CM/CU42C                | 1200         | 40.0    | 28.0  | 14.50 | 12.25 |
| YCE42B21H     | TMLX080C16MP11 | 21.0  | CF/CM/CU42D                | 1400         | 41.0    | 31.0  | 14.50 | 12.00 |
| YCE42B21H     | TMLX080C16MP11 | 21.0  | CF/CM/CU48C                | 1400         | 41.5    | 31.0  | 14.50 | 12.00 |
| YCE42B21H     | TMLX080C16MP11 | 21.0  | CF/CM/CU48D                | 1400         | 41.5    | 31.0  | 14.50 | 12.00 |
| YCE42B21H     | TMLX080C16MP11 | 21.0  | CF/CM/CU60C                | 1200         | 40.5    | 28.0  | 14.75 | 12.25 |
| YCE42B21H     | TMLX080C16MP11 | 21.0  | CF/CM/CU60D                | 1200         | 40.5    | 28.0  | 14.75 | 12.25 |
| YCE42B21H     | TMLX080C16MP11 | 21.0  | CF/CM64D                   | 1200         | 41.0    | 28.5  | 15.00 | 12.50 |
| YCE42B21H     | TMLX100C16MP11 | 21.0  | CF/CM/CU42C                | 1200         | 40.0    | 28.0  | 14.50 | 12.25 |
| YCE42B21H     | TMLX100C16MP11 | 21.0  | CF/CM/CU42D                | 1400         | 41.0    | 31.0  | 14.50 | 12.00 |
| YCE42B21H     | TMLX100C16MP11 | 21.0  | CF/CM/CU48C                | 1400         | 41.5    | 31.0  | 14.50 | 12.00 |
| YCE42B21H     | TMLX100C16MP11 | 21.0  | CF/CM/CU48D                | 1400         | 41.5    | 31.0  | 14.50 | 12.00 |
| YCE42B21H     | TMLX100C16MP11 | 21.0  | CF/CM/CU60C                | 1200         | 40.5    | 28.0  | 14.75 | 12.25 |
| YCE42B21H     | TMLX100C16MP11 | 21.0  | CF/CM/CU60D                | 1200         | 40.5    | 28.0  | 14.75 | 12.25 |
| YCE42B21H     | TMLX100C16MP11 | 21.0  | CF/CM64D                   | 1200         | 41.0    | 28.5  | 15.00 | 12.50 |
| YCE42B21H     | TMLX100C20MP11 | 21.0  | CF/CM/CU42C                | 1400         | 41.5    | 31.0  | 14.50 | 12.25 |

For notes see Page 40.

**COOLING CAPACITY - With High Efficiency Motor Furnaces<sup>1</sup> (Continued)**

| UNIT<br>MODEL | FURNACE        |       | COIL<br>MODEL <sup>2</sup> | COOLING      |         |       |       |       |
|---------------|----------------|-------|----------------------------|--------------|---------|-------|-------|-------|
|               | MODEL          | WIDTH |                            | RATED<br>CFM | NET MBH |       | SEER  | EER   |
|               |                |       |                            |              | TOTAL   | SENS. |       |       |
| YCE42B21H     | TMLX100C20MP11 | 21.0  | CF/CM/CU42D                | 1275         | 41.0    | 29.5  | 14.75 | 12.50 |
| YCE42B21H     | TMLX100C20MP11 | 21.0  | CF/CM/CU48C                | 1275         | 41.0    | 30.0  | 15.00 | 12.50 |
| YCE42B21H     | TMLX100C20MP11 | 21.0  | CF/CM/CU48D                | 1300         | 41.5    | 30.0  | 15.25 | 12.50 |
| YCE42B21H     | TMLX100C20MP11 | 21.0  | CF/CM/CU60C                | 1275         | 41.5    | 30.0  | 15.25 | 12.50 |
| YCE42B21H     | TMLX100C20MP11 | 21.0  | CF/CM/CU60D                | 1275         | 41.5    | 30.0  | 15.25 | 12.50 |
| YCE42B21H     | TMLX100C20MP11 | 21.0  | CF/CM64D                   | 1275         | 42.0    | 30.5  | 15.25 | 12.75 |
| YCE42B21H     | TMLX120C20MP11 | 21.0  | CF/CM/CU42C                | 1400         | 41.5    | 31.0  | 14.50 | 12.25 |
| YCE42B21H     | TMLX120C20MP11 | 21.0  | CF/CM/CU42D                | 1275         | 41.0    | 29.5  | 14.75 | 12.50 |
| YCE42B21H     | TMLX120C20MP11 | 21.0  | CF/CM/CU48C                | 1275         | 41.0    | 30.0  | 15.00 | 12.50 |
| YCE42B21H     | TMLX120C20MP11 | 21.0  | CF/CM/CU48D                | 1300         | 41.5    | 30.0  | 15.25 | 12.50 |
| YCE42B21H     | TMLX120C20MP11 | 21.0  | CF/CM/CU60C                | 1275         | 41.5    | 30.0  | 15.25 | 12.50 |
| YCE42B21H     | TMLX120C20MP11 | 21.0  | CF/CM/CU60D                | 1275         | 41.5    | 30.0  | 15.25 | 12.50 |
| YCE42B21H     | TMLX120C20MP11 | 21.0  | CF/CM64D                   | 1275         | 42.0    | 30.5  | 15.25 | 12.75 |
| YCE42B21H     | TP9C060B12MP12 | 17.5  | CF42B                      | 1175         | 40.0    | 27.5  | 14.00 | 12.00 |
| YCE42B21H     | TP9C080B12MP12 | 17.5  | CF42B                      | 1175         | 40.0    | 27.5  | 14.00 | 12.00 |
| YCE42B21H     | TP9C080C16MP12 | 21.0  | CF/CM/CU42C                | 1275         | 40.5    | 29.5  | 14.50 | 12.00 |
| YCE42B21H     | TP9C080C16MP12 | 21.0  | CF/CM/CU48C                | 1275         | 41.0    | 29.5  | 14.75 | 12.25 |
| YCE42B21H     | TP9C080C16MP12 | 21.0  | CF/CM/CU48D                | 1425         | 41.5    | 31.5  | 14.75 | 12.25 |
| YCE42B21H     | TP9C080C16MP12 | 21.0  | CF/CM/CU60C                | 1200         | 40.5    | 28.5  | 14.75 | 12.25 |
| YCE42B21H     | TP9C080C16MP12 | 21.0  | CF/CM/CU60D                | 1425         | 41.5    | 31.5  | 14.50 | 12.00 |
| YCE42B21H     | TP9C080C16MP12 | 21.0  | CF/CM64D                   | 1300         | 42.0    | 30.5  | 15.00 | 12.50 |
| YCE42B21H     | TP9C100C16MP12 | 21.0  | CF/CM/CU42C                | 1275         | 40.5    | 29.5  | 14.50 | 12.00 |
| YCE42B21H     | TP9C100C16MP12 | 21.0  | CF/CM/CU48C                | 1275         | 41.0    | 29.5  | 14.75 | 12.25 |
| YCE42B21H     | TP9C100C16MP12 | 21.0  | CF/CM/CU48D                | 1425         | 41.5    | 31.5  | 14.75 | 12.25 |
| YCE42B21H     | TP9C100C16MP12 | 21.0  | CF/CM/CU60C                | 1200         | 40.5    | 28.5  | 14.75 | 12.25 |
| YCE42B21H     | TP9C100C16MP12 | 21.0  | CF/CM/CU60D                | 1425         | 41.5    | 31.5  | 14.50 | 12.00 |
| YCE42B21H     | TP9C100C16MP12 | 21.0  | CF/CM64D                   | 1300         | 42.0    | 30.5  | 15.00 | 12.50 |
| YCE42B21H     | TP9C100C20MP12 | 21.0  | CF/CM/CU42C                | 1275         | 40.5    | 29.5  | 14.25 | 12.00 |
| YCE42B21H     | TP9C100C20MP12 | 21.0  | CF/CM/CU48C                | 1275         | 41.0    | 29.5  | 14.50 | 12.25 |
| YCE42B21H     | TP9C100C20MP12 | 21.0  | CF/CM/CU48D                | 1300         | 41.0    | 30.0  | 14.75 | 12.25 |
| YCE42B21H     | TP9C100C20MP12 | 21.0  | CF/CM/CU60C                | 1275         | 41.0    | 30.0  | 14.75 | 12.25 |
| YCE42B21H     | TP9C100C20MP12 | 21.0  | CF/CM/CU60D                | 1250         | 41.0    | 29.5  | 15.00 | 12.25 |
| YCE42B21H     | TP9C100C20MP12 | 21.0  | CF/CM64D                   | 1225         | 41.5    | 30.0  | 15.00 | 12.50 |
| YCE42B21H     | TP9C120D20MP12 | 21.0  | CF/CM/CU42D                | 1300         | 41.0    | 30.0  | 14.75 | 12.25 |
| YCE42B21H     | TP9C120D20MP12 | 21.0  | CF/CM/CU48D                | 1300         | 41.0    | 30.0  | 14.75 | 12.25 |
| YCE42B21H     | TP9C120D20MP12 | 21.0  | CF/CM/CU60D                | 1250         | 41.0    | 29.5  | 15.00 | 12.25 |
| YCE42B21H     | TP9C120D20MP12 | 21.0  | CF/CM64D                   | 1250         | 41.5    | 30.0  | 15.25 | 12.75 |
| YCE42B21H     | TPLC080C16MP12 | 21.0  | CF/CM/CU42C                | 1325         | 41.0    | 30.0  | 14.25 | 12.00 |
| YCE42B21H     | TPLC080C16MP12 | 21.0  | CF/CM/CU48C                | 1325         | 41.0    | 30.0  | 14.50 | 12.25 |
| YCE42B21H     | TPLC080C16MP12 | 21.0  | CF/CM/CU48D                | 1300         | 41.0    | 30.0  | 14.75 | 12.25 |
| YCE42B21H     | TPLC080C16MP12 | 21.0  | CF/CM/CU60C                | 1325         | 41.5    | 30.5  | 14.75 | 12.25 |
| YCE42B21H     | TPLC080C16MP12 | 21.0  | CF/CM64D                   | 1250         | 41.5    | 30.0  | 15.00 | 12.50 |
| YCE42B21H     | TPLC100C16MP12 | 21.0  | CF/CM/CU42C                | 1325         | 41.0    | 30.0  | 14.25 | 12.00 |
| YCE42B21H     | TPLC100C16MP12 | 21.0  | CF/CM/CU48C                | 1325         | 41.0    | 30.0  | 14.50 | 12.25 |
| YCE42B21H     | TPLC100C16MP12 | 21.0  | CF/CM/CU48D                | 1300         | 41.0    | 30.0  | 14.75 | 12.25 |
| YCE42B21H     | TPLC100C16MP12 | 21.0  | CF/CM/CU60C                | 1325         | 41.5    | 30.5  | 14.75 | 12.25 |
| YCE42B21H     | TPLC100C16MP12 | 21.0  | CF/CM64D                   | 1250         | 41.5    | 30.0  | 15.00 | 12.50 |
| YCE42B21H     | TPLC100C20MP12 | 21.0  | CF/CM/CU42C                | 1225         | 40.5    | 29.0  | 14.50 | 12.25 |
| YCE42B21H     | TPLC100C20MP12 | 21.0  | CF/CM/CU48C                | 1300         | 41.0    | 30.0  | 14.75 | 12.25 |

For notes see Page 40.

**COOLING CAPACITY - With High Efficiency Motor Furnaces<sup>1</sup> (Continued)**

| UNIT<br>MODEL | FURNACE        |       | COIL<br>MODEL <sup>2</sup> | COOLING      |         |       |       |       |
|---------------|----------------|-------|----------------------------|--------------|---------|-------|-------|-------|
|               | MODEL          | WIDTH |                            | RATED<br>CFM | NET MBH |       | SEER  | EER   |
|               |                |       |                            |              | TOTAL   | SENS. |       |       |
| YCE42B21H     | TPLC100C20MP12 | 21.0  | CF/CM/CU60C                | 1400         | 41.5    | 31.5  | 14.75 | 12.25 |
| YCE42B21H     | TPLC100C20MP12 | 21.0  | CF/CM/CU60D                | 1225         | 40.5    | 29.5  | 14.75 | 12.25 |
| YCE42B21H     | TPLC100C20MP12 | 21.0  | CF/CM64D                   | 1200         | 41.0    | 28.5  | 14.75 | 12.25 |
| YCE42B21H     | TPLC120C20MP12 | 21.0  | CF/CM/CU42C                | 1225         | 40.5    | 29.0  | 14.50 | 12.25 |
| YCE42B21H     | TPLC120C20MP12 | 21.0  | CF/CM/CU48C                | 1300         | 41.0    | 30.0  | 14.75 | 12.25 |
| YCE42B21H     | TPLC120C20MP12 | 21.0  | CF/CM/CU60C                | 1400         | 41.5    | 31.5  | 14.75 | 12.25 |
| YCE42B21H     | TPLC120C20MP12 | 21.0  | CF/CM/CU60D                | 1225         | 40.5    | 29.5  | 14.75 | 12.25 |
| YCE42B21H     | TPLC120C20MP12 | 21.0  | CF/CM64D                   | 1200         | 41.0    | 28.5  | 14.75 | 12.25 |
| YCE42B21H     | YP9C060B12MP12 | 17.5  | CF42B                      | 1175         | 40.0    | 27.5  | 14.00 | 12.00 |
| YCE42B21H     | YP9C080B12MP12 | 17.5  | CF42B                      | 1175         | 40.0    | 27.5  | 14.00 | 12.00 |
| YCE42B21H     | YP9C080C16MP12 | 21.0  | CF/CM/CU42C                | 1275         | 40.5    | 29.5  | 14.50 | 12.00 |
| YCE42B21H     | YP9C080C16MP12 | 21.0  | CF/CM/CU48C                | 1275         | 41.0    | 29.5  | 14.75 | 12.25 |
| YCE42B21H     | YP9C080C16MP12 | 21.0  | CF/CM/CU48D                | 1425         | 41.5    | 31.5  | 14.75 | 12.25 |
| YCE42B21H     | YP9C080C16MP12 | 21.0  | CF/CM/CU60C                | 1200         | 40.5    | 28.5  | 14.75 | 12.25 |
| YCE42B21H     | YP9C080C16MP12 | 21.0  | CF/CM/CU60D                | 1425         | 41.5    | 31.5  | 14.50 | 12.00 |
| YCE42B21H     | YP9C080C16MP12 | 21.0  | CF/CM64D                   | 1300         | 42.0    | 30.5  | 15.00 | 12.50 |
| YCE42B21H     | YP9C100C16MP12 | 21.0  | CF/CM/CU42C                | 1275         | 40.5    | 29.5  | 14.50 | 12.00 |
| YCE42B21H     | YP9C100C16MP12 | 21.0  | CF/CM/CU48C                | 1275         | 41.0    | 29.5  | 14.75 | 12.25 |
| YCE42B21H     | YP9C100C16MP12 | 21.0  | CF/CM/CU48D                | 1425         | 41.5    | 31.5  | 14.75 | 12.25 |
| YCE42B21H     | YP9C100C16MP12 | 21.0  | CF/CM/CU60C                | 1200         | 40.5    | 28.5  | 14.75 | 12.25 |
| YCE42B21H     | YP9C100C16MP12 | 21.0  | CF/CM/CU60D                | 1425         | 41.5    | 31.5  | 14.50 | 12.00 |
| YCE42B21H     | YP9C100C16MP12 | 21.0  | CF/CM64D                   | 1300         | 42.0    | 30.5  | 15.00 | 12.50 |
| YCE42B21H     | YP9C100C20MP12 | 21.0  | CF/CM/CU42C                | 1275         | 40.5    | 29.5  | 14.25 | 12.00 |
| YCE42B21H     | YP9C100C20MP12 | 21.0  | CF/CM/CU48C                | 1275         | 41.0    | 29.5  | 14.50 | 12.25 |
| YCE42B21H     | YP9C100C20MP12 | 21.0  | CF/CM/CU48D                | 1300         | 41.0    | 30.0  | 14.75 | 12.25 |
| YCE42B21H     | YP9C100C20MP12 | 21.0  | CF/CM/CU60C                | 1275         | 41.0    | 30.0  | 14.75 | 12.25 |
| YCE42B21H     | YP9C100C20MP12 | 21.0  | CF/CM/CU60D                | 1250         | 41.0    | 29.5  | 15.00 | 12.25 |
| YCE42B21H     | YP9C100C20MP12 | 21.0  | CF/CM64D                   | 1225         | 41.5    | 30.0  | 15.00 | 12.50 |
| YCE42B21H     | YP9C120D20MP12 | 21.0  | CF/CM/CU42D                | 1300         | 41.0    | 30.0  | 14.75 | 12.25 |
| YCE42B21H     | YP9C120D20MP12 | 21.0  | CF/CM/CU48D                | 1300         | 41.0    | 30.0  | 14.75 | 12.25 |
| YCE42B21H     | YP9C120D20MP12 | 21.0  | CF/CM/CU60D                | 1250         | 41.0    | 29.5  | 15.00 | 12.25 |
| YCE42B21H     | YP9C120D20MP12 | 21.0  | CF/CM64D                   | 1250         | 41.5    | 30.0  | 15.25 | 12.75 |
| YCE42B21H     | YPLC080C16MP12 | 21.0  | CF/CM/CU42C                | 1325         | 41.0    | 30.0  | 14.25 | 12.00 |
| YCE42B21H     | YPLC080C16MP12 | 21.0  | CF/CM/CU48C                | 1325         | 41.0    | 30.0  | 14.50 | 12.25 |
| YCE42B21H     | YPLC080C16MP12 | 21.0  | CF/CM/CU48D                | 1300         | 41.0    | 30.0  | 14.75 | 12.25 |
| YCE42B21H     | YPLC080C16MP12 | 21.0  | CF/CM/CU60C                | 1325         | 41.5    | 30.5  | 14.75 | 12.25 |
| YCE42B21H     | YPLC080C16MP12 | 21.0  | CF/CM64D                   | 1250         | 41.5    | 30.0  | 15.00 | 12.50 |
| YCE42B21H     | YPLC100C16MP12 | 21.0  | CF/CM/CU42C                | 1325         | 41.0    | 30.0  | 14.25 | 12.00 |
| YCE42B21H     | YPLC100C16MP12 | 21.0  | CF/CM/CU48C                | 1325         | 41.0    | 30.0  | 14.50 | 12.25 |
| YCE42B21H     | YPLC100C16MP12 | 21.0  | CF/CM/CU48D                | 1300         | 41.0    | 30.0  | 14.75 | 12.25 |
| YCE42B21H     | YPLC100C16MP12 | 21.0  | CF/CM/CU60C                | 1325         | 41.5    | 30.5  | 14.75 | 12.25 |
| YCE42B21H     | YPLC100C16MP12 | 21.0  | CF/CM64D                   | 1250         | 41.5    | 30.0  | 15.00 | 12.50 |
| YCE42B21H     | YPLC100C20MP12 | 21.0  | CF/CM/CU42C                | 1225         | 40.5    | 29.0  | 14.50 | 12.25 |
| YCE42B21H     | YPLC100C20MP12 | 21.0  | CF/CM/CU48C                | 1300         | 41.0    | 30.0  | 14.75 | 12.25 |
| YCE42B21H     | YPLC100C20MP12 | 21.0  | CF/CM/CU60C                | 1400         | 41.5    | 31.5  | 14.75 | 12.25 |
| YCE42B21H     | YPLC100C20MP12 | 21.0  | CF/CM/CU60D                | 1225         | 40.5    | 29.5  | 14.75 | 12.25 |
| YCE42B21H     | YPLC100C20MP12 | 21.0  | CF/CM64D                   | 1200         | 41.0    | 28.5  | 14.75 | 12.25 |
| YCE42B21H     | YPLC120C20MP12 | 21.0  | CF/CM/CU42C                | 1225         | 40.5    | 29.0  | 14.50 | 12.25 |
| YCE42B21H     | YPLC120C20MP12 | 21.0  | CF/CM/CU48C                | 1300         | 41.0    | 30.0  | 14.75 | 12.25 |

For notes see Page 40.

**COOLING CAPACITY - With High Efficiency Motor Furnaces<sup>1</sup> (Continued)**

| UNIT<br>MODEL | FURNACE        |       | COIL<br>MODEL <sup>2</sup> | COOLING      |         |       |       |       |
|---------------|----------------|-------|----------------------------|--------------|---------|-------|-------|-------|
|               | MODEL          | WIDTH |                            | RATED<br>CFM | NET MBH |       | SEER  | EER   |
|               |                |       |                            |              | TOTAL   | SENS. |       |       |
| YCE42B21H     | YPLC120C20MP12 | 21.0  | CF/CM/CU60C                | 1400         | 41.5    | 31.5  | 14.75 | 12.25 |
| YCE42B21H     | YPLC120C20MP12 | 21.0  | CF/CM/CU60D                | 1225         | 40.5    | 29.5  | 14.75 | 12.25 |
| YCE42B21H     | YPLC120C20MP12 | 21.0  | CF/CM64D                   | 1200         | 41.0    | 28.5  | 14.75 | 12.25 |
| YCE48B21S     | TM8V080C16MP11 | 21.0  | CF/CM/CU48C                | 1325         | 47.0    | 33.0  | 15.00 | 12.50 |
| YCE48B21S     | TM8V080C16MP11 | 21.0  | CF/CM/CU48D                | 1300         | 48.0    | 33.5  | 15.25 | 12.50 |
| YCE48B21S     | TM8V080C16MP11 | 21.0  | CF/CM/CU60C                | 1325         | 47.0    | 33.0  | 15.50 | 12.75 |
| YCE48B21S     | TM8V080C16MP11 | 21.0  | CF/CM/CU60D                | 1325         | 47.0    | 33.0  | 15.50 | 12.75 |
| YCE48B21S     | TM8V080C16MP11 | 21.0  | CF/CM64D                   | 1400         | 48.0    | 34.5  | 15.50 | 12.75 |
| YCE48B21S     | TM8V100C16MP11 | 21.0  | CF/CM/CU48C                | 1325         | 47.0    | 33.0  | 15.00 | 12.50 |
| YCE48B21S     | TM8V100C16MP11 | 21.0  | CF/CM/CU48D                | 1300         | 48.0    | 33.5  | 15.25 | 12.50 |
| YCE48B21S     | TM8V100C16MP11 | 21.0  | CF/CM/CU60C                | 1325         | 47.0    | 33.0  | 15.50 | 12.75 |
| YCE48B21S     | TM8V100C16MP11 | 21.0  | CF/CM/CU60D                | 1325         | 47.0    | 33.0  | 15.50 | 12.75 |
| YCE48B21S     | TM8V100C16MP11 | 21.0  | CF/CM64D                   | 1400         | 48.0    | 34.5  | 15.50 | 12.75 |
| YCE48B21S     | TM8V100C20MP11 | 21.0  | CF/CM/CU48C                | 1300         | 47.0    | 33.0  | 15.00 | 12.50 |
| YCE48B21S     | TM8V100C20MP11 | 21.0  | CF/CM/CU48D                | 1650         | 48.0    | 35.5  | 15.50 | 12.75 |
| YCE48B21S     | TM8V100C20MP11 | 21.0  | CF/CM/CU60C                | 1400         | 47.5    | 34.0  | 15.25 | 12.75 |
| YCE48B21S     | TM8V100C20MP11 | 21.0  | CF/CM/CU60D                | 1350         | 47.0    | 33.0  | 15.00 | 12.50 |
| YCE48B21S     | TM8V100C20MP11 | 21.0  | CF/CM64D                   | 1425         | 47.5    | 34.5  | 15.25 | 12.50 |
| YCE48B21S     | TM8V120C20MP11 | 21.0  | CF/CM/CU48C                | 1300         | 47.0    | 33.0  | 15.00 | 12.50 |
| YCE48B21S     | TM8V120C20MP11 | 21.0  | CF/CM/CU48D                | 1650         | 48.0    | 35.5  | 15.50 | 12.75 |
| YCE48B21S     | TM8V120C20MP11 | 21.0  | CF/CM/CU60C                | 1400         | 47.5    | 34.0  | 15.25 | 12.75 |
| YCE48B21S     | TM8V120C20MP11 | 21.0  | CF/CM/CU60D                | 1350         | 47.0    | 33.0  | 15.00 | 12.50 |
| YCE48B21S     | TM8V120C20MP11 | 21.0  | CF/CM64D                   | 1425         | 47.5    | 34.5  | 15.25 | 12.50 |
| YCE48B21S     | TM8X080C16MP11 | 21.0  | CF/CM/CU48C                | 1400         | 47.5    | 34.5  | 15.00 | 12.25 |
| YCE48B21S     | TM8X080C16MP11 | 21.0  | CF/CM/CU48D                | 1425         | 47.5    | 34.0  | 15.25 | 12.50 |
| YCE48B21S     | TM8X080C16MP11 | 21.0  | CF/CM/CU60C                | 1400         | 47.5    | 34.0  | 15.25 | 12.50 |
| YCE48B21S     | TM8X080C16MP11 | 21.0  | CF/CM/CU60D                | 1425         | 47.5    | 34.0  | 15.25 | 12.50 |
| YCE48B21S     | TM8X080C16MP11 | 21.0  | CF/CM64D                   | 1400         | 47.5    | 34.0  | 15.50 | 12.75 |
| YCE48B21S     | TM8X100C16MP11 | 21.0  | CF/CM/CU48C                | 1400         | 47.5    | 34.5  | 15.00 | 12.25 |
| YCE48B21S     | TM8X100C16MP11 | 21.0  | CF/CM/CU48D                | 1425         | 47.5    | 34.0  | 15.25 | 12.50 |
| YCE48B21S     | TM8X100C16MP11 | 21.0  | CF/CM/CU60C                | 1400         | 47.5    | 34.0  | 15.25 | 12.50 |
| YCE48B21S     | TM8X100C16MP11 | 21.0  | CF/CM/CU60D                | 1425         | 47.5    | 34.0  | 15.25 | 12.50 |
| YCE48B21S     | TM8X100C16MP11 | 21.0  | CF/CM64D                   | 1400         | 47.5    | 34.0  | 15.50 | 12.75 |
| YCE48B21S     | TM8X100C20MP11 | 21.0  | CF/CM/CU48C                | 1425         | 47.0    | 33.5  | 15.25 | 12.50 |
| YCE48B21S     | TM8X100C20MP11 | 21.0  | CF/CM/CU48D                | 1300         | 47.0    | 33.0  | 15.50 | 12.75 |
| YCE48B21S     | TM8X100C20MP11 | 21.0  | CF/CM/CU60C                | 1450         | 47.5    | 35.0  | 15.50 | 12.75 |
| YCE48B21S     | TM8X100C20MP11 | 21.0  | CF/CM/CU60D                | 1475         | 48.0    | 35.0  | 15.50 | 12.75 |
| YCE48B21S     | TM8X100C20MP11 | 21.0  | CF/CM64D                   | 1450         | 47.5    | 34.5  | 15.75 | 12.75 |
| YCE48B21S     | TM8X120C20MP11 | 21.0  | CF/CM/CU48C                | 1425         | 47.0    | 33.5  | 15.25 | 12.50 |
| YCE48B21S     | TM8X120C20MP11 | 21.0  | CF/CM/CU48D                | 1300         | 47.0    | 33.0  | 15.50 | 12.75 |
| YCE48B21S     | TM8X120C20MP11 | 21.0  | CF/CM/CU60C                | 1450         | 47.5    | 35.0  | 15.50 | 12.75 |
| YCE48B21S     | TM8X120C20MP11 | 21.0  | CF/CM/CU60D                | 1475         | 48.0    | 35.0  | 15.50 | 12.75 |
| YCE48B21S     | TM8X120C20MP11 | 21.0  | CF/CM64D                   | 1450         | 47.5    | 34.5  | 15.75 | 12.75 |
| YCE48B21S     | TM8Y080C16MP11 | 21.0  | CF/CM/CU48C                | 1400         | 47.5    | 34.5  | 15.00 | 12.25 |
| YCE48B21S     | TM8Y080C16MP11 | 21.0  | CF/CM/CU48D                | 1425         | 47.5    | 34.0  | 15.25 | 12.50 |
| YCE48B21S     | TM8Y080C16MP11 | 21.0  | CF/CM/CU60C                | 1400         | 47.5    | 34.0  | 15.25 | 12.50 |
| YCE48B21S     | TM8Y080C16MP11 | 21.0  | CF/CM/CU60D                | 1425         | 47.5    | 34.0  | 15.25 | 12.50 |
| YCE48B21S     | TM8Y080C16MP11 | 21.0  | CF/CM64D                   | 1400         | 47.5    | 34.0  | 15.50 | 12.75 |
| YCE48B21S     | TM8Y100C16MP11 | 21.0  | CF/CM/CU48C                | 1400         | 47.5    | 34.5  | 15.00 | 12.25 |

For notes see Page 40.

**COOLING CAPACITY - With High Efficiency Motor Furnaces<sup>1</sup> (Continued)**

| UNIT<br>MODEL | FURNACE        |       | COIL<br>MODEL <sup>2</sup> | COOLING      |         |       |       |       |
|---------------|----------------|-------|----------------------------|--------------|---------|-------|-------|-------|
|               | MODEL          | WIDTH |                            | RATED<br>CFM | NET MBH |       | SEER  | EER   |
|               |                |       |                            |              | TOTAL   | SENS. |       |       |
| YCE48B21S     | TM8Y100C16MP11 | 21.0  | CF/CM/CU48D                | 1425         | 47.5    | 34.0  | 15.25 | 12.50 |
| YCE48B21S     | TM8Y100C16MP11 | 21.0  | CF/CM/CU60C                | 1400         | 47.5    | 34.0  | 15.25 | 12.50 |
| YCE48B21S     | TM8Y100C16MP11 | 21.0  | CF/CM/CU60D                | 1425         | 47.5    | 34.0  | 15.25 | 12.50 |
| YCE48B21S     | TM8Y100C16MP11 | 21.0  | CF/CM64D                   | 1400         | 47.5    | 34.0  | 15.50 | 12.75 |
| YCE48B21S     | TM8Y100C20MP11 | 21.0  | CF/CM/CU48C                | 1425         | 47.0    | 33.5  | 15.25 | 12.50 |
| YCE48B21S     | TM8Y100C20MP11 | 21.0  | CF/CM/CU48D                | 1300         | 47.0    | 33.0  | 15.50 | 12.75 |
| YCE48B21S     | TM8Y100C20MP11 | 21.0  | CF/CM/CU60C                | 1450         | 47.5    | 35.0  | 15.50 | 12.75 |
| YCE48B21S     | TM8Y100C20MP11 | 21.0  | CF/CM/CU60D                | 1475         | 48.0    | 35.0  | 15.50 | 12.75 |
| YCE48B21S     | TM8Y100C20MP11 | 21.0  | CF/CM64D                   | 1450         | 47.5    | 34.5  | 15.75 | 12.75 |
| YCE48B21S     | TM8Y120C20MP11 | 21.0  | CF/CM/CU48C                | 1425         | 47.0    | 33.5  | 15.25 | 12.50 |
| YCE48B21S     | TM8Y120C20MP11 | 21.0  | CF/CM/CU48D                | 1300         | 47.0    | 33.0  | 15.50 | 12.75 |
| YCE48B21S     | TM8Y120C20MP11 | 21.0  | CF/CM/CU60C                | 1450         | 47.5    | 35.0  | 15.50 | 12.75 |
| YCE48B21S     | TM8Y120C20MP11 | 21.0  | CF/CM/CU60D                | 1475         | 48.0    | 35.0  | 15.50 | 12.75 |
| YCE48B21S     | TM8Y120C20MP11 | 21.0  | CF/CM64D                   | 1450         | 47.5    | 34.5  | 15.75 | 12.75 |
| YCE48B21S     | TM9E080C16MP11 | 21.0  | CF/CM/CU48C                | 1325         | 46.5    | 32.5  | 14.75 | 12.25 |
| YCE48B21S     | TM9E080C16MP11 | 21.0  | CF/CM/CU48D                | 1350         | 46.5    | 32.5  | 14.75 | 12.25 |
| YCE48B21S     | TM9E080C16MP11 | 21.0  | CF/CM/CU60C                | 1325         | 47.5    | 33.5  | 15.00 | 12.50 |
| YCE48B21S     | TM9E080C16MP11 | 21.0  | CF/CM/CU60D                | 1325         | 47.0    | 33.0  | 15.00 | 12.50 |
| YCE48B21S     | TM9E080C16MP11 | 21.0  | CF/CM64D                   | 1350         | 47.0    | 32.5  | 15.25 | 12.50 |
| YCE48B21S     | TM9E100C16MP11 | 21.0  | CF/CM/CU48C                | 1325         | 46.5    | 32.5  | 14.75 | 12.25 |
| YCE48B21S     | TM9E100C16MP11 | 21.0  | CF/CM/CU48D                | 1350         | 46.5    | 32.5  | 14.75 | 12.25 |
| YCE48B21S     | TM9E100C16MP11 | 21.0  | CF/CM/CU60C                | 1325         | 47.5    | 33.5  | 15.00 | 12.50 |
| YCE48B21S     | TM9E100C16MP11 | 21.0  | CF/CM/CU60D                | 1325         | 47.0    | 33.0  | 15.00 | 12.50 |
| YCE48B21S     | TM9E100C16MP11 | 21.0  | CF/CM64D                   | 1350         | 47.0    | 32.5  | 15.25 | 12.50 |
| YCE48B21S     | TM9E100C20MP11 | 21.0  | CF/CM/CU48C                | 1400         | 47.0    | 34.0  | 15.00 | 12.50 |
| YCE48B21S     | TM9E100C20MP11 | 21.0  | CF/CM/CU48D                | 1425         | 47.5    | 34.0  | 15.25 | 12.50 |
| YCE48B21S     | TM9E100C20MP11 | 21.0  | CF/CM/CU60C                | 1400         | 47.5    | 34.0  | 15.25 | 12.50 |
| YCE48B21S     | TM9E100C20MP11 | 21.0  | CF/CM/CU60D                | 1450         | 47.5    | 35.0  | 15.50 | 12.75 |
| YCE48B21S     | TM9E100C20MP11 | 21.0  | CF/CM64D                   | 1400         | 47.5    | 34.0  | 15.50 | 12.75 |
| YCE48B21S     | TM9E120D20MP11 | 24.5  | CF/CM/CU48D                | 1425         | 47.0    | 33.5  | 15.25 | 12.50 |
| YCE48B21S     | TM9E120D20MP11 | 24.5  | CF/CM/CU60D                | 1425         | 47.0    | 34.0  | 15.50 | 12.75 |
| YCE48B21S     | TM9E120D20MP11 | 24.5  | CF/CM64D                   | 1400         | 47.0    | 34.0  | 15.50 | 12.75 |
| YCE48B21S     | TM9V080C16MP11 | 21.0  | CF/CM/CU48C                | 1425         | 48.0    | 34.5  | 15.25 | 12.50 |
| YCE48B21S     | TM9V080C16MP11 | 21.0  | CF/CM/CU48D                | 1425         | 47.0    | 33.5  | 15.50 | 12.75 |
| YCE48B21S     | TM9V080C16MP11 | 21.0  | CF/CM/CU60C                | 1325         | 46.5    | 33.0  | 15.25 | 12.50 |
| YCE48B21S     | TM9V080C16MP11 | 21.0  | CF/CM/CU60D                | 1425         | 47.0    | 34.0  | 15.00 | 12.50 |
| YCE48B21S     | TM9V080C16MP11 | 21.0  | CF/CM64D                   | 1300         | 46.5    | 32.5  | 15.50 | 12.75 |
| YCE48B21S     | TM9V100C16MP11 | 21.0  | CF/CM/CU48C                | 1425         | 48.0    | 34.5  | 15.25 | 12.50 |
| YCE48B21S     | TM9V100C16MP11 | 21.0  | CF/CM/CU48D                | 1425         | 47.0    | 33.5  | 15.50 | 12.75 |
| YCE48B21S     | TM9V100C16MP11 | 21.0  | CF/CM/CU60C                | 1325         | 46.5    | 33.0  | 15.25 | 12.50 |
| YCE48B21S     | TM9V100C16MP11 | 21.0  | CF/CM/CU60D                | 1425         | 47.0    | 34.0  | 15.00 | 12.50 |
| YCE48B21S     | TM9V100C16MP11 | 21.0  | CF/CM64D                   | 1300         | 46.5    | 32.5  | 15.50 | 12.75 |
| YCE48B21S     | TM9V100C20MP11 | 21.0  | CF/CM/CU48C                | 1450         | 48.0    | 34.5  | 14.75 | 12.25 |
| YCE48B21S     | TM9V100C20MP11 | 21.0  | CF/CM/CU48D                | 1300         | 48.0    | 33.5  | 15.25 | 12.75 |
| YCE48B21S     | TM9V100C20MP11 | 21.0  | CF/CM/CU60C                | 1500         | 48.0    | 35.5  | 14.75 | 12.25 |
| YCE48B21S     | TM9V100C20MP11 | 21.0  | CF/CM/CU60D                | 1325         | 46.5    | 32.5  | 15.25 | 12.50 |
| YCE48B21S     | TM9V100C20MP11 | 21.0  | CF/CM64D                   | 1300         | 46.5    | 32.5  | 15.50 | 12.75 |
| YCE48B21S     | TM9V120D20MP11 | 24.5  | CF/CM/CU48D                | 1300         | 46.5    | 32.5  | 15.25 | 12.50 |
| YCE48B21S     | TM9V120D20MP11 | 24.5  | CF/CM/CU60D                | 1300         | 46.5    | 32.5  | 15.50 | 12.75 |

For notes see Page 40.



COOLING CAPACITY - With High Efficiency Motor Furnaces<sup>1</sup> (Continued)

| UNIT<br>MODEL | FURNACE        |       | COIL<br>MODEL <sup>2</sup> | COOLING      |         |       |       |       |
|---------------|----------------|-------|----------------------------|--------------|---------|-------|-------|-------|
|               | MODEL          | WIDTH |                            | RATED<br>CFM | NET MBH |       | SEER  | EER   |
|               |                |       |                            |              | TOTAL   | SENS. |       |       |
| YCE48B21S     | TM9V120D20MP11 | 24.5  | CF/CM64D                   | 1525         | 48.0    | 35.5  | 15.25 | 12.50 |
| YCE48B21S     | TM9Y080C16MP11 | 21.0  | CF/CM/CU48C                | 1325         | 46.5    | 32.5  | 14.75 | 12.25 |
| YCE48B21S     | TM9Y080C16MP11 | 21.0  | CF/CM/CU48D                | 1350         | 46.5    | 32.5  | 14.75 | 12.25 |
| YCE48B21S     | TM9Y080C16MP11 | 21.0  | CF/CM/CU60C                | 1325         | 47.5    | 33.5  | 15.00 | 12.50 |
| YCE48B21S     | TM9Y080C16MP11 | 21.0  | CF/CM/CU60D                | 1325         | 47.0    | 33.0  | 15.00 | 12.50 |
| YCE48B21S     | TM9Y080C16MP11 | 21.0  | CF/CM64D                   | 1350         | 47.0    | 32.5  | 15.25 | 12.50 |
| YCE48B21S     | TM9Y100C16MP11 | 21.0  | CF/CM/CU48C                | 1325         | 46.5    | 32.5  | 14.75 | 12.25 |
| YCE48B21S     | TM9Y100C16MP11 | 21.0  | CF/CM/CU48D                | 1350         | 46.5    | 32.5  | 14.75 | 12.25 |
| YCE48B21S     | TM9Y100C16MP11 | 21.0  | CF/CM/CU60C                | 1325         | 47.5    | 33.5  | 15.00 | 12.50 |
| YCE48B21S     | TM9Y100C16MP11 | 21.0  | CF/CM/CU60D                | 1325         | 47.0    | 33.0  | 15.00 | 12.50 |
| YCE48B21S     | TM9Y100C16MP11 | 21.0  | CF/CM64D                   | 1350         | 47.0    | 32.5  | 15.25 | 12.50 |
| YCE48B21S     | TM9Y100C20MP11 | 21.0  | CF/CM/CU48C                | 1400         | 47.0    | 34.0  | 15.00 | 12.50 |
| YCE48B21S     | TM9Y100C20MP11 | 21.0  | CF/CM/CU48D                | 1425         | 47.5    | 34.0  | 15.25 | 12.50 |
| YCE48B21S     | TM9Y100C20MP11 | 21.0  | CF/CM/CU60C                | 1400         | 47.5    | 34.0  | 15.25 | 12.50 |
| YCE48B21S     | TM9Y100C20MP11 | 21.0  | CF/CM/CU60D                | 1450         | 47.5    | 35.0  | 15.50 | 12.75 |
| YCE48B21S     | TM9Y100C20MP11 | 21.0  | CF/CM64D                   | 1400         | 47.5    | 34.0  | 15.50 | 12.75 |
| YCE48B21S     | TM9Y120D20MP11 | 24.5  | CF/CM/CU48D                | 1425         | 47.0    | 33.5  | 15.25 | 12.50 |
| YCE48B21S     | TM9Y120D20MP11 | 24.5  | CF/CM/CU60D                | 1425         | 47.0    | 34.0  | 15.50 | 12.75 |
| YCE48B21S     | TM9Y120D20MP11 | 24.5  | CF/CM64D                   | 1400         | 47.0    | 34.0  | 15.50 | 12.75 |
| YCE48B21S     | TMLV080C16MP11 | 21.0  | CF/CM/CU48C                | 1325         | 47.0    | 33.0  | 15.00 | 12.50 |
| YCE48B21S     | TMLV080C16MP11 | 21.0  | CF/CM/CU48D                | 1300         | 48.0    | 33.5  | 15.25 | 12.50 |
| YCE48B21S     | TMLV080C16MP11 | 21.0  | CF/CM/CU60C                | 1325         | 47.0    | 33.0  | 15.50 | 12.75 |
| YCE48B21S     | TMLV080C16MP11 | 21.0  | CF/CM/CU60D                | 1325         | 47.0    | 33.0  | 15.50 | 12.75 |
| YCE48B21S     | TMLV080C16MP11 | 21.0  | CF/CM64D                   | 1400         | 48.0    | 34.5  | 15.50 | 12.75 |
| YCE48B21S     | TMLV100C16MP11 | 21.0  | CF/CM/CU48C                | 1325         | 47.0    | 33.0  | 15.00 | 12.50 |
| YCE48B21S     | TMLV100C16MP11 | 21.0  | CF/CM/CU48D                | 1300         | 48.0    | 33.5  | 15.25 | 12.50 |
| YCE48B21S     | TMLV100C16MP11 | 21.0  | CF/CM/CU60C                | 1325         | 47.0    | 33.0  | 15.50 | 12.75 |
| YCE48B21S     | TMLV100C16MP11 | 21.0  | CF/CM/CU60D                | 1325         | 47.0    | 33.0  | 15.50 | 12.75 |
| YCE48B21S     | TMLV100C16MP11 | 21.0  | CF/CM64D                   | 1400         | 48.0    | 34.5  | 15.50 | 12.75 |
| YCE48B21S     | TMLV100C20MP11 | 21.0  | CF/CM/CU48C                | 1300         | 47.0    | 33.0  | 15.00 | 12.50 |
| YCE48B21S     | TMLV100C20MP11 | 21.0  | CF/CM/CU48D                | 1650         | 48.0    | 35.5  | 15.50 | 12.75 |
| YCE48B21S     | TMLV100C20MP11 | 21.0  | CF/CM/CU60C                | 1400         | 47.5    | 34.0  | 15.25 | 12.75 |
| YCE48B21S     | TMLV100C20MP11 | 21.0  | CF/CM/CU60D                | 1350         | 47.0    | 33.0  | 15.00 | 12.50 |
| YCE48B21S     | TMLV100C20MP11 | 21.0  | CF/CM64D                   | 1425         | 47.5    | 34.5  | 15.25 | 12.50 |
| YCE48B21S     | TMLV120C20MP11 | 21.0  | CF/CM/CU48C                | 1300         | 47.0    | 33.0  | 15.00 | 12.50 |
| YCE48B21S     | TMLV120C20MP11 | 21.0  | CF/CM/CU48D                | 1650         | 48.0    | 35.5  | 15.50 | 12.75 |
| YCE48B21S     | TMLV120C20MP11 | 21.0  | CF/CM/CU60C                | 1400         | 47.5    | 34.0  | 15.25 | 12.75 |
| YCE48B21S     | TMLV120C20MP11 | 21.0  | CF/CM/CU60D                | 1350         | 47.0    | 33.0  | 15.00 | 12.50 |
| YCE48B21S     | TMLV120C20MP11 | 21.0  | CF/CM64D                   | 1425         | 47.5    | 34.5  | 15.25 | 12.50 |
| YCE48B21S     | TMLX080C16MP11 | 21.0  | CF/CM/CU48C                | 1400         | 47.5    | 34.5  | 15.00 | 12.25 |
| YCE48B21S     | TMLX080C16MP11 | 21.0  | CF/CM/CU48D                | 1425         | 47.5    | 34.0  | 15.25 | 12.50 |
| YCE48B21S     | TMLX080C16MP11 | 21.0  | CF/CM/CU60C                | 1400         | 47.5    | 34.0  | 15.25 | 12.50 |
| YCE48B21S     | TMLX080C16MP11 | 21.0  | CF/CM/CU60D                | 1425         | 47.5    | 34.0  | 15.25 | 12.50 |
| YCE48B21S     | TMLX080C16MP11 | 21.0  | CF/CM64D                   | 1400         | 47.5    | 34.0  | 15.50 | 12.75 |
| YCE48B21S     | TMLX100C16MP11 | 21.0  | CF/CM/CU48C                | 1400         | 47.5    | 34.5  | 15.00 | 12.25 |
| YCE48B21S     | TMLX100C16MP11 | 21.0  | CF/CM/CU48D                | 1425         | 47.5    | 34.0  | 15.25 | 12.50 |
| YCE48B21S     | TMLX100C16MP11 | 21.0  | CF/CM/CU60C                | 1400         | 47.5    | 34.0  | 15.25 | 12.50 |
| YCE48B21S     | TMLX100C16MP11 | 21.0  | CF/CM/CU60D                | 1425         | 47.5    | 34.0  | 15.25 | 12.50 |
| YCE48B21S     | TMLX100C16MP11 | 21.0  | CF/CM64D                   | 1400         | 47.5    | 34.0  | 15.50 | 12.75 |

For notes see Page 40.

**COOLING CAPACITY - With High Efficiency Motor Furnaces<sup>1</sup> (Continued)**

| UNIT<br>MODEL | FURNACE        |       | COIL<br>MODEL <sup>2</sup> | COOLING      |         |       |       |       |
|---------------|----------------|-------|----------------------------|--------------|---------|-------|-------|-------|
|               | MODEL          | WIDTH |                            | RATED<br>CFM | NET MBH |       | SEER  | EER   |
|               |                |       |                            |              | TOTAL   | SENS. |       |       |
| YCE48B21S     | TMLX100C20MP11 | 21.0  | CF/CM/CU48C                | 1425         | 47.0    | 33.5  | 15.25 | 12.50 |
| YCE48B21S     | TMLX100C20MP11 | 21.0  | CF/CM/CU48D                | 1300         | 47.0    | 33.0  | 15.50 | 12.75 |
| YCE48B21S     | TMLX100C20MP11 | 21.0  | CF/CM/CU60C                | 1450         | 47.5    | 35.0  | 15.50 | 12.75 |
| YCE48B21S     | TMLX100C20MP11 | 21.0  | CF/CM/CU60D                | 1475         | 48.0    | 35.0  | 15.50 | 12.75 |
| YCE48B21S     | TMLX100C20MP11 | 21.0  | CF/CM64D                   | 1450         | 47.5    | 34.5  | 15.75 | 12.75 |
| YCE48B21S     | TMLX120C20MP11 | 21.0  | CF/CM/CU48C                | 1425         | 47.0    | 33.5  | 15.25 | 12.50 |
| YCE48B21S     | TMLX120C20MP11 | 21.0  | CF/CM/CU48D                | 1300         | 47.0    | 33.0  | 15.50 | 12.75 |
| YCE48B21S     | TMLX120C20MP11 | 21.0  | CF/CM/CU60C                | 1450         | 47.5    | 35.0  | 15.50 | 12.75 |
| YCE48B21S     | TMLX120C20MP11 | 21.0  | CF/CM/CU60D                | 1475         | 48.0    | 35.0  | 15.50 | 12.75 |
| YCE48B21S     | TMLX120C20MP11 | 21.0  | CF/CM64D                   | 1450         | 47.5    | 34.5  | 15.75 | 12.75 |
| YCE48B21S     | TP9C080C16MP12 | 21.0  | CF/CM/CU48C                | 1425         | 48.0    | 34.5  | 15.25 | 12.50 |
| YCE48B21S     | TP9C080C16MP12 | 21.0  | CF/CM/CU48D                | 1425         | 47.0    | 33.5  | 15.50 | 12.75 |
| YCE48B21S     | TP9C080C16MP12 | 21.0  | CF/CM/CU60C                | 1325         | 46.5    | 33.0  | 15.25 | 12.50 |
| YCE48B21S     | TP9C080C16MP12 | 21.0  | CF/CM/CU60D                | 1425         | 47.0    | 34.0  | 15.00 | 12.50 |
| YCE48B21S     | TP9C080C16MP12 | 21.0  | CF/CM64D                   | 1300         | 46.5    | 32.5  | 15.50 | 12.75 |
| YCE48B21S     | TP9C100C16MP12 | 21.0  | CF/CM/CU48C                | 1425         | 48.0    | 34.5  | 15.25 | 12.50 |
| YCE48B21S     | TP9C100C16MP12 | 21.0  | CF/CM/CU48D                | 1425         | 47.0    | 33.5  | 15.50 | 12.75 |
| YCE48B21S     | TP9C100C16MP12 | 21.0  | CF/CM/CU60C                | 1325         | 46.5    | 33.0  | 15.25 | 12.50 |
| YCE48B21S     | TP9C100C16MP12 | 21.0  | CF/CM/CU60D                | 1425         | 47.0    | 34.0  | 15.00 | 12.50 |
| YCE48B21S     | TP9C100C16MP12 | 21.0  | CF/CM64D                   | 1300         | 46.5    | 32.5  | 15.50 | 12.75 |
| YCE48B21S     | TP9C100C20MP12 | 21.0  | CF/CM/CU48C                | 1450         | 48.0    | 34.5  | 14.75 | 12.25 |
| YCE48B21S     | TP9C100C20MP12 | 21.0  | CF/CM/CU48D                | 1300         | 48.0    | 33.5  | 15.25 | 12.75 |
| YCE48B21S     | TP9C100C20MP12 | 21.0  | CF/CM/CU60C                | 1500         | 48.0    | 35.5  | 14.75 | 12.25 |
| YCE48B21S     | TP9C100C20MP12 | 21.0  | CF/CM/CU60D                | 1325         | 46.5    | 32.5  | 15.25 | 12.50 |
| YCE48B21S     | TP9C100C20MP12 | 21.0  | CF/CM64D                   | 1300         | 46.5    | 32.5  | 15.50 | 12.75 |
| YCE48B21S     | TP9C120D20MP12 | 21.0  | CF/CM/CU48D                | 1300         | 46.5    | 32.5  | 15.25 | 12.50 |
| YCE48B21S     | TP9C120D20MP12 | 21.0  | CF/CM/CU60D                | 1300         | 46.5    | 32.5  | 15.50 | 12.75 |
| YCE48B21S     | TP9C120D20MP12 | 21.0  | CF/CM64D                   | 1525         | 48.0    | 35.5  | 15.25 | 12.50 |
| YCE48B21S     | TPLC080C16MP12 | 21.0  | CF/CM/CU48C                | 1325         | 47.0    | 33.0  | 15.00 | 12.50 |
| YCE48B21S     | TPLC080C16MP12 | 21.0  | CF/CM/CU48D                | 1300         | 48.0    | 33.5  | 15.25 | 12.50 |
| YCE48B21S     | TPLC080C16MP12 | 21.0  | CF/CM/CU60C                | 1325         | 47.0    | 33.0  | 15.50 | 12.75 |
| YCE48B21S     | TPLC080C16MP12 | 21.0  | CF/CM/CU60D                | 1325         | 47.0    | 33.0  | 15.50 | 12.75 |
| YCE48B21S     | TPLC080C16MP12 | 21.0  | CF/CM64D                   | 1400         | 48.0    | 34.5  | 15.50 | 12.75 |
| YCE48B21S     | TPLC100C16MP12 | 21.0  | CF/CM/CU48C                | 1325         | 47.0    | 33.0  | 15.00 | 12.50 |
| YCE48B21S     | TPLC100C16MP12 | 21.0  | CF/CM/CU48D                | 1300         | 48.0    | 33.5  | 15.25 | 12.50 |
| YCE48B21S     | TPLC100C16MP12 | 21.0  | CF/CM/CU60C                | 1325         | 47.0    | 33.0  | 15.50 | 12.75 |
| YCE48B21S     | TPLC100C16MP12 | 21.0  | CF/CM/CU60D                | 1325         | 47.0    | 33.0  | 15.50 | 12.75 |
| YCE48B21S     | TPLC100C16MP12 | 21.0  | CF/CM64D                   | 1400         | 48.0    | 34.5  | 15.50 | 12.75 |
| YCE48B21S     | TPLC100C20MP12 | 21.0  | CF/CM/CU48C                | 1300         | 47.0    | 33.0  | 15.00 | 12.50 |
| YCE48B21S     | TPLC100C20MP12 | 21.0  | CF/CM/CU48D                | 1650         | 48.0    | 35.5  | 15.50 | 12.75 |
| YCE48B21S     | TPLC100C20MP12 | 21.0  | CF/CM/CU60C                | 1400         | 47.5    | 34.0  | 15.25 | 12.75 |
| YCE48B21S     | TPLC100C20MP12 | 21.0  | CF/CM/CU60D                | 1350         | 47.0    | 33.0  | 15.00 | 12.50 |
| YCE48B21S     | TPLC100C20MP12 | 21.0  | CF/CM64D                   | 1425         | 47.5    | 34.5  | 15.25 | 12.50 |
| YCE48B21S     | TPLC120C20MP12 | 21.0  | CF/CM/CU48C                | 1300         | 47.0    | 33.0  | 15.00 | 12.50 |
| YCE48B21S     | TPLC120C20MP12 | 21.0  | CF/CM/CU48D                | 1650         | 48.0    | 35.5  | 15.50 | 12.75 |
| YCE48B21S     | TPLC120C20MP12 | 21.0  | CF/CM/CU60C                | 1400         | 47.5    | 34.0  | 15.25 | 12.75 |
| YCE48B21S     | TPLC120C20MP12 | 21.0  | CF/CM/CU60D                | 1350         | 47.0    | 33.0  | 15.00 | 12.50 |
| YCE48B21S     | TPLC120C20MP12 | 21.0  | CF/CM64D                   | 1425         | 47.5    | 34.5  | 15.25 | 12.50 |
| YCE48B21S     | YP9C080C16MP12 | 21.0  | CF/CM/CU48C                | 1425         | 48.0    | 34.5  | 15.25 | 12.50 |

For notes see Page 40.

COOLING CAPACITY - With High Efficiency Motor Furnaces<sup>1</sup> (Continued)

| UNIT<br>MODEL | FURNACE        |       | COIL<br>MODEL <sup>2</sup> | COOLING      |         |       |       |       |
|---------------|----------------|-------|----------------------------|--------------|---------|-------|-------|-------|
|               | MODEL          | WIDTH |                            | RATED<br>CFM | NET MBH |       | SEER  | EER   |
|               |                |       |                            |              | TOTAL   | SENS. |       |       |
| YCE48B21S     | YP9C080C16MP12 | 21.0  | CF/CM/CU48D                | 1425         | 47.0    | 33.5  | 15.50 | 12.75 |
| YCE48B21S     | YP9C080C16MP12 | 21.0  | CF/CM/CU60C                | 1325         | 46.5    | 33.0  | 15.25 | 12.50 |
| YCE48B21S     | YP9C080C16MP12 | 21.0  | CF/CM/CU60D                | 1425         | 47.0    | 34.0  | 15.00 | 12.50 |
| YCE48B21S     | YP9C080C16MP12 | 21.0  | CF/CM64D                   | 1300         | 46.5    | 32.5  | 15.50 | 12.75 |
| YCE48B21S     | YP9C100C16MP12 | 21.0  | CF/CM/CU48C                | 1425         | 48.0    | 34.5  | 15.25 | 12.50 |
| YCE48B21S     | YP9C100C16MP12 | 21.0  | CF/CM/CU48D                | 1425         | 47.0    | 33.5  | 15.50 | 12.75 |
| YCE48B21S     | YP9C100C16MP12 | 21.0  | CF/CM/CU60C                | 1325         | 46.5    | 33.0  | 15.25 | 12.50 |
| YCE48B21S     | YP9C100C16MP12 | 21.0  | CF/CM/CU60D                | 1425         | 47.0    | 34.0  | 15.00 | 12.50 |
| YCE48B21S     | YP9C100C16MP12 | 21.0  | CF/CM64D                   | 1300         | 46.5    | 32.5  | 15.50 | 12.75 |
| YCE48B21S     | YP9C100C20MP12 | 21.0  | CF/CM/CU48C                | 1450         | 48.0    | 34.5  | 14.75 | 12.25 |
| YCE48B21S     | YP9C100C20MP12 | 21.0  | CF/CM/CU48D                | 1300         | 48.0    | 33.5  | 15.25 | 12.75 |
| YCE48B21S     | YP9C100C20MP12 | 21.0  | CF/CM/CU60C                | 1500         | 48.0    | 35.5  | 14.75 | 12.25 |
| YCE48B21S     | YP9C100C20MP12 | 21.0  | CF/CM/CU60D                | 1325         | 46.5    | 32.5  | 15.25 | 12.50 |
| YCE48B21S     | YP9C100C20MP12 | 21.0  | CF/CM64D                   | 1300         | 46.5    | 32.5  | 15.50 | 12.75 |
| YCE48B21S     | YP9C120D20MP12 | 21.0  | CF/CM/CU48D                | 1300         | 46.5    | 32.5  | 15.25 | 12.50 |
| YCE48B21S     | YP9C120D20MP12 | 21.0  | CF/CM/CU60D                | 1300         | 46.5    | 32.5  | 15.50 | 12.75 |
| YCE48B21S     | YP9C120D20MP12 | 21.0  | CF/CM64D                   | 1525         | 48.0    | 35.5  | 15.25 | 12.50 |
| YCE48B21S     | YPLC080C16MP12 | 21.0  | CF/CM/CU48C                | 1325         | 47.0    | 33.0  | 15.00 | 12.50 |
| YCE48B21S     | YPLC080C16MP12 | 21.0  | CF/CM/CU48D                | 1300         | 48.0    | 33.5  | 15.25 | 12.50 |
| YCE48B21S     | YPLC080C16MP12 | 21.0  | CF/CM/CU60C                | 1325         | 47.0    | 33.0  | 15.50 | 12.75 |
| YCE48B21S     | YPLC080C16MP12 | 21.0  | CF/CM/CU60D                | 1325         | 47.0    | 33.0  | 15.50 | 12.75 |
| YCE48B21S     | YPLC080C16MP12 | 21.0  | CF/CM64D                   | 1400         | 48.0    | 34.5  | 15.50 | 12.75 |
| YCE48B21S     | YPLC100C16MP12 | 21.0  | CF/CM/CU48C                | 1325         | 47.0    | 33.0  | 15.00 | 12.50 |
| YCE48B21S     | YPLC100C16MP12 | 21.0  | CF/CM/CU48D                | 1300         | 48.0    | 33.5  | 15.25 | 12.50 |
| YCE48B21S     | YPLC100C16MP12 | 21.0  | CF/CM/CU60C                | 1325         | 47.0    | 33.0  | 15.50 | 12.75 |
| YCE48B21S     | YPLC100C16MP12 | 21.0  | CF/CM/CU60D                | 1325         | 47.0    | 33.0  | 15.50 | 12.75 |
| YCE48B21S     | YPLC100C16MP12 | 21.0  | CF/CM64D                   | 1400         | 48.0    | 34.5  | 15.50 | 12.75 |
| YCE48B21S     | YPLC100C20MP12 | 21.0  | CF/CM/CU48C                | 1300         | 47.0    | 33.0  | 15.00 | 12.50 |
| YCE48B21S     | YPLC100C20MP12 | 21.0  | CF/CM/CU48D                | 1650         | 48.0    | 35.5  | 15.50 | 12.75 |
| YCE48B21S     | YPLC100C20MP12 | 21.0  | CF/CM/CU60C                | 1400         | 47.5    | 34.0  | 15.25 | 12.75 |
| YCE48B21S     | YPLC100C20MP12 | 21.0  | CF/CM/CU60D                | 1350         | 47.0    | 33.0  | 15.00 | 12.50 |
| YCE48B21S     | YPLC100C20MP12 | 21.0  | CF/CM64D                   | 1425         | 47.5    | 34.5  | 15.25 | 12.50 |
| YCE48B21S     | YPLC120C20MP12 | 21.0  | CF/CM/CU48C                | 1300         | 47.0    | 33.0  | 15.00 | 12.50 |
| YCE48B21S     | YPLC120C20MP12 | 21.0  | CF/CM/CU48D                | 1650         | 48.0    | 35.5  | 15.50 | 12.75 |
| YCE48B21S     | YPLC120C20MP12 | 21.0  | CF/CM/CU60C                | 1400         | 47.5    | 34.0  | 15.25 | 12.75 |
| YCE48B21S     | YPLC120C20MP12 | 21.0  | CF/CM/CU60D                | 1350         | 47.0    | 33.0  | 15.00 | 12.50 |
| YCE48B21S     | YPLC120C20MP12 | 21.0  | CF/CM64D                   | 1425         | 47.5    | 34.5  | 15.25 | 12.50 |
| YCE60B21S     | TM8V080C16MP11 | 21.0  | CF/CM64D                   | 1650         | 56.5    | 40.0  | 14.00 | 11.75 |
| YCE60B21S     | TM8V100C16MP11 | 21.0  | CF/CM64D                   | 1650         | 56.5    | 40.0  | 14.00 | 11.75 |
| YCE60B21S     | TM8V100C20MP11 | 21.0  | CF/CM/CU60D                | 1700         | 55.5    | 39.5  | 14.00 | 11.75 |
| YCE60B21S     | TM8V120C20MP11 | 21.0  | CF/CM/CU60D                | 1700         | 55.5    | 39.5  | 14.00 | 11.75 |
| YCE60B21S     | TM8X100C20MP11 | 21.0  | CF/CM/CU60C                | 1625         | 56.0    | 40.0  | 14.25 | 12.00 |
| YCE60B21S     | TM8X100C20MP11 | 21.0  | CF/CM/CU60D                | 1650         | 56.0    | 40.0  | 14.25 | 12.00 |
| YCE60B21S     | TM8X100C20MP11 | 21.0  | CF/CM64D                   | 1625         | 57.0    | 40.5  | 14.50 | 12.25 |
| YCE60B21S     | TM8X120C20MP11 | 21.0  | CF/CM/CU60C                | 1625         | 56.0    | 40.0  | 14.25 | 12.00 |
| YCE60B21S     | TM8X120C20MP11 | 21.0  | CF/CM/CU60D                | 1650         | 56.0    | 40.0  | 14.25 | 12.00 |
| YCE60B21S     | TM8X120C20MP11 | 21.0  | CF/CM64D                   | 1625         | 57.0    | 40.5  | 14.50 | 12.25 |
| YCE60B21S     | TM8Y100C20MP11 | 21.0  | CF/CM/CU60C                | 1625         | 56.0    | 40.0  | 14.25 | 12.00 |
| YCE60B21S     | TM8Y100C20MP11 | 21.0  | CF/CM/CU60D                | 1650         | 56.0    | 40.0  | 14.25 | 12.00 |

For notes see Page 40.

**COOLING CAPACITY - With High Efficiency Motor Furnaces<sup>1</sup> (Continued)**

| UNIT<br>MODEL | FURNACE        |       | COIL<br>MODEL <sup>2</sup> | COOLING      |         |       |       |       |
|---------------|----------------|-------|----------------------------|--------------|---------|-------|-------|-------|
|               | MODEL          | WIDTH |                            | RATED<br>CFM | NET MBH |       | SEER  | EER   |
|               |                |       |                            |              | TOTAL   | SENS. |       |       |
| YCE60B21S     | TM8Y100C20MP11 | 21.0  | CF/CM64D                   | 1625         | 57.0    | 40.5  | 14.50 | 12.25 |
| YCE60B21S     | TM8Y120C20MP11 | 21.0  | CF/CM/CU60C                | 1625         | 56.0    | 40.0  | 14.25 | 12.00 |
| YCE60B21S     | TM8Y120C20MP11 | 21.0  | CF/CM/CU60D                | 1650         | 56.0    | 40.0  | 14.25 | 12.00 |
| YCE60B21S     | TM8Y120C20MP11 | 21.0  | CF/CM64D                   | 1625         | 57.0    | 40.5  | 14.50 | 12.25 |
| YCE60B21S     | TM9E100C20MP11 | 21.0  | CF/CM/CU60D                | 1625         | 56.0    | 40.0  | 14.00 | 12.00 |
| YCE60B21S     | TM9E120D20MP11 | 24.5  | CF/CM/CU60D                | 1625         | 56.0    | 40.0  | 14.25 | 12.00 |
| YCE60B21S     | TM9V080C16MP11 | 21.0  | CF/CM/CU60C                | 1650         | 55.5    | 40.0  | 14.00 | 11.75 |
| YCE60B21S     | TM9V080C16MP11 | 21.0  | CF/CM64D                   | 1650         | 57.0    | 40.5  | 14.25 | 12.00 |
| YCE60B21S     | TM9V100C16MP11 | 21.0  | CF/CM/CU60C                | 1650         | 55.5    | 40.0  | 14.00 | 11.75 |
| YCE60B21S     | TM9V100C16MP11 | 21.0  | CF/CM64D                   | 1650         | 57.0    | 40.5  | 14.25 | 12.00 |
| YCE60B21S     | TM9V100C20MP11 | 21.0  | CF/CM64D                   | 1675         | 56.5    | 40.0  | 14.00 | 11.75 |
| YCE60B21S     | TM9V120D20MP11 | 24.5  | CF/CM/CU60D                | 1775         | 56.5    | 41.5  | 14.00 | 11.75 |
| YCE60B21S     | TM9V120D20MP11 | 24.5  | CF/CM64D                   | 1750         | 57.0    | 42.0  | 14.00 | 11.75 |
| YCE60B21S     | TM9Y100C20MP11 | 21.0  | CF/CM/CU60D                | 1625         | 56.0    | 40.0  | 14.00 | 12.00 |
| YCE60B21S     | TM9Y120D20MP11 | 24.5  | CF/CM/CU60D                | 1625         | 56.0    | 40.0  | 14.25 | 12.00 |
| YCE60B21S     | TMLV080C16MP11 | 21.0  | CF/CM64D                   | 1650         | 56.5    | 40.0  | 14.00 | 11.75 |
| YCE60B21S     | TMLV100C16MP11 | 21.0  | CF/CM64D                   | 1650         | 56.5    | 40.0  | 14.00 | 11.75 |
| YCE60B21S     | TMLV100C20MP11 | 21.0  | CF/CM/CU60D                | 1700         | 55.5    | 39.5  | 14.00 | 11.75 |
| YCE60B21S     | TMLV120C20MP11 | 21.0  | CF/CM/CU60D                | 1700         | 55.5    | 39.5  | 14.00 | 11.75 |
| YCE60B21S     | TMLX100C20MP11 | 21.0  | CF/CM/CU60C                | 1625         | 56.0    | 40.0  | 14.25 | 12.00 |
| YCE60B21S     | TMLX100C20MP11 | 21.0  | CF/CM/CU60D                | 1650         | 56.0    | 40.0  | 14.25 | 12.00 |
| YCE60B21S     | TMLX100C20MP11 | 21.0  | CF/CM64D                   | 1625         | 57.0    | 40.5  | 14.50 | 12.25 |
| YCE60B21S     | TMLX120C20MP11 | 21.0  | CF/CM/CU60C                | 1625         | 56.0    | 40.0  | 14.25 | 12.00 |
| YCE60B21S     | TMLX120C20MP11 | 21.0  | CF/CM/CU60D                | 1650         | 56.0    | 40.0  | 14.25 | 12.00 |
| YCE60B21S     | TMLX120C20MP11 | 21.0  | CF/CM64D                   | 1625         | 57.0    | 40.5  | 14.50 | 12.25 |
| YCE60B21S     | TP9C080C16MP12 | 21.0  | CF/CM/CU60C                | 1650         | 55.5    | 40.0  | 14.00 | 11.75 |
| YCE60B21S     | TP9C080C16MP12 | 21.0  | CF/CM64D                   | 1650         | 57.0    | 40.5  | 14.25 | 12.00 |
| YCE60B21S     | TP9C100C16MP12 | 21.0  | CF/CM/CU60C                | 1650         | 55.5    | 40.0  | 14.00 | 11.75 |
| YCE60B21S     | TP9C100C16MP12 | 21.0  | CF/CM64D                   | 1650         | 57.0    | 40.5  | 14.25 | 12.00 |
| YCE60B21S     | TP9C100C20MP12 | 21.0  | CF/CM64D                   | 1675         | 56.5    | 40.0  | 14.00 | 11.75 |
| YCE60B21S     | TP9C120D20MP12 | 21.0  | CF/CM/CU60D                | 1775         | 56.5    | 41.5  | 14.00 | 11.75 |
| YCE60B21S     | TP9C120D20MP12 | 21.0  | CF/CM64D                   | 1750         | 57.0    | 42.0  | 14.00 | 11.75 |
| YCE60B21S     | TPLC080C16MP12 | 21.0  | CF/CM64D                   | 1650         | 56.5    | 40.0  | 14.00 | 11.75 |
| YCE60B21S     | TPLC100C16MP12 | 21.0  | CF/CM64D                   | 1650         | 56.5    | 40.0  | 14.00 | 11.75 |
| YCE60B21S     | TPLC100C20MP12 | 21.0  | CF/CM/CU60D                | 1700         | 55.5    | 39.5  | 14.00 | 11.75 |
| YCE60B21S     | TPLC120C20MP12 | 21.0  | CF/CM/CU60D                | 1700         | 55.5    | 39.5  | 14.00 | 11.75 |
| YCE60B21S     | YP9C080C16MP12 | 21.0  | CF/CM/CU60C                | 1650         | 55.5    | 40.0  | 14.00 | 11.75 |
| YCE60B21S     | YP9C080C16MP12 | 21.0  | CF/CM64D                   | 1650         | 57.0    | 40.5  | 14.25 | 12.00 |
| YCE60B21S     | YP9C100C16MP12 | 21.0  | CF/CM/CU60C                | 1650         | 55.5    | 40.0  | 14.00 | 11.75 |
| YCE60B21S     | YP9C100C16MP12 | 21.0  | CF/CM64D                   | 1650         | 57.0    | 40.5  | 14.25 | 12.00 |
| YCE60B21S     | YP9C100C20MP12 | 21.0  | CF/CM64D                   | 1675         | 56.5    | 40.0  | 14.00 | 11.75 |
| YCE60B21S     | YP9C120D20MP12 | 21.0  | CF/CM/CU60D                | 1775         | 56.5    | 41.5  | 14.00 | 11.75 |
| YCE60B21S     | YP9C120D20MP12 | 21.0  | CF/CM64D                   | 1750         | 57.0    | 42.0  | 14.00 | 11.75 |
| YCE60B21S     | YPLC080C16MP12 | 21.0  | CF/CM64D                   | 1650         | 56.5    | 40.0  | 14.00 | 11.75 |
| YCE60B21S     | YPLC100C16MP12 | 21.0  | CF/CM64D                   | 1650         | 56.5    | 40.0  | 14.00 | 11.75 |
| YCE60B21S     | YPLC100C20MP12 | 21.0  | CF/CM/CU60D                | 1700         | 55.5    | 39.5  | 14.00 | 11.75 |
| YCE60B21S     | YPLC120C20MP12 | 21.0  | CF/CM/CU60D                | 1700         | 55.5    | 39.5  | 14.00 | 11.75 |

For rated condition information, see the footnotes below the System Capacity - Single Piece and Modular Air Handlers table.

1. High Efficiency Motor Furnaces have B.O.D (Blower Off Delay) standard.
  2. CM coils available with a factory installed horizontal drain pan. See price pages for specific model number.
- PSC furnaces, such as the TG8S, TGLS, and TG9S, use Coil Only Ratings.

## ACCESSORIES

Refer to Price Manual for specific model numbers.

| Standard Application Limits*       |            |       |
|------------------------------------|------------|-------|
| Maximum Lineset Equivalent Length  | 80 Ft      |       |
| Outdoor Ambient Temperature Limits |            |       |
| Cooling Operation                  | Maximum DB | 125°F |
|                                    | Minimum DB | 55°F  |

\* For Low Ambient and/or Long Lineset Applications, please see the accessories listed below.

**Long Lineset Applications** - For installations with more than 80' of equivalent lineset length, refer to the current version of the Piping Application Guide 247077-UAD-H-0209, available in the Application Bulletins section on [www.upgnet.com](http://www.upgnet.com).

**OD Unit Anti Short Cycle Kit (10 Pack) S1-2TD08700124BK:** A time delay that prevents rapid compressor restarting as a result of power interruption, limit switch operation, or thermostat resetting. Not required for HP models, or for AC models with factory electronic controls.

**Standard Low Ambient Control Kit S1-2LA06700424:** Allows the use of air conditioning at low outdoor ambient temperatures down to +20°F (-7°C). For use with all R-410A single stage AC & HP models.

**Advanced Low Ambient Control Kit S1-2LA04701024:** Contains the necessary components and controls to allow cooling operation down to -20°F (-29°C). For use with all R-410A single stage AC & HP models.

**Low Pressure Switch Kit S1-2PS06700524:** Provides field installed low pressure (loss of charge) protection. Not required for HP models, or for AC models with factory electronic controls.

**High Ambient Condenser Fan Motor S1-FHM\*\*\*\*HT:** Class F 70°C motor to allow cooling operation up to 160°F air entering the condenser. For use with all R-410A single stage AC & HP models containing R-410A refrigerant only.

**Outdoor Communicating Board Kit (S1-33102952310):** Electronic control upgrade for standard AC & HP units to provide compatibility with the Residential Touch Screen Communicating Control.

**Start Assist Kit S1-2SA067\*\*\*\*:** Provides increased compressor starting torque for areas with low supply voltage. Required for units with recip compressors when applied with indoor TXV, and for all units when applied with long linesets or low ambient kits. May be factory installed on select AC & HP units (see Physical & Electrical Table). See Price Pages or Source1 SmartSearch for the correct kit for each application.

**Compressor Crankcase Heater Kit (S1-025-\*\*\*\*-\*\*\*):** A wrap-around electrical resistance heater that warms the compressor sump, reducing the chance of liquid slugging on startup. Required on all long lineset and low ambient applications. See Price Pages or Source1 SmartSearch for the correct part for each application.

**Indoor Blower-Off Delay Kit S1-2FD06700224:** Provides a 1-minute blower-off delay at the end of the cooling cycle. May be required for retrofits with non-Johnson Controls Unitary Products indoor units. This feature is factory-provided on all JCUP indoor products.

**Support Feet S1-HPRKIT\*\*:** Kit of 5 support feet to raise unit above snow or landscaping. Available in heights of 3", 6" or 12".

**Anchor Bracket Kit S1-1HK0401:** Firmly anchors unit to pad or support structure. When properly installed, approved for ground-mounted or roof-mounted applications.

**Indoor TXV Kit S1-1TVM\*\*\*:** Thermal expansion valves precisely meter refrigerant for optimum performance over a wide range of conditions. See System Charge Table, Price Pages, or Source1 Smart Search for TXV part number for each AC & HP model.

**Wall Mount Kit (S1-ACB\*\*):** Includes two brackets to allow outdoor unit to be securely mounted to a vertical wall. Mounting hardware is field sourced according to the specific application.

**Winter Cover Kit S1-CCVRE\*\*\*\*:** Custom fit winter cover protects AC condensing unit from debris during the off-season. Must be removed prior to unit operation. See Price Pages or Source1 SmartSearch for the correct cover for each application.

**Cold Weather Charging Tent S1-CHGTENT01:** Provides warm environment to accurately service AC & HP systems in ambient conditions 55°F (13°C) or colder.

**Touch-up Paint S1-5130153\*\*\*\*:** Color matched aerosol paint for touching up unit chassis and panels. See Price Pages or Source1 SmartSearch for the correct color for each application.

**Compressor Sound Blanket S1-010-07xxx-000:** A field installed dense foam cover that provides 2dBA sound level reduction. See Price Pages or Source1 SmartSearch for the correct blanket for each application.

## SOUND POWER RATINGS

| Cooling<br>Model Number | Octave Band Sound Power Level (db re. 1-pW) |      |      |      |      |      |      |      |      |      |
|-------------------------|---------------------------------------------|------|------|------|------|------|------|------|------|------|
|                         | 63                                          | 125  | 250  | 500  | 1000 | 2000 | 4000 | 8000 | dBA  | SQI  |
| YCE18B21H               | 69.7                                        | 66.7 | 65.5 | 65.2 | 69.8 | 65.1 | 63.1 | 60.6 | 73.0 | 19.2 |
| YCE24B21H               | 68.7                                        | 74.0 | 68.6 | 72.9 | 70.5 | 67.3 | 63.8 | 60.7 | 75.0 | 19.1 |
| YCE30B21H               | 69.0                                        | 72.1 | 71.0 | 71.2 | 69.1 | 64.9 | 65.7 | 63.0 | 74.0 | 19.0 |
| YCE36B21H               | 71.8                                        | 76.5 | 71.6 | 73.1 | 71.1 | 66.2 | 65.4 | 61.8 | 76.0 | 19.1 |
| YCE42B21H               | 69.3                                        | 73.0 | 75.6 | 71.6 | 72.6 | 67.6 | 59.1 | 57.8 | 76.0 | 19.1 |
| YCE48B21S               | 68.6                                        | 76.8 | 71.4 | 71.4 | 70.9 | 63.8 | 60.9 | 58.7 | 75.0 | 19.0 |
| YCE60B21S               | 72.9                                        | 73.3 | 71.3 | 74.3 | 70.7 | 66.5 | 64.5 | 64.4 | 76.0 | 19.2 |

Rated in accordance with ARI Standard 270.

## MECHANICAL SPECIFICATIONS

### MANUFACTURE AND CERTIFICATIONS

- Units shall be manufactured in an ISO 9001 certified facility.
- Units shall be certified by CSA to UL 1995 / CSA 22.2 and performance certified to ANSI/AHRI Standard 210/240.
- Units shall be sound tested according to ANSI/AHRI Standard 270.
- Certified matched system ratings will be available for download from the AHRI online directory at [www.ahridirectory.org](http://www.ahridirectory.org)
- Unit packaging shall be marked, "Assembled in the USA"

### UNIT APPLICATION

- Units shall be approved for cooling operation between 55°F and 125°F without modification.
- Units shall be approved for linesets up to 80 feet equivalent length without modification.
- Units shall be approved for installation within 6 inches of a flat vertical wall without modification, according to the instructions in the technical literature.
- Units shall be certified to the 5th Edition (2014) of the Florida Building Code for a combined allowable lateral and uplift wind force of 200 psf and 100 psf, respectively, for both ground-mounted and rooftop-mounted applications up to 200 feet above grade with approved mounting kit.
- Units shall be designed to 76dBA or less to minimize sound pollution.

### UNIT ACCESS

- Units shall have a removable fan guard that can be removed independently of the top for interior access through the top of the unit without damaging the coil.
- Units shall have two removable stamped steel coil guards for exterior coil access.
- Units shall have a separate compartment for electrical controls that can be accessed without disturbing the unit airflow.
- Units shall have a blockoff panel that can be removed to provide interior unit access through the side of the unit.
- Units shall have a removable blockoff panel and a swing away removable electrical panel that provides sufficient interior unit access for removing the compressor through the side of the unit.

### UNIT CONSTRUCTION

- Units shall be shipped completely wired, piped and assembled. Wiring pigtails shall be provided for field control wiring connections. Service valves shall be provided for field refrigerant line connections.

- Units shall be factory leak checked, run tested, and shipped with a holding charge of R-410A refrigerant.
- Unit cabinet components shall be G90 equivalent steel finished with powder-coat paint rated at a minimum of 500 hours under ASTM B117 testing.
- Unit base pan shall be stamped G90 equivalent steel finished with powder-coat paint rated at a minimum of 500 hours under ASTM B117 testing.
- Units shall have a single corner post opposite the electrical control box and two independently removable steel coil guard panels to optimize cabinet strength and serviceability.
- Units shall have L-shaped stamped sheet metal coil guards with punched and extruded slots for maximum panel durability and stiffness.
- Units shall have a factory installed filter-drier for faster installation and improved system reliability.
- Unit base valves shall be mounted diagonally on the unit base pan with service ports that provide sufficient clearance for low-loss hose fittings.
- Units shall be constructed with a high pressure switch for system protection.
- Units shall be constructed with all badging and labels applied at the factory.

### UNIT COMPONENTS

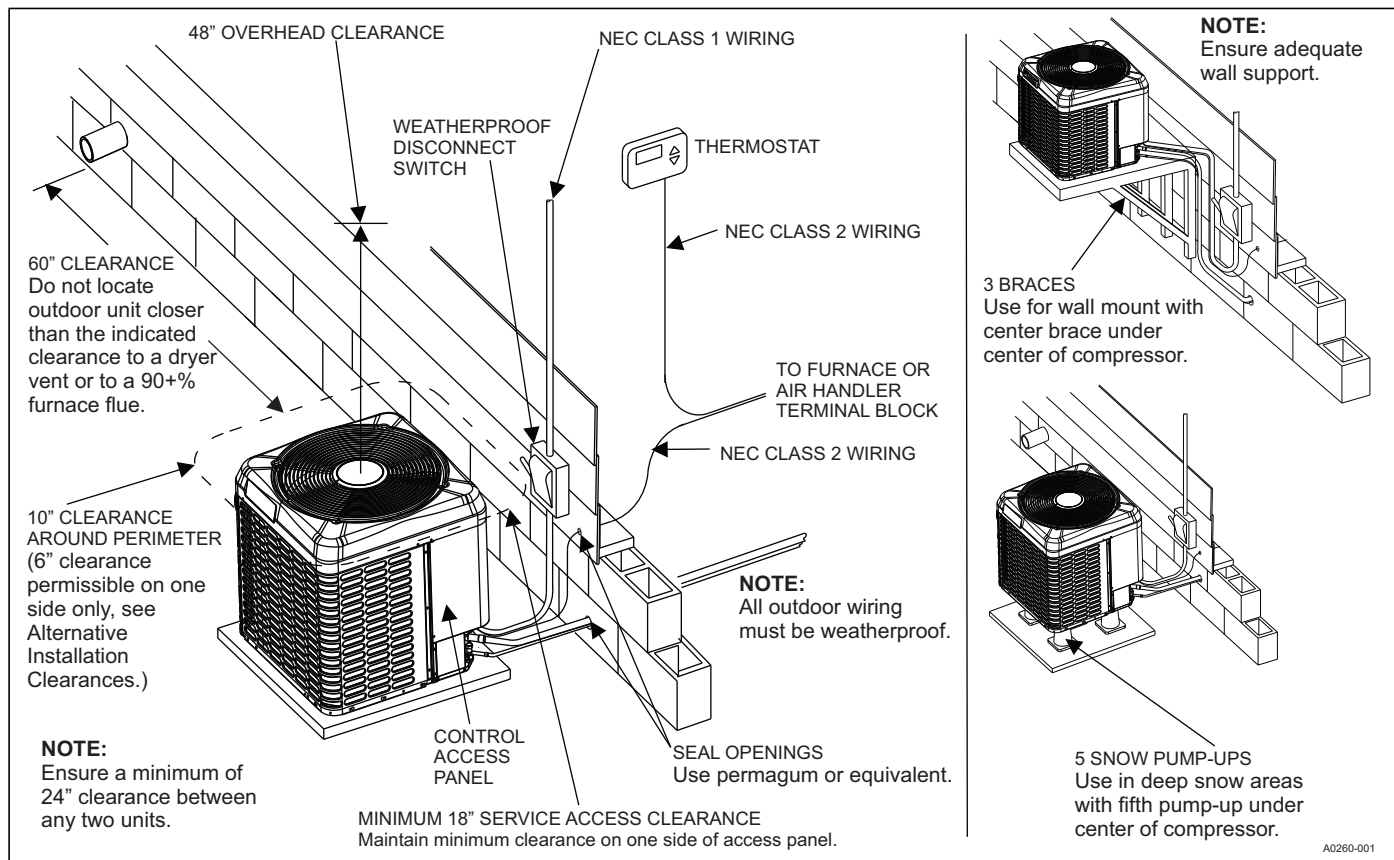
- Compressor shall be hermetic with internal electrical overload protection and internal overpressure protection.
- Compressor shall be mounted on rubber vibration isolators that do not require the removal of transportation clips or brackets.
- Units shall be constructed with internally sprung reciprocating compressors for low vibration.
- Condenser fan shall be direct drive with vertical air discharge for low sound levels.
- Condenser fan motor shall be totally enclosed with permanently lubricated ball bearings motors approved for vertical shaft applications.
- Condenser coil shall be air cooled and constructed of zinc-coated aluminum microchannel construction for small size and low weight.

### UNIT WARRANTIES

- Unit manufacturer shall provide a 10-Year compressor warranty without a requirement for unit registration.
- Unit manufacturer shall provide a 5-Year parts warranty without a requirement for unit registration.

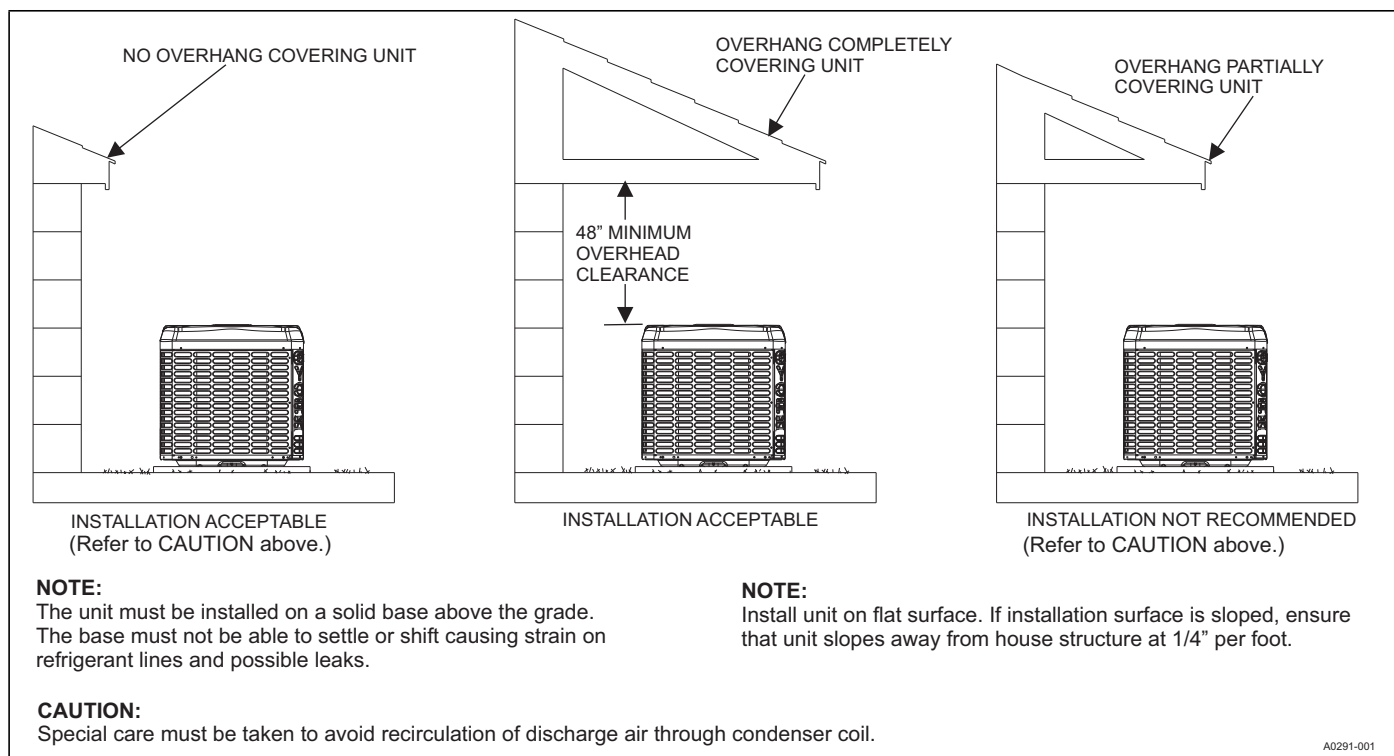


**TYPICAL INSTALLATION**



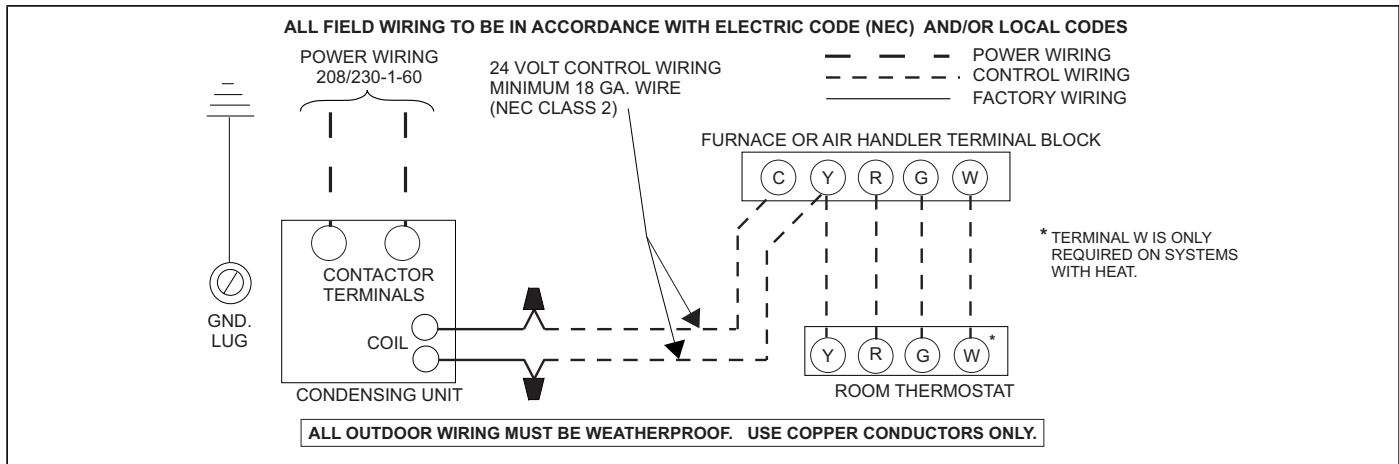
**⚠ CAUTION**

Care must be taken to prevent ice from damaging the unit. Damage may occur from ice falling onto unit from a sloped roof or from a vertical drip line due to a partial overhang.

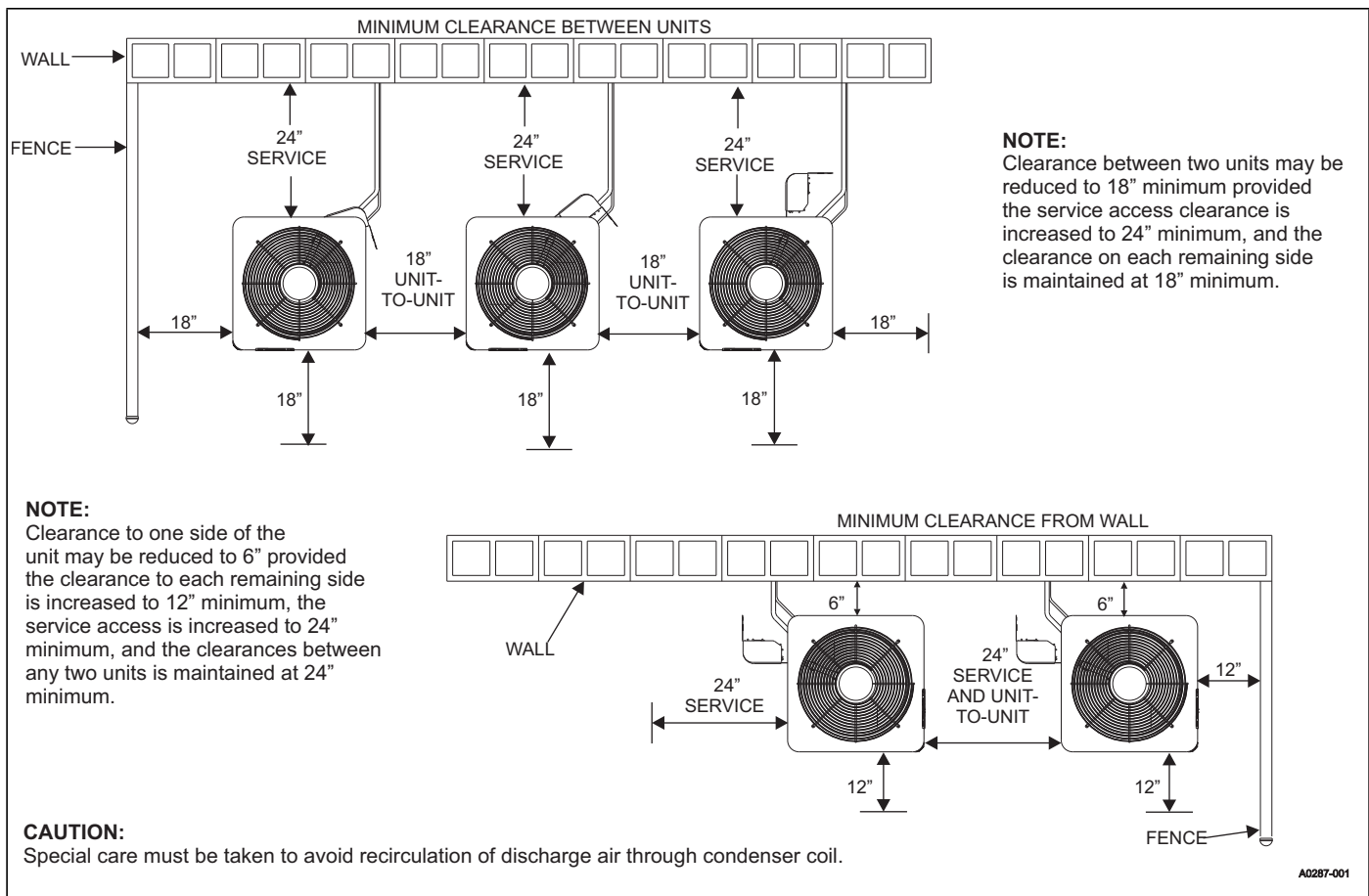




**TYPICAL FIELD WIRING**



**ALTERNATIVE INSTALLATION CLEARANCES**



## PERFORMANCE DATA - 1.5 TON

| CONDENSER-ONLY DATA (OUTDOOR UNIT) |                                   |          |                             |      |       |      |       |      |       |      |       |      |        |      |        |      |        |      |
|------------------------------------|-----------------------------------|----------|-----------------------------|------|-------|------|-------|------|-------|------|-------|------|--------|------|--------|------|--------|------|
| MODEL                              | SATURATED SUCTION<br>@ COMPRESSOR |          | Outdoor Ambient Temperature |      |       |      |       |      |       |      |       |      |        |      |        |      |        |      |
|                                    |                                   |          | 55 °F                       |      | 65 °F |      | 75 °F |      | 85 °F |      | 95 °F |      | 105 °F |      | 115 °F |      | 125 °F |      |
|                                    | T (°F)                            | P (PSIG) | MBH                         | KW   | MBH   | KW   | MBH   | KW   | MBH   | KW   | MBH   | KW   | MBH    | KW   | MBH    | KW   | MBH    | KW   |
| YCE18B21H                          | 35                                | 107      | 18.4                        | 0.94 | 16.9  | 1.04 | 15.2  | 1.13 | 13.3  | 1.20 | 11.3  | 1.25 | 9.4    | 1.28 | 7.7    | 1.29 | 6.1    | 1.27 |
|                                    | 40                                | 118      | 21.2                        | 0.92 | 19.5  | 1.04 | 17.5  | 1.14 | 15.4  | 1.22 | 13.3  | 1.28 | 11.2   | 1.33 | 9.2    | 1.36 | 7.4    | 1.36 |
|                                    | 45                                | 130      | 24.2                        | 0.90 | 22.3  | 1.03 | 20.1  | 1.14 | 17.8  | 1.24 | 15.4  | 1.31 | 13.1   | 1.38 | 10.9   | 1.42 | 8.9    | 1.43 |
|                                    | 50                                | 142      | 27.5                        | 0.87 | 25.4  | 1.01 | 23.0  | 1.13 | 20.4  | 1.25 | 17.8  | 1.33 | 15.3   | 1.41 | 12.8   | 1.47 | 10.6   | 1.50 |
|                                    | 55                                | 156      | 31.0                        | 0.84 | 28.6  | 0.99 | 26.1  | 1.12 | 23.3  | 1.24 | 20.5  | 1.35 | 17.7   | 1.44 | 15.0   | 1.52 | 12.5   | 1.56 |

## Notes:

- For Outdoor Unit (Condenser) performance only. Data does not include the effects of air handler power or heat.
- Performance based on 15°F subcooling and 15°F superheat at the Outdoor Unit base valves.
  - Increase capacity by 1% for each 2°F increase in subcooling.
  - Decrease capacity by 1% for each 2°F decrease in subcooling.
- Maximum recommended condensing temperature is 140°F.

| COOLING PERFORMANCE DATA                   |            |           |      |      |      |      |      |      |      |      |      |      |      |      |      |      |  |
|--------------------------------------------|------------|-----------|------|------|------|------|------|------|------|------|------|------|------|------|------|------|--|
| OUTDOOR UNIT MODEL NO.                     |            | YCE18B21H |      |      |      |      |      |      |      |      |      |      |      |      |      |      |  |
| INDOOR COIL MODEL NO.                      |            | CF18AXA1  |      |      |      |      |      |      |      |      |      |      |      |      |      |      |  |
| AIR TEMP.<br>ENTERING<br>OUTDOOR UNIT (°F) | ID CFM     | 450       |      |      |      |      | 600  |      |      |      |      | 750  |      |      |      |      |  |
|                                            | ID DB (°F) | 80        | 80   | 75   | 80   | 80   | 80   | 80   | 75   | 80   | 80   | 80   | 80   | 75   | 80   | 80   |  |
|                                            | ID WB (°F) | 57        | 62   | 62   | 67   | 72   | 57   | 62   | 62   | 67   | 72   | 57   | 62   | 62   | 67   | 72   |  |
| 55                                         | T.C.       | 19.8      | 21.6 | 21.5 | 23.0 | 26.3 | 21.2 | 22.9 | 22.5 | 24.4 | 26.9 | 22.6 | 24.2 | 23.5 | 25.8 | 27.5 |  |
|                                            | S.C.       | 16.1      | 15.5 | 13.4 | 13.3 | 10.9 | 18.9 | 17.9 | 15.4 | 15.1 | 11.9 | 21.6 | 20.3 | 17.4 | 16.9 | 12.9 |  |
|                                            | KW         | 1.05      | 1.07 | 1.07 | 1.04 | 1.01 | 1.11 | 1.10 | 1.11 | 1.08 | 1.05 | 1.16 | 1.14 | 1.15 | 1.11 | 1.08 |  |
| 65                                         | T.C.       | 18.2      | 20.1 | 20.0 | 21.9 | 24.8 | 20.0 | 21.4 | 21.0 | 22.8 | 25.1 | 21.8 | 22.6 | 21.9 | 23.7 | 25.4 |  |
|                                            | S.C.       | 15.9      | 14.8 | 12.8 | 12.7 | 10.4 | 18.1 | 17.2 | 14.7 | 14.6 | 11.4 | 20.3 | 19.6 | 16.7 | 16.4 | 12.5 |  |
|                                            | KW         | 1.15      | 1.17 | 1.17 | 1.16 | 1.14 | 1.21 | 1.21 | 1.22 | 1.20 | 1.18 | 1.27 | 1.26 | 1.26 | 1.24 | 1.22 |  |
| 75                                         | T.C.       | 16.5      | 18.7 | 18.6 | 20.8 | 23.3 | 18.8 | 19.9 | 19.4 | 21.1 | 23.3 | 21.0 | 21.0 | 20.2 | 21.5 | 23.3 |  |
|                                            | S.C.       | 15.7      | 14.1 | 12.1 | 12.1 | 9.9  | 17.3 | 16.5 | 14.0 | 14.0 | 11.0 | 18.9 | 18.9 | 15.9 | 15.9 | 12.0 |  |
|                                            | KW         | 1.25      | 1.27 | 1.27 | 1.27 | 1.27 | 1.32 | 1.32 | 1.32 | 1.32 | 1.31 | 1.38 | 1.38 | 1.38 | 1.37 | 1.36 |  |
| 85                                         | T.C.       | 15.3      | 17.1 | 17.0 | 19.2 | 21.5 | 17.6 | 18.1 | 17.6 | 19.6 | 21.7 | 19.9 | 19.0 | 18.2 | 20.0 | 22.0 |  |
|                                            | S.C.       | 14.5      | 13.5 | 11.4 | 11.5 | 9.3  | 16.1 | 15.5 | 13.1 | 13.3 | 10.3 | 17.8 | 17.6 | 14.8 | 15.2 | 11.4 |  |
|                                            | KW         | 1.34      | 1.36 | 1.36 | 1.37 | 1.38 | 1.41 | 1.42 | 1.42 | 1.43 | 1.43 | 1.48 | 1.48 | 1.48 | 1.48 | 1.49 |  |
| 95                                         | T.C.       | 14.1      | 15.4 | 15.4 | 17.5 | 19.7 | 16.4 | 16.2 | 15.8 | 18.0 | 20.1 | 18.7 | 17.1 | 16.2 | 18.5 | 20.6 |  |
|                                            | S.C.       | 13.2      | 12.8 | 10.7 | 10.8 | 8.6  | 14.9 | 14.6 | 12.2 | 12.6 | 9.7  | 16.6 | 16.3 | 13.6 | 14.4 | 10.7 |  |
|                                            | KW         | 1.43      | 1.45 | 1.45 | 1.47 | 1.49 | 1.50 | 1.51 | 1.51 | 1.53 | 1.55 | 1.58 | 1.58 | 1.58 | 1.59 | 1.61 |  |
| 105                                        | T.C.       | 13.2      | 13.6 | 13.5 | 15.3 | 17.5 | 15.2 | 14.5 | 13.9 | 15.8 | 17.9 | 17.2 | 15.4 | 14.3 | 16.3 | 18.2 |  |
|                                            | S.C.       | 12.2      | 11.8 | 9.9  | 9.9  | 7.9  | 13.7 | 13.2 | 11.2 | 11.7 | 8.9  | 15.1 | 14.7 | 12.4 | 13.4 | 9.9  |  |
|                                            | KW         | 1.52      | 1.53 | 1.52 | 1.55 | 1.59 | 1.59 | 1.60 | 1.59 | 1.62 | 1.65 | 1.67 | 1.67 | 1.66 | 1.69 | 1.72 |  |
| 115                                        | T.C.       | 12.4      | 11.9 | 11.7 | 13.3 | 15.5 | 14.0 | 12.9 | 12.1 | 13.7 | 15.6 | 15.6 | 13.8 | 12.5 | 14.2 | 15.8 |  |
|                                            | S.C.       | 11.2      | 10.8 | 9.2  | 9.1  | 7.3  | 12.5 | 12.0 | 10.2 | 10.8 | 8.2  | 13.7 | 13.2 | 11.3 | 12.5 | 9.1  |  |
|                                            | KW         | 1.60      | 1.60 | 1.59 | 1.64 | 1.69 | 1.68 | 1.68 | 1.66 | 1.71 | 1.75 | 1.77 | 1.76 | 1.73 | 1.78 | 1.82 |  |
| 125                                        | T.C.       | 11.5      | 10.3 | 9.9  | 11.2 | 13.4 | 12.8 | 11.2 | 10.3 | 11.6 | 13.4 | 14.1 | 12.1 | 10.7 | 12.0 | 13.4 |  |
|                                            | S.C.       | 10.2      | 9.8  | 8.4  | 8.2  | 6.6  | 11.3 | 10.7 | 9.3  | 9.9  | 7.5  | 12.3 | 11.6 | 10.2 | 11.5 | 8.3  |  |
|                                            | KW         | 1.68      | 1.67 | 1.65 | 1.72 | 1.78 | 1.77 | 1.76 | 1.73 | 1.80 | 1.85 | 1.86 | 1.85 | 1.81 | 1.88 | 1.92 |  |

**NOTE:** ALL CAPACITIES INCLUDE INDOOR FAN HEAT. KW VALUES ARE FOR THE SYSTEM (OUTDOOR + INDOOR).

Green shaded cells are ACCA (TVA) conditions.

Blue shaded cells are AHRI conditions.

## Multipliers for determining the performance with other indoor sections.

**NOTE:** For dry bulb temperatures different than those listed (between 73-87 °F), sensible capacity increases by 1060 BTUH per 1000 CFM per degree above the listed temperature and decreases by 1060 BTUH per 1000 CFM per degree below the listed temperature.

**COIL MULTIPLIERS- 1.5 TON**

| Air Handler | Coil        | T.C. | S.C. | KW   |
|-------------|-------------|------|------|------|
| -           | CF/CM/CU18A | 1.00 | 1.00 | 1.00 |
| -           | CF/CM/CU18B | 1.00 | 1.00 | 1.00 |
| -           | CF/CM/CU24A | 1.00 | 1.00 | 1.00 |
| -           | CF/CM/CU24B | 1.00 | 1.00 | 1.00 |
| -           | CF/CM/CU24C | 1.00 | 1.00 | 1.00 |
| -           | CF/CM/CU30A | 1.00 | 1.00 | 1.00 |
| -           | CF/CM/CU30B | 1.00 | 1.00 | 1.00 |
| -           | CF/CM/CU30C | 1.00 | 1.00 | 1.00 |
| -           | CF/CM/CU30D | 1.00 | 1.00 | 1.00 |
| -           | CF/CM/CU36B | 1.00 | 0.99 | 0.98 |
| -           | CF/CM/CU36C | 1.00 | 0.99 | 0.98 |
| -           | CF/CM/CU36D | 1.00 | 0.99 | 0.98 |
| -           | CF/CM36A    | 1.00 | 0.99 | 0.98 |
| AE18BX21    | -           | 1.00 | 1.01 | 0.92 |
| AE24BX21    | -           | 1.00 | 1.01 | 0.92 |
| AE30BX21    | -           | 1.00 | 1.02 | 0.90 |
| AE36BX21    | -           | 1.00 | 0.98 | 0.96 |
| AE36CX21    | -           | 1.00 | 0.98 | 0.94 |
| AP18BX21    | -           | 1.00 | 1.00 | 0.98 |
| AP24BX21    | -           | 1.00 | 1.00 | 1.00 |
| AP30BX21    | -           | 1.00 | 0.99 | 0.98 |
| AVC18BX21   | -           | 1.00 | 1.01 | 0.92 |
| AVC24BX21   | -           | 1.00 | 1.01 | 0.89 |
| AVC30BX21   | -           | 1.00 | 1.01 | 0.90 |
| ME08BN21    | CF/CM18B    | 1.00 | 1.01 | 0.90 |
| ME08BN21    | CF/CM24B    | 1.00 | 1.01 | 0.89 |
| ME08BN21    | CF/CM30B    | 1.00 | 1.01 | 0.89 |
| ME08BN21    | CF/CM36B    | 1.00 | 1.00 | 0.90 |
| ME12BN21    | CF/CM18B    | 1.00 | 1.00 | 0.96 |
| ME12BN21    | CF/CM24B    | 1.00 | 1.02 | 0.96 |
| ME12BN21    | CF/CM30B    | 1.00 | 1.02 | 0.96 |
| ME12BN21    | CF/CM36B    | 1.00 | 1.02 | 0.92 |
| MVC08BN21   | CF/CM18B    | 1.00 | 0.98 | 0.92 |
| MVC08BN21   | CF/CM24B    | 1.00 | 0.99 | 0.90 |
| MVC08BN21   | CF/CM30B    | 1.00 | 1.01 | 0.90 |
| MVC12BN21   | CF/CM36B    | 1.00 | 1.04 | 0.90 |

**FURNACE MULTIPLIERS- 1.5 TON**

| Furnaces       | Coil        | T.C. | S.C. | KW   |
|----------------|-------------|------|------|------|
| TM8V060A12MP11 | CF/CM/CU18A | 1.00 | 0.96 | 0.96 |
| TM8V060A12MP11 | CF/CM/CU24A | 1.00 | 0.98 | 0.92 |
| TM8V060A12MP11 | CF/CM/CU30A | 1.00 | 0.98 | 0.92 |
| TM8V080B12MP11 | CF/CM/CU18B | 1.00 | 1.04 | 0.92 |
| TM8V080B12MP11 | CF/CM/CU24B | 1.00 | 1.05 | 0.92 |
| TM8V080B12MP11 | CF/CM/CU30B | 1.00 | 1.02 | 0.92 |
| TM8V080B12MP11 | CF/CM/CU36B | 1.00 | 1.04 | 0.89 |
| TM8X060A12MP11 | CF/CM/CU18A | 1.00 | 1.00 | 0.96 |
| TM8X060A12MP11 | CF/CM/CU24A | 1.00 | 1.00 | 0.94 |
| TM8X060A12MP11 | CF/CM/CU30A | 1.00 | 1.02 | 0.92 |
| TM8X060A12MP11 | CF/CM36A    | 1.00 | 1.00 | 0.92 |
| TM8X080B12MP11 | CF/CM/CU18B | 1.00 | 1.01 | 0.94 |
| TM8X080B12MP11 | CF/CM/CU24B | 1.00 | 1.00 | 0.94 |

**FURNACE MULTIPLIERS- 1.5 TON (Continued)**

| Furnaces       | Coil        | T.C. | S.C. | KW   |
|----------------|-------------|------|------|------|
| TM8X080B12MP11 | CF/CM/CU30B | 1.00 | 1.00 | 0.94 |
| TM8X080B12MP11 | CF/CM/CU36B | 1.00 | 1.00 | 0.92 |
| TM8X080C16MP11 | CF/CM/CU24C | 1.00 | 1.01 | 0.96 |
| TM8X080C16MP11 | CF/CM/CU30C | 1.00 | 1.01 | 0.92 |
| TM8X080C16MP11 | CF/CM/CU30D | 1.00 | 1.02 | 0.92 |
| TM8X080C16MP11 | CF/CM/CU36C | 1.00 | 1.00 | 0.94 |
| TM8X080C16MP11 | CF/CM/CU36D | 1.00 | 1.02 | 0.92 |
| TM8X100C16MP11 | CF/CM/CU24C | 1.00 | 1.01 | 0.96 |
| TM8X100C16MP11 | CF/CM/CU30C | 1.00 | 1.01 | 0.92 |
| TM8X100C16MP11 | CF/CM/CU30D | 1.00 | 1.02 | 0.92 |
| TM8X100C16MP11 | CF/CM/CU36C | 1.00 | 1.00 | 0.94 |
| TM8X100C16MP11 | CF/CM/CU36D | 1.00 | 1.02 | 0.92 |
| TM8Y060A12MP11 | CF/CM/CU18A | 1.00 | 1.00 | 0.96 |
| TM8Y060A12MP11 | CF/CM/CU24A | 1.00 | 1.00 | 0.94 |
| TM8Y060A12MP11 | CF/CM/CU30A | 1.00 | 1.02 | 0.92 |
| TM8Y060A12MP11 | CF/CM36A    | 1.00 | 1.00 | 0.92 |
| TM8Y080B12MP11 | CF/CM/CU18B | 1.00 | 1.01 | 0.94 |
| TM8Y080B12MP11 | CF/CM/CU24B | 1.00 | 1.00 | 0.94 |
| TM8Y080B12MP11 | CF/CM/CU30B | 1.00 | 1.00 | 0.94 |
| TM8Y080B12MP11 | CF/CM/CU36B | 1.00 | 1.00 | 0.92 |
| TM8Y080C16MP11 | CF/CM/CU24C | 1.00 | 1.01 | 0.96 |
| TM8Y080C16MP11 | CF/CM/CU30C | 1.00 | 1.01 | 0.92 |
| TM8Y080C16MP11 | CF/CM/CU30D | 1.00 | 1.02 | 0.92 |
| TM8Y080C16MP11 | CF/CM/CU36C | 1.00 | 1.00 | 0.94 |
| TM8Y080C16MP11 | CF/CM/CU36D | 1.00 | 1.02 | 0.92 |
| TM8Y100C16MP11 | CF/CM/CU24C | 1.00 | 1.01 | 0.96 |
| TM8Y100C16MP11 | CF/CM/CU30C | 1.00 | 1.01 | 0.92 |
| TM8Y100C16MP11 | CF/CM/CU30D | 1.00 | 1.02 | 0.92 |
| TM8Y100C16MP11 | CF/CM/CU36C | 1.00 | 1.00 | 0.94 |
| TM8Y100C16MP11 | CF/CM/CU36D | 1.00 | 1.02 | 0.92 |
| TM9E040A10MP11 | CF/CM/CU18A | 1.00 | 1.01 | 0.96 |
| TM9E040A10MP11 | CF/CM/CU24A | 1.00 | 0.98 | 0.96 |
| TM9E040A10MP11 | CF/CM/CU30A | 1.00 | 1.01 | 0.94 |
| TM9E040A10MP11 | CF/CM36A    | 1.00 | 1.00 | 0.94 |
| TM9E060B12MP11 | CF/CM/CU18B | 1.00 | 1.00 | 0.96 |
| TM9E060B12MP11 | CF/CM/CU24B | 1.00 | 1.01 | 0.96 |
| TM9E060B12MP11 | CF/CM/CU30B | 1.00 | 1.01 | 0.94 |
| TM9E060B12MP11 | CF/CM/CU36B | 1.00 | 1.00 | 0.94 |
| TM9E080B12MP11 | CF/CM/CU18B | 1.00 | 1.00 | 0.96 |
| TM9E080B12MP11 | CF/CM/CU24B | 1.00 | 1.01 | 0.96 |
| TM9E080B12MP11 | CF/CM/CU30B | 1.00 | 1.01 | 0.94 |
| TM9E080B12MP11 | CF/CM/CU36B | 1.00 | 1.00 | 0.94 |
| TM9E080C16MP11 | CF/CM/CU24C | 1.00 | 1.01 | 0.92 |
| TM9E080C16MP11 | CF/CM/CU30C | 1.00 | 1.00 | 0.92 |
| TM9E080C16MP11 | CF/CM/CU30D | 1.00 | 1.00 | 0.92 |
| TM9E080C16MP11 | CF/CM/CU36C | 1.00 | 1.00 | 0.92 |
| TM9E080C16MP11 | CF/CM/CU36D | 1.00 | 1.00 | 0.89 |
| TM9E100C16MP11 | CF/CM/CU24C | 1.00 | 1.01 | 0.92 |
| TM9E100C16MP11 | CF/CM/CU30C | 1.00 | 1.00 | 0.92 |
| TM9E100C16MP11 | CF/CM/CU30D | 1.00 | 1.00 | 0.92 |
| TM9E100C16MP11 | CF/CM/CU36C | 1.00 | 1.00 | 0.92 |
| TM9E100C16MP11 | CF/CM/CU36D | 1.00 | 1.00 | 0.89 |

## FURNACE MULTIPLIERS- 1.5 TON (Continued)

| Furnaces       | Coil        | T.C. | S.C. | KW   |
|----------------|-------------|------|------|------|
| TM9E100C20MP11 | CF/CM/CU24C | 1.00 | 1.02 | 0.98 |
| TM9E100C20MP11 | CF/CM/CU30C | 1.00 | 1.02 | 0.98 |
| TM9E100C20MP11 | CF/CM/CU30D | 1.00 | 1.04 | 0.96 |
| TM9E100C20MP11 | CF/CM/CU36C | 1.00 | 1.01 | 0.96 |
| TM9E100C20MP11 | CF/CM/CU36D | 1.00 | 1.02 | 0.96 |
| TM9E120D20MP11 | CF/CM/CU30D | 1.00 | 1.00 | 0.98 |
| TM9E120D20MP11 | CF/CM/CU36D | 1.00 | 0.99 | 0.96 |
| TM9V040A10MP11 | CF/CM/CU24A | 1.00 | 1.04 | 0.96 |
| TM9V060B12MP11 | CF/CM/CU18B | 1.00 | 1.02 | 0.92 |
| TM9V060B12MP11 | CF/CM/CU24B | 1.00 | 0.98 | 0.92 |
| TM9V060B12MP11 | CF/CM/CU30B | 1.00 | 1.03 | 0.92 |
| TM9V060B12MP11 | CF/CM/CU36B | 1.00 | 1.00 | 0.90 |
| TM9V080B12MP11 | CF/CM/CU18B | 1.00 | 1.02 | 0.92 |
| TM9V080B12MP11 | CF/CM/CU24B | 1.00 | 0.98 | 0.92 |
| TM9V080B12MP11 | CF/CM/CU30B | 1.00 | 1.03 | 0.92 |
| TM9V080B12MP11 | CF/CM/CU36B | 1.00 | 1.00 | 0.90 |
| TM9Y040A10MP11 | CF/CM/CU18A | 1.00 | 1.01 | 0.96 |
| TM9Y040A10MP11 | CF/CM/CU24A | 1.00 | 0.98 | 0.96 |
| TM9Y040A10MP11 | CF/CM/CU30A | 1.00 | 1.01 | 0.94 |
| TM9Y040A10MP11 | CF/CM36A    | 1.00 | 1.00 | 0.94 |
| TM9Y060B12MP11 | CF/CM/CU18B | 1.00 | 1.00 | 0.96 |
| TM9Y060B12MP11 | CF/CM/CU24B | 1.00 | 1.01 | 0.96 |
| TM9Y060B12MP11 | CF/CM/CU30B | 1.00 | 1.01 | 0.94 |
| TM9Y060B12MP11 | CF/CM/CU36B | 1.00 | 1.00 | 0.94 |
| TM9Y080B12MP11 | CF/CM/CU18B | 1.00 | 1.00 | 0.96 |
| TM9Y080B12MP11 | CF/CM/CU24B | 1.00 | 1.01 | 0.96 |
| TM9Y080B12MP11 | CF/CM/CU30B | 1.00 | 1.01 | 0.94 |
| TM9Y080B12MP11 | CF/CM/CU36B | 1.00 | 1.00 | 0.94 |
| TM9Y080C16MP11 | CF/CM/CU24C | 1.00 | 1.01 | 0.92 |
| TM9Y080C16MP11 | CF/CM/CU30C | 1.00 | 1.00 | 0.92 |
| TM9Y080C16MP11 | CF/CM/CU30D | 1.00 | 1.00 | 0.92 |
| TM9Y080C16MP11 | CF/CM/CU36C | 1.00 | 1.00 | 0.92 |
| TM9Y080C16MP11 | CF/CM/CU36D | 1.00 | 1.00 | 0.89 |
| TM9Y100C16MP11 | CF/CM/CU24C | 1.00 | 1.01 | 0.92 |
| TM9Y100C16MP11 | CF/CM/CU30C | 1.00 | 1.00 | 0.92 |
| TM9Y100C16MP11 | CF/CM/CU30D | 1.00 | 1.00 | 0.92 |
| TM9Y100C16MP11 | CF/CM/CU36C | 1.00 | 1.00 | 0.92 |
| TM9Y100C16MP11 | CF/CM/CU36D | 1.00 | 1.00 | 0.89 |
| TM9Y100C20MP11 | CF/CM/CU24C | 1.00 | 1.02 | 0.98 |
| TM9Y100C20MP11 | CF/CM/CU30C | 1.00 | 1.02 | 0.98 |
| TM9Y100C20MP11 | CF/CM/CU30D | 1.00 | 1.04 | 0.96 |
| TM9Y100C20MP11 | CF/CM/CU36C | 1.00 | 1.01 | 0.96 |
| TM9Y100C20MP11 | CF/CM/CU36D | 1.00 | 1.02 | 0.96 |
| TM9Y120D20MP11 | CF/CM/CU30D | 1.00 | 1.00 | 0.98 |
| TM9Y120D20MP11 | CF/CM/CU36D | 1.00 | 0.99 | 0.96 |
| TMLV060A12MP11 | CF/CM/CU18A | 1.00 | 0.96 | 0.96 |
| TMLV060A12MP11 | CF/CM/CU24A | 1.00 | 0.98 | 0.92 |
| TMLV060A12MP11 | CF/CM/CU30A | 1.00 | 0.98 | 0.92 |
| TMLV080B12MP11 | CF/CM/CU18B | 1.00 | 1.04 | 0.92 |
| TMLV080B12MP11 | CF/CM/CU24B | 1.00 | 1.05 | 0.92 |
| TMLV080B12MP11 | CF/CM/CU30B | 1.00 | 1.02 | 0.92 |

## FURNACE MULTIPLIERS- 1.5 TON (Continued)

| Furnaces       | Coil        | T.C. | S.C. | KW   |
|----------------|-------------|------|------|------|
| TMLV080B12MP11 | CF/CM/CU36B | 1.00 | 1.04 | 0.89 |
| TMLX060A12MP11 | CF/CM/CU18A | 1.00 | 1.00 | 0.96 |
| TMLX060A12MP11 | CF/CM/CU24A | 1.00 | 1.00 | 0.94 |
| TMLX060A12MP11 | CF/CM/CU30A | 1.00 | 1.02 | 0.92 |
| TMLX060A12MP11 | CF/CM36A    | 1.00 | 1.00 | 0.92 |
| TMLX080B12MP11 | CF/CM/CU18B | 1.00 | 1.01 | 0.94 |
| TMLX080B12MP11 | CF/CM/CU24B | 1.00 | 1.00 | 0.94 |
| TMLX080B12MP11 | CF/CM/CU30B | 1.00 | 1.00 | 0.94 |
| TMLX080B12MP11 | CF/CM/CU36B | 1.00 | 1.00 | 0.92 |
| TMLX080C16MP11 | CF/CM/CU24C | 1.00 | 1.01 | 0.96 |
| TMLX080C16MP11 | CF/CM/CU30C | 1.00 | 1.01 | 0.92 |
| TMLX080C16MP11 | CF/CM/CU30D | 1.00 | 1.02 | 0.92 |
| TMLX080C16MP11 | CF/CM/CU36C | 1.00 | 1.00 | 0.94 |
| TMLX080C16MP11 | CF/CM/CU36D | 1.00 | 1.02 | 0.92 |
| TMLX100C16MP11 | CF/CM/CU24C | 1.00 | 1.01 | 0.96 |
| TMLX100C16MP11 | CF/CM/CU30C | 1.00 | 1.01 | 0.92 |
| TMLX100C16MP11 | CF/CM/CU30D | 1.00 | 1.02 | 0.92 |
| TMLX100C16MP11 | CF/CM/CU36C | 1.00 | 1.00 | 0.94 |
| TMLX100C16MP11 | CF/CM/CU36D | 1.00 | 1.02 | 0.92 |
| TP9C060B12MP12 | CF/CM/CU18B | 1.00 | 1.02 | 0.92 |
| TP9C060B12MP12 | CF/CM/CU24B | 1.00 | 0.98 | 0.92 |
| TP9C060B12MP12 | CF/CM/CU30B | 1.00 | 1.03 | 0.92 |
| TP9C060B12MP12 | CF/CM/CU36B | 1.00 | 1.00 | 0.90 |
| TP9C080B12MP12 | CF/CM/CU18B | 1.00 | 1.02 | 0.92 |
| TP9C080B12MP12 | CF/CM/CU24B | 1.00 | 0.98 | 0.92 |
| TP9C080B12MP12 | CF/CM/CU30B | 1.00 | 1.03 | 0.92 |
| TP9C080B12MP12 | CF/CM/CU36B | 1.00 | 1.00 | 0.90 |
| TPLC060A12MP12 | CF/CM/CU18A | 1.00 | 0.96 | 0.96 |
| TPLC060A12MP12 | CF/CM/CU24A | 1.00 | 0.98 | 0.92 |
| TPLC060A12MP12 | CF/CM/CU30A | 1.00 | 0.98 | 0.92 |
| TPLC080B12MP12 | CF/CM/CU18B | 1.00 | 1.04 | 0.92 |
| TPLC080B12MP12 | CF/CM/CU24B | 1.00 | 1.05 | 0.92 |
| TPLC080B12MP12 | CF/CM/CU30B | 1.00 | 1.02 | 0.92 |
| TPLC080B12MP12 | CF/CM/CU36B | 1.00 | 1.04 | 0.89 |
| YP9C060B12MP12 | CF/CM/CU18B | 1.00 | 1.02 | 0.92 |
| YP9C060B12MP12 | CF/CM/CU24B | 1.00 | 0.98 | 0.92 |
| YP9C060B12MP12 | CF/CM/CU30B | 1.00 | 1.03 | 0.92 |
| YP9C060B12MP12 | CF/CM/CU36B | 1.00 | 1.00 | 0.90 |
| YP9C080B12MP12 | CF/CM/CU18B | 1.00 | 1.02 | 0.92 |
| YP9C080B12MP12 | CF/CM/CU24B | 1.00 | 0.98 | 0.92 |
| YP9C080B12MP12 | CF/CM/CU30B | 1.00 | 1.03 | 0.92 |
| YP9C080B12MP12 | CF/CM/CU36B | 1.00 | 1.00 | 0.90 |
| YPLC060A12MP12 | CF/CM/CU18A | 1.00 | 0.96 | 0.96 |
| YPLC060A12MP12 | CF/CM/CU24A | 1.00 | 0.98 | 0.92 |
| YPLC060A12MP12 | CF/CM/CU30A | 1.00 | 0.98 | 0.92 |
| YPLC080B12MP12 | CF/CM/CU18B | 1.00 | 1.04 | 0.92 |
| YPLC080B12MP12 | CF/CM/CU24B | 1.00 | 1.05 | 0.92 |
| YPLC080B12MP12 | CF/CM/CU30B | 1.00 | 1.02 | 0.92 |
| YPLC080B12MP12 | CF/CM/CU36B | 1.00 | 1.04 | 0.89 |

## PERFORMANCE DATA - 2 TON

| CONDENSER-ONLY DATA (OUTDOOR UNIT) |                                   |          |                             |      |       |      |       |      |       |      |       |      |        |      |        |      |        |      |
|------------------------------------|-----------------------------------|----------|-----------------------------|------|-------|------|-------|------|-------|------|-------|------|--------|------|--------|------|--------|------|
| MODEL                              | SATURATED SUCTION<br>@ COMPRESSOR |          | Outdoor Ambient Temperature |      |       |      |       |      |       |      |       |      |        |      |        |      |        |      |
|                                    |                                   |          | 55 °F                       |      | 65 °F |      | 75 °F |      | 85 °F |      | 95 °F |      | 105 °F |      | 115 °F |      | 125 °F |      |
|                                    | T (°F)                            | P (PSIG) | MBH                         | KW   | MBH   | KW   | MBH   | KW   | MBH   | KW   | MBH   | KW   | MBH    | KW   | MBH    | KW   | MBH    | KW   |
| YCE24B21H                          | 35                                | 107      | 23.4                        | 1.15 | 21.2  | 1.28 | 19.1  | 1.40 | 17.0  | 1.51 | 15.0  | 1.59 | 13.0   | 1.66 | 11.0   | 1.70 | 9.1    | 1.71 |
|                                    | 40                                | 118      | 26.6                        | 1.12 | 24.2  | 1.27 | 21.9  | 1.41 | 19.6  | 1.54 | 17.3  | 1.64 | 15.1   | 1.73 | 12.9   | 1.79 | 10.8   | 1.82 |
|                                    | 45                                | 130      | 30.2                        | 1.08 | 27.5  | 1.25 | 24.9  | 1.41 | 22.4  | 1.55 | 19.8  | 1.68 | 17.4   | 1.79 | 15.0   | 1.87 | 12.7   | 1.92 |
|                                    | 50                                | 142      | 34.1                        | 1.03 | 31.1  | 1.21 | 28.2  | 1.39 | 25.4  | 1.56 | 22.6  | 1.70 | 19.9   | 1.84 | 17.3   | 1.95 | 14.7   | 2.01 |
|                                    | 55                                | 156      | 38.3                        | 0.96 | 35.1  | 1.17 | 31.9  | 1.37 | 28.7  | 1.56 | 25.7  | 1.72 | 22.7   | 1.88 | 19.8   | 2.01 | 17.0   | 2.10 |

## Notes:

- For Outdoor Unit (Condenser) performance only. Data does not include the effects of air handler power or heat.
- Performance based on 15°F subcooling and 15°F superheat at the Outdoor Unit base valves.
  - Increase capacity by 1% for each 2°F increase in subcooling.
  - Decrease capacity by 1% for each 2°F decrease in subcooling.
- Maximum recommended condensing temperature is 140°F.

| COOLING PERFORMANCE DATA                   |            |           |      |      |      |      |      |      |      |      |      |      |      |      |      |      |  |
|--------------------------------------------|------------|-----------|------|------|------|------|------|------|------|------|------|------|------|------|------|------|--|
| OUTDOOR UNIT MODEL NO.                     |            | YCE24B21H |      |      |      |      |      |      |      |      |      |      |      |      |      |      |  |
| INDOOR COIL MODEL NO.                      |            | CF24AXA1  |      |      |      |      |      |      |      |      |      |      |      |      |      |      |  |
| AIR TEMP.<br>ENTERING<br>OUTDOOR UNIT (°F) | ID CFM     | 600       |      |      |      |      | 800  |      |      |      |      | 1000 |      |      |      |      |  |
|                                            | ID DB (°F) | 80        | 80   | 75   | 80   | 80   | 80   | 80   | 75   | 80   | 80   | 80   | 80   | 75   | 80   | 80   |  |
|                                            | ID WB (°F) | 57        | 62   | 62   | 67   | 72   | 57   | 62   | 62   | 67   | 72   | 57   | 62   | 62   | 67   | 72   |  |
| 55                                         | T.C.       | 21.3      | 25.0 | 25.1 | 28.0 | 30.6 | 23.7 | 26.3 | 26.3 | 29.0 | 31.4 | 26.1 | 27.5 | 27.5 | 30.0 | 32.1 |  |
|                                            | S.C.       | 20.9      | 19.0 | 16.1 | 16.3 | 13.6 | 23.4 | 21.7 | 17.9 | 18.1 | 14.5 | 25.8 | 24.5 | 19.8 | 19.9 | 15.3 |  |
|                                            | KW         | 1.37      | 1.37 | 1.27 | 1.27 | 1.27 | 1.42 | 1.42 | 1.37 | 1.37 | 1.32 | 1.47 | 1.47 | 1.47 | 1.47 | 1.37 |  |
| 65                                         | T.C.       | 20.6      | 23.6 | 23.7 | 26.6 | 29.3 | 22.9 | 24.8 | 25.0 | 27.6 | 30.1 | 25.2 | 26.1 | 26.2 | 28.6 | 31.0 |  |
|                                            | S.C.       | 20.1      | 18.3 | 15.6 | 15.8 | 13.0 | 22.4 | 20.9 | 17.6 | 17.7 | 14.0 | 24.7 | 23.6 | 19.6 | 19.7 | 15.1 |  |
|                                            | KW         | 1.47      | 1.47 | 1.42 | 1.42 | 1.42 | 1.54 | 1.54 | 1.52 | 1.52 | 1.49 | 1.61 | 1.61 | 1.61 | 1.61 | 1.57 |  |
| 75                                         | T.C.       | 19.8      | 22.2 | 22.4 | 25.3 | 28.0 | 22.1 | 23.4 | 23.6 | 26.3 | 28.9 | 24.3 | 24.6 | 24.9 | 27.3 | 29.9 |  |
|                                            | S.C.       | 19.3      | 17.6 | 15.1 | 15.3 | 12.3 | 21.4 | 20.1 | 17.3 | 17.4 | 13.6 | 23.6 | 22.7 | 19.4 | 19.5 | 14.8 |  |
|                                            | KW         | 1.57      | 1.57 | 1.57 | 1.57 | 1.57 | 1.66 | 1.66 | 1.66 | 1.66 | 1.66 | 1.76 | 1.76 | 1.76 | 1.76 | 1.76 |  |
| 85                                         | T.C.       | 18.7      | 20.6 | 20.5 | 23.6 | 26.3 | 20.8 | 21.8 | 21.7 | 24.7 | 27.2 | 22.9 | 23.0 | 23.0 | 25.7 | 28.2 |  |
|                                            | S.C.       | 18.1      | 16.8 | 14.2 | 14.6 | 11.7 | 20.1 | 19.2 | 16.4 | 16.7 | 13.0 | 22.2 | 21.7 | 18.5 | 18.8 | 14.3 |  |
|                                            | KW         | 1.71      | 1.71 | 1.71 | 1.71 | 1.71 | 1.81 | 1.81 | 1.81 | 1.81 | 1.81 | 1.91 | 1.91 | 1.91 | 1.91 | 1.91 |  |
| 95                                         | T.C.       | 17.5      | 19.0 | 18.7 | 22.0 | 24.6 | 19.5 | 20.2 | 19.8 | 23.0 | 25.5 | 21.5 | 21.5 | 21.0 | 24.0 | 26.5 |  |
|                                            | S.C.       | 16.9      | 15.9 | 13.3 | 13.9 | 11.0 | 18.8 | 18.3 | 15.5 | 16.0 | 12.4 | 20.8 | 20.7 | 17.6 | 18.1 | 13.8 |  |
|                                            | KW         | 1.86      | 1.86 | 1.86 | 1.86 | 1.86 | 1.96 | 1.96 | 1.96 | 1.96 | 1.96 | 2.06 | 2.06 | 2.06 | 2.06 | 2.06 |  |
| 105                                        | T.C.       | 16.1      | 17.1 | 16.9 | 19.8 | 22.5 | 17.9 | 18.5 | 17.9 | 20.8 | 23.4 | 19.7 | 19.8 | 19.0 | 21.8 | 24.2 |  |
|                                            | S.C.       | 15.6      | 14.9 | 12.5 | 13.0 | 10.3 | 17.4 | 17.0 | 14.4 | 15.0 | 11.6 | 19.1 | 19.1 | 16.3 | 17.1 | 13.0 |  |
|                                            | KW         | 1.96      | 1.96 | 1.96 | 1.99 | 1.99 | 2.06 | 2.06 | 2.06 | 2.09 | 2.09 | 2.16 | 2.16 | 2.16 | 2.19 | 2.19 |  |
| 115                                        | T.C.       | 14.7      | 15.4 | 15.2 | 17.7 | 20.5 | 16.4 | 16.8 | 16.1 | 18.7 | 21.3 | 18.0 | 18.2 | 17.0 | 19.7 | 22.1 |  |
|                                            | S.C.       | 14.3      | 14.0 | 11.8 | 12.1 | 9.7  | 15.9 | 15.8 | 13.4 | 14.1 | 10.9 | 17.5 | 17.6 | 15.1 | 16.1 | 12.2 |  |
|                                            | KW         | 2.06      | 2.06 | 2.06 | 2.12 | 2.12 | 2.15 | 2.15 | 2.15 | 2.22 | 2.22 | 2.25 | 2.25 | 2.25 | 2.32 | 2.32 |  |
| 125                                        | T.C.       | 13.3      | 13.6 | 13.5 | 15.6 | 18.5 | 14.8 | 15.1 | 14.2 | 16.6 | 19.2 | 16.3 | 16.6 | 15.0 | 17.6 | 19.9 |  |
|                                            | S.C.       | 13.1      | 13.0 | 11.0 | 11.3 | 9.1  | 14.5 | 14.6 | 12.4 | 13.2 | 10.2 | 15.8 | 16.1 | 13.8 | 15.0 | 11.4 |  |
|                                            | KW         | 2.15      | 2.15 | 2.15 | 2.25 | 2.25 | 2.25 | 2.25 | 2.25 | 2.35 | 2.35 | 2.35 | 2.35 | 2.35 | 2.45 | 2.45 |  |

ALL CAPACITIES INCLUDE INDOOR FAN HEAT. KW VALUES ARE FOR THE SYSTEM (OUTDOOR + INDOOR).

Green shaded cells are ACCA (TVA) conditions.

Blue shaded cells are AHRI conditions.

## Multipliers for determining the performance with other indoor sections.

**NOTE:** For dry bulb temperatures different than those listed (between 73-87 °F), sensible capacity increases by 1060 BTUH per 1000 CFM per degree above the listed temperature and decreases by 1060 BTUH per 1000 CFM per degree below the listed temperature.

## COIL MULTIPLIERS- 2 TON

| Air Handler | Coil        | T.C. | S.C. | KW   |
|-------------|-------------|------|------|------|
| -           | CF/CM/CU24A | 1.00 | 1.00 | 1.00 |
| -           | CF/CM/CU24B | 1.01 | 1.01 | 1.01 |
| -           | CF/CM/CU24C | 1.01 | 1.01 | 1.01 |
| -           | CF/CM/CU30A | 1.03 | 1.03 | 1.03 |
| -           | CF/CM/CU30B | 1.03 | 1.03 | 1.03 |
| -           | CF/CM/CU30C | 1.03 | 1.03 | 1.03 |
| -           | CF/CM/CU30D | 1.03 | 1.03 | 1.03 |
| -           | CF/CM/CU36B | 1.04 | 1.04 | 1.04 |
| -           | CF/CM/CU36C | 1.04 | 1.04 | 1.04 |
| -           | CF/CM/CU36D | 1.04 | 1.04 | 1.04 |
| -           | CF/CM/CU42C | 1.04 | 1.04 | 1.04 |
| -           | CF/CM/CU42D | 1.04 | 1.04 | 1.04 |
| -           | CF/CM36A    | 1.04 | 1.04 | 1.04 |
| -           | CF42B       | 1.04 | 1.04 | 1.04 |
| AE24BX21    | -           | 1.03 | 1.05 | 0.95 |
| AE30BX21    | -           | 1.04 | 1.05 | 0.94 |
| AE36BX21    | -           | 1.04 | 1.05 | 0.94 |
| AE36CX21    | -           | 1.04 | 1.06 | 0.94 |
| AP24BX21    | -           | 1.01 | 1.03 | 1.03 |
| AP30BX21    | -           | 1.04 | 1.04 | 1.02 |
| AP36BX21    | -           | 1.04 | 1.10 | 1.04 |
| AP36CX21    | -           | 1.04 | 1.06 | 1.02 |
| AVC24BX21   | -           | 1.02 | 1.01 | 0.94 |
| AVC30BX21   | -           | 1.04 | 1.04 | 0.94 |
| AVC36BX21   | -           | 1.04 | 1.05 | 0.94 |
| AVC36CX21   | -           | 1.04 | 1.05 | 0.94 |
| ME08BN21    | CF/CM24B    | 1.03 | 1.05 | 0.94 |
| ME08BN21    | CF/CM30B    | 1.04 | 1.05 | 0.94 |
| ME08BN21    | CF/CM36B    | 1.04 | 1.04 | 0.94 |
| ME08BN21    | CF42B       | 1.04 | 1.05 | 0.96 |
| ME12BN21    | CF/CM24B    | 1.03 | 1.05 | 0.95 |
| ME12BN21    | CF/CM30B    | 1.04 | 1.05 | 0.96 |
| ME12BN21    | CF/CM36B    | 1.04 | 1.05 | 0.94 |
| ME12BN21    | CF42B       | 1.04 | 1.04 | 0.94 |
| ME14DN21    | CF/CM30D    | 1.04 | 1.04 | 0.96 |
| ME14DN21    | CF/CM36D    | 1.04 | 1.05 | 0.96 |
| ME14DN21    | CF/CM42D    | 1.04 | 1.05 | 0.96 |
| ME16CN21    | CF/CM24C    | 1.03 | 1.09 | 1.01 |
| MVC08BN21   | CF/CM24B    | 1.03 | 1.05 | 0.95 |
| MVC08BN21   | CF/CM30B    | 1.03 | 0.99 | 0.93 |
| MVC08BN21   | CF/CM36B    | 1.04 | 1.04 | 0.94 |
| MVC08BN21   | CF42B       | 1.04 | 1.04 | 0.94 |
| MVC12BN21   | CF/CM24B    | 1.03 | 1.05 | 0.95 |
| MVC12BN21   | CF/CM30B    | 1.04 | 1.08 | 0.94 |
| MVC12BN21   | CF/CM36B    | 1.04 | 1.04 | 0.94 |
| MVC12BN21   | CF42B       | 1.04 | 1.04 | 0.94 |
| MVC14DN21   | CF/CM30D    | 1.04 | 1.04 | 0.94 |
| MVC14DN21   | CF/CM36D    | 1.04 | 1.08 | 0.94 |
| MVC14DN21   | CF/CM42D    | 1.04 | 1.06 | 0.94 |
| MVC16CN21   | CF/CM42C    | 1.04 | 1.10 | 0.94 |

## FURNACE MULTIPLIERS- 2 TON

| Furnaces       | Coil        | T.C. | S.C. | KW   |
|----------------|-------------|------|------|------|
| TM8V060A12MP11 | CF/CM/CU24A | 1.01 | 0.98 | 0.97 |
| TM8V060A12MP11 | CF/CM/CU30A | 1.02 | 1.00 | 0.96 |
| TM8V060A12MP11 | CF/CM36A    | 1.03 | 0.99 | 0.96 |
| TM8V080B12MP11 | CF/CM/CU24B | 1.04 | 1.08 | 0.98 |
| TM8V080B12MP11 | CF/CM/CU30B | 1.04 | 1.04 | 0.98 |
| TM8V080B12MP11 | CF/CM/CU36B | 1.02 | 0.95 | 0.96 |
| TM8V080B12MP11 | CF42B       | 1.04 | 1.06 | 0.96 |
| TM8X060A12MP11 | CF/CM/CU24A | 1.03 | 1.05 | 0.95 |
| TM8X060A12MP11 | CF/CM/CU30A | 1.04 | 1.05 | 0.94 |
| TM8X060A12MP11 | CF/CM36A    | 1.04 | 1.04 | 0.96 |
| TM8X080B12MP11 | CF/CM/CU24B | 1.03 | 1.05 | 0.95 |
| TM8X080B12MP11 | CF/CM/CU30B | 1.04 | 1.05 | 0.94 |
| TM8X080B12MP11 | CF/CM/CU36B | 1.04 | 1.05 | 0.94 |
| TM8X080B12MP11 | CF42B       | 1.04 | 1.04 | 0.94 |
| TM8X080C16MP11 | CF/CM/CU24C | 1.04 | 1.06 | 0.96 |
| TM8X080C16MP11 | CF/CM/CU30C | 1.04 | 1.05 | 0.94 |
| TM8X080C16MP11 | CF/CM/CU30D | 1.04 | 1.05 | 0.94 |
| TM8X080C16MP11 | CF/CM/CU36C | 1.04 | 1.05 | 0.94 |
| TM8X080C16MP11 | CF/CM/CU36D | 1.04 | 1.05 | 0.94 |
| TM8X080C16MP11 | CF/CM/CU42C | 1.04 | 1.05 | 0.94 |
| TM8X080C16MP11 | CF/CM/CU42D | 1.04 | 1.04 | 0.94 |
| TM8X100C16MP11 | CF/CM/CU24C | 1.04 | 1.06 | 0.96 |
| TM8X100C16MP11 | CF/CM/CU30C | 1.04 | 1.05 | 0.94 |
| TM8X100C16MP11 | CF/CM/CU30D | 1.04 | 1.05 | 0.94 |
| TM8X100C16MP11 | CF/CM/CU36C | 1.04 | 1.05 | 0.94 |
| TM8X100C16MP11 | CF/CM/CU36D | 1.04 | 1.05 | 0.94 |
| TM8X100C16MP11 | CF/CM/CU42C | 1.04 | 1.05 | 0.94 |
| TM8X100C16MP11 | CF/CM/CU42D | 1.04 | 1.04 | 0.94 |
| TM8X100C20MP11 | CF/CM/CU30C | 1.04 | 1.04 | 1.00 |
| TM8X100C20MP11 | CF/CM/CU30D | 1.04 | 1.08 | 1.00 |
| TM8X100C20MP11 | CF/CM/CU36C | 1.04 | 1.05 | 1.00 |
| TM8X100C20MP11 | CF/CM/CU36D | 1.04 | 1.06 | 1.00 |
| TM8X100C20MP11 | CF/CM/CU42C | 1.04 | 1.05 | 1.00 |
| TM8X100C20MP11 | CF/CM/CU42D | 1.04 | 1.05 | 1.00 |
| TM8X120C20MP11 | CF/CM/CU30C | 1.04 | 1.04 | 1.00 |
| TM8X120C20MP11 | CF/CM/CU30D | 1.04 | 1.08 | 1.00 |
| TM8X120C20MP11 | CF/CM/CU36C | 1.04 | 1.05 | 1.00 |
| TM8X120C20MP11 | CF/CM/CU36D | 1.04 | 1.06 | 1.00 |
| TM8X120C20MP11 | CF/CM/CU42C | 1.04 | 1.05 | 1.00 |
| TM8X120C20MP11 | CF/CM/CU42D | 1.04 | 1.05 | 1.00 |
| TM8Y060A12MP11 | CF/CM/CU24A | 1.03 | 1.05 | 0.95 |
| TM8Y060A12MP11 | CF/CM/CU30A | 1.04 | 1.05 | 0.94 |
| TM8Y060A12MP11 | CF/CM36A    | 1.04 | 1.04 | 0.96 |
| TM8Y080B12MP11 | CF/CM/CU24B | 1.03 | 1.05 | 0.95 |
| TM8Y080B12MP11 | CF/CM/CU30B | 1.04 | 1.05 | 0.94 |
| TM8Y080B12MP11 | CF/CM/CU36B | 1.04 | 1.05 | 0.94 |
| TM8Y080B12MP11 | CF42B       | 1.04 | 1.04 | 0.94 |
| TM8Y080C16MP11 | CF/CM/CU24C | 1.04 | 1.06 | 0.96 |
| TM8Y080C16MP11 | CF/CM/CU30C | 1.04 | 1.05 | 0.94 |
| TM8Y080C16MP11 | CF/CM/CU30D | 1.04 | 1.05 | 0.94 |
| TM8Y080C16MP11 | CF/CM/CU36C | 1.04 | 1.05 | 0.94 |
| TM8Y080C16MP11 | CF/CM/CU36D | 1.04 | 1.05 | 0.94 |

## FURNACE MULTIPLIERS- 2 TON (Continued)

| Furnaces       | Coil        | T.C. | S.C. | KW   |
|----------------|-------------|------|------|------|
| TM8Y080C16MP11 | CF/CM/CU42C | 1.04 | 1.05 | 0.94 |
| TM8Y080C16MP11 | CF/CM/CU42D | 1.04 | 1.04 | 0.94 |
| TM8Y100C16MP11 | CF/CM/CU24C | 1.04 | 1.06 | 0.96 |
| TM8Y100C16MP11 | CF/CM/CU30C | 1.04 | 1.05 | 0.94 |
| TM8Y100C16MP11 | CF/CM/CU30D | 1.04 | 1.05 | 0.94 |
| TM8Y100C16MP11 | CF/CM/CU36C | 1.04 | 1.05 | 0.94 |
| TM8Y100C16MP11 | CF/CM/CU36D | 1.04 | 1.05 | 0.94 |
| TM8Y100C16MP11 | CF/CM/CU42C | 1.04 | 1.05 | 0.94 |
| TM8Y100C16MP11 | CF/CM/CU42D | 1.04 | 1.04 | 0.94 |
| TM8Y100C20MP11 | CF/CM/CU30C | 1.04 | 1.04 | 1.00 |
| TM8Y100C20MP11 | CF/CM/CU30D | 1.04 | 1.08 | 1.00 |
| TM8Y100C20MP11 | CF/CM/CU36C | 1.04 | 1.05 | 1.00 |
| TM8Y100C20MP11 | CF/CM/CU36D | 1.04 | 1.06 | 1.00 |
| TM8Y100C20MP11 | CF/CM/CU42C | 1.04 | 1.05 | 1.00 |
| TM8Y100C20MP11 | CF/CM/CU42D | 1.04 | 1.05 | 1.00 |
| TM8Y120C20MP11 | CF/CM/CU30C | 1.04 | 1.04 | 1.00 |
| TM8Y120C20MP11 | CF/CM/CU30D | 1.04 | 1.08 | 1.00 |
| TM8Y120C20MP11 | CF/CM/CU36C | 1.04 | 1.05 | 1.00 |
| TM8Y120C20MP11 | CF/CM/CU36D | 1.04 | 1.06 | 1.00 |
| TM8Y120C20MP11 | CF/CM/CU42C | 1.04 | 1.05 | 1.00 |
| TM8Y120C20MP11 | CF/CM/CU42D | 1.04 | 1.05 | 1.00 |
| TM9E040A10MP11 | CF/CM/CU24A | 1.01 | 1.00 | 0.99 |
| TM9E040A10MP11 | CF/CM/CU30A | 1.04 | 1.04 | 0.98 |
| TM9E040A10MP11 | CF/CM36A    | 1.04 | 1.04 | 1.00 |
| TM9E060B12MP11 | CF/CM/CU24B | 1.02 | 1.01 | 0.94 |
| TM9E060B12MP11 | CF/CM/CU30B | 1.04 | 1.03 | 0.96 |
| TM9E060B12MP11 | CF/CM/CU36B | 1.04 | 1.03 | 0.94 |
| TM9E060B12MP11 | CF42B       | 1.04 | 1.03 | 0.94 |
| TM9E080B12MP11 | CF/CM/CU24B | 1.02 | 1.01 | 0.94 |
| TM9E080B12MP11 | CF/CM/CU30B | 1.04 | 1.03 | 0.96 |
| TM9E080B12MP11 | CF/CM/CU36B | 1.04 | 1.03 | 0.94 |
| TM9E080B12MP11 | CF42B       | 1.04 | 1.03 | 0.94 |
| TM9E080C16MP11 | CF/CM/CU24C | 1.03 | 1.03 | 0.93 |
| TM9E080C16MP11 | CF/CM/CU30C | 1.04 | 1.04 | 0.94 |
| TM9E080C16MP11 | CF/CM/CU30D | 1.04 | 1.05 | 0.94 |
| TM9E080C16MP11 | CF/CM/CU36C | 1.04 | 1.03 | 0.94 |
| TM9E080C16MP11 | CF/CM/CU36D | 1.04 | 1.04 | 0.94 |
| TM9E080C16MP11 | CF/CM/CU42C | 1.04 | 1.03 | 0.94 |
| TM9E080C16MP11 | CF/CM/CU42D | 1.04 | 1.03 | 0.94 |
| TM9E100C16MP11 | CF/CM/CU24C | 1.03 | 1.03 | 0.93 |
| TM9E100C16MP11 | CF/CM/CU30C | 1.04 | 1.04 | 0.94 |
| TM9E100C16MP11 | CF/CM/CU30D | 1.04 | 1.05 | 0.94 |
| TM9E100C16MP11 | CF/CM/CU36C | 1.04 | 1.03 | 0.94 |
| TM9E100C16MP11 | CF/CM/CU36D | 1.04 | 1.04 | 0.94 |
| TM9E100C16MP11 | CF/CM/CU42C | 1.04 | 1.03 | 0.94 |
| TM9E100C16MP11 | CF/CM/CU42D | 1.04 | 1.03 | 0.94 |
| TM9E100C20MP11 | CF/CM/CU24C | 1.03 | 1.06 | 0.99 |
| TM9E100C20MP11 | CF/CM/CU30C | 1.04 | 1.06 | 0.98 |
| TM9E100C20MP11 | CF/CM/CU30D | 1.04 | 1.06 | 0.98 |
| TM9E100C20MP11 | CF/CM/CU36C | 1.04 | 1.06 | 0.96 |
| TM9E100C20MP11 | CF/CM/CU36D | 1.04 | 1.06 | 0.96 |
| TM9E100C20MP11 | CF/CM/CU42C | 1.04 | 1.05 | 0.96 |

## FURNACE MULTIPLIERS- 2 TON (Continued)

| Furnaces       | Coil        | T.C. | S.C. | KW   |
|----------------|-------------|------|------|------|
| TM9E100C20MP11 | CF/CM/CU42D | 1.04 | 1.05 | 0.96 |
| TM9E120D20MP11 | CF/CM/CU30D | 1.04 | 1.08 | 0.96 |
| TM9E120D20MP11 | CF/CM/CU36D | 1.04 | 1.05 | 0.96 |
| TM9E120D20MP11 | CF/CM/CU42D | 1.04 | 1.04 | 0.96 |
| TM9V040A10MP11 | CF/CM/CU24A | 0.97 | 0.90 | 1.00 |
| TM9V040A10MP11 | CF/CM/CU30A | 1.01 | 0.96 | 0.99 |
| TM9V060B12MP11 | CF/CM/CU24B | 1.04 | 1.06 | 0.94 |
| TM9V060B12MP11 | CF/CM/CU30B | 1.01 | 0.95 | 0.95 |
| TM9V060B12MP11 | CF/CM/CU36B | 1.04 | 1.01 | 0.96 |
| TM9V060B12MP11 | CF42B       | 1.04 | 1.06 | 0.94 |
| TM9V080B12MP11 | CF/CM/CU24B | 1.04 | 1.06 | 0.94 |
| TM9V080B12MP11 | CF/CM/CU30B | 1.01 | 0.95 | 0.95 |
| TM9V080B12MP11 | CF/CM/CU36B | 1.04 | 1.01 | 0.96 |
| TM9V080B12MP11 | CF42B       | 1.04 | 1.06 | 0.94 |
| TM9V080C16MP11 | CF/CM/CU36C | 1.04 | 1.09 | 0.94 |
| TM9V100C16MP11 | CF/CM/CU36C | 1.04 | 1.09 | 0.94 |
| TM9Y040A10MP11 | CF/CM/CU24A | 1.01 | 1.00 | 0.99 |
| TM9Y040A10MP11 | CF/CM/CU30A | 1.04 | 1.04 | 0.98 |
| TM9Y040A10MP11 | CF/CM36A    | 1.04 | 1.04 | 1.00 |
| TM9Y060B12MP11 | CF/CM/CU24B | 1.02 | 1.01 | 0.94 |
| TM9Y060B12MP11 | CF/CM/CU30B | 1.04 | 1.03 | 0.96 |
| TM9Y060B12MP11 | CF/CM/CU36B | 1.04 | 1.03 | 0.94 |
| TM9Y060B12MP11 | CF42B       | 1.04 | 1.03 | 0.94 |
| TM9Y080B12MP11 | CF/CM/CU24B | 1.02 | 1.01 | 0.94 |
| TM9Y080B12MP11 | CF/CM/CU30B | 1.04 | 1.03 | 0.96 |
| TM9Y080B12MP11 | CF/CM/CU36B | 1.04 | 1.03 | 0.94 |
| TM9Y080B12MP11 | CF42B       | 1.04 | 1.03 | 0.94 |
| TM9Y080C16MP11 | CF/CM/CU24C | 1.03 | 1.03 | 0.93 |
| TM9Y080C16MP11 | CF/CM/CU30C | 1.04 | 1.04 | 0.94 |
| TM9Y080C16MP11 | CF/CM/CU30D | 1.04 | 1.05 | 0.94 |
| TM9Y080C16MP11 | CF/CM/CU36C | 1.04 | 1.03 | 0.94 |
| TM9Y080C16MP11 | CF/CM/CU36D | 1.04 | 1.04 | 0.94 |
| TM9Y080C16MP11 | CF/CM/CU42C | 1.04 | 1.03 | 0.94 |
| TM9Y080C16MP11 | CF/CM/CU42D | 1.04 | 1.03 | 0.94 |
| TM9Y100C16MP11 | CF/CM/CU24C | 1.03 | 1.03 | 0.93 |
| TM9Y100C16MP11 | CF/CM/CU30C | 1.04 | 1.04 | 0.94 |
| TM9Y100C16MP11 | CF/CM/CU30D | 1.04 | 1.05 | 0.94 |
| TM9Y100C16MP11 | CF/CM/CU36C | 1.04 | 1.03 | 0.94 |
| TM9Y100C16MP11 | CF/CM/CU36D | 1.04 | 1.04 | 0.94 |
| TM9Y100C16MP11 | CF/CM/CU42C | 1.04 | 1.03 | 0.94 |
| TM9Y100C16MP11 | CF/CM/CU42D | 1.04 | 1.03 | 0.94 |
| TM9Y100C20MP11 | CF/CM/CU24C | 1.03 | 1.06 | 0.99 |
| TM9Y100C20MP11 | CF/CM/CU30C | 1.04 | 1.06 | 0.98 |
| TM9Y100C20MP11 | CF/CM/CU30D | 1.04 | 1.06 | 0.98 |
| TM9Y100C20MP11 | CF/CM/CU36C | 1.04 | 1.06 | 0.96 |
| TM9Y100C20MP11 | CF/CM/CU36D | 1.04 | 1.06 | 0.96 |
| TM9Y100C20MP11 | CF/CM/CU42C | 1.04 | 1.05 | 0.96 |
| TM9Y100C20MP11 | CF/CM/CU42D | 1.04 | 1.05 | 0.96 |
| TM9Y120D20MP11 | CF/CM/CU30D | 1.04 | 1.08 | 0.96 |
| TM9Y120D20MP11 | CF/CM/CU36D | 1.04 | 1.05 | 0.96 |
| TM9Y120D20MP11 | CF/CM/CU42D | 1.04 | 1.04 | 0.96 |
| TMLV060A12MP11 | CF/CM/CU24A | 1.01 | 0.98 | 0.97 |



**FURNACE MULTIPLIERS- 2 TON (Continued)**

| Furnaces       | Coil        | T.C. | S.C. | KW   |
|----------------|-------------|------|------|------|
| TMLV060A12MP11 | CF/CM/CU30A | 1.02 | 1.00 | 0.96 |
| TMLV060A12MP11 | CF/CM36A    | 1.03 | 0.99 | 0.96 |
| TMLV080B12MP11 | CF/CM/CU24B | 1.04 | 1.08 | 0.98 |
| TMLV080B12MP11 | CF/CM/CU30B | 1.04 | 1.04 | 0.98 |
| TMLV080B12MP11 | CF/CM/CU36B | 1.02 | 0.95 | 0.96 |
| TMLV080B12MP11 | CF42B       | 1.04 | 1.06 | 0.96 |
| TMLX060A12MP11 | CF/CM/CU24A | 1.03 | 1.05 | 0.95 |
| TMLX060A12MP11 | CF/CM/CU30A | 1.04 | 1.05 | 0.94 |
| TMLX060A12MP11 | CF/CM36A    | 1.04 | 1.04 | 0.96 |
| TMLX080B12MP11 | CF/CM/CU24B | 1.03 | 1.05 | 0.95 |
| TMLX080B12MP11 | CF/CM/CU30B | 1.04 | 1.05 | 0.94 |
| TMLX080B12MP11 | CF/CM/CU36B | 1.04 | 1.05 | 0.94 |
| TMLX080B12MP11 | CF42B       | 1.04 | 1.04 | 0.94 |
| TMLX080C16MP11 | CF/CM/CU24C | 1.04 | 1.06 | 0.96 |
| TMLX080C16MP11 | CF/CM/CU30C | 1.04 | 1.05 | 0.94 |
| TMLX080C16MP11 | CF/CM/CU30D | 1.04 | 1.05 | 0.94 |
| TMLX080C16MP11 | CF/CM/CU36C | 1.04 | 1.05 | 0.94 |
| TMLX080C16MP11 | CF/CM/CU36D | 1.04 | 1.05 | 0.94 |
| TMLX080C16MP11 | CF/CM/CU42C | 1.04 | 1.05 | 0.94 |
| TMLX080C16MP11 | CF/CM/CU42D | 1.04 | 1.04 | 0.94 |
| TMLX100C16MP11 | CF/CM/CU24C | 1.04 | 1.06 | 0.96 |
| TMLX100C16MP11 | CF/CM/CU30C | 1.04 | 1.05 | 0.94 |
| TMLX100C16MP11 | CF/CM/CU30D | 1.04 | 1.05 | 0.94 |
| TMLX100C16MP11 | CF/CM/CU36C | 1.04 | 1.05 | 0.94 |
| TMLX100C16MP11 | CF/CM/CU36D | 1.04 | 1.05 | 0.94 |
| TMLX100C16MP11 | CF/CM/CU42C | 1.04 | 1.05 | 0.94 |
| TMLX100C16MP11 | CF/CM/CU42D | 1.04 | 1.04 | 0.94 |
| TMLX100C20MP11 | CF/CM/CU30C | 1.04 | 1.04 | 1.00 |
| TMLX100C20MP11 | CF/CM/CU30D | 1.04 | 1.08 | 1.00 |
| TMLX100C20MP11 | CF/CM/CU36C | 1.04 | 1.05 | 1.00 |
| TMLX100C20MP11 | CF/CM/CU36D | 1.04 | 1.06 | 1.00 |
| TMLX100C20MP11 | CF/CM/CU42C | 1.04 | 1.05 | 1.00 |
| TMLX100C20MP11 | CF/CM/CU42D | 1.04 | 1.05 | 1.00 |
| TMLX120C20MP11 | CF/CM/CU30C | 1.04 | 1.04 | 1.00 |
| TMLX120C20MP11 | CF/CM/CU30D | 1.04 | 1.08 | 1.00 |
| TMLX120C20MP11 | CF/CM/CU36C | 1.04 | 1.05 | 1.00 |
| TMLX120C20MP11 | CF/CM/CU36D | 1.04 | 1.06 | 1.00 |
| TMLX120C20MP11 | CF/CM/CU42C | 1.04 | 1.05 | 1.00 |

**FURNACE MULTIPLIERS- 2 TON (Continued)**

| Furnaces       | Coil        | T.C. | S.C. | KW   |
|----------------|-------------|------|------|------|
| TMLX120C20MP11 | CF/CM/CU42D | 1.04 | 1.05 | 1.00 |
| TP9C060B12MP12 | CF/CM/CU24B | 1.04 | 1.06 | 0.94 |
| TP9C060B12MP12 | CF/CM/CU30B | 1.01 | 0.95 | 0.95 |
| TP9C060B12MP12 | CF/CM/CU36B | 1.04 | 1.01 | 0.96 |
| TP9C060B12MP12 | CF42B       | 1.04 | 1.06 | 0.94 |
| TP9C080B12MP12 | CF/CM/CU24B | 1.04 | 1.06 | 0.94 |
| TP9C080B12MP12 | CF/CM/CU30B | 1.01 | 0.95 | 0.95 |
| TP9C080B12MP12 | CF/CM/CU36B | 1.04 | 1.01 | 0.96 |
| TP9C080B12MP12 | CF42B       | 1.04 | 1.06 | 0.94 |
| TP9C080C16MP12 | CF/CM/CU36C | 1.04 | 1.09 | 0.94 |
| TP9C100C16MP12 | CF/CM/CU36C | 1.04 | 1.09 | 0.94 |
| TPLC060A12MP12 | CF/CM/CU24A | 1.01 | 0.98 | 0.97 |
| TPLC060A12MP12 | CF/CM/CU30A | 1.02 | 1.00 | 0.96 |
| TPLC060A12MP12 | CF/CM36A    | 1.03 | 0.99 | 0.96 |
| TPLC080B12MP12 | CF/CM/CU24B | 1.04 | 1.08 | 0.98 |
| TPLC080B12MP12 | CF/CM/CU30B | 1.04 | 1.04 | 0.98 |
| TPLC080B12MP12 | CF/CM/CU36B | 1.02 | 0.95 | 0.96 |
| TPLC080B12MP12 | CF42B       | 1.04 | 1.06 | 0.96 |
| YP9C060B12MP12 | CF/CM/CU24B | 1.04 | 1.06 | 0.94 |
| YP9C060B12MP12 | CF/CM/CU30B | 1.01 | 0.95 | 0.95 |
| YP9C060B12MP12 | CF/CM/CU36B | 1.04 | 1.01 | 0.96 |
| YP9C060B12MP12 | CF42B       | 1.04 | 1.06 | 0.94 |
| YP9C080B12MP12 | CF/CM/CU24B | 1.04 | 1.06 | 0.94 |
| YP9C080B12MP12 | CF/CM/CU30B | 1.01 | 0.95 | 0.95 |
| YP9C080B12MP12 | CF/CM/CU36B | 1.04 | 1.01 | 0.96 |
| YP9C080B12MP12 | CF42B       | 1.04 | 1.06 | 0.94 |
| YP9C080C16MP12 | CF/CM/CU36C | 1.04 | 1.09 | 0.94 |
| YP9C100C16MP12 | CF/CM/CU36C | 1.04 | 1.09 | 0.94 |
| YPLC060A12MP12 | CF/CM/CU24A | 1.01 | 0.98 | 0.97 |
| YPLC060A12MP12 | CF/CM/CU30A | 1.02 | 1.00 | 0.96 |
| YPLC060A12MP12 | CF/CM36A    | 1.03 | 0.99 | 0.96 |
| YPLC080B12MP12 | CF/CM/CU24B | 1.04 | 1.08 | 0.98 |
| YPLC080B12MP12 | CF/CM/CU30B | 1.04 | 1.04 | 0.98 |
| YPLC080B12MP12 | CF/CM/CU36B | 1.02 | 0.95 | 0.96 |
| YPLC080B12MP12 | CF42B       | 1.04 | 1.06 | 0.96 |

## PERFORMANCE DATA - 2.5 TON

| CONDENSER-ONLY DATA (OUTDOOR UNIT) |                                   |          |                             |      |       |      |       |      |       |      |       |      |        |      |        |      |        |      |
|------------------------------------|-----------------------------------|----------|-----------------------------|------|-------|------|-------|------|-------|------|-------|------|--------|------|--------|------|--------|------|
| MODEL                              | SATURATED SUCTION<br>@ COMPRESSOR |          | Outdoor Ambient Temperature |      |       |      |       |      |       |      |       |      |        |      |        |      |        |      |
|                                    |                                   |          | 55 °F                       |      | 65 °F |      | 75 °F |      | 85 °F |      | 95 °F |      | 105 °F |      | 115 °F |      | 125 °F |      |
|                                    | T (°F)                            | P (PSIG) | MBH                         | KW   | MBH   | KW   | MBH   | KW   | MBH   | KW   | MBH   | KW   | MBH    | KW   | MBH    | KW   | MBH    | KW   |
| YCE30B21H                          | 35                                | 107      | 30.1                        | 1.50 | 27.2  | 1.65 | 24.5  | 1.81 | 22.0  | 1.95 | 19.6  | 2.07 | 17.1   | 2.17 | 14.7   | 2.24 | 12.1   | 2.26 |
|                                    | 40                                | 118      | 34.0                        | 1.47 | 30.7  | 1.64 | 27.8  | 1.81 | 25.0  | 1.98 | 22.4  | 2.13 | 19.7   | 2.26 | 17.0   | 2.35 | 14.3   | 2.40 |
|                                    | 45                                | 130      | 38.2                        | 1.42 | 34.7  | 1.62 | 31.4  | 1.81 | 28.4  | 2.00 | 25.4  | 2.17 | 22.5   | 2.33 | 19.6   | 2.45 | 16.6   | 2.53 |
|                                    | 50                                | 142      | 42.7                        | 1.37 | 39.0  | 1.58 | 35.4  | 1.79 | 32.1  | 2.00 | 28.8  | 2.19 | 25.6   | 2.38 | 22.4   | 2.54 | 19.2   | 2.64 |
|                                    | 55                                | 156      | 47.6                        | 1.30 | 43.5  | 1.53 | 39.7  | 1.76 | 36.1  | 1.99 | 32.5  | 2.21 | 29.0   | 2.42 | 25.5   | 2.61 | 22.0   | 2.74 |

## Notes:

- For Outdoor Unit (Condenser) performance only. Data does not include the effects of air handler power or heat.
- Performance based on 15°F subcooling and 15°F superheat at the Outdoor Unit base valves.
  - Increase capacity by 1% for each 2°F increase in subcooling.
  - Decrease capacity by 1% for each 2°F decrease in subcooling.
- Maximum recommended condensing temperature is 140°F.

| COOLING PERFORMANCE DATA                   |            |           |      |      |      |      |      |      |      |      |      |      |      |      |      |      |
|--------------------------------------------|------------|-----------|------|------|------|------|------|------|------|------|------|------|------|------|------|------|
| OUTDOOR UNIT MODEL NO.                     |            | YCE30B21H |      |      |      |      |      |      |      |      |      |      |      |      |      |      |
| INDOOR COIL MODEL NO.                      |            | CF30BXA1  |      |      |      |      |      |      |      |      |      |      |      |      |      |      |
| AIR TEMP.<br>ENTERING<br>OUTDOOR UNIT (°F) | ID CFM     | 800       |      |      |      |      | 1000 |      |      |      |      | 1200 |      |      |      |      |
|                                            | ID DB (°F) | 80        | 80   | 75   | 80   | 80   | 80   | 80   | 75   | 80   | 80   | 80   | 80   | 75   | 80   | 80   |
|                                            | ID WB (°F) | 57        | 62   | 62   | 67   | 72   | 57   | 62   | 62   | 67   | 72   | 57   | 62   | 62   | 67   | 72   |
| 55                                         | T.C.       | 29.8      | 32.9 | 32.6 | 34.9 | 36.7 | 30.8 | 33.3 | 33.1 | 35.0 | 36.7 | 31.9 | 33.7 | 33.6 | 35.1 | 36.8 |
|                                            | S.C.       | 29.8      | 25.6 | 22.2 | 21.1 | 17.0 | 30.8 | 27.0 | 23.3 | 21.9 | 17.3 | 31.9 | 28.4 | 24.3 | 22.8 | 17.6 |
|                                            | KW         | 1.68      | 1.68 | 1.68 | 1.68 | 1.68 | 1.76 | 1.76 | 1.76 | 1.76 | 1.76 | 1.83 | 1.83 | 1.83 | 1.83 | 1.83 |
| 65                                         | T.C.       | 28.3      | 31.2 | 30.9 | 34.0 | 36.4 | 29.8 | 31.9 | 31.7 | 34.3 | 36.7 | 31.2 | 32.6 | 32.6 | 34.6 | 36.9 |
|                                            | S.C.       | 28.3      | 24.9 | 21.5 | 21.0 | 17.0 | 29.8 | 26.9 | 23.0 | 22.1 | 17.5 | 31.2 | 29.0 | 24.4 | 23.3 | 18.0 |
|                                            | KW         | 1.86      | 1.86 | 1.86 | 1.86 | 1.88 | 1.93 | 1.93 | 1.93 | 1.94 | 1.96 | 2.01 | 2.01 | 2.01 | 2.03 | 2.03 |
| 75                                         | T.C.       | 26.9      | 29.5 | 29.1 | 33.1 | 36.2 | 28.7 | 30.4 | 30.3 | 33.7 | 36.6 | 30.5 | 31.4 | 31.5 | 34.2 | 37.1 |
|                                            | S.C.       | 26.9      | 24.2 | 20.8 | 20.9 | 17.0 | 28.7 | 26.9 | 22.6 | 22.3 | 17.7 | 30.5 | 29.5 | 24.5 | 23.8 | 18.4 |
|                                            | KW         | 2.03      | 2.03 | 2.03 | 2.03 | 2.08 | 2.11 | 2.11 | 2.11 | 2.13 | 2.16 | 2.18 | 2.18 | 2.18 | 2.23 | 2.23 |
| 85                                         | T.C.       | 25.6      | 27.6 | 27.4 | 31.0 | 34.5 | 27.2 | 28.4 | 28.2 | 31.5 | 35.1 | 28.9 | 29.3 | 29.0 | 32.0 | 35.7 |
|                                            | S.C.       | 25.5      | 23.4 | 19.9 | 19.9 | 16.1 | 27.2 | 25.9 | 21.8 | 21.7 | 17.0 | 28.9 | 28.4 | 23.7 | 23.4 | 17.9 |
|                                            | KW         | 2.18      | 2.20 | 2.20 | 2.23 | 2.25 | 2.27 | 2.28 | 2.28 | 2.32 | 2.34 | 2.35 | 2.35 | 2.35 | 2.40 | 2.43 |
| 95                                         | T.C.       | 24.3      | 25.7 | 25.6 | 28.9 | 32.9 | 25.8 | 26.4 | 26.0 | 29.4 | 33.6 | 27.3 | 27.2 | 26.5 | 29.9 | 34.2 |
|                                            | S.C.       | 24.2      | 22.5 | 19.0 | 18.9 | 15.2 | 25.8 | 24.9 | 21.0 | 21.0 | 16.3 | 27.3 | 27.2 | 23.0 | 23.1 | 17.3 |
|                                            | KW         | 2.33      | 2.38 | 2.38 | 2.43 | 2.43 | 2.43 | 2.45 | 2.45 | 2.50 | 2.53 | 2.53 | 2.53 | 2.53 | 2.58 | 2.63 |
| 105                                        | T.C.       | 22.2      | 23.2 | 23.0 | 26.4 | 30.1 | 23.6 | 24.1 | 23.5 | 26.9 | 30.7 | 25.1 | 24.9 | 24.0 | 27.4 | 31.3 |
|                                            | S.C.       | 22.2      | 21.1 | 17.7 | 17.9 | 14.4 | 23.6 | 23.1 | 19.6 | 19.8 | 15.5 | 25.1 | 24.9 | 21.5 | 21.7 | 16.6 |
|                                            | KW         | 2.50      | 2.53 | 2.53 | 2.60 | 2.63 | 2.60 | 2.62 | 2.61 | 2.68 | 2.72 | 2.71 | 2.71 | 2.70 | 2.76 | 2.81 |
| 115                                        | T.C.       | 20.2      | 20.8 | 20.5 | 23.9 | 27.4 | 21.5 | 21.7 | 21.0 | 24.4 | 27.9 | 22.9 | 22.7 | 21.5 | 24.9 | 28.4 |
|                                            | S.C.       | 20.2      | 19.8 | 16.4 | 16.9 | 13.6 | 21.5 | 21.3 | 18.2 | 18.6 | 14.7 | 22.9 | 22.7 | 20.1 | 20.3 | 15.8 |
|                                            | KW         | 2.66      | 2.68 | 2.68 | 2.76 | 2.83 | 2.78 | 2.78 | 2.77 | 2.85 | 2.91 | 2.89 | 2.89 | 2.86 | 2.94 | 2.99 |
| 125                                        | T.C.       | 18.2      | 18.3 | 17.9 | 21.4 | 24.7 | 19.5 | 19.4 | 18.5 | 22.0 | 25.1 | 20.7 | 20.5 | 19.1 | 22.5 | 25.5 |
|                                            | S.C.       | 18.2      | 18.3 | 15.0 | 15.9 | 12.8 | 19.5 | 19.4 | 16.8 | 17.4 | 13.9 | 20.7 | 20.5 | 18.6 | 18.9 | 15.1 |
|                                            | KW         | 2.82      | 2.82 | 2.82 | 2.92 | 3.02 | 2.95 | 2.95 | 2.92 | 3.02 | 3.10 | 3.07 | 3.07 | 3.02 | 3.12 | 3.17 |

ALL CAPACITIES INCLUDE INDOOR FAN HEAT. KW VALUES ARE FOR THE SYSTEM (OUTDOOR + INDOOR).

Green shaded cells are ACCA (TVA) conditions.

Blue shaded cells are AHRI conditions.

## Multipliers for determining the performance with other indoor sections.

**NOTE:** For dry bulb temperatures different than those listed (between 73-87 °F), sensible capacity increases by 1060 BTUH per 1000 CFM per degree above the listed temperature and decreases by 1060 BTUH per 1000 CFM per degree below the listed temperature.

**COIL MULTIPLIERS- 2.5 TON**

| Air Handler | Coil        | T.C. | S.C. | KW   |
|-------------|-------------|------|------|------|
| -           | CF/CM/CU30B | 1.00 | 1.00 | 1.00 |
| -           | CF/CM/CU30C | 1.01 | 1.01 | 1.01 |
| -           | CF/CM/CU30D | 1.01 | 1.01 | 1.01 |
| -           | CF/CM/CU36B | 1.02 | 1.01 | 1.02 |
| -           | CF/CM/CU36C | 1.02 | 1.01 | 1.02 |
| -           | CF/CM/CU36D | 1.02 | 1.01 | 1.02 |
| -           | CF/CM/CU42C | 1.02 | 1.02 | 1.02 |
| -           | CF/CM/CU42D | 1.02 | 1.02 | 1.02 |
| -           | CF/CM36A    | 1.01 | 0.96 | 1.01 |
| -           | CF42B       | 1.02 | 1.02 | 1.02 |
| AE30BX21    | -           | 1.02 | 1.03 | 0.96 |
| AE36BX21    | -           | 1.02 | 1.02 | 0.96 |
| AE36CX21    | -           | 1.02 | 1.01 | 0.94 |
| AP30BX21    | -           | 1.01 | 1.01 | 1.01 |
| AP36BX21    | -           | 1.02 | 1.01 | 1.02 |
| AP36CX21    | -           | 1.02 | 1.02 | 1.02 |
| AP42CX21    | -           | 1.02 | 1.06 | 1.02 |
| AVC30BX21   | -           | 1.02 | 1.02 | 0.98 |
| AVC36BX21   | -           | 1.02 | 1.03 | 0.94 |
| AVC36CX21   | -           | 1.02 | 1.03 | 0.92 |
| ME08BN21    | CF/CM30B    | 1.02 | 1.00 | 0.96 |
| ME08BN21    | CF/CM36B    | 1.01 | 0.96 | 0.93 |
| ME08BN21    | CF42B       | 1.01 | 0.97 | 0.93 |
| ME12BN21    | CF/CM30B    | 1.01 | 0.93 | 0.95 |
| ME12BN21    | CF/CM36B    | 1.01 | 1.02 | 0.93 |
| ME12BN21    | CF42B       | 1.01 | 1.01 | 0.95 |
| ME14DN21    | CF/CM30D    | 1.02 | 1.05 | 0.94 |
| ME14DN21    | CF/CM36D    | 1.02 | 1.03 | 0.94 |
| ME14DN21    | CF/CM42D    | 1.02 | 1.01 | 0.94 |
| ME16CN21    | CF/CM30C    | 1.02 | 1.04 | 0.96 |
| ME16CN21    | CF/CM36C    | 1.02 | 1.07 | 0.96 |
| ME16CN21    | CF/CM42C    | 1.02 | 1.01 | 0.98 |
| MVC08BN21   | CF42B       | 1.02 | 0.95 | 0.96 |
| MVC12BN21   | CF/CM30B    | 1.01 | 0.94 | 0.95 |
| MVC12BN21   | CF/CM36B    | 1.02 | 1.01 | 0.96 |
| MVC12BN21   | CF42B       | 1.02 | 1.01 | 0.96 |
| MVC14DN21   | CF/CM30D    | 1.02 | 1.00 | 0.94 |
| MVC14DN21   | CF/CM36D    | 1.02 | 1.00 | 0.94 |
| MVC14DN21   | CF/CM42D    | 1.02 | 1.01 | 0.90 |
| MVC16CN21   | CF/CM30C    | 1.02 | 1.00 | 0.94 |
| MVC16CN21   | CF/CM36C    | 1.02 | 1.03 | 0.94 |
| MVC16CN21   | CF/CM42C    | 1.02 | 0.98 | 0.94 |
| MVC20DN21   | CF/CM36D    | 1.02 | 1.07 | 0.94 |
| MVC20DN21   | CF/CM42D    | 1.02 | 1.07 | 0.94 |

**FURNACE MULTIPLIERS- 2.5 TON**

| Furnaces       | Coil        | T.C. | S.C. | KW   |
|----------------|-------------|------|------|------|
| TM8V060A12MP11 | CF/CM/CU30A | 1.02 | 1.02 | 1.02 |
| TM8V060A12MP11 | CF/CM36A    | 1.01 | 0.96 | 0.99 |
| TM8V080B12MP11 | CF/CM/CU36B | 1.02 | 1.01 | 1.00 |
| TM8V080B12MP11 | CF42B       | 1.00 | 0.95 | 0.96 |
| TM8V080C16MP11 | CF/CM/CU30C | 1.02 | 1.00 | 0.96 |

**FURNACE MULTIPLIERS- 2.5 TON (Continued)**

| Furnaces       | Coil        | T.C. | S.C. | KW   |
|----------------|-------------|------|------|------|
| TM8V080C16MP11 | CF/CM/CU36C | 1.02 | 1.07 | 0.96 |
| TM8V080C16MP11 | CF/CM/CU42C | 1.02 | 0.99 | 0.96 |
| TM8V100C16MP11 | CF/CM/CU30C | 1.02 | 1.00 | 0.96 |
| TM8V100C16MP11 | CF/CM/CU36C | 1.02 | 1.07 | 0.96 |
| TM8V100C16MP11 | CF/CM/CU42C | 1.02 | 0.99 | 0.96 |
| TM8V100C20MP11 | CF/CM/CU36C | 1.02 | 1.06 | 0.96 |
| TM8V100C20MP11 | CF/CM/CU42C | 1.02 | 1.06 | 0.96 |
| TM8V120C20MP11 | CF/CM/CU36C | 1.02 | 1.06 | 0.96 |
| TM8V120C20MP11 | CF/CM/CU42C | 1.02 | 1.06 | 0.96 |
| TM8X060A12MP11 | CF/CM/CU30A | 1.02 | 1.03 | 1.00 |
| TM8X060A12MP11 | CF/CM36A    | 1.02 | 1.01 | 0.98 |
| TM8X080B12MP11 | CF/CM/CU30B | 1.02 | 1.03 | 1.00 |
| TM8X080B12MP11 | CF/CM/CU36B | 1.02 | 1.02 | 0.96 |
| TM8X080B12MP11 | CF42B       | 1.02 | 1.01 | 0.98 |
| TM8X080C16MP11 | CF/CM/CU30C | 1.02 | 1.05 | 0.96 |
| TM8X080C16MP11 | CF/CM/CU30D | 1.02 | 1.05 | 0.94 |
| TM8X080C16MP11 | CF/CM/CU36C | 1.02 | 1.04 | 0.94 |
| TM8X080C16MP11 | CF/CM/CU36D | 1.02 | 1.05 | 0.94 |
| TM8X080C16MP11 | CF/CM/CU42C | 1.02 | 1.05 | 0.94 |
| TM8X080C16MP11 | CF/CM/CU42D | 1.02 | 1.05 | 0.94 |
| TM8X100C16MP11 | CF/CM/CU30C | 1.02 | 1.05 | 0.96 |
| TM8X100C16MP11 | CF/CM/CU30D | 1.02 | 1.05 | 0.94 |
| TM8X100C16MP11 | CF/CM/CU36C | 1.02 | 1.04 | 0.94 |
| TM8X100C16MP11 | CF/CM/CU36D | 1.02 | 1.05 | 0.94 |
| TM8X100C16MP11 | CF/CM/CU42C | 1.02 | 1.05 | 0.94 |
| TM8X100C16MP11 | CF/CM/CU42D | 1.02 | 1.05 | 0.94 |
| TM8X100C20MP11 | CF/CM/CU30C | 1.02 | 1.05 | 0.96 |
| TM8X100C20MP11 | CF/CM/CU30D | 1.02 | 1.05 | 0.96 |
| TM8X100C20MP11 | CF/CM/CU36C | 1.02 | 1.05 | 0.94 |
| TM8X100C20MP11 | CF/CM/CU36D | 1.02 | 1.07 | 0.94 |
| TM8X100C20MP11 | CF/CM/CU42C | 1.02 | 1.05 | 0.94 |
| TM8X100C20MP11 | CF/CM/CU42D | 1.02 | 1.06 | 0.94 |
| TM8X120C20MP11 | CF/CM/CU30C | 1.02 | 1.05 | 0.96 |
| TM8X120C20MP11 | CF/CM/CU30D | 1.02 | 1.05 | 0.96 |
| TM8X120C20MP11 | CF/CM/CU36C | 1.02 | 1.05 | 0.94 |
| TM8X120C20MP11 | CF/CM/CU36D | 1.02 | 1.07 | 0.94 |
| TM8X120C20MP11 | CF/CM/CU42C | 1.02 | 1.05 | 0.94 |
| TM8X120C20MP11 | CF/CM/CU42D | 1.02 | 1.06 | 0.94 |
| TM8Y060A12MP11 | CF/CM/CU30A | 1.02 | 1.03 | 1.00 |
| TM8Y060A12MP11 | CF/CM36A    | 1.02 | 1.01 | 0.98 |
| TM8Y080B12MP11 | CF/CM/CU30B | 1.02 | 1.03 | 1.00 |
| TM8Y080B12MP11 | CF/CM/CU36B | 1.02 | 1.02 | 0.96 |
| TM8Y080B12MP11 | CF42B       | 1.02 | 1.01 | 0.98 |
| TM8Y080C16MP11 | CF/CM/CU30C | 1.02 | 1.05 | 0.96 |
| TM8Y080C16MP11 | CF/CM/CU30D | 1.02 | 1.05 | 0.94 |
| TM8Y080C16MP11 | CF/CM/CU36C | 1.02 | 1.04 | 0.94 |
| TM8Y080C16MP11 | CF/CM/CU36D | 1.02 | 1.05 | 0.94 |
| TM8Y080C16MP11 | CF/CM/CU42C | 1.02 | 1.05 | 0.94 |
| TM8Y080C16MP11 | CF/CM/CU42D | 1.02 | 1.05 | 0.94 |
| TM8Y100C16MP11 | CF/CM/CU30C | 1.02 | 1.05 | 0.96 |
| TM8Y100C16MP11 | CF/CM/CU30D | 1.02 | 1.05 | 0.94 |
| TM8Y100C16MP11 | CF/CM/CU36C | 1.02 | 1.04 | 0.94 |

## FURNACE MULTIPLIERS- 2.5 TON (Continued)

| Furnaces       | Coil        | T.C. | S.C. | KW   |
|----------------|-------------|------|------|------|
| TM8Y100C16MP11 | CF/CM/CU36D | 1.02 | 1.05 | 0.94 |
| TM8Y100C16MP11 | CF/CM/CU42C | 1.02 | 1.05 | 0.94 |
| TM8Y100C16MP11 | CF/CM/CU42D | 1.02 | 1.05 | 0.94 |
| TM8Y100C20MP11 | CF/CM/CU30C | 1.02 | 1.05 | 0.96 |
| TM8Y100C20MP11 | CF/CM/CU30D | 1.02 | 1.05 | 0.96 |
| TM8Y100C20MP11 | CF/CM/CU36C | 1.02 | 1.05 | 0.94 |
| TM8Y100C20MP11 | CF/CM/CU36D | 1.02 | 1.07 | 0.94 |
| TM8Y100C20MP11 | CF/CM/CU42C | 1.02 | 1.05 | 0.94 |
| TM8Y100C20MP11 | CF/CM/CU42D | 1.02 | 1.06 | 0.94 |
| TM8Y120C20MP11 | CF/CM/CU30C | 1.02 | 1.05 | 0.96 |
| TM8Y120C20MP11 | CF/CM/CU30D | 1.02 | 1.05 | 0.96 |
| TM8Y120C20MP11 | CF/CM/CU36C | 1.02 | 1.05 | 0.94 |
| TM8Y120C20MP11 | CF/CM/CU36D | 1.02 | 1.07 | 0.94 |
| TM8Y120C20MP11 | CF/CM/CU42C | 1.02 | 1.05 | 0.94 |
| TM8Y120C20MP11 | CF/CM/CU42D | 1.02 | 1.06 | 0.94 |
| TM9E040A10MP11 | CF/CM/CU30A | 1.00 | 0.96 | 1.02 |
| TM9E040A10MP11 | CF/CM36A    | 1.01 | 0.96 | 1.01 |
| TM9E060B12MP11 | CF/CM/CU30B | 1.01 | 0.99 | 0.97 |
| TM9E060B12MP11 | CF/CM/CU36B | 1.02 | 0.98 | 0.96 |
| TM9E060B12MP11 | CF42B       | 1.02 | 0.98 | 0.96 |
| TM9E080B12MP11 | CF/CM/CU30B | 1.01 | 0.99 | 0.97 |
| TM9E080B12MP11 | CF/CM/CU36B | 1.02 | 0.98 | 0.96 |
| TM9E080B12MP11 | CF42B       | 1.02 | 0.98 | 0.96 |
| TM9E080C16MP11 | CF/CM/CU30C | 1.02 | 1.05 | 0.96 |
| TM9E080C16MP11 | CF/CM/CU30D | 1.02 | 1.04 | 0.96 |
| TM9E080C16MP11 | CF/CM/CU36C | 1.02 | 1.03 | 0.96 |
| TM9E080C16MP11 | CF/CM/CU42C | 1.02 | 1.01 | 0.96 |
| TM9E100C16MP11 | CF/CM/CU30C | 1.02 | 1.05 | 0.96 |
| TM9E100C16MP11 | CF/CM/CU30D | 1.02 | 1.04 | 0.96 |
| TM9E100C16MP11 | CF/CM/CU36C | 1.02 | 1.03 | 0.96 |
| TM9E100C16MP11 | CF/CM/CU42C | 1.02 | 1.01 | 0.96 |
| TM9E100C20MP11 | CF/CM/CU30C | 1.02 | 1.03 | 0.94 |
| TM9E100C20MP11 | CF/CM/CU36C | 1.02 | 1.01 | 0.94 |
| TM9E100C20MP11 | CF/CM/CU42C | 1.02 | 1.01 | 0.94 |
| TM9E120D20MP11 | CF/CM/CU30D | 1.02 | 1.03 | 0.94 |
| TM9E120D20MP11 | CF/CM/CU36D | 1.02 | 1.01 | 0.92 |
| TM9E120D20MP11 | CF/CM/CU42D | 1.02 | 1.01 | 0.92 |
| TM9V060B12MP11 | CF/CM/CU30B | 1.01 | 0.93 | 0.97 |
| TM9V060B12MP11 | CF/CM/CU36B | 1.02 | 1.00 | 0.98 |
| TM9V060B12MP11 | CF42B       | 1.02 | 0.99 | 0.94 |
| TM9V080B12MP11 | CF/CM/CU30B | 1.01 | 0.93 | 0.97 |
| TM9V080B12MP11 | CF/CM/CU36B | 1.02 | 1.00 | 0.98 |
| TM9V080B12MP11 | CF42B       | 1.02 | 0.99 | 0.94 |
| TM9V080C16MP11 | CF/CM/CU30C | 1.02 | 1.00 | 0.94 |
| TM9V080C16MP11 | CF/CM/CU36C | 1.02 | 1.01 | 0.94 |
| TM9V080C16MP11 | CF/CM/CU42C | 1.02 | 1.01 | 0.94 |
| TM9V100C16MP11 | CF/CM/CU30C | 1.02 | 1.00 | 0.94 |
| TM9V100C16MP11 | CF/CM/CU36C | 1.02 | 1.01 | 0.94 |
| TM9V100C16MP11 | CF/CM/CU42C | 1.02 | 1.01 | 0.94 |
| TM9V100C20MP11 | CF/CM/CU30C | 1.02 | 1.04 | 0.96 |
| TM9V100C20MP11 | CF/CM/CU36C | 1.02 | 1.05 | 0.98 |
| TM9V120D20MP11 | CF/CM/CU36D | 1.02 | 1.07 | 0.92 |

## FURNACE MULTIPLIERS- 2.5 TON (Continued)

| Furnaces       | Coil        | T.C. | S.C. | KW   |
|----------------|-------------|------|------|------|
| TM9V120D20MP11 | CF/CM/CU42D | 1.02 | 1.07 | 0.94 |
| TM9Y040A10MP11 | CF/CM/CU30A | 1.00 | 0.96 | 1.02 |
| TM9Y040A10MP11 | CF/CM36A    | 1.01 | 0.96 | 1.01 |
| TM9Y060B12MP11 | CF/CM/CU30B | 1.01 | 0.99 | 0.97 |
| TM9Y060B12MP11 | CF/CM/CU36B | 1.02 | 0.98 | 0.96 |
| TM9Y060B12MP11 | CF42B       | 1.02 | 0.98 | 0.96 |
| TM9Y080B12MP11 | CF/CM/CU30B | 1.01 | 0.99 | 0.97 |
| TM9Y080B12MP11 | CF/CM/CU36B | 1.02 | 0.98 | 0.96 |
| TM9Y080B12MP11 | CF42B       | 1.02 | 0.98 | 0.96 |
| TM9Y080C16MP11 | CF/CM/CU30C | 1.02 | 1.05 | 0.96 |
| TM9Y080C16MP11 | CF/CM/CU30D | 1.02 | 1.04 | 0.96 |
| TM9Y080C16MP11 | CF/CM/CU36C | 1.02 | 1.03 | 0.96 |
| TM9Y080C16MP11 | CF/CM/CU42C | 1.02 | 1.01 | 0.96 |
| TM9Y100C16MP11 | CF/CM/CU30C | 1.02 | 1.05 | 0.96 |
| TM9Y100C16MP11 | CF/CM/CU30D | 1.02 | 1.04 | 0.96 |
| TM9Y100C16MP11 | CF/CM/CU36C | 1.02 | 1.03 | 0.96 |
| TM9Y100C16MP11 | CF/CM/CU42C | 1.02 | 1.01 | 0.96 |
| TM9Y100C20MP11 | CF/CM/CU30C | 1.02 | 1.03 | 0.94 |
| TM9Y100C20MP11 | CF/CM/CU36C | 1.02 | 1.01 | 0.94 |
| TM9Y100C20MP11 | CF/CM/CU42C | 1.02 | 1.01 | 0.94 |
| TM9Y120D20MP11 | CF/CM/CU30D | 1.02 | 1.03 | 0.94 |
| TM9Y120D20MP11 | CF/CM/CU36D | 1.02 | 1.01 | 0.92 |
| TM9Y120D20MP11 | CF/CM/CU42D | 1.02 | 1.01 | 0.92 |
| TMLV060A12MP11 | CF/CM/CU30A | 1.02 | 1.02 | 1.02 |
| TMLV060A12MP11 | CF/CM36A    | 1.01 | 0.96 | 0.99 |
| TMLV080B12MP11 | CF/CM/CU36B | 1.02 | 1.01 | 1.00 |
| TMLV080B12MP11 | CF42B       | 1.00 | 0.95 | 0.96 |
| TMLV080C16MP11 | CF/CM/CU30C | 1.02 | 1.00 | 0.96 |
| TMLV080C16MP11 | CF/CM/CU36C | 1.02 | 1.07 | 0.96 |
| TMLV080C16MP11 | CF/CM/CU42C | 1.02 | 0.99 | 0.96 |
| TMLV100C16MP11 | CF/CM/CU30C | 1.02 | 1.00 | 0.96 |
| TMLV100C16MP11 | CF/CM/CU36C | 1.02 | 1.07 | 0.96 |
| TMLV100C16MP11 | CF/CM/CU42C | 1.02 | 0.99 | 0.96 |
| TMLV100C20MP11 | CF/CM/CU36C | 1.02 | 1.06 | 0.96 |
| TMLV100C20MP11 | CF/CM/CU42C | 1.02 | 1.06 | 0.96 |
| TMLV120C20MP11 | CF/CM/CU36C | 1.02 | 1.06 | 0.96 |
| TMLV120C20MP11 | CF/CM/CU42C | 1.02 | 1.06 | 0.96 |
| TMLX060A12MP11 | CF/CM/CU30A | 1.02 | 1.03 | 1.00 |
| TMLX060A12MP11 | CF/CM36A    | 1.02 | 1.01 | 0.98 |
| TMLX080B12MP11 | CF/CM/CU30B | 1.02 | 1.03 | 1.00 |
| TMLX080B12MP11 | CF/CM/CU36B | 1.02 | 1.02 | 0.96 |
| TMLX080B12MP11 | CF42B       | 1.02 | 1.01 | 0.98 |
| TMLX080C16MP11 | CF/CM/CU30C | 1.02 | 1.05 | 0.96 |
| TMLX080C16MP11 | CF/CM/CU30D | 1.02 | 1.05 | 0.94 |
| TMLX080C16MP11 | CF/CM/CU36C | 1.02 | 1.04 | 0.94 |
| TMLX080C16MP11 | CF/CM/CU36D | 1.02 | 1.05 | 0.94 |
| TMLX080C16MP11 | CF/CM/CU42C | 1.02 | 1.05 | 0.94 |
| TMLX080C16MP11 | CF/CM/CU42D | 1.02 | 1.05 | 0.94 |
| TMLX100C16MP11 | CF/CM/CU30C | 1.02 | 1.05 | 0.96 |
| TMLX100C16MP11 | CF/CM/CU30D | 1.02 | 1.05 | 0.94 |
| TMLX100C16MP11 | CF/CM/CU36C | 1.02 | 1.04 | 0.94 |
| TMLX100C16MP11 | CF/CM/CU36D | 1.02 | 1.05 | 0.94 |

## FURNACE MULTIPLIERS- 2.5 TON (Continued)

| Furnaces       | Coil        | T.C. | S.C. | KW   |
|----------------|-------------|------|------|------|
| TMLX100C16MP11 | CF/CM/CU42C | 1.02 | 1.05 | 0.94 |
| TMLX100C16MP11 | CF/CM/CU42D | 1.02 | 1.05 | 0.94 |
| TMLX100C20MP11 | CF/CM/CU30C | 1.02 | 1.05 | 0.96 |
| TMLX100C20MP11 | CF/CM/CU30D | 1.02 | 1.05 | 0.96 |
| TMLX100C20MP11 | CF/CM/CU36C | 1.02 | 1.05 | 0.94 |
| TMLX100C20MP11 | CF/CM/CU36D | 1.02 | 1.07 | 0.94 |
| TMLX100C20MP11 | CF/CM/CU42C | 1.02 | 1.05 | 0.94 |
| TMLX100C20MP11 | CF/CM/CU42D | 1.02 | 1.06 | 0.94 |
| TMLX120C20MP11 | CF/CM/CU30C | 1.02 | 1.05 | 0.96 |
| TMLX120C20MP11 | CF/CM/CU30D | 1.02 | 1.05 | 0.96 |
| TMLX120C20MP11 | CF/CM/CU36C | 1.02 | 1.05 | 0.94 |
| TMLX120C20MP11 | CF/CM/CU36D | 1.02 | 1.07 | 0.94 |
| TMLX120C20MP11 | CF/CM/CU42C | 1.02 | 1.05 | 0.94 |
| TMLX120C20MP11 | CF/CM/CU42D | 1.02 | 1.06 | 0.94 |
| TP9C060B12MP12 | CF/CM/CU30B | 1.01 | 0.93 | 0.97 |
| TP9C060B12MP12 | CF/CM/CU36B | 1.02 | 1.00 | 0.98 |
| TP9C060B12MP12 | CF42B       | 1.02 | 0.99 | 0.94 |
| TP9C080B12MP12 | CF/CM/CU30B | 1.01 | 0.93 | 0.97 |
| TP9C080B12MP12 | CF/CM/CU36B | 1.02 | 1.00 | 0.98 |
| TP9C080B12MP12 | CF42B       | 1.02 | 0.99 | 0.94 |
| TP9C080C16MP12 | CF/CM/CU30C | 1.02 | 1.00 | 0.94 |
| TP9C080C16MP12 | CF/CM/CU36C | 1.02 | 1.01 | 0.94 |
| TP9C080C16MP12 | CF/CM/CU42C | 1.02 | 1.01 | 0.94 |
| TP9C100C16MP12 | CF/CM/CU30C | 1.02 | 1.00 | 0.94 |
| TP9C100C16MP12 | CF/CM/CU36C | 1.02 | 1.01 | 0.94 |
| TP9C100C16MP12 | CF/CM/CU42C | 1.02 | 1.01 | 0.94 |
| TP9C100C20MP12 | CF/CM/CU30C | 1.02 | 1.04 | 0.96 |
| TP9C100C20MP12 | CF/CM/CU36C | 1.02 | 1.05 | 0.98 |
| TP9C120D20MP12 | CF/CM/CU36D | 1.02 | 1.07 | 0.92 |
| TP9C120D20MP12 | CF/CM/CU42D | 1.02 | 1.07 | 0.94 |
| TPLC060A12MP12 | CF/CM/CU30A | 1.02 | 1.02 | 1.02 |
| TPLC060A12MP12 | CF/CM36A    | 1.01 | 0.96 | 0.99 |
| TPLC080B12MP12 | CF/CM/CU36B | 1.02 | 1.01 | 1.00 |
| TPLC080B12MP12 | CF42B       | 1.00 | 0.95 | 0.96 |
| TPLC080C16MP12 | CF/CM/CU30C | 1.02 | 1.00 | 0.96 |
| TPLC080C16MP12 | CF/CM/CU36C | 1.02 | 1.07 | 0.96 |
| TPLC080C16MP12 | CF/CM/CU42C | 1.02 | 0.99 | 0.96 |
| TPLC100C16MP12 | CF/CM/CU30C | 1.02 | 1.00 | 0.96 |
| TPLC100C16MP12 | CF/CM/CU36C | 1.02 | 1.07 | 0.96 |
| TPLC100C16MP12 | CF/CM/CU42C | 1.02 | 0.99 | 0.96 |
| TPLC100C20MP12 | CF/CM/CU36C | 1.02 | 1.06 | 0.96 |
| TPLC100C20MP12 | CF/CM/CU42C | 1.02 | 1.06 | 0.96 |
| TPLC120C20MP12 | CF/CM/CU36C | 1.02 | 1.06 | 0.96 |
| TPLC120C20MP12 | CF/CM/CU42C | 1.02 | 1.06 | 0.96 |

## FURNACE MULTIPLIERS- 2.5 TON (Continued)

| Furnaces       | Coil        | T.C. | S.C. | KW   |
|----------------|-------------|------|------|------|
| TPLC100C16MP12 | CF/CM/CU36C | 1.02 | 1.07 | 0.96 |
| TPLC100C16MP12 | CF/CM/CU42C | 1.02 | 0.99 | 0.96 |
| TPLC100C20MP12 | CF/CM/CU36C | 1.02 | 1.06 | 0.96 |
| TPLC100C20MP12 | CF/CM/CU42C | 1.02 | 1.06 | 0.96 |
| TPLC120C20MP12 | CF/CM/CU36C | 1.02 | 1.06 | 0.96 |
| TPLC120C20MP12 | CF/CM/CU42C | 1.02 | 1.06 | 0.96 |
| YP9C060B12MP12 | CF/CM/CU30B | 1.01 | 0.93 | 0.97 |
| YP9C060B12MP12 | CF/CM/CU36B | 1.02 | 1.00 | 0.98 |
| YP9C060B12MP12 | CF42B       | 1.02 | 0.99 | 0.94 |
| YP9C080B12MP12 | CF/CM/CU30B | 1.01 | 0.93 | 0.97 |
| YP9C080B12MP12 | CF/CM/CU36B | 1.02 | 1.00 | 0.98 |
| YP9C080B12MP12 | CF42B       | 1.02 | 0.99 | 0.94 |
| YP9C080C16MP12 | CF/CM/CU30C | 1.02 | 1.00 | 0.94 |
| YP9C080C16MP12 | CF/CM/CU36C | 1.02 | 1.01 | 0.94 |
| YP9C080C16MP12 | CF/CM/CU42C | 1.02 | 1.01 | 0.94 |
| YP9C100C16MP12 | CF/CM/CU30C | 1.02 | 1.00 | 0.94 |
| YP9C100C16MP12 | CF/CM/CU36C | 1.02 | 1.01 | 0.94 |
| YP9C100C16MP12 | CF/CM/CU42C | 1.02 | 1.01 | 0.94 |
| YP9C100C20MP12 | CF/CM/CU30C | 1.02 | 1.04 | 0.96 |
| YP9C100C20MP12 | CF/CM/CU36C | 1.02 | 1.05 | 0.98 |
| YP9C120D20MP12 | CF/CM/CU36D | 1.02 | 1.07 | 0.92 |
| YP9C120D20MP12 | CF/CM/CU42D | 1.02 | 1.07 | 0.94 |
| YPLC060A12MP12 | CF/CM/CU30A | 1.02 | 1.02 | 1.02 |
| YPLC060A12MP12 | CF/CM36A    | 1.01 | 0.96 | 0.99 |
| YPLC080B12MP12 | CF/CM/CU36B | 1.02 | 1.01 | 1.00 |
| YPLC080B12MP12 | CF42B       | 1.00 | 0.95 | 0.96 |
| YPLC080C16MP12 | CF/CM/CU30C | 1.02 | 1.00 | 0.96 |
| YPLC080C16MP12 | CF/CM/CU36C | 1.02 | 1.07 | 0.96 |
| YPLC080C16MP12 | CF/CM/CU42C | 1.02 | 0.99 | 0.96 |
| YPLC100C16MP12 | CF/CM/CU30C | 1.02 | 1.00 | 0.96 |
| YPLC100C16MP12 | CF/CM/CU36C | 1.02 | 1.07 | 0.96 |
| YPLC100C16MP12 | CF/CM/CU42C | 1.02 | 0.99 | 0.96 |
| YPLC100C20MP12 | CF/CM/CU36C | 1.02 | 1.06 | 0.96 |
| YPLC100C20MP12 | CF/CM/CU42C | 1.02 | 1.06 | 0.96 |
| YPLC120C20MP12 | CF/CM/CU36C | 1.02 | 1.06 | 0.96 |
| YPLC120C20MP12 | CF/CM/CU42C | 1.02 | 1.06 | 0.96 |

## PERFORMANCE DATA - 3 TON

| CONDENSER-ONLY DATA (OUTDOOR UNIT) |                                   |          |                             |      |       |      |       |      |       |      |       |      |        |      |        |      |        |      |
|------------------------------------|-----------------------------------|----------|-----------------------------|------|-------|------|-------|------|-------|------|-------|------|--------|------|--------|------|--------|------|
| MODEL                              | SATURATED SUCTION<br>@ COMPRESSOR |          | Outdoor Ambient Temperature |      |       |      |       |      |       |      |       |      |        |      |        |      |        |      |
|                                    |                                   |          | 55 °F                       |      | 65 °F |      | 75 °F |      | 85 °F |      | 95 °F |      | 105 °F |      | 115 °F |      | 125 °F |      |
|                                    | T (°F)                            | P (PSIG) | MBH                         | KW   | MBH   | KW   | MBH   | KW   | MBH   | KW   | MBH   | KW   | MBH    | KW   | MBH    | KW   | MBH    | KW   |
| YCE36B21H                          | 35                                | 107      | 35.5                        | 1.73 | 32.4  | 1.90 | 29.5  | 2.07 | 26.6  | 2.24 | 23.7  | 2.38 | 20.9   | 2.50 | 17.9   | 2.58 | 15.0   | 2.61 |
|                                    | 40                                | 118      | 39.7                        | 1.71 | 36.4  | 1.90 | 33.2  | 2.09 | 30.1  | 2.28 | 27.0  | 2.44 | 23.9   | 2.59 | 20.8   | 2.71 | 17.6   | 2.77 |
|                                    | 45                                | 130      | 44.2                        | 1.68 | 40.6  | 1.88 | 37.2  | 2.09 | 33.8  | 2.29 | 30.5  | 2.48 | 27.2   | 2.67 | 23.8   | 2.82 | 20.5   | 2.91 |
|                                    | 50                                | 142      | 48.8                        | 1.63 | 45.0  | 1.85 | 41.4  | 2.07 | 37.8  | 2.30 | 34.2  | 2.51 | 30.7   | 2.72 | 27.1   | 2.90 | 23.5   | 3.03 |
|                                    | 55                                | 156      | 53.6                        | 1.58 | 49.7  | 1.80 | 45.7  | 2.04 | 42.0  | 2.28 | 38.1  | 2.51 | 34.3   | 2.75 | 30.5   | 2.97 | 26.6   | 3.13 |

## Notes:

- For Outdoor Unit (Condenser) performance only. Data does not include the effects of air handler power or heat.
- Performance based on 15°F subcooling and 15°F superheat at the Outdoor Unit base valves.
  - Increase capacity by 1% for each 2°F increase in subcooling.
  - Decrease capacity by 1% for each 2°F decrease in subcooling.
- Maximum recommended condensing temperature is 140°F.

| COOLING PERFORMANCE DATA                   |        |            |      |      |      |      |      |      |      |      |      |      |      |      |      |      |    |
|--------------------------------------------|--------|------------|------|------|------|------|------|------|------|------|------|------|------|------|------|------|----|
| OUTDOOR UNIT MODEL NO.                     |        | YCE36B21H  |      |      |      |      |      |      |      |      |      |      |      |      |      |      |    |
| INDOOR COIL MODEL NO.                      |        | CF36BXA1   |      |      |      |      |      |      |      |      |      |      |      |      |      |      |    |
| AIR TEMP.<br>ENTERING<br>OUTDOOR UNIT (°F) | ID CFM | 1000       |      |      |      |      | 1200 |      |      |      |      | 1400 |      |      |      |      |    |
|                                            |        | ID DB (°F) | 80   | 80   | 75   | 80   | 80   | 80   | 80   | 75   | 80   | 80   | 80   | 80   | 75   | 80   | 80 |
|                                            |        | ID WB (°F) | 57   | 62   | 62   | 67   | 72   | 57   | 62   | 62   | 67   | 72   | 57   | 62   | 62   | 67   | 72 |
| 55                                         | T.C.   | 36.1       | 40.5 | 40.6 | 43.6 | 46.2 | 38.4 | 41.7 | 41.9 | 47.0 | 46.5 | 40.6 | 43.0 | 43.3 | 50.4 | 46.9 |    |
|                                            | S.C.   | 36.0       | 32.5 | 27.5 | 27.0 | 21.2 | 38.2 | 35.2 | 29.9 | 28.6 | 21.9 | 40.4 | 38.0 | 32.2 | 30.2 | 22.6 |    |
|                                            | KW     | 2.04       | 2.01 | 2.02 | 1.99 | 1.98 | 2.09 | 2.08 | 2.08 | 2.06 | 2.06 | 2.14 | 2.14 | 2.14 | 2.13 | 2.13 |    |
| 65                                         | T.C.   | 34.0       | 37.6 | 38.1 | 41.7 | 45.1 | 36.2 | 38.9 | 39.4 | 43.9 | 45.7 | 38.5 | 40.1 | 40.7 | 46.2 | 46.3 |    |
|                                            | S.C.   | 33.9       | 30.5 | 26.2 | 26.1 | 20.8 | 36.1 | 33.4 | 28.4 | 28.0 | 21.8 | 38.3 | 36.3 | 30.7 | 30.0 | 22.8 |    |
|                                            | KW     | 2.22       | 2.22 | 2.23 | 2.21 | 2.20 | 2.29 | 2.29 | 2.29 | 2.28 | 2.28 | 2.35 | 2.36 | 2.36 | 2.35 | 2.35 |    |
| 75                                         | T.C.   | 31.9       | 34.7 | 35.7 | 39.7 | 44.1 | 34.1 | 36.0 | 36.9 | 40.8 | 44.8 | 36.3 | 37.3 | 38.0 | 41.9 | 45.6 |    |
|                                            | S.C.   | 31.7       | 28.6 | 24.8 | 25.1 | 20.3 | 34.0 | 31.6 | 27.0 | 27.4 | 21.6 | 36.2 | 34.7 | 29.2 | 29.8 | 22.9 |    |
|                                            | KW     | 2.41       | 2.42 | 2.43 | 2.43 | 2.42 | 2.48 | 2.50 | 2.50 | 2.50 | 2.49 | 2.56 | 2.57 | 2.57 | 2.57 | 2.56 |    |
| 85                                         | T.C.   | 29.6       | 32.1 | 32.8 | 36.6 | 41.0 | 31.8 | 33.3 | 34.0 | 37.7 | 41.9 | 33.9 | 34.5 | 35.2 | 38.9 | 42.8 |    |
|                                            | S.C.   | 29.5       | 27.3 | 23.4 | 23.7 | 19.2 | 31.6 | 30.0 | 25.6 | 26.0 | 20.6 | 33.7 | 32.6 | 27.8 | 28.3 | 22.0 |    |
|                                            | KW     | 2.59       | 2.62 | 2.62 | 2.65 | 2.66 | 2.68 | 2.70 | 2.70 | 2.72 | 2.74 | 2.77 | 2.78 | 2.78 | 2.80 | 2.81 |    |
| 95                                         | T.C.   | 27.4       | 29.5 | 29.8 | 33.4 | 38.0 | 29.4 | 30.6 | 31.1 | 34.6 | 39.0 | 31.5 | 31.7 | 32.4 | 35.8 | 39.9 |    |
|                                            | S.C.   | 27.2       | 26.1 | 22.1 | 22.3 | 18.1 | 29.3 | 28.3 | 24.2 | 24.6 | 19.6 | 31.3 | 30.6 | 26.4 | 26.9 | 21.0 |    |
|                                            | KW     | 2.76       | 2.81 | 2.81 | 2.86 | 2.90 | 2.87 | 2.90 | 2.90 | 2.94 | 2.98 | 2.97 | 2.99 | 2.99 | 3.03 | 3.06 |    |
| 105                                        | T.C.   | 25.7       | 27.0 | 27.2 | 30.4 | 34.6 | 27.5 | 28.1 | 28.2 | 31.4 | 35.5 | 29.3 | 29.2 | 29.2 | 32.4 | 36.3 |    |
|                                            | S.C.   | 25.6       | 24.7 | 21.2 | 21.3 | 17.0 | 27.4 | 26.6 | 23.2 | 23.5 | 18.4 | 29.1 | 28.4 | 25.2 | 25.7 | 19.8 |    |
|                                            | KW     | 2.98       | 3.01 | 3.00 | 3.06 | 3.12 | 3.08 | 3.10 | 3.09 | 3.15 | 3.21 | 3.18 | 3.19 | 3.17 | 3.23 | 3.29 |    |
| 115                                        | T.C.   | 24.2       | 24.5 | 24.8 | 27.6 | 31.3 | 25.7 | 25.7 | 25.5 | 28.4 | 32.0 | 27.2 | 26.8 | 26.1 | 29.2 | 32.8 |    |
|                                            | S.C.   | 24.1       | 23.3 | 20.3 | 20.4 | 15.9 | 25.5 | 24.8 | 22.2 | 22.5 | 17.2 | 27.0 | 26.4 | 24.1 | 24.5 | 18.6 |    |
|                                            | KW     | 3.19       | 3.20 | 3.19 | 3.25 | 3.34 | 3.28 | 3.29 | 3.27 | 3.34 | 3.43 | 3.38 | 3.39 | 3.36 | 3.43 | 3.52 |    |
| 125                                        | T.C.   | 22.6       | 22.1 | 22.3 | 24.7 | 28.0 | 23.8 | 23.2 | 22.7 | 25.3 | 28.6 | 25.0 | 24.4 | 23.0 | 25.9 | 29.3 |    |
|                                            | S.C.   | 22.5       | 22.0 | 19.4 | 19.4 | 14.8 | 23.7 | 23.1 | 21.2 | 21.4 | 16.1 | 24.9 | 24.3 | 22.9 | 23.3 | 17.3 |    |
|                                            | KW     | 3.40       | 3.39 | 3.37 | 3.44 | 3.56 | 3.49 | 3.48 | 3.45 | 3.54 | 3.65 | 3.58 | 3.58 | 3.54 | 3.63 | 3.74 |    |

ALL CAPACITIES INCLUDE INDOOR FAN HEAT. KW VALUES ARE FOR THE SYSTEM (OUTDOOR + INDOOR).

Green shaded cells are ACCA (TVA) conditions.

Blue shaded cells are AHRI conditions.

## Multipliers for determining the performance with other indoor sections.

**NOTE:** For dry bulb temperatures different than those listed (between 73-87 °F), sensible capacity increases by 1060 BTUH per 1000 CFM per degree above the listed temperature and decreases by 1060 BTUH per 1000 CFM per degree below the listed temperature.

**COIL MULTIPLIERS- 3 TON**

| Air Handler | Coil        | T.C. | S.C. | KW   |
|-------------|-------------|------|------|------|
| -           | CF/CM/CU36B | 1.00 | 1.00 | 1.00 |
| -           | CF/CM/CU36C | 1.01 | 1.01 | 1.01 |
| -           | CF/CM/CU36D | 1.01 | 1.01 | 1.01 |
| -           | CF/CM/CU42C | 1.01 | 1.02 | 1.01 |
| -           | CF/CM/CU42D | 1.01 | 1.02 | 1.01 |
| -           | CF/CM/CU48C | 1.02 | 1.01 | 1.02 |
| -           | CF/CM/CU48D | 1.02 | 1.01 | 1.02 |
| -           | CF42B       | 1.01 | 1.02 | 1.01 |
| AE36BX21    | -           | 0.99 | 0.93 | 0.95 |
| AE36CX21    | -           | 1.03 | 1.04 | 0.95 |
| AE42CX21    | -           | 1.03 | 1.04 | 0.97 |
| AE48CX21    | -           | 1.04 | 1.06 | 0.96 |
| AE48DX21    | -           | 1.04 | 1.05 | 0.96 |
| AP36BX21    | -           | 0.98 | 0.92 | 0.98 |
| AP36CX21    | -           | 1.01 | 1.02 | 1.01 |
| AP42CX21    | -           | 1.01 | 1.02 | 1.03 |
| AP48CX21    | -           | 1.02 | 1.01 | 1.02 |
| AP48DX21    | -           | 1.03 | 1.07 | 1.03 |
| AVC36BX21   | -           | 1.00 | 0.95 | 0.96 |
| AVC36CX21   | -           | 1.02 | 1.02 | 0.94 |
| AVC42CX21   | -           | 1.03 | 1.02 | 0.95 |
| AVC48CX21   | -           | 1.02 | 0.98 | 0.94 |
| AVC48DX21   | -           | 1.04 | 1.10 | 0.96 |
| ME12BN21    | CF/CM36B    | 1.00 | 0.95 | 0.96 |
| ME12BN21    | CF42B       | 1.00 | 0.93 | 0.96 |
| ME14DN21    | CF/CM36D    | 1.04 | 1.06 | 0.98 |
| ME14DN21    | CF/CM42D    | 1.04 | 1.06 | 0.96 |
| ME14DN21    | CF/CM48D    | 1.04 | 1.04 | 0.96 |
| ME16CN21    | CF/CM36C    | 1.03 | 1.05 | 0.95 |
| ME16CN21    | CF/CM42C    | 1.03 | 1.06 | 0.95 |
| ME16CN21    | CF/CM48C    | 1.04 | 1.05 | 0.96 |
| ME20DN21    | CF/CM36D    | 1.03 | 1.08 | 1.01 |
| ME20DN21    | CF/CM42D    | 1.03 | 1.09 | 1.01 |
| ME20DN21    | CF/CM48D    | 1.04 | 1.08 | 1.00 |
| MVC08BN21   | CF42B       | 0.99 | 0.93 | 0.95 |
| MVC12BN21   | CF/CM36B    | 0.99 | 0.94 | 0.95 |
| MVC12BN21   | CF42B       | 1.00 | 0.93 | 0.96 |
| MVC14DN21   | CF/CM36D    | 0.99 | 0.93 | 0.92 |
| MVC14DN21   | CF/CM42D    | 1.04 | 1.08 | 0.96 |
| MVC14DN21   | CF/CM48D    | 1.03 | 1.02 | 0.95 |
| MVC16CN21   | CF/CM36C    | 1.01 | 0.98 | 0.93 |
| MVC16CN21   | CF/CM42C    | 1.04 | 1.07 | 0.96 |
| MVC16CN21   | CF/CM48C    | 1.04 | 1.04 | 0.96 |
| MVC20DN21   | CF/CM36D    | 1.02 | 1.00 | 0.94 |
| MVC20DN21   | CF/CM42D    | 1.03 | 1.04 | 0.97 |
| MVC20DN21   | CF/CM48D    | 1.04 | 1.04 | 0.96 |

**FURNACE MULTIPLIERS- 3 TON**

| Furnaces       | Coil        | T.C. | S.C. | KW   |
|----------------|-------------|------|------|------|
| TM8V060A12MP11 | CF/CM36A    | 0.98 | 0.91 | 0.98 |
| TM8V080B12MP11 | CF/CM/CU36B | 0.99 | 0.93 | 0.97 |
| TM8V080B12MP11 | CF42B       | 0.99 | 0.93 | 0.95 |

**FURNACE MULTIPLIERS- 3 TON (Continued)**

| Furnaces       | Coil        | T.C. | S.C. | KW   |
|----------------|-------------|------|------|------|
| TM8V080C16MP11 | CF/CM/CU36C | 1.01 | 0.98 | 0.95 |
| TM8V080C16MP11 | CF/CM/CU42C | 1.03 | 1.08 | 0.99 |
| TM8V080C16MP11 | CF/CM/CU48C | 1.01 | 0.97 | 0.95 |
| TM8V080C16MP11 | CF/CM/CU48D | 1.01 | 0.97 | 0.95 |
| TM8V100C16MP11 | CF/CM/CU36C | 1.01 | 0.98 | 0.95 |
| TM8V100C16MP11 | CF/CM/CU42C | 1.03 | 1.08 | 0.99 |
| TM8V100C16MP11 | CF/CM/CU48C | 1.01 | 0.97 | 0.95 |
| TM8V100C16MP11 | CF/CM/CU48D | 1.01 | 0.97 | 0.95 |
| TM8V100C20MP11 | CF/CM/CU36C | 1.01 | 0.98 | 0.96 |
| TM8V100C20MP11 | CF/CM/CU42C | 1.02 | 0.99 | 0.96 |
| TM8V100C20MP11 | CF/CM/CU48C | 1.03 | 1.06 | 0.97 |
| TM8V100C20MP11 | CF/CM/CU48D | 1.03 | 1.02 | 0.94 |
| TM8V120C20MP11 | CF/CM/CU36C | 1.01 | 0.98 | 0.96 |
| TM8V120C20MP11 | CF/CM/CU42C | 1.02 | 0.99 | 0.96 |
| TM8V120C20MP11 | CF/CM/CU48C | 1.03 | 1.06 | 0.97 |
| TM8V120C20MP11 | CF/CM/CU48D | 1.03 | 1.02 | 0.94 |
| TM8X060A12MP11 | CF/CM36A    | 0.98 | 0.92 | 0.94 |
| TM8X080B12MP11 | CF/CM/CU36B | 0.99 | 0.92 | 0.95 |
| TM8X080B12MP11 | CF42B       | 1.00 | 0.93 | 0.96 |
| TM8X080C16MP11 | CF/CM/CU36C | 1.01 | 0.96 | 0.95 |
| TM8X080C16MP11 | CF/CM/CU36D | 1.01 | 0.98 | 0.95 |
| TM8X080C16MP11 | CF/CM/CU42C | 1.03 | 1.05 | 0.97 |
| TM8X080C16MP11 | CF/CM/CU42D | 1.02 | 0.98 | 0.94 |
| TM8X080C16MP11 | CF/CM/CU48C | 1.04 | 1.05 | 0.98 |
| TM8X080C16MP11 | CF/CM/CU48D | 1.02 | 0.98 | 0.94 |
| TM8X100C16MP11 | CF/CM/CU36C | 1.01 | 0.96 | 0.95 |
| TM8X100C16MP11 | CF/CM/CU36D | 1.01 | 0.98 | 0.95 |
| TM8X100C16MP11 | CF/CM/CU42C | 1.03 | 1.05 | 0.97 |
| TM8X100C16MP11 | CF/CM/CU42D | 1.02 | 0.98 | 0.94 |
| TM8X100C16MP11 | CF/CM/CU48C | 1.04 | 1.05 | 0.98 |
| TM8X100C16MP11 | CF/CM/CU48D | 1.02 | 0.98 | 0.94 |
| TM8X100C20MP11 | CF/CM/CU36C | 1.03 | 1.07 | 0.97 |
| TM8X100C20MP11 | CF/CM/CU36D | 1.04 | 1.07 | 0.98 |
| TM8X100C20MP11 | CF/CM/CU42C | 1.02 | 0.98 | 0.96 |
| TM8X100C20MP11 | CF/CM/CU42D | 1.02 | 1.00 | 0.94 |
| TM8X100C20MP11 | CF/CM/CU48C | 1.04 | 1.08 | 0.96 |
| TM8X100C20MP11 | CF/CM/CU48D | 1.03 | 1.03 | 0.97 |
| TM8X120C20MP11 | CF/CM/CU36C | 1.03 | 1.07 | 0.97 |
| TM8X120C20MP11 | CF/CM/CU36D | 1.04 | 1.07 | 0.98 |
| TM8X120C20MP11 | CF/CM/CU42C | 1.02 | 0.98 | 0.96 |
| TM8X120C20MP11 | CF/CM/CU42D | 1.02 | 1.00 | 0.94 |
| TM8X120C20MP11 | CF/CM/CU48C | 1.04 | 1.08 | 0.96 |
| TM8X120C20MP11 | CF/CM/CU48D | 1.03 | 1.03 | 0.97 |
| TM8Y060A12MP11 | CF/CM36A    | 0.98 | 0.92 | 0.94 |
| TM8Y080B12MP11 | CF/CM/CU36B | 0.99 | 0.92 | 0.95 |
| TM8Y080B12MP11 | CF42B       | 1.00 | 0.93 | 0.96 |
| TM8Y080C16MP11 | CF/CM/CU36C | 1.01 | 0.96 | 0.95 |
| TM8Y080C16MP11 | CF/CM/CU36D | 1.01 | 0.98 | 0.95 |
| TM8Y080C16MP11 | CF/CM/CU42C | 1.03 | 1.05 | 0.97 |
| TM8Y080C16MP11 | CF/CM/CU42D | 1.02 | 0.98 | 0.94 |
| TM8Y080C16MP11 | CF/CM/CU48C | 1.04 | 1.05 | 0.98 |
| TM8Y080C16MP11 | CF/CM/CU48D | 1.02 | 0.98 | 0.94 |



**FURNACE MULTIPLIERS- 3 TON (Continued)**

| Furnaces       | Coil        | T.C. | S.C. | KW   |
|----------------|-------------|------|------|------|
| TM8Y100C16MP11 | CF/CM/CU36C | 1.01 | 0.96 | 0.95 |
| TM8Y100C16MP11 | CF/CM/CU36D | 1.01 | 0.98 | 0.95 |
| TM8Y100C16MP11 | CF/CM/CU42C | 1.03 | 1.05 | 0.97 |
| TM8Y100C16MP11 | CF/CM/CU42D | 1.02 | 0.98 | 0.94 |
| TM8Y100C16MP11 | CF/CM/CU48C | 1.04 | 1.05 | 0.98 |
| TM8Y100C16MP11 | CF/CM/CU48D | 1.02 | 0.98 | 0.94 |
| TM8Y100C20MP11 | CF/CM/CU36C | 1.03 | 1.07 | 0.97 |
| TM8Y100C20MP11 | CF/CM/CU36D | 1.04 | 1.07 | 0.98 |
| TM8Y100C20MP11 | CF/CM/CU42C | 1.02 | 0.98 | 0.96 |
| TM8Y100C20MP11 | CF/CM/CU42D | 1.02 | 1.00 | 0.94 |
| TM8Y100C20MP11 | CF/CM/CU48C | 1.04 | 1.08 | 0.96 |
| TM8Y100C20MP11 | CF/CM/CU48D | 1.03 | 1.03 | 0.97 |
| TM8Y120C20MP11 | CF/CM/CU36C | 1.03 | 1.07 | 0.97 |
| TM8Y120C20MP11 | CF/CM/CU36D | 1.04 | 1.07 | 0.98 |
| TM8Y120C20MP11 | CF/CM/CU42C | 1.02 | 0.98 | 0.96 |
| TM8Y120C20MP11 | CF/CM/CU42D | 1.02 | 1.00 | 0.94 |
| TM8Y120C20MP11 | CF/CM/CU48C | 1.04 | 1.08 | 0.96 |
| TM8Y120C20MP11 | CF/CM/CU48D | 1.03 | 1.03 | 0.97 |
| TM9E060B12MP11 | CF/CM/CU36B | 0.98 | 0.92 | 0.94 |
| TM9E060B12MP11 | CF42B       | 0.99 | 0.93 | 0.95 |
| TM9E080B12MP11 | CF/CM/CU36B | 0.98 | 0.92 | 0.94 |
| TM9E080B12MP11 | CF42B       | 0.99 | 0.93 | 0.95 |
| TM9E080C16MP11 | CF/CM/CU36C | 1.01 | 0.97 | 0.96 |
| TM9E080C16MP11 | CF/CM/CU36D | 1.01 | 0.97 | 0.95 |
| TM9E080C16MP11 | CF/CM/CU42C | 1.01 | 0.98 | 0.93 |
| TM9E080C16MP11 | CF/CM/CU42D | 1.01 | 0.98 | 0.95 |
| TM9E080C16MP11 | CF/CM/CU48C | 1.01 | 0.98 | 0.95 |
| TM9E080C16MP11 | CF/CM/CU48D | 1.01 | 0.98 | 0.95 |
| TM9E100C16MP11 | CF/CM/CU36C | 1.01 | 0.97 | 0.96 |
| TM9E100C16MP11 | CF/CM/CU36D | 1.01 | 0.97 | 0.95 |
| TM9E100C16MP11 | CF/CM/CU42C | 1.01 | 0.98 | 0.93 |
| TM9E100C16MP11 | CF/CM/CU42D | 1.01 | 0.98 | 0.95 |
| TM9E100C16MP11 | CF/CM/CU48C | 1.01 | 0.98 | 0.95 |
| TM9E100C16MP11 | CF/CM/CU48D | 1.01 | 0.98 | 0.95 |
| TM9E100C20MP11 | CF/CM/CU36C | 0.99 | 0.92 | 0.93 |
| TM9E100C20MP11 | CF/CM/CU36D | 0.99 | 0.92 | 0.92 |
| TM9E100C20MP11 | CF/CM/CU42C | 1.03 | 1.06 | 0.97 |
| TM9E100C20MP11 | CF/CM/CU42D | 1.01 | 0.93 | 0.93 |
| TM9E100C20MP11 | CF/CM/CU48C | 1.01 | 0.93 | 0.93 |
| TM9E100C20MP11 | CF/CM/CU48D | 1.01 | 0.94 | 0.93 |
| TM9E120D20MP11 | CF/CM/CU36D | 1.03 | 1.07 | 0.97 |
| TM9E120D20MP11 | CF/CM/CU42D | 1.04 | 1.07 | 0.98 |
| TM9E120D20MP11 | CF/CM/CU48D | 1.04 | 1.07 | 0.96 |
| TM9V060B12MP11 | CF/CM/CU36B | 0.99 | 0.95 | 0.95 |
| TM9V060B12MP11 | CF42B       | 1.02 | 1.02 | 0.98 |
| TM9V080B12MP11 | CF/CM/CU36B | 0.99 | 0.95 | 0.95 |
| TM9V080B12MP11 | CF42B       | 1.02 | 1.02 | 0.98 |
| TM9V080C16MP11 | CF/CM/CU36C | 0.99 | 0.92 | 0.93 |
| TM9V080C16MP11 | CF/CM/CU42C | 1.00 | 0.93 | 0.94 |
| TM9V080C16MP11 | CF/CM/CU48C | 1.03 | 1.07 | 0.99 |
| TM9V080C16MP11 | CF/CM/CU48D | 1.03 | 1.03 | 0.97 |
| TM9V100C16MP11 | CF/CM/CU36C | 0.99 | 0.92 | 0.93 |
| TM9V100C16MP11 | CF/CM/CU42C | 1.00 | 0.93 | 0.94 |

**FURNACE MULTIPLIERS- 3 TON (Continued)**

| Furnaces       | Coil        | T.C. | S.C. | KW   |
|----------------|-------------|------|------|------|
| TM9V100C16MP11 | CF/CM/CU48C | 1.03 | 1.07 | 0.99 |
| TM9V100C16MP11 | CF/CM/CU48D | 1.03 | 1.03 | 0.97 |
| TM9V100C20MP11 | CF/CM/CU36C | 1.01 | 0.97 | 0.96 |
| TM9V100C20MP11 | CF/CM/CU42C | 1.03 | 1.07 | 0.99 |
| TM9V100C20MP11 | CF/CM/CU48C | 1.03 | 1.02 | 0.99 |
| TM9V100C20MP11 | CF/CM/CU48D | 1.03 | 1.06 | 0.99 |
| TM9V120D20MP11 | CF/CM/CU36D | 1.02 | 1.00 | 0.94 |
| TM9V120D20MP11 | CF/CM/CU42D | 1.02 | 1.00 | 0.96 |
| TM9V120D20MP11 | CF/CM/CU48D | 1.04 | 1.06 | 0.98 |
| TM9Y060B12MP11 | CF/CM/CU36B | 0.98 | 0.92 | 0.94 |
| TM9Y060B12MP11 | CF42B       | 0.99 | 0.93 | 0.95 |
| TM9Y080B12MP11 | CF/CM/CU36B | 0.98 | 0.92 | 0.94 |
| TM9Y080B12MP11 | CF42B       | 0.99 | 0.93 | 0.95 |
| TM9Y080C16MP11 | CF/CM/CU36C | 1.01 | 0.97 | 0.96 |
| TM9Y080C16MP11 | CF/CM/CU36D | 1.01 | 0.97 | 0.95 |
| TM9Y080C16MP11 | CF/CM/CU42C | 1.01 | 0.98 | 0.93 |
| TM9Y080C16MP11 | CF/CM/CU42D | 1.01 | 0.98 | 0.95 |
| TM9Y080C16MP11 | CF/CM/CU48C | 1.01 | 0.98 | 0.95 |
| TM9Y080C16MP11 | CF/CM/CU48D | 1.01 | 0.98 | 0.95 |
| TM9Y100C16MP11 | CF/CM/CU36C | 1.01 | 0.97 | 0.96 |
| TM9Y100C16MP11 | CF/CM/CU36D | 1.01 | 0.97 | 0.95 |
| TM9Y100C16MP11 | CF/CM/CU42C | 1.01 | 0.98 | 0.93 |
| TM9Y100C16MP11 | CF/CM/CU42D | 1.01 | 0.98 | 0.95 |
| TM9Y100C16MP11 | CF/CM/CU48C | 1.01 | 0.98 | 0.95 |
| TM9Y100C16MP11 | CF/CM/CU48D | 1.01 | 0.98 | 0.95 |
| TM9Y100C20MP11 | CF/CM/CU36C | 0.99 | 0.92 | 0.93 |
| TM9Y100C20MP11 | CF/CM/CU36D | 0.99 | 0.92 | 0.92 |
| TM9Y100C20MP11 | CF/CM/CU42C | 1.03 | 1.06 | 0.97 |
| TM9Y100C20MP11 | CF/CM/CU42D | 1.01 | 0.93 | 0.93 |
| TM9Y100C20MP11 | CF/CM/CU48C | 1.01 | 0.93 | 0.93 |
| TM9Y100C20MP11 | CF/CM/CU48D | 1.01 | 0.94 | 0.93 |
| TM9Y120D20MP11 | CF/CM/CU36D | 1.03 | 1.07 | 0.97 |
| TM9Y120D20MP11 | CF/CM/CU42D | 1.04 | 1.07 | 0.98 |
| TM9Y120D20MP11 | CF/CM/CU48D | 1.04 | 1.07 | 0.96 |
| TMLV060A12MP11 | CF/CM36A    | 0.98 | 0.91 | 0.98 |
| TMLV080B12MP11 | CF/CM/CU36B | 0.99 | 0.93 | 0.97 |
| TMLV080B12MP11 | CF42B       | 0.99 | 0.93 | 0.95 |
| TMLV080C16MP11 | CF/CM/CU36C | 1.01 | 0.98 | 0.95 |
| TMLV080C16MP11 | CF/CM/CU42C | 1.03 | 1.08 | 0.99 |
| TMLV080C16MP11 | CF/CM/CU48C | 1.01 | 0.97 | 0.95 |
| TMLV080C16MP11 | CF/CM/CU48D | 1.01 | 0.97 | 0.95 |
| TMLV100C16MP11 | CF/CM/CU36C | 1.01 | 0.98 | 0.95 |
| TMLV100C16MP11 | CF/CM/CU42C | 1.03 | 1.08 | 0.99 |
| TMLV100C16MP11 | CF/CM/CU48C | 1.01 | 0.97 | 0.95 |
| TMLV100C16MP11 | CF/CM/CU48D | 1.01 | 0.97 | 0.95 |
| TMLV100C20MP11 | CF/CM/CU36C | 1.01 | 0.98 | 0.96 |
| TMLV100C20MP11 | CF/CM/CU42C | 1.02 | 0.99 | 0.96 |
| TMLV100C20MP11 | CF/CM/CU48C | 1.03 | 1.06 | 0.97 |
| TMLV100C20MP11 | CF/CM/CU48D | 1.03 | 1.02 | 0.94 |
| TMLV120C20MP11 | CF/CM/CU36C | 1.01 | 0.98 | 0.96 |
| TMLV120C20MP11 | CF/CM/CU42C | 1.02 | 0.99 | 0.96 |
| TMLV120C20MP11 | CF/CM/CU48C | 1.03 | 1.06 | 0.97 |
| TMLV120C20MP11 | CF/CM/CU48D | 1.03 | 1.02 | 0.94 |

## FURNACE MULTIPLIERS- 3 TON (Continued)

| Furnaces       | Coil        | T.C. | S.C. | KW   |
|----------------|-------------|------|------|------|
| TMLX060A12MP11 | CF/CM36A    | 0.98 | 0.92 | 0.94 |
| TMLX080B12MP11 | CF/CM/CU36B | 0.99 | 0.92 | 0.95 |
| TMLX080B12MP11 | CF42B       | 1.00 | 0.93 | 0.96 |
| TMLX080C16MP11 | CF/CM/CU36C | 1.01 | 0.96 | 0.95 |
| TMLX080C16MP11 | CF/CM/CU36D | 1.01 | 0.98 | 0.95 |
| TMLX080C16MP11 | CF/CM/CU42C | 1.03 | 1.05 | 0.97 |
| TMLX080C16MP11 | CF/CM/CU42D | 1.02 | 0.98 | 0.94 |
| TMLX080C16MP11 | CF/CM/CU48C | 1.04 | 1.05 | 0.98 |
| TMLX080C16MP11 | CF/CM/CU48D | 1.02 | 0.98 | 0.94 |
| TMLX100C16MP11 | CF/CM/CU36C | 1.01 | 0.96 | 0.95 |
| TMLX100C16MP11 | CF/CM/CU36D | 1.01 | 0.98 | 0.95 |
| TMLX100C16MP11 | CF/CM/CU42C | 1.03 | 1.05 | 0.97 |
| TMLX100C16MP11 | CF/CM/CU42D | 1.02 | 0.98 | 0.94 |
| TMLX100C16MP11 | CF/CM/CU48C | 1.04 | 1.05 | 0.98 |
| TMLX100C16MP11 | CF/CM/CU48D | 1.02 | 0.98 | 0.94 |
| TMLX100C20MP11 | CF/CM/CU36C | 1.03 | 1.07 | 0.97 |
| TMLX100C20MP11 | CF/CM/CU36D | 1.04 | 1.07 | 0.98 |
| TMLX100C20MP11 | CF/CM/CU42C | 1.02 | 0.98 | 0.96 |
| TMLX100C20MP11 | CF/CM/CU42D | 1.02 | 1.00 | 0.94 |
| TMLX100C20MP11 | CF/CM/CU48C | 1.04 | 1.08 | 0.96 |
| TMLX100C20MP11 | CF/CM/CU48D | 1.03 | 1.03 | 0.97 |
| TMLX120C20MP11 | CF/CM/CU36C | 1.03 | 1.07 | 0.97 |
| TMLX120C20MP11 | CF/CM/CU36D | 1.04 | 1.07 | 0.98 |
| TMLX120C20MP11 | CF/CM/CU42C | 1.02 | 0.98 | 0.96 |
| TMLX120C20MP11 | CF/CM/CU42D | 1.02 | 1.00 | 0.94 |
| TMLX120C20MP11 | CF/CM/CU48C | 1.04 | 1.08 | 0.96 |
| TMLX120C20MP11 | CF/CM/CU48D | 1.03 | 1.03 | 0.97 |
| TP9C060B12MP12 | CF/CM/CU36B | 0.99 | 0.95 | 0.95 |
| TP9C060B12MP12 | CF42B       | 1.02 | 1.02 | 0.98 |
| TP9C080B12MP12 | CF/CM/CU36B | 0.99 | 0.95 | 0.95 |
| TP9C080B12MP12 | CF42B       | 1.02 | 1.02 | 0.98 |
| TP9C080C16MP12 | CF/CM/CU36C | 0.99 | 0.92 | 0.93 |
| TP9C080C16MP12 | CF/CM/CU42C | 1.00 | 0.93 | 0.94 |
| TP9C080C16MP12 | CF/CM/CU48C | 1.03 | 1.07 | 0.99 |
| TP9C080C16MP12 | CF/CM/CU48D | 1.03 | 1.03 | 0.97 |
| TP9C100C16MP12 | CF/CM/CU36C | 0.99 | 0.92 | 0.93 |
| TP9C100C16MP12 | CF/CM/CU42C | 1.00 | 0.93 | 0.94 |
| TP9C100C16MP12 | CF/CM/CU48C | 1.03 | 1.07 | 0.99 |
| TP9C100C16MP12 | CF/CM/CU48D | 1.03 | 1.03 | 0.97 |
| TP9C100C20MP12 | CF/CM/CU36C | 1.01 | 0.97 | 0.96 |
| TP9C100C20MP12 | CF/CM/CU42C | 1.03 | 1.07 | 0.99 |
| TP9C100C20MP12 | CF/CM/CU48C | 1.03 | 1.02 | 0.99 |
| TP9C100C20MP12 | CF/CM/CU48D | 1.03 | 1.06 | 0.99 |
| TP9C120D20MP12 | CF/CM/CU36D | 1.02 | 1.00 | 0.94 |
| TP9C120D20MP12 | CF/CM/CU42D | 1.02 | 1.00 | 0.96 |
| TP9C120D20MP12 | CF/CM/CU48D | 1.04 | 1.06 | 0.98 |
| TPLC060A12MP12 | CF/CM36A    | 0.98 | 0.91 | 0.98 |
| TPLC080B12MP12 | CF/CM/CU36B | 0.99 | 0.93 | 0.97 |
| TPLC080B12MP12 | CF42B       | 0.99 | 0.93 | 0.95 |
| TPLC080C16MP12 | CF/CM/CU36C | 1.01 | 0.98 | 0.95 |
| TPLC080C16MP12 | CF/CM/CU42C | 1.03 | 1.08 | 0.99 |
| TPLC080C16MP12 | CF/CM/CU48C | 1.01 | 0.97 | 0.95 |
| TPLC080C16MP12 | CF/CM/CU48D | 1.01 | 0.97 | 0.95 |
| TPLC100C16MP12 | CF/CM/CU36C | 1.01 | 0.98 | 0.95 |
| TPLC100C16MP12 | CF/CM/CU42C | 1.03 | 1.08 | 0.99 |
| TPLC100C16MP12 | CF/CM/CU48C | 1.01 | 0.97 | 0.95 |
| TPLC100C16MP12 | CF/CM/CU48D | 1.01 | 0.97 | 0.95 |
| TPLC100C20MP12 | CF/CM/CU36C | 1.01 | 0.98 | 0.96 |
| TPLC100C20MP12 | CF/CM/CU42C | 1.02 | 0.99 | 0.96 |
| TPLC100C20MP12 | CF/CM/CU48C | 1.03 | 1.06 | 0.97 |
| TPLC100C20MP12 | CF/CM/CU48D | 1.03 | 1.02 | 0.94 |
| TPLC120C20MP12 | CF/CM/CU36C | 1.01 | 0.98 | 0.96 |
| TPLC120C20MP12 | CF/CM/CU42C | 1.02 | 0.99 | 0.96 |
| TPLC120C20MP12 | CF/CM/CU48C | 1.03 | 1.06 | 0.97 |
| TPLC120C20MP12 | CF/CM/CU48D | 1.03 | 1.02 | 0.94 |

## FURNACE MULTIPLIERS- 3 TON (Continued)

| Furnaces       | Coil        | T.C. | S.C. | KW   |
|----------------|-------------|------|------|------|
| TPLC080C16MP12 | CF/CM/CU48D | 1.01 | 0.97 | 0.95 |
| TPLC100C16MP12 | CF/CM/CU36C | 1.01 | 0.98 | 0.95 |
| TPLC100C16MP12 | CF/CM/CU42C | 1.03 | 1.08 | 0.99 |
| TPLC100C16MP12 | CF/CM/CU48C | 1.01 | 0.97 | 0.95 |
| TPLC100C16MP12 | CF/CM/CU48D | 1.01 | 0.97 | 0.95 |
| TPLC100C20MP12 | CF/CM/CU36C | 1.01 | 0.98 | 0.96 |
| TPLC100C20MP12 | CF/CM/CU42C | 1.02 | 0.99 | 0.96 |
| TPLC100C20MP12 | CF/CM/CU48C | 1.03 | 1.06 | 0.97 |
| TPLC100C20MP12 | CF/CM/CU48D | 1.03 | 1.02 | 0.94 |
| TPLC120C20MP12 | CF/CM/CU36C | 1.01 | 0.98 | 0.96 |
| TPLC120C20MP12 | CF/CM/CU42C | 1.02 | 0.99 | 0.96 |
| TPLC120C20MP12 | CF/CM/CU48C | 1.03 | 1.06 | 0.97 |
| TPLC120C20MP12 | CF/CM/CU48D | 1.03 | 1.02 | 0.94 |
| YP9C060B12MP12 | CF/CM/CU36B | 0.99 | 0.95 | 0.95 |
| YP9C060B12MP12 | CF42B       | 1.02 | 1.02 | 0.98 |
| YP9C080B12MP12 | CF/CM/CU36B | 0.99 | 0.95 | 0.95 |
| YP9C080B12MP12 | CF42B       | 1.02 | 1.02 | 0.98 |
| YP9C080C16MP12 | CF/CM/CU36C | 0.99 | 0.92 | 0.93 |
| YP9C080C16MP12 | CF/CM/CU42C | 1.00 | 0.93 | 0.94 |
| YP9C080C16MP12 | CF/CM/CU48C | 1.03 | 1.07 | 0.99 |
| YP9C080C16MP12 | CF/CM/CU48D | 1.03 | 1.03 | 0.97 |
| YP9C100C16MP12 | CF/CM/CU36C | 0.99 | 0.92 | 0.93 |
| YP9C100C16MP12 | CF/CM/CU42C | 1.00 | 0.93 | 0.94 |
| YP9C100C16MP12 | CF/CM/CU48C | 1.03 | 1.07 | 0.99 |
| YP9C100C16MP12 | CF/CM/CU48D | 1.03 | 1.03 | 0.97 |
| YP9C100C20MP12 | CF/CM/CU36C | 1.01 | 0.97 | 0.96 |
| YP9C100C20MP12 | CF/CM/CU42C | 1.03 | 1.07 | 0.99 |
| YP9C100C20MP12 | CF/CM/CU48C | 1.03 | 1.02 | 0.99 |
| YP9C100C20MP12 | CF/CM/CU48D | 1.03 | 1.06 | 0.99 |
| YP9C120D20MP12 | CF/CM/CU36D | 1.02 | 1.00 | 0.94 |
| YP9C120D20MP12 | CF/CM/CU42D | 1.02 | 1.00 | 0.96 |
| YP9C120D20MP12 | CF/CM/CU48D | 1.04 | 1.06 | 0.98 |
| YPLC060A12MP12 | CF/CM36A    | 0.98 | 0.91 | 0.98 |
| YPLC080B12MP12 | CF/CM/CU36B | 0.99 | 0.93 | 0.97 |
| YPLC080B12MP12 | CF42B       | 0.99 | 0.93 | 0.95 |
| YPLC080C16MP12 | CF/CM/CU36C | 1.01 | 0.98 | 0.95 |
| YPLC080C16MP12 | CF/CM/CU42C | 1.03 | 1.08 | 0.99 |
| YPLC080C16MP12 | CF/CM/CU48C | 1.01 | 0.97 | 0.95 |
| YPLC080C16MP12 | CF/CM/CU48D | 1.01 | 0.97 | 0.95 |
| YPLC100C16MP12 | CF/CM/CU36C | 1.01 | 0.98 | 0.95 |
| YPLC100C16MP12 | CF/CM/CU42C | 1.03 | 1.08 | 0.99 |
| YPLC100C16MP12 | CF/CM/CU48C | 1.01 | 0.97 | 0.95 |
| YPLC100C16MP12 | CF/CM/CU48D | 1.01 | 0.97 | 0.95 |
| YPLC100C20MP12 | CF/CM/CU36C | 1.01 | 0.98 | 0.96 |
| YPLC100C20MP12 | CF/CM/CU42C | 1.02 | 0.99 | 0.96 |
| YPLC100C20MP12 | CF/CM/CU48C | 1.03 | 1.06 | 0.97 |
| YPLC100C20MP12 | CF/CM/CU48D | 1.03 | 1.02 | 0.94 |
| YPLC120C20MP12 | CF/CM/CU36C | 1.01 | 0.98 | 0.96 |
| YPLC120C20MP12 | CF/CM/CU42C | 1.02 | 0.99 | 0.96 |
| YPLC120C20MP12 | CF/CM/CU48C | 1.03 | 1.06 | 0.97 |
| YPLC120C20MP12 | CF/CM/CU48D | 1.03 | 1.02 | 0.94 |

## PERFORMANCE DATA - 3.5 TON

| CONDENSER-ONLY DATA (OUTDOOR UNIT) |                                   |          |                             |      |       |      |       |      |       |      |       |      |        |      |        |      |        |      |
|------------------------------------|-----------------------------------|----------|-----------------------------|------|-------|------|-------|------|-------|------|-------|------|--------|------|--------|------|--------|------|
| MODEL                              | SATURATED SUCTION<br>@ COMPRESSOR |          | Outdoor Ambient Temperature |      |       |      |       |      |       |      |       |      |        |      |        |      |        |      |
|                                    |                                   |          | 55 °F                       |      | 65 °F |      | 75 °F |      | 85 °F |      | 95 °F |      | 105 °F |      | 115 °F |      | 125 °F |      |
|                                    | T (°F)                            | P (PSIG) | MBH                         | KW   | MBH   | KW   | MBH   | KW   | MBH   | KW   | MBH   | KW   | MBH    | KW   | MBH    | KW   | MBH    | KW   |
| YCE42B21H                          | 35                                | 107      | 41.1                        | 1.89 | 37.3  | 2.16 | 33.8  | 2.39 | 30.4  | 2.58 | 27.1  | 2.73 | 23.8   | 2.86 | 20.4   | 2.95 | 16.7   | 3.01 |
|                                    | 40                                | 118      | 46.5                        | 1.86 | 42.2  | 2.15 | 38.3  | 2.41 | 34.6  | 2.63 | 30.9  | 2.82 | 27.3   | 2.97 | 23.5   | 3.09 | 19.6   | 3.17 |
|                                    | 45                                | 130      | 52.4                        | 1.82 | 47.7  | 2.13 | 43.4  | 2.42 | 39.2  | 2.67 | 35.1  | 2.88 | 31.1   | 3.07 | 27.0   | 3.22 | 22.7   | 3.32 |
|                                    | 50                                | 142      | 58.7                        | 1.78 | 53.7  | 2.12 | 48.9  | 2.43 | 44.3  | 2.70 | 39.8  | 2.94 | 35.3   | 3.15 | 30.8   | 3.33 | 26.1   | 3.45 |
|                                    | 55                                | 156      | 65.6                        | 1.75 | 60.0  | 2.10 | 54.8  | 2.43 | 49.9  | 2.72 | 44.9  | 2.98 | 39.9   | 3.22 | 35.0   | 3.42 | 29.9   | 3.57 |

## Notes:

- For Outdoor Unit (Condenser) performance only. Data does not include the effects of air handler power or heat.
- Performance based on 15°F subcooling and 15°F superheat at the Outdoor Unit base valves.
  - Increase capacity by 1% for each 2°F increase in subcooling.
  - Decrease capacity by 1% for each 2°F decrease in subcooling.
- Maximum recommended condensing temperature is 140°F.

| COOLING PERFORMANCE DATA                   |            |           |      |      |      |      |      |      |      |      |      |      |      |      |      |      |
|--------------------------------------------|------------|-----------|------|------|------|------|------|------|------|------|------|------|------|------|------|------|
| OUTDOOR UNIT MODEL NO.                     |            | YCE42B21H |      |      |      |      |      |      |      |      |      |      |      |      |      |      |
| INDOOR COIL MODEL NO.                      |            | CF42CXA1  |      |      |      |      |      |      |      |      |      |      |      |      |      |      |
| AIR TEMP.<br>ENTERING<br>OUTDOOR UNIT (°F) | ID CFM     | 1200      |      |      |      |      | 1400 |      |      |      |      | 1600 |      |      |      |      |
|                                            | ID DB (°F) | 80        | 80   | 75   | 80   | 80   | 80   | 80   | 75   | 80   | 80   | 80   | 80   | 75   | 80   | 80   |
|                                            | ID WB (°F) | 57        | 62   | 62   | 67   | 72   | 57   | 62   | 62   | 67   | 72   | 57   | 62   | 62   | 67   | 72   |
| 55                                         | T.C.       | 42.5      | 47.3 | 46.9 | 51.1 | 53.6 | 44.8 | 48.3 | 48.3 | 51.8 | 53.5 | 47.1 | 49.3 | 49.7 | 52.5 | 53.5 |
|                                            | S.C.       | 42.5      | 39.5 | 33.6 | 32.9 | 25.5 | 44.8 | 42.5 | 35.9 | 34.2 | 26.3 | 47.1 | 45.4 | 38.1 | 35.6 | 27.2 |
|                                            | KW         | 2.39      | 2.36 | 2.37 | 2.34 | 2.34 | 2.45 | 2.43 | 2.43 | 2.41 | 2.41 | 2.51 | 2.49 | 2.50 | 2.48 | 2.47 |
| 65                                         | T.C.       | 40.6      | 44.3 | 44.2 | 48.5 | 52.1 | 42.7 | 45.5 | 45.5 | 49.4 | 52.5 | 44.7 | 46.6 | 46.8 | 50.2 | 52.9 |
|                                            | S.C.       | 40.6      | 37.7 | 32.1 | 31.9 | 25.0 | 42.7 | 40.7 | 34.4 | 33.7 | 26.1 | 44.7 | 43.7 | 36.7 | 35.5 | 27.2 |
|                                            | KW         | 2.61      | 2.61 | 2.61 | 2.60 | 2.60 | 2.68 | 2.68 | 2.68 | 2.67 | 2.67 | 2.75 | 2.75 | 2.75 | 2.74 | 2.74 |
| 75                                         | T.C.       | 38.7      | 41.4 | 41.6 | 46.0 | 50.6 | 40.6 | 42.7 | 42.8 | 46.9 | 51.5 | 42.4 | 43.9 | 43.9 | 47.8 | 52.4 |
|                                            | S.C.       | 38.7      | 35.9 | 30.5 | 31.0 | 24.5 | 40.6 | 38.9 | 32.9 | 33.2 | 25.9 | 42.4 | 41.9 | 35.2 | 35.4 | 27.3 |
|                                            | KW         | 2.84      | 2.85 | 2.85 | 2.86 | 2.86 | 2.91 | 2.93 | 2.93 | 2.93 | 2.93 | 2.99 | 3.01 | 3.00 | 3.00 | 3.01 |
| 85                                         | T.C.       | 36.4      | 38.6 | 38.7 | 42.8 | 47.6 | 38.2 | 39.8 | 39.7 | 43.7 | 48.6 | 40.1 | 41.0 | 40.8 | 44.6 | 49.6 |
|                                            | S.C.       | 36.4      | 34.7 | 29.3 | 29.6 | 23.2 | 38.2 | 37.5 | 31.6 | 31.8 | 24.7 | 40.1 | 40.3 | 33.9 | 34.0 | 26.1 |
|                                            | KW         | 3.05      | 3.09 | 3.09 | 3.11 | 3.14 | 3.14 | 3.17 | 3.16 | 3.19 | 3.21 | 3.23 | 3.25 | 3.24 | 3.26 | 3.29 |
| 95                                         | T.C.       | 34.1      | 35.7 | 35.8 | 39.5 | 44.5 | 35.9 | 36.9 | 36.7 | 40.5 | 45.6 | 37.8 | 38.1 | 37.6 | 41.5 | 46.7 |
|                                            | S.C.       | 34.1      | 33.4 | 28.0 | 28.2 | 22.0 | 35.9 | 36.0 | 30.3 | 30.4 | 23.5 | 37.8 | 38.1 | 32.6 | 32.5 | 25.0 |
|                                            | KW         | 3.27      | 3.32 | 3.32 | 3.36 | 3.41 | 3.37 | 3.40 | 3.40 | 3.45 | 3.49 | 3.47 | 3.49 | 3.48 | 3.53 | 3.57 |
| 105                                        | T.C.       | 31.7      | 32.5 | 32.4 | 35.7 | 40.6 | 33.3 | 33.8 | 33.1 | 36.7 | 41.4 | 35.0 | 35.0 | 33.8 | 37.6 | 42.2 |
|                                            | S.C.       | 31.7      | 31.2 | 26.6 | 26.8 | 20.8 | 33.3 | 33.5 | 28.7 | 29.1 | 22.2 | 35.0 | 35.0 | 30.8 | 31.3 | 23.7 |
|                                            | KW         | 3.51      | 3.54 | 3.54 | 3.61 | 3.67 | 3.62 | 3.64 | 3.63 | 3.69 | 3.76 | 3.72 | 3.73 | 3.71 | 3.78 | 3.84 |
| 115                                        | T.C.       | 29.4      | 29.4 | 29.0 | 32.0 | 36.8 | 30.8 | 30.7 | 29.6 | 32.9 | 37.4 | 32.2 | 32.1 | 30.1 | 33.9 | 37.9 |
|                                            | S.C.       | 29.4      | 29.1 | 25.2 | 25.5 | 19.6 | 30.8 | 30.7 | 27.1 | 27.8 | 21.0 | 32.2 | 32.1 | 29.0 | 30.1 | 22.4 |
|                                            | KW         | 3.75      | 3.76 | 3.76 | 3.84 | 3.93 | 3.85 | 3.86 | 3.85 | 3.93 | 4.01 | 3.95 | 3.96 | 3.93 | 4.02 | 4.10 |
| 125                                        | T.C.       | 27.0      | 26.2 | 25.7 | 28.3 | 33.0 | 28.3 | 27.6 | 26.1 | 29.2 | 33.3 | 29.5 | 29.1 | 26.4 | 30.1 | 33.6 |
|                                            | S.C.       | 27.0      | 26.2 | 23.8 | 24.2 | 18.4 | 28.3 | 27.6 | 25.5 | 26.5 | 19.8 | 29.5 | 29.1 | 26.4 | 28.8 | 21.1 |
|                                            | KW         | 3.98      | 3.98 | 3.97 | 4.08 | 4.19 | 4.09 | 4.09 | 4.06 | 4.17 | 4.27 | 4.19 | 4.19 | 4.16 | 4.26 | 4.36 |

ALL CAPACITIES INCLUDE INDOOR FAN HEAT. KW VALUES ARE FOR THE SYSTEM (OUTDOOR + INDOOR).

Green shaded cells are ACCA (TVA) conditions.

Blue shaded cells are AHRI conditions.

## Multipliers for determining the performance with other indoor sections.

**NOTE:** For dry bulb temperatures different than those listed (between 73-87 °F), sensible capacity increases by 1060 BTUH per 1000 CFM per degree above the listed temperature and decreases by 1060 BTUH per 1000 CFM per degree below the listed temperature.

## COIL MULTIPLIERS- 3.5 TON

| Air Handler | Coil        | T.C. | S.C. | KW   |
|-------------|-------------|------|------|------|
| -           | CF/CM/CU42C | 1.00 | 1.00 | 1.00 |
| -           | CF/CM/CU42D | 1.01 | 1.02 | 1.01 |
| -           | CF/CM/CU48C | 1.01 | 1.00 | 1.01 |
| -           | CF/CM/CU48D | 1.01 | 1.00 | 1.01 |
| -           | CF/CM/CU60C | 1.01 | 1.02 | 1.01 |
| -           | CF/CM/CU60D | 1.01 | 1.02 | 1.01 |
| -           | CF/CM64D    | 1.04 | 1.02 | 1.04 |
| -           | CF42B       | 0.95 | 0.95 | 0.97 |
| AE42CX21    | -           | 1.02 | 1.02 | 0.98 |
| AE48CX21    | -           | 1.01 | 0.95 | 0.93 |
| AE48DX21    | -           | 1.01 | 0.95 | 0.93 |
| AE60CX21    | -           | 1.04 | 1.07 | 0.97 |
| AE60DX21    | -           | 1.04 | 1.04 | 0.96 |
| AP42CX21    | -           | 0.99 | 0.94 | 1.01 |
| AP48CX21    | -           | 1.00 | 0.97 | 1.00 |
| AP48DX21    | -           | 1.01 | 0.99 | 1.01 |
| AP60CX21    | -           | 1.01 | 1.00 | 1.06 |
| AP60DX21    | -           | 1.01 | 1.00 | 1.06 |
| AVC42CX21   | -           | 1.01 | 0.97 | 0.97 |
| AVC48CX21   | -           | 1.01 | 0.95 | 0.95 |
| AVC48DX21   | -           | 1.02 | 0.99 | 0.94 |
| AVC60CX21   | -           | 1.02 | 0.99 | 0.96 |
| AVC60DX21   | -           | 1.02 | 0.97 | 0.94 |
| ME14DN21    | CF/CM42D    | 1.02 | 1.02 | 0.96 |
| ME14DN21    | CF/CM48D    | 1.02 | 1.02 | 0.96 |
| ME14DN21    | CF/CM60D    | 1.01 | 0.97 | 0.93 |
| ME14DN21    | CF/CM64D    | 1.04 | 1.04 | 0.96 |
| ME16CN21    | CF/CM42C    | 1.02 | 1.02 | 0.98 |
| ME16CN21    | CF/CM48C    | 1.01 | 0.95 | 0.93 |
| ME16CN21    | CF/CM60C    | 1.01 | 0.97 | 0.93 |
| ME20DN21    | CF/CM42D    | 1.04 | 1.05 | 0.97 |
| ME20DN21    | CF/CM48D    | 1.04 | 1.05 | 0.96 |
| ME20DN21    | CF/CM60D    | 1.04 | 1.05 | 0.96 |
| ME20DN21    | CF/CM64D    | 1.04 | 1.04 | 0.96 |
| MVC12BN21   | CF42B       | 0.99 | 0.90 | 0.99 |
| MVC14DN21   | CF/CM42D    | 1.02 | 1.02 | 0.96 |
| MVC14DN21   | CF/CM48D    | 1.02 | 1.00 | 0.94 |
| MVC14DN21   | CF/CM60D    | 1.01 | 0.97 | 0.95 |
| MVC14DN21   | CF/CM64D    | 1.04 | 1.02 | 0.96 |
| MVC16CN21   | CF/CM42C    | 1.00 | 0.97 | 0.94 |
| MVC16CN21   | CF/CM48C    | 1.01 | 0.99 | 0.95 |
| MVC20DN21   | CF/CM42D    | 1.00 | 0.95 | 0.96 |
| MVC20DN21   | CF/CM48D    | 1.02 | 0.99 | 0.96 |
| MVC20DN21   | CF/CM60D    | 1.01 | 0.99 | 0.93 |
| MVC20DN21   | CF/CM64D    | 1.04 | 0.99 | 0.96 |

## FURNACE MULTIPLIERS- 3.5 TON

| Furnaces       | Coil        | T.C. | S.C. | KW   |
|----------------|-------------|------|------|------|
| TM8V080C16MP11 | CF/CM/CU42C | 1.01 | 0.99 | 0.99 |
| TM8V080C16MP11 | CF/CM/CU48C | 1.01 | 0.99 | 0.97 |
| TM8V080C16MP11 | CF/CM/CU48D | 1.01 | 0.99 | 0.97 |
| TM8V080C16MP11 | CF/CM/CU60C | 1.02 | 1.00 | 0.98 |
| TM8V080C16MP11 | CF/CM64D    | 1.02 | 0.99 | 0.96 |
| TM8V100C16MP11 | CF/CM/CU42C | 1.01 | 0.99 | 0.99 |
| TM8V100C16MP11 | CF/CM/CU48C | 1.01 | 0.99 | 0.97 |
| TM8V100C16MP11 | CF/CM/CU48D | 1.01 | 0.99 | 0.97 |
| TM8V100C16MP11 | CF/CM/CU60C | 1.02 | 1.00 | 0.98 |
| TM8V100C16MP11 | CF/CM64D    | 1.02 | 0.99 | 0.96 |
| TM8V100C20MP11 | CF/CM/CU42C | 1.00 | 0.95 | 0.96 |
| TM8V100C20MP11 | CF/CM/CU48C | 1.01 | 0.99 | 0.97 |
| TM8V100C20MP11 | CF/CM/CU60C | 1.02 | 1.04 | 0.98 |
| TM8V100C20MP11 | CF/CM/CU60D | 1.00 | 0.97 | 0.96 |
| TM8V100C20MP11 | CF/CM64D    | 1.01 | 0.94 | 0.97 |
| TM8V120C20MP11 | CF/CM/CU42C | 1.00 | 0.95 | 0.96 |
| TM8V120C20MP11 | CF/CM/CU48C | 1.01 | 0.99 | 0.97 |
| TM8V120C20MP11 | CF/CM/CU60C | 1.02 | 1.04 | 0.98 |
| TM8V120C20MP11 | CF/CM/CU60D | 1.00 | 0.97 | 0.96 |
| TM8V120C20MP11 | CF/CM64D    | 1.01 | 0.94 | 0.97 |
| TM8X080B12MP11 | CF42B       | 0.96 | 0.89 | 0.94 |
| TM8X080C16MP11 | CF/CM/CU42C | 0.99 | 0.92 | 0.95 |
| TM8X080C16MP11 | CF/CM/CU42D | 1.01 | 1.02 | 0.99 |
| TM8X080C16MP11 | CF/CM/CU48C | 1.02 | 1.02 | 1.00 |
| TM8X080C16MP11 | CF/CM/CU48D | 1.02 | 1.02 | 1.00 |
| TM8X080C16MP11 | CF/CM/CU60C | 1.00 | 0.92 | 0.96 |
| TM8X080C16MP11 | CF/CM/CU60D | 1.00 | 0.92 | 0.96 |
| TM8X080C16MP11 | CF/CM64D    | 1.01 | 0.94 | 0.95 |
| TM8X100C16MP11 | CF/CM/CU42C | 0.99 | 0.92 | 0.95 |
| TM8X100C16MP11 | CF/CM/CU42D | 1.01 | 1.02 | 0.99 |
| TM8X100C16MP11 | CF/CM/CU48C | 1.02 | 1.02 | 1.00 |
| TM8X100C16MP11 | CF/CM/CU48D | 1.02 | 1.02 | 1.00 |
| TM8X100C16MP11 | CF/CM/CU60C | 1.00 | 0.92 | 0.96 |
| TM8X100C16MP11 | CF/CM/CU60D | 1.00 | 0.92 | 0.96 |
| TM8X100C16MP11 | CF/CM64D    | 1.01 | 0.94 | 0.95 |
| TM8X100C20MP11 | CF/CM/CU42C | 1.02 | 1.02 | 0.98 |
| TM8X100C20MP11 | CF/CM/CU42D | 1.01 | 0.97 | 0.95 |
| TM8X100C20MP11 | CF/CM/CU48C | 1.01 | 0.99 | 0.95 |
| TM8X100C20MP11 | CF/CM/CU48D | 1.02 | 0.99 | 0.96 |
| TM8X100C20MP11 | CF/CM/CU60C | 1.02 | 0.99 | 0.96 |
| TM8X100C20MP11 | CF/CM/CU60D | 1.02 | 0.99 | 0.96 |
| TM8X100C20MP11 | CF/CM64D    | 1.04 | 1.00 | 0.96 |
| TM8X120C20MP11 | CF/CM/CU42C | 1.02 | 1.02 | 0.98 |
| TM8X120C20MP11 | CF/CM/CU42D | 1.01 | 0.97 | 0.95 |
| TM8X120C20MP11 | CF/CM/CU48C | 1.01 | 0.99 | 0.95 |
| TM8X120C20MP11 | CF/CM/CU48D | 1.02 | 0.99 | 0.96 |
| TM8X120C20MP11 | CF/CM/CU60C | 1.02 | 0.99 | 0.96 |
| TM8X120C20MP11 | CF/CM/CU60D | 1.02 | 0.99 | 0.96 |
| TM8X120C20MP11 | CF/CM64D    | 1.04 | 1.00 | 0.96 |
| TM8Y080B12MP11 | CF42B       | 0.96 | 0.89 | 0.94 |
| TM8Y080C16MP11 | CF/CM/CU42C | 0.99 | 0.92 | 0.95 |
| TM8Y080C16MP11 | CF/CM/CU42D | 1.01 | 1.02 | 0.99 |

## FURNACE MULTIPLIERS- 3.5 TON (Continued)

| Furnaces       | Coil        | T.C. | S.C. | KW   |
|----------------|-------------|------|------|------|
| TM8Y080C16MP11 | CF/CM/CU48C | 1.02 | 1.02 | 1.00 |
| TM8Y080C16MP11 | CF/CM/CU48D | 1.02 | 1.02 | 1.00 |
| TM8Y080C16MP11 | CF/CM/CU60C | 1.00 | 0.92 | 0.96 |
| TM8Y080C16MP11 | CF/CM/CU60D | 1.00 | 0.92 | 0.96 |
| TM8Y080C16MP11 | CF/CM64D    | 1.01 | 0.94 | 0.95 |
| TM8Y100C16MP11 | CF/CM/CU42C | 0.99 | 0.92 | 0.95 |
| TM8Y100C16MP11 | CF/CM/CU42D | 1.01 | 1.02 | 0.99 |
| TM8Y100C16MP11 | CF/CM/CU48C | 1.02 | 1.02 | 1.00 |
| TM8Y100C16MP11 | CF/CM/CU48D | 1.02 | 1.02 | 1.00 |
| TM8Y100C16MP11 | CF/CM/CU60C | 1.00 | 0.92 | 0.96 |
| TM8Y100C16MP11 | CF/CM/CU60D | 1.00 | 0.92 | 0.96 |
| TM8Y100C16MP11 | CF/CM64D    | 1.01 | 0.94 | 0.95 |
| TM8Y100C20MP11 | CF/CM/CU42C | 1.02 | 1.02 | 0.98 |
| TM8Y100C20MP11 | CF/CM/CU42D | 1.01 | 0.97 | 0.95 |
| TM8Y100C20MP11 | CF/CM/CU48C | 1.01 | 0.99 | 0.95 |
| TM8Y100C20MP11 | CF/CM/CU48D | 1.02 | 0.99 | 0.96 |
| TM8Y100C20MP11 | CF/CM/CU60C | 1.02 | 0.99 | 0.96 |
| TM8Y100C20MP11 | CF/CM/CU60D | 1.02 | 0.99 | 0.96 |
| TM8Y100C20MP11 | CF/CM64D    | 1.04 | 1.00 | 0.96 |
| TM8Y120C20MP11 | CF/CM/CU42C | 1.02 | 1.02 | 0.98 |
| TM8Y120C20MP11 | CF/CM/CU42D | 1.01 | 0.97 | 0.95 |
| TM8Y120C20MP11 | CF/CM/CU48C | 1.01 | 0.99 | 0.95 |
| TM8Y120C20MP11 | CF/CM/CU48D | 1.02 | 0.99 | 0.96 |
| TM8Y120C20MP11 | CF/CM/CU60C | 1.02 | 0.99 | 0.96 |
| TM8Y120C20MP11 | CF/CM/CU60D | 1.02 | 0.99 | 0.96 |
| TM8Y120C20MP11 | CF/CM64D    | 1.04 | 1.00 | 0.96 |
| TM9E080C16MP11 | CF/CM/CU42C | 1.00 | 0.95 | 0.96 |
| TM9E080C16MP11 | CF/CM/CU42D | 1.01 | 0.99 | 0.99 |
| TM9E080C16MP11 | CF/CM/CU48C | 1.01 | 0.99 | 0.99 |
| TM9E080C16MP11 | CF/CM/CU48D | 1.00 | 0.95 | 0.96 |
| TM9E080C16MP11 | CF/CM/CU60C | 1.00 | 0.92 | 0.96 |
| TM9E080C16MP11 | CF/CM/CU60D | 1.00 | 0.92 | 0.96 |
| TM9E080C16MP11 | CF/CM64D    | 1.02 | 0.99 | 0.96 |
| TM9E100C16MP11 | CF/CM/CU42C | 1.00 | 0.95 | 0.96 |
| TM9E100C16MP11 | CF/CM/CU42D | 1.01 | 0.99 | 0.99 |
| TM9E100C16MP11 | CF/CM/CU48C | 1.01 | 0.99 | 0.99 |
| TM9E100C16MP11 | CF/CM/CU48D | 1.00 | 0.95 | 0.96 |
| TM9E100C16MP11 | CF/CM/CU60C | 1.00 | 0.92 | 0.96 |
| TM9E100C16MP11 | CF/CM64D    | 1.02 | 0.99 | 0.96 |
| TM9E100C20MP11 | CF/CM/CU42C | 1.00 | 0.95 | 0.96 |
| TM9E100C20MP11 | CF/CM/CU42D | 1.00 | 0.95 | 0.96 |
| TM9E100C20MP11 | CF/CM/CU48C | 1.00 | 0.95 | 0.96 |
| TM9E100C20MP11 | CF/CM/CU48D | 1.00 | 0.95 | 0.96 |
| TM9E100C20MP11 | CF/CM/CU60C | 1.01 | 0.97 | 0.97 |
| TM9E100C20MP11 | CF/CM/CU60D | 1.01 | 0.97 | 0.97 |
| TM9E100C20MP11 | CF/CM64D    | 1.02 | 0.99 | 0.96 |
| TM9E120D20MP11 | CF/CM/CU42D | 1.00 | 0.97 | 0.94 |
| TM9E120D20MP11 | CF/CM/CU48D | 1.01 | 0.97 | 0.95 |
| TM9E120D20MP11 | CF/CM/CU60D | 1.01 | 0.97 | 0.97 |
| TM9E120D20MP11 | CF/CM64D    | 1.02 | 0.99 | 0.94 |
| TM9V060B12MP11 | CF42B       | 0.99 | 0.90 | 0.97 |

## FURNACE MULTIPLIERS- 3.5 TON (Continued)

| Furnaces       | Coil        | T.C. | S.C. | KW   |
|----------------|-------------|------|------|------|
| TM9V080B12MP11 | CF42B       | 0.99 | 0.90 | 0.97 |
| TM9V080C16MP11 | CF/CM/CU42C | 1.00 | 0.97 | 0.98 |
| TM9V080C16MP11 | CF/CM/CU48C | 1.01 | 0.97 | 0.97 |
| TM9V080C16MP11 | CF/CM/CU48D | 1.02 | 1.04 | 0.98 |
| TM9V080C16MP11 | CF/CM/CU60C | 1.00 | 0.94 | 0.96 |
| TM9V080C16MP11 | CF/CM/CU60D | 1.02 | 1.04 | 1.00 |
| TM9V080C16MP11 | CF/CM64D    | 1.04 | 1.00 | 0.97 |
| TM9V100C16MP11 | CF/CM/CU42C | 1.00 | 0.97 | 0.98 |
| TM9V100C16MP11 | CF/CM/CU48C | 1.01 | 0.97 | 0.97 |
| TM9V100C16MP11 | CF/CM/CU48D | 1.02 | 1.04 | 0.98 |
| TM9V100C16MP11 | CF/CM/CU60C | 1.00 | 0.94 | 0.96 |
| TM9V100C16MP11 | CF/CM/CU60D | 1.02 | 1.04 | 1.00 |
| TM9V100C16MP11 | CF/CM64D    | 1.04 | 1.00 | 0.97 |
| TM9V100C20MP11 | CF/CM/CU42C | 1.00 | 0.97 | 0.98 |
| TM9V100C20MP11 | CF/CM/CU48C | 1.01 | 0.97 | 0.97 |
| TM9V100C20MP11 | CF/CM/CU48D | 1.01 | 0.99 | 0.97 |
| TM9V100C20MP11 | CF/CM/CU60C | 1.01 | 0.99 | 0.97 |
| TM9V100C20MP11 | CF/CM/CU60D | 1.01 | 0.97 | 0.97 |
| TM9V100C20MP11 | CF/CM64D    | 1.02 | 0.99 | 0.96 |
| TM9V120D20MP11 | CF/CM/CU42D | 1.01 | 0.99 | 0.97 |
| TM9V120D20MP11 | CF/CM/CU48D | 1.01 | 0.99 | 0.97 |
| TM9V120D20MP11 | CF/CM/CU60D | 1.01 | 0.97 | 0.97 |
| TM9V120D20MP11 | CF/CM64D    | 1.02 | 0.99 | 0.94 |
| TM9Y080C16MP11 | CF/CM/CU42C | 1.00 | 0.95 | 0.96 |
| TM9Y080C16MP11 | CF/CM/CU42D | 1.01 | 0.99 | 0.99 |
| TM9Y080C16MP11 | CF/CM/CU48C | 1.01 | 0.99 | 0.99 |
| TM9Y080C16MP11 | CF/CM/CU48D | 1.00 | 0.95 | 0.96 |
| TM9Y080C16MP11 | CF/CM/CU60C | 1.00 | 0.92 | 0.96 |
| TM9Y080C16MP11 | CF/CM/CU60D | 1.00 | 0.92 | 0.96 |
| TM9Y080C16MP11 | CF/CM64D    | 1.02 | 0.99 | 0.96 |
| TM9Y100C16MP11 | CF/CM/CU42C | 1.00 | 0.95 | 0.96 |
| TM9Y100C16MP11 | CF/CM/CU42D | 1.01 | 0.99 | 0.99 |
| TM9Y100C16MP11 | CF/CM/CU48C | 1.01 | 0.99 | 0.99 |
| TM9Y100C16MP11 | CF/CM/CU48D | 1.00 | 0.95 | 0.96 |
| TM9Y100C16MP11 | CF/CM/CU60C | 1.00 | 0.92 | 0.96 |
| TM9Y100C16MP11 | CF/CM/CU60D | 1.00 | 0.92 | 0.96 |
| TM9Y100C16MP11 | CF/CM64D    | 1.02 | 0.99 | 0.96 |
| TM9Y100C20MP11 | CF/CM/CU42C | 1.00 | 0.95 | 0.96 |
| TM9Y100C20MP11 | CF/CM/CU42D | 1.00 | 0.95 | 0.96 |
| TM9Y100C20MP11 | CF/CM/CU48C | 1.00 | 0.95 | 0.96 |
| TM9Y100C20MP11 | CF/CM/CU48D | 1.00 | 0.95 | 0.96 |
| TM9Y100C20MP11 | CF/CM/CU60C | 1.01 | 0.97 | 0.97 |
| TM9Y100C20MP11 | CF/CM/CU60D | 1.01 | 0.97 | 0.97 |
| TM9Y100C20MP11 | CF/CM64D    | 1.02 | 0.99 | 0.96 |
| TM9Y120D20MP11 | CF/CM/CU42D | 1.00 | 0.97 | 0.94 |
| TM9Y120D20MP11 | CF/CM/CU48D | 1.01 | 0.97 | 0.95 |
| TM9Y120D20MP11 | CF/CM/CU60D | 1.01 | 0.97 | 0.97 |
| TM9Y120D20MP11 | CF/CM64D    | 1.02 | 0.99 | 0.94 |
| TMLV080C16MP11 | CF/CM/CU42C | 1.01 | 0.99 | 0.99 |
| TMLV080C16MP11 | CF/CM/CU48C | 1.01 | 0.99 | 0.97 |
| TMLV080C16MP11 | CF/CM/CU48D | 1.01 | 0.99 | 0.97 |
| TMLV080C16MP11 | CF/CM/CU60C | 1.02 | 1.00 | 0.98 |



**FURNACE MULTIPLIERS- 3.5 TON (Continued)**

| Furnaces       | Coil        | T.C. | S.C. | KW   |
|----------------|-------------|------|------|------|
| YP9C100C20MP12 | CF/CM/CU48C | 1.01 | 0.97 | 0.97 |
| YP9C100C20MP12 | CF/CM/CU48D | 1.01 | 0.99 | 0.97 |
| YP9C100C20MP12 | CF/CM/CU60C | 1.01 | 0.99 | 0.97 |
| YP9C100C20MP12 | CF/CM/CU60D | 1.01 | 0.97 | 0.97 |
| YP9C100C20MP12 | CF/CM64D    | 1.02 | 0.99 | 0.96 |
| YP9C120D20MP12 | CF/CM/CU42D | 1.01 | 0.99 | 0.97 |
| YP9C120D20MP12 | CF/CM/CU48D | 1.01 | 0.99 | 0.97 |
| YP9C120D20MP12 | CF/CM/CU60D | 1.01 | 0.97 | 0.97 |
| YP9C120D20MP12 | CF/CM64D    | 1.02 | 0.99 | 0.94 |
| YPLC080C16MP12 | CF/CM/CU42C | 1.01 | 0.99 | 0.99 |
| YPLC080C16MP12 | CF/CM/CU48C | 1.01 | 0.99 | 0.97 |
| YPLC080C16MP12 | CF/CM/CU48D | 1.01 | 0.99 | 0.97 |
| YPLC080C16MP12 | CF/CM/CU60C | 1.02 | 1.00 | 0.98 |
| YPLC080C16MP12 | CF/CM64D    | 1.02 | 0.99 | 0.96 |
| YPLC100C16MP12 | CF/CM/CU42C | 1.01 | 0.99 | 0.99 |
| YPLC100C16MP12 | CF/CM/CU48C | 1.01 | 0.99 | 0.97 |

**FURNACE MULTIPLIERS- 3.5 TON (Continued)**

| Furnaces       | Coil        | T.C. | S.C. | KW   |
|----------------|-------------|------|------|------|
| YPLC100C16MP12 | CF/CM/CU48D | 1.01 | 0.99 | 0.97 |
| YPLC100C16MP12 | CF/CM/CU60C | 1.02 | 1.00 | 0.98 |
| YPLC100C16MP12 | CF/CM64D    | 1.02 | 0.99 | 0.96 |
| YPLC100C20MP12 | CF/CM/CU42C | 1.00 | 0.95 | 0.96 |
| YPLC100C20MP12 | CF/CM/CU48C | 1.01 | 0.99 | 0.97 |
| YPLC100C20MP12 | CF/CM/CU60C | 1.02 | 1.04 | 0.98 |
| YPLC100C20MP12 | CF/CM/CU60D | 1.00 | 0.97 | 0.96 |
| YPLC100C20MP12 | CF/CM64D    | 1.01 | 0.94 | 0.97 |
| YPLC120C20MP12 | CF/CM/CU42C | 1.00 | 0.95 | 0.96 |
| YPLC120C20MP12 | CF/CM/CU48C | 1.01 | 0.99 | 0.97 |
| YPLC120C20MP12 | CF/CM/CU60C | 1.02 | 1.04 | 0.98 |
| YPLC120C20MP12 | CF/CM/CU60D | 1.00 | 0.97 | 0.96 |
| YPLC120C20MP12 | CF/CM64D    | 1.01 | 0.94 | 0.97 |



## PERFORMANCE DATA - 4 TON

| CONDENSER-ONLY DATA (OUTDOOR UNIT) |                                   |          |                             |      |       |      |       |      |       |      |       |      |        |      |        |      |        |      |
|------------------------------------|-----------------------------------|----------|-----------------------------|------|-------|------|-------|------|-------|------|-------|------|--------|------|--------|------|--------|------|
| MODEL                              | SATURATED SUCTION<br>@ COMPRESSOR |          | Outdoor Ambient Temperature |      |       |      |       |      |       |      |       |      |        |      |        |      |        |      |
|                                    |                                   |          | 55 °F                       |      | 65 °F |      | 75 °F |      | 85 °F |      | 95 °F |      | 105 °F |      | 115 °F |      | 125 °F |      |
|                                    | T (°F)                            | P (PSIG) | MBH                         | KW   | MBH   | KW   | MBH   | KW   | MBH   | KW   | MBH   | KW   | MBH    | KW   | MBH    | KW   | MBH    | KW   |
| YCE48B21S                          | 35                                | 107      | 47.8                        | 2.16 | 45.5  | 2.42 | 43.2  | 2.72 | 40.8  | 3.05 | 38.3  | 3.44 | 35.7   | 3.90 | 32.8   | 4.41 | 29.8   | 4.99 |
|                                    | 40                                | 118      | 52.5                        | 2.16 | 50.0  | 2.42 | 47.5  | 2.71 | 44.9  | 3.05 | 42.3  | 3.43 | 39.4   | 3.89 | 36.4   | 4.40 | 33.1   | 4.98 |
|                                    | 45                                | 130      | 57.6                        | 2.17 | 54.8  | 2.42 | 52.1  | 2.71 | 49.4  | 3.04 | 46.5  | 3.42 | 43.4   | 3.88 | 40.2   | 4.40 | 36.7   | 4.96 |
|                                    | 50                                | 142      | 63.0                        | 2.18 | 60.0  | 2.43 | 57.0  | 2.72 | 54.0  | 3.06 | 50.9  | 3.42 | 47.7   | 3.87 | 44.1   | 4.39 | 40.5   | 4.94 |
|                                    | 55                                | 156      | 68.7                        | 2.19 | 65.4  | 2.44 | 62.2  | 2.73 | 58.9  | 3.07 | 55.6  | 3.44 | 52.2   | 3.88 | 48.4   | 4.39 | 44.5   | 4.93 |

## Notes:

- For Outdoor Unit (Condenser) performance only. Data does not include the effects of air handler power or heat.
- Performance based on 15°F subcooling and 15°F superheat at the Outdoor Unit base valves.
  - Increase capacity by 1% for each 2°F increase in subcooling.
  - Decrease capacity by 1% for each 2°F decrease in subcooling.
- Maximum recommended condensing temperature is 140°F.

| COOLING PERFORMANCE DATA                   |            |           |      |      |      |      |      |      |      |      |      |      |      |      |      |      |
|--------------------------------------------|------------|-----------|------|------|------|------|------|------|------|------|------|------|------|------|------|------|
| OUTDOOR UNIT MODEL NO.                     |            | YCE48B21S |      |      |      |      |      |      |      |      |      |      |      |      |      |      |
| INDOOR COIL MODEL NO.                      |            | CF48CXA1  |      |      |      |      |      |      |      |      |      |      |      |      |      |      |
| AIR TEMP.<br>ENTERING<br>OUTDOOR UNIT (°F) | ID CFM     | 1400      |      |      |      |      | 1600 |      |      |      |      | 1800 |      |      |      |      |
|                                            | ID DB (°F) | 80        | 80   | 75   | 80   | 80   | 80   | 80   | 75   | 80   | 80   | 80   | 80   | 75   | 80   | 80   |
|                                            | ID WB (°F) | 57        | 62   | 62   | 67   | 72   | 57   | 62   | 62   | 67   | 72   | 57   | 62   | 62   | 67   | 72   |
| 55                                         | T.C.       | 44.9      | 47.6 | 47.5 | 49.3 | 49.9 | 45.1 | 47.8 | 47.5 | 49.4 | 49.9 | 45.3 | 48.0 | 47.6 | 49.5 | 49.9 |
|                                            | S.C.       | 44.1      | 37.8 | 32.4 | 30.3 | 23.1 | 44.5 | 38.9 | 33.1 | 30.8 | 23.3 | 44.9 | 39.9 | 33.9 | 31.3 | 23.5 |
|                                            | KW         | 2.62      | 2.66 | 2.66 | 2.68 | 2.70 | 2.70 | 2.74 | 2.74 | 2.76 | 2.78 | 2.77 | 2.81 | 2.81 | 2.84 | 2.86 |
| 65                                         | T.C.       | 44.6      | 47.3 | 47.0 | 49.6 | 50.9 | 45.4 | 47.6 | 47.4 | 49.9 | 51.0 | 46.2 | 48.0 | 47.7 | 50.1 | 51.1 |
|                                            | S.C.       | 43.9      | 39.2 | 33.1 | 31.4 | 23.8 | 44.8 | 40.6 | 34.3 | 32.2 | 24.1 | 45.6 | 42.1 | 35.5 | 33.1 | 24.5 |
|                                            | KW         | 2.89      | 2.92 | 2.92 | 2.95 | 2.97 | 2.97 | 3.00 | 3.00 | 3.03 | 3.05 | 3.05 | 3.07 | 3.07 | 3.10 | 3.13 |
| 75                                         | T.C.       | 44.4      | 46.9 | 46.6 | 49.9 | 51.9 | 45.7 | 47.4 | 47.2 | 50.3 | 52.1 | 47.1 | 47.9 | 47.8 | 50.7 | 52.3 |
|                                            | S.C.       | 43.8      | 40.5 | 33.9 | 32.5 | 24.5 | 45.1 | 42.4 | 35.5 | 33.7 | 25.0 | 46.4 | 44.3 | 37.2 | 34.8 | 25.4 |
|                                            | KW         | 3.17      | 3.18 | 3.18 | 3.22 | 3.23 | 3.24 | 3.26 | 3.26 | 3.29 | 3.31 | 3.32 | 3.33 | 3.33 | 3.36 | 3.39 |
| 85                                         | T.C.       | 42.6      | 44.8 | 44.6 | 48.4 | 51.2 | 44.0 | 45.5 | 45.3 | 48.9 | 51.5 | 45.5 | 46.2 | 46.0 | 49.4 | 51.8 |
|                                            | S.C.       | 42.0      | 39.2 | 32.9 | 32.3 | 24.6 | 43.4 | 41.4 | 34.8 | 33.9 | 25.3 | 44.8 | 43.7 | 36.7 | 35.5 | 26.1 |
|                                            | KW         | 3.56      | 3.59 | 3.57 | 3.59 | 3.61 | 3.63 | 3.66 | 3.64 | 3.67 | 3.68 | 3.70 | 3.73 | 3.71 | 3.74 | 3.76 |
| 95                                         | T.C.       | 40.8      | 42.7 | 42.6 | 46.9 | 50.4 | 42.3 | 43.5 | 43.4 | 47.5 | 50.9 | 43.9 | 44.4 | 44.2 | 48.1 | 51.3 |
|                                            | S.C.       | 40.2      | 37.8 | 32.0 | 32.2 | 24.7 | 41.7 | 40.5 | 34.1 | 34.2 | 25.7 | 43.3 | 43.2 | 36.2 | 36.2 | 26.7 |
|                                            | KW         | 3.96      | 3.99 | 3.96 | 3.97 | 3.98 | 4.02 | 4.05 | 4.03 | 4.04 | 4.05 | 4.08 | 4.12 | 4.10 | 4.12 | 4.13 |
| 105                                        | T.C.       | 38.9      | 40.2 | 40.1 | 44.1 | 47.8 | 40.3 | 41.1 | 40.8 | 44.6 | 48.2 | 41.7 | 42.0 | 41.5 | 45.2 | 48.7 |
|                                            | S.C.       | 38.5      | 36.6 | 30.9 | 31.0 | 23.8 | 39.8 | 38.9 | 32.9 | 33.0 | 24.8 | 41.2 | 41.2 | 35.0 | 35.0 | 25.8 |
|                                            | KW         | 4.68      | 4.73 | 4.73 | 4.68 | 4.64 | 4.73 | 4.77 | 4.79 | 4.74 | 4.71 | 4.78 | 4.82 | 4.84 | 4.80 | 4.78 |
| 115                                        | T.C.       | 37.2      | 37.8 | 37.6 | 41.4 | 45.2 | 38.4 | 38.8 | 38.3 | 41.9 | 45.6 | 39.7 | 39.8 | 38.9 | 42.3 | 46.1 |
|                                            | S.C.       | 36.9      | 35.5 | 29.9 | 29.9 | 22.9 | 38.0 | 37.3 | 31.8 | 31.8 | 23.9 | 39.1 | 39.2 | 33.7 | 33.8 | 24.9 |
|                                            | KW         | 5.38      | 5.44 | 5.47 | 5.37 | 5.27 | 5.42 | 5.47 | 5.52 | 5.41 | 5.34 | 5.45 | 5.50 | 5.56 | 5.46 | 5.41 |
| 125                                        | T.C.       | 35.4      | 35.4 | 35.2 | 38.7 | 42.6 | 36.5 | 36.4 | 35.7 | 39.1 | 43.0 | 37.6 | 37.5 | 36.3 | 39.5 | 43.5 |
|                                            | S.C.       | 35.2      | 34.3 | 28.9 | 28.8 | 22.0 | 36.1 | 35.8 | 30.7 | 30.7 | 23.0 | 37.0 | 37.2 | 32.5 | 32.6 | 24.0 |
|                                            | KW         | 6.09      | 6.16 | 6.21 | 6.07 | 5.91 | 6.10 | 6.17 | 6.25 | 6.09 | 5.97 | 6.12 | 6.18 | 6.29 | 6.12 | 6.04 |

ALL CAPACITIES INCLUDE INDOOR FAN HEAT. KW VALUES ARE FOR THE SYSTEM (OUTDOOR + INDOOR).

Green shaded cells are ACCA (TVA) conditions.

Blue shaded cells are AHRJ conditions.

## Multipliers for determining the performance with other indoor sections.

NOTE: For dry bulb temperatures different than those listed (between 73-87 °F), sensible capacity increases by 1060 BTUH per 1000 CFM per degree above the listed temperature and decreases by 1060 BTUH per 1000 CFM per degree below the listed temperature.

**COIL MULTIPLIERS- 4 TON**

| Air Handler | Coil        | T.C. | S.C. | KW   |
|-------------|-------------|------|------|------|
| -           | CF/CM/CU48C | 1.00 | 0.99 | 1.00 |
| -           | CF/CM/CU48D | 1.00 | 0.99 | 1.00 |
| -           | CF/CM/CU60C | 1.01 | 1.05 | 0.97 |
| -           | CF/CM/CU60D | 1.01 | 1.05 | 0.99 |
| -           | CF/CM64D    | 1.01 | 1.05 | 0.97 |
| AE48CX21    | -           | 0.99 | 0.98 | 0.91 |
| AE48DX21    | -           | 0.99 | 0.99 | 0.91 |
| AE60CX21    | -           | 1.00 | 1.01 | 0.92 |
| AE60DX21    | -           | 1.01 | 1.01 | 0.91 |
| AP48CX21    | -           | 1.01 | 0.98 | 1.01 |
| AP48DX21    | -           | 1.00 | 0.99 | 1.00 |
| AP60CX21    | -           | 1.01 | 1.07 | 0.99 |
| AP60DX21    | -           | 1.01 | 1.05 | 1.01 |
| AVC48CX21   | -           | 1.01 | 0.99 | 0.95 |
| AVC48DX21   | -           | 1.01 | 1.01 | 0.93 |
| AVC60CX21   | -           | 1.01 | 1.01 | 0.93 |
| AVC60DX21   | -           | 1.01 | 1.02 | 0.93 |
| ME14DN21    | CF/CM60D    | 1.01 | 1.01 | 0.93 |
| ME14DN21    | CF/CM64D    | 1.01 | 0.99 | 0.91 |
| ME16CN21    | CF/CM48C    | 1.01 | 1.04 | 0.93 |
| ME16CN21    | CF/CM60C    | 1.01 | 1.02 | 0.93 |
| ME20DN21    | CF/CM48D    | 1.01 | 1.04 | 0.93 |
| ME20DN21    | CF/CM60D    | 1.01 | 1.01 | 0.93 |
| ME20DN21    | CF/CM64D    | 1.01 | 1.02 | 0.91 |
| MVC14DN21   | CF/CM48D    | 1.01 | 0.98 | 0.93 |
| MVC14DN21   | CF/CM60D    | 1.01 | 0.98 | 0.93 |
| MVC14DN21   | CF/CM64D    | 1.01 | 0.98 | 0.91 |
| MVC16CN21   | CF/CM48C    | 1.01 | 1.01 | 0.93 |
| MVC16CN21   | CF/CM60C    | 1.01 | 1.08 | 0.91 |
| MVC20DN21   | CF/CM48D    | 1.01 | 1.02 | 0.93 |
| MVC20DN21   | CF/CM60D    | 1.01 | 1.04 | 0.93 |
| MVC20DN21   | CF/CM64D    | 1.01 | 0.99 | 0.91 |

**FURNACE MULTIPLIERS- 4 TON**

| Furnaces       | Coil        | T.C. | S.C. | KW   |
|----------------|-------------|------|------|------|
| TM8V080C16MP11 | CF/CM/CU48C | 0.99 | 0.96 | 0.93 |
| TM8V080C16MP11 | CF/CM/CU48D | 1.01 | 0.98 | 0.95 |
| TM8V080C16MP11 | CF/CM/CU60C | 0.99 | 0.96 | 0.91 |
| TM8V080C16MP11 | CF/CM/CU60D | 0.99 | 0.96 | 0.91 |
| TM8V080C16MP11 | CF/CM64D    | 1.01 | 1.01 | 0.93 |
| TM8V100C16MP11 | CF/CM/CU48C | 0.99 | 0.96 | 0.93 |
| TM8V100C16MP11 | CF/CM/CU48D | 1.01 | 0.98 | 0.95 |
| TM8V100C16MP11 | CF/CM/CU60C | 0.99 | 0.96 | 0.91 |
| TM8V100C16MP11 | CF/CM/CU60D | 0.99 | 0.96 | 0.91 |
| TM8V100C16MP11 | CF/CM64D    | 1.01 | 1.01 | 0.93 |
| TM8V100C20MP11 | CF/CM/CU48C | 0.99 | 0.96 | 0.93 |
| TM8V100C20MP11 | CF/CM/CU48D | 1.01 | 1.04 | 0.93 |
| TM8V100C20MP11 | CF/CM/CU60C | 1.00 | 0.99 | 0.92 |
| TM8V100C20MP11 | CF/CM/CU60D | 0.99 | 0.96 | 0.93 |
| TM8V100C20MP11 | CF/CM64D    | 1.00 | 1.01 | 0.94 |
| TM8V120C20MP11 | CF/CM/CU48C | 0.99 | 0.96 | 0.93 |
| TM8V120C20MP11 | CF/CM/CU48D | 1.01 | 1.04 | 0.93 |

**FURNACE MULTIPLIERS- 4 TON (Continued)**

| Furnaces       | Coil        | T.C. | S.C. | KW   |
|----------------|-------------|------|------|------|
| TM8V120C20MP11 | CF/CM/CU60C | 1.00 | 0.99 | 0.92 |
| TM8V120C20MP11 | CF/CM/CU60D | 0.99 | 0.96 | 0.93 |
| TM8V120C20MP11 | CF/CM64D    | 1.00 | 1.01 | 0.94 |
| TM8X080C16MP11 | CF/CM/CU48C | 1.00 | 1.01 | 0.96 |
| TM8X080C16MP11 | CF/CM/CU48D | 1.00 | 0.99 | 0.94 |
| TM8X080C16MP11 | CF/CM/CU60C | 1.00 | 0.99 | 0.94 |
| TM8X080C16MP11 | CF/CM/CU60D | 1.00 | 0.99 | 0.94 |
| TM8X080C16MP11 | CF/CM64D    | 1.00 | 0.99 | 0.92 |
| TM8X100C16MP11 | CF/CM/CU48C | 1.00 | 1.01 | 0.96 |
| TM8X100C16MP11 | CF/CM/CU48D | 1.00 | 0.99 | 0.94 |
| TM8X100C16MP11 | CF/CM/CU60C | 1.00 | 0.99 | 0.94 |
| TM8X100C16MP11 | CF/CM/CU60D | 1.00 | 0.99 | 0.94 |
| TM8X100C16MP11 | CF/CM64D    | 1.00 | 0.99 | 0.92 |
| TM8X100C20MP11 | CF/CM/CU48C | 0.99 | 0.98 | 0.93 |
| TM8X100C20MP11 | CF/CM/CU48D | 0.99 | 0.96 | 0.91 |
| TM8X100C20MP11 | CF/CM/CU60C | 1.00 | 1.02 | 0.92 |
| TM8X100C20MP11 | CF/CM/CU60D | 1.01 | 1.02 | 0.93 |
| TM8X100C20MP11 | CF/CM64D    | 1.00 | 1.01 | 0.92 |
| TM8X120C20MP11 | CF/CM/CU48C | 0.99 | 0.98 | 0.93 |
| TM8X120C20MP11 | CF/CM/CU48D | 0.99 | 0.96 | 0.91 |
| TM8X120C20MP11 | CF/CM/CU60C | 1.00 | 1.02 | 0.92 |
| TM8X120C20MP11 | CF/CM/CU60D | 1.01 | 1.02 | 0.93 |
| TM8X120C20MP11 | CF/CM64D    | 1.00 | 1.01 | 0.92 |
| TM8Y080C16MP11 | CF/CM/CU48C | 1.00 | 1.01 | 0.96 |
| TM8Y080C16MP11 | CF/CM/CU48D | 1.00 | 0.99 | 0.94 |
| TM8Y080C16MP11 | CF/CM/CU60C | 1.00 | 0.99 | 0.94 |
| TM8Y080C16MP11 | CF/CM/CU60D | 1.00 | 0.99 | 0.94 |
| TM8Y080C16MP11 | CF/CM64D    | 1.00 | 0.99 | 0.92 |
| TM8Y100C16MP11 | CF/CM/CU48C | 1.00 | 1.01 | 0.96 |
| TM8Y100C16MP11 | CF/CM/CU48D | 1.00 | 0.99 | 0.94 |
| TM8Y100C16MP11 | CF/CM/CU60C | 1.00 | 0.99 | 0.94 |
| TM8Y100C16MP11 | CF/CM/CU60D | 1.00 | 0.99 | 0.94 |
| TM8Y100C16MP11 | CF/CM64D    | 1.00 | 0.99 | 0.92 |
| TM8Y100C20MP11 | CF/CM/CU48C | 0.99 | 0.98 | 0.93 |
| TM8Y100C20MP11 | CF/CM/CU48D | 0.99 | 0.96 | 0.91 |
| TM8Y100C20MP11 | CF/CM/CU60C | 1.00 | 1.02 | 0.92 |
| TM8Y100C20MP11 | CF/CM/CU60D | 1.01 | 1.02 | 0.93 |
| TM8Y100C20MP11 | CF/CM64D    | 1.00 | 1.01 | 0.92 |
| TM8Y120C20MP11 | CF/CM/CU48C | 0.99 | 0.98 | 0.93 |
| TM8Y120C20MP11 | CF/CM/CU48D | 0.99 | 0.96 | 0.91 |
| TM8Y120C20MP11 | CF/CM/CU60C | 1.00 | 1.02 | 0.92 |
| TM8Y120C20MP11 | CF/CM/CU60D | 1.01 | 1.02 | 0.93 |
| TM8Y120C20MP11 | CF/CM64D    | 1.00 | 1.01 | 0.92 |
| TM9E080C16MP11 | CF/CM/CU48C | 0.98 | 0.95 | 0.94 |
| TM9E080C16MP11 | CF/CM/CU48D | 0.98 | 0.95 | 0.94 |
| TM9E080C16MP11 | CF/CM/CU60C | 1.00 | 0.98 | 0.94 |
| TM9E080C16MP11 | CF/CM/CU60D | 0.99 | 0.96 | 0.93 |
| TM9E080C16MP11 | CF/CM64D    | 0.99 | 0.95 | 0.93 |
| TM9E100C16MP11 | CF/CM/CU48C | 0.98 | 0.95 | 0.94 |
| TM9E100C16MP11 | CF/CM/CU48D | 0.98 | 0.95 | 0.94 |
| TM9E100C16MP11 | CF/CM/CU60C | 1.00 | 0.98 | 0.94 |
| TM9E100C16MP11 | CF/CM/CU60D | 0.99 | 0.96 | 0.93 |

## FURNACE MULTIPLIERS- 4 TON (Continued)

| Furnaces       | Coil        | T.C. | S.C. | KW   |
|----------------|-------------|------|------|------|
| TM9E100C16MP11 | CF/CM64D    | 0.99 | 0.95 | 0.93 |
| TM9E100C20MP11 | CF/CM/CU48C | 0.99 | 0.99 | 0.93 |
| TM9E100C20MP11 | CF/CM/CU48D | 1.00 | 0.99 | 0.94 |
| TM9E100C20MP11 | CF/CM/CU60C | 1.00 | 0.99 | 0.94 |
| TM9E100C20MP11 | CF/CM/CU60D | 1.00 | 1.02 | 0.92 |
| TM9E100C20MP11 | CF/CM64D    | 1.00 | 0.99 | 0.92 |
| TM9E120D20MP11 | CF/CM/CU48D | 0.99 | 0.98 | 0.93 |
| TM9E120D20MP11 | CF/CM/CU60D | 0.99 | 0.99 | 0.91 |
| TM9E120D20MP11 | CF/CM64D    | 0.99 | 0.99 | 0.91 |
| TM9V080C16MP11 | CF/CM/CU48C | 1.01 | 1.01 | 0.95 |
| TM9V080C16MP11 | CF/CM/CU48D | 0.99 | 0.98 | 0.91 |
| TM9V080C16MP11 | CF/CM/CU60C | 0.98 | 0.96 | 0.92 |
| TM9V080C16MP11 | CF/CM/CU60D | 0.99 | 0.99 | 0.93 |
| TM9V080C16MP11 | CF/CM64D    | 0.98 | 0.95 | 0.90 |
| TM9V100C16MP11 | CF/CM/CU48C | 1.01 | 1.01 | 0.95 |
| TM9V100C16MP11 | CF/CM/CU48D | 0.99 | 0.98 | 0.91 |
| TM9V100C16MP11 | CF/CM/CU60C | 0.98 | 0.96 | 0.92 |
| TM9V100C16MP11 | CF/CM/CU60D | 0.99 | 0.99 | 0.93 |
| TM9V100C16MP11 | CF/CM64D    | 0.98 | 0.95 | 0.90 |
| TM9V100C20MP11 | CF/CM/CU48C | 1.01 | 1.01 | 0.97 |
| TM9V100C20MP11 | CF/CM/CU48D | 1.01 | 0.98 | 0.93 |
| TM9V100C20MP11 | CF/CM/CU60C | 1.01 | 1.04 | 0.97 |
| TM9V100C20MP11 | CF/CM/CU60D | 0.98 | 0.95 | 0.92 |
| TM9V100C20MP11 | CF/CM64D    | 0.98 | 0.95 | 0.90 |
| TM9V120D20MP11 | CF/CM/CU48D | 0.98 | 0.95 | 0.92 |
| TM9V120D20MP11 | CF/CM/CU60D | 0.98 | 0.95 | 0.90 |
| TM9V120D20MP11 | CF/CM64D    | 1.01 | 1.04 | 0.95 |
| TM9Y080C16MP11 | CF/CM/CU48C | 0.98 | 0.95 | 0.94 |
| TM9Y080C16MP11 | CF/CM/CU48D | 0.98 | 0.95 | 0.94 |
| TM9Y080C16MP11 | CF/CM/CU60C | 1.00 | 0.98 | 0.94 |
| TM9Y080C16MP11 | CF/CM/CU60D | 0.99 | 0.96 | 0.93 |
| TM9Y080C16MP11 | CF/CM64D    | 0.99 | 0.95 | 0.93 |
| TM9Y100C16MP11 | CF/CM/CU48C | 0.98 | 0.95 | 0.94 |
| TM9Y100C16MP11 | CF/CM/CU48D | 0.98 | 0.95 | 0.94 |
| TM9Y100C16MP11 | CF/CM/CU60C | 1.00 | 0.98 | 0.94 |
| TM9Y100C16MP11 | CF/CM/CU60D | 0.99 | 0.96 | 0.93 |
| TM9Y100C16MP11 | CF/CM64D    | 0.99 | 0.95 | 0.93 |
| TM9Y100C20MP11 | CF/CM/CU48C | 0.99 | 0.99 | 0.93 |
| TM9Y100C20MP11 | CF/CM/CU48D | 1.00 | 0.99 | 0.94 |
| TM9Y100C20MP11 | CF/CM/CU60C | 1.00 | 0.99 | 0.94 |
| TM9Y100C20MP11 | CF/CM/CU60D | 1.00 | 1.02 | 0.92 |
| TM9Y100C20MP11 | CF/CM64D    | 1.00 | 0.99 | 0.92 |
| TM9Y120D20MP11 | CF/CM/CU48D | 0.99 | 0.98 | 0.93 |
| TM9Y120D20MP11 | CF/CM/CU60D | 0.99 | 0.99 | 0.91 |
| TM9Y120D20MP11 | CF/CM64D    | 0.99 | 0.99 | 0.91 |
| TMLV080C16MP11 | CF/CM/CU48C | 0.99 | 0.96 | 0.93 |
| TMLV080C16MP11 | CF/CM/CU48D | 1.01 | 0.98 | 0.95 |
| TMLV080C16MP11 | CF/CM/CU60C | 0.99 | 0.96 | 0.91 |
| TMLV080C16MP11 | CF/CM/CU60D | 0.99 | 0.96 | 0.91 |
| TMLV080C16MP11 | CF/CM64D    | 1.01 | 1.01 | 0.93 |
| TMLV100C16MP11 | CF/CM/CU48C | 0.99 | 0.96 | 0.93 |
| TMLV100C16MP11 | CF/CM/CU48D | 1.01 | 0.98 | 0.95 |

## FURNACE MULTIPLIERS- 4 TON (Continued)

| Furnaces       | Coil        | T.C. | S.C. | KW   |
|----------------|-------------|------|------|------|
| TMLV100C16MP11 | CF/CM/CU60C | 0.99 | 0.96 | 0.91 |
| TMLV100C16MP11 | CF/CM/CU60D | 0.99 | 0.96 | 0.91 |
| TMLV100C16MP11 | CF/CM64D    | 1.01 | 1.01 | 0.93 |
| TMLV100C20MP11 | CF/CM/CU48C | 0.99 | 0.96 | 0.93 |
| TMLV100C20MP11 | CF/CM/CU48D | 1.01 | 1.04 | 0.93 |
| TMLV100C20MP11 | CF/CM/CU60C | 1.00 | 0.99 | 0.92 |
| TMLV100C20MP11 | CF/CM/CU60D | 0.99 | 0.96 | 0.93 |
| TMLV100C20MP11 | CF/CM64D    | 1.00 | 1.01 | 0.94 |
| TMLV120C20MP11 | CF/CM/CU48C | 0.99 | 0.96 | 0.93 |
| TMLV120C20MP11 | CF/CM/CU48D | 1.01 | 1.04 | 0.93 |
| TMLV120C20MP11 | CF/CM/CU60C | 1.00 | 0.99 | 0.92 |
| TMLV120C20MP11 | CF/CM/CU60D | 0.99 | 0.96 | 0.93 |
| TMLV120C20MP11 | CF/CM64D    | 1.00 | 1.01 | 0.94 |
| TMLX080C16MP11 | CF/CM/CU48C | 1.00 | 1.01 | 0.96 |
| TMLX080C16MP11 | CF/CM/CU48D | 1.00 | 0.99 | 0.94 |
| TMLX080C16MP11 | CF/CM/CU60C | 1.00 | 0.99 | 0.94 |
| TMLX080C16MP11 | CF/CM/CU60D | 1.00 | 0.99 | 0.94 |
| TMLX080C16MP11 | CF/CM64D    | 1.00 | 0.99 | 0.92 |
| TMLX100C16MP11 | CF/CM/CU48C | 1.00 | 1.01 | 0.96 |
| TMLX100C16MP11 | CF/CM/CU48D | 1.00 | 0.99 | 0.94 |
| TMLX100C16MP11 | CF/CM/CU60C | 1.00 | 0.99 | 0.94 |
| TMLX100C16MP11 | CF/CM/CU60D | 1.00 | 0.99 | 0.94 |
| TMLX100C16MP11 | CF/CM64D    | 1.00 | 0.99 | 0.92 |
| TMLX100C20MP11 | CF/CM/CU48C | 0.99 | 0.98 | 0.93 |
| TMLX100C20MP11 | CF/CM/CU48D | 0.99 | 0.96 | 0.91 |
| TMLX100C20MP11 | CF/CM/CU60C | 1.00 | 1.02 | 0.92 |
| TMLX100C20MP11 | CF/CM/CU60D | 1.01 | 1.02 | 0.93 |
| TMLX100C20MP11 | CF/CM64D    | 1.00 | 1.01 | 0.92 |
| TMLX120C20MP11 | CF/CM/CU48C | 0.99 | 0.98 | 0.93 |
| TMLX120C20MP11 | CF/CM/CU48D | 0.99 | 0.96 | 0.91 |
| TMLX120C20MP11 | CF/CM/CU60C | 1.00 | 1.02 | 0.92 |
| TMLX120C20MP11 | CF/CM/CU60D | 1.01 | 1.02 | 0.93 |
| TMLX120C20MP11 | CF/CM64D    | 1.00 | 1.01 | 0.92 |
| TP9C080C16MP12 | CF/CM/CU48C | 1.01 | 1.01 | 0.95 |
| TP9C080C16MP12 | CF/CM/CU48D | 0.99 | 0.98 | 0.91 |
| TP9C080C16MP12 | CF/CM/CU60C | 0.98 | 0.96 | 0.92 |
| TP9C080C16MP12 | CF/CM/CU60D | 0.99 | 0.99 | 0.93 |
| TP9C080C16MP12 | CF/CM64D    | 0.98 | 0.95 | 0.90 |
| TP9C100C16MP12 | CF/CM/CU48C | 1.01 | 1.01 | 0.95 |
| TP9C100C16MP12 | CF/CM/CU48D | 0.99 | 0.98 | 0.91 |
| TP9C100C16MP12 | CF/CM/CU60C | 0.98 | 0.96 | 0.92 |
| TP9C100C16MP12 | CF/CM/CU60D | 0.99 | 0.99 | 0.93 |
| TP9C100C16MP12 | CF/CM64D    | 0.98 | 0.95 | 0.90 |
| TP9C100C20MP12 | CF/CM/CU48C | 1.01 | 1.01 | 0.97 |
| TP9C100C20MP12 | CF/CM/CU48D | 1.01 | 0.98 | 0.93 |
| TP9C100C20MP12 | CF/CM/CU60C | 1.01 | 1.04 | 0.97 |
| TP9C100C20MP12 | CF/CM/CU60D | 0.98 | 0.95 | 0.92 |
| TP9C100C20MP12 | CF/CM64D    | 0.98 | 0.95 | 0.90 |
| TP9C120D20MP12 | CF/CM/CU48D | 0.98 | 0.95 | 0.92 |
| TP9C120D20MP12 | CF/CM/CU60D | 0.98 | 0.95 | 0.90 |
| TP9C120D20MP12 | CF/CM64D    | 1.01 | 1.04 | 0.95 |
| TPLC080C16MP12 | CF/CM/CU48C | 0.99 | 0.96 | 0.93 |

**FURNACE MULTIPLIERS- 4 TON (Continued)**

| Furnaces       | Coil        | T.C. | S.C. | KW   |
|----------------|-------------|------|------|------|
| TPLC080C16MP12 | CF/CM/CU48D | 1.01 | 0.98 | 0.95 |
| TPLC080C16MP12 | CF/CM/CU60C | 0.99 | 0.96 | 0.91 |
| TPLC080C16MP12 | CF/CM/CU60D | 0.99 | 0.96 | 0.91 |
| TPLC080C16MP12 | CF/CM64D    | 1.01 | 1.01 | 0.93 |
| TPLC100C16MP12 | CF/CM/CU48C | 0.99 | 0.96 | 0.93 |
| TPLC100C16MP12 | CF/CM/CU48D | 1.01 | 0.98 | 0.95 |
| TPLC100C16MP12 | CF/CM/CU60C | 0.99 | 0.96 | 0.91 |
| TPLC100C16MP12 | CF/CM/CU60D | 0.99 | 0.96 | 0.91 |
| TPLC100C16MP12 | CF/CM64D    | 1.01 | 1.01 | 0.93 |
| TPLC100C20MP12 | CF/CM/CU48C | 0.99 | 0.96 | 0.93 |
| TPLC100C20MP12 | CF/CM/CU48D | 1.01 | 1.04 | 0.93 |
| TPLC100C20MP12 | CF/CM/CU60C | 1.00 | 0.99 | 0.92 |
| TPLC100C20MP12 | CF/CM/CU60D | 0.99 | 0.96 | 0.93 |
| TPLC100C20MP12 | CF/CM64D    | 1.00 | 1.01 | 0.94 |
| TPLC120C20MP12 | CF/CM/CU48C | 0.99 | 0.96 | 0.93 |
| TPLC120C20MP12 | CF/CM/CU48D | 1.01 | 1.04 | 0.93 |
| TPLC120C20MP12 | CF/CM/CU60C | 1.00 | 0.99 | 0.92 |
| TPLC120C20MP12 | CF/CM/CU60D | 0.99 | 0.96 | 0.93 |
| TPLC120C20MP12 | CF/CM64D    | 1.00 | 1.01 | 0.94 |
| YP9C080C16MP12 | CF/CM/CU48C | 1.01 | 1.01 | 0.95 |
| YP9C080C16MP12 | CF/CM/CU48D | 0.99 | 0.98 | 0.91 |
| YP9C080C16MP12 | CF/CM/CU60C | 0.98 | 0.96 | 0.92 |
| YP9C080C16MP12 | CF/CM/CU60D | 0.99 | 0.99 | 0.93 |
| YP9C080C16MP12 | CF/CM64D    | 0.98 | 0.95 | 0.90 |
| YP9C100C16MP12 | CF/CM/CU48C | 1.01 | 1.01 | 0.95 |
| YP9C100C16MP12 | CF/CM/CU48D | 0.99 | 0.98 | 0.91 |
| YP9C100C16MP12 | CF/CM/CU60C | 0.98 | 0.96 | 0.92 |
| YP9C100C16MP12 | CF/CM/CU60D | 0.99 | 0.99 | 0.93 |
| YP9C100C16MP12 | CF/CM64D    | 0.98 | 0.95 | 0.90 |
| YP9C100C20MP12 | CF/CM/CU48C | 1.01 | 1.01 | 0.97 |

**FURNACE MULTIPLIERS- 4 TON (Continued)**

| Furnaces       | Coil        | T.C. | S.C. | KW   |
|----------------|-------------|------|------|------|
| YP9C100C20MP12 | CF/CM/CU48D | 1.01 | 0.98 | 0.93 |
| YP9C100C20MP12 | CF/CM/CU60C | 1.01 | 1.04 | 0.97 |
| YP9C100C20MP12 | CF/CM/CU60D | 0.98 | 0.95 | 0.92 |
| YP9C100C20MP12 | CF/CM64D    | 0.98 | 0.95 | 0.90 |
| YP9C120D20MP12 | CF/CM/CU48D | 0.98 | 0.95 | 0.92 |
| YP9C120D20MP12 | CF/CM/CU60D | 0.98 | 0.95 | 0.90 |
| YP9C120D20MP12 | CF/CM64D    | 1.01 | 1.04 | 0.95 |
| YPLC080C16MP12 | CF/CM/CU48C | 0.99 | 0.96 | 0.93 |
| YPLC080C16MP12 | CF/CM/CU48D | 1.01 | 0.98 | 0.95 |
| YPLC080C16MP12 | CF/CM/CU60C | 0.99 | 0.96 | 0.91 |
| YPLC080C16MP12 | CF/CM/CU60D | 0.99 | 0.96 | 0.91 |
| YPLC080C16MP12 | CF/CM64D    | 1.01 | 1.01 | 0.93 |
| YPLC100C16MP12 | CF/CM/CU48C | 0.99 | 0.96 | 0.93 |
| YPLC100C16MP12 | CF/CM/CU48D | 1.01 | 0.98 | 0.95 |
| YPLC100C16MP12 | CF/CM/CU60C | 0.99 | 0.96 | 0.91 |
| YPLC100C16MP12 | CF/CM/CU60D | 0.99 | 0.96 | 0.91 |
| YPLC100C16MP12 | CF/CM64D    | 1.01 | 1.01 | 0.93 |
| YPLC100C20MP12 | CF/CM/CU48C | 0.99 | 0.96 | 0.93 |
| YPLC100C20MP12 | CF/CM/CU48D | 1.01 | 1.04 | 0.93 |
| YPLC100C20MP12 | CF/CM/CU60C | 1.00 | 0.99 | 0.92 |
| YPLC100C20MP12 | CF/CM/CU60D | 0.99 | 0.96 | 0.93 |
| YPLC100C20MP12 | CF/CM64D    | 1.00 | 1.01 | 0.94 |
| YPLC120C20MP12 | CF/CM/CU48C | 0.99 | 0.96 | 0.93 |
| YPLC120C20MP12 | CF/CM/CU48D | 1.01 | 1.04 | 0.93 |
| YPLC120C20MP12 | CF/CM/CU60C | 1.00 | 0.99 | 0.92 |
| YPLC120C20MP12 | CF/CM/CU60D | 0.99 | 0.96 | 0.93 |
| YPLC120C20MP12 | CF/CM64D    | 1.00 | 1.01 | 0.94 |

## PERFORMANCE DATA - 5 TON

| CONDENSER-ONLY DATA (OUTDOOR UNIT) |                                   |          |                             |      |       |      |       |      |       |      |       |      |        |      |        |      |        |      |
|------------------------------------|-----------------------------------|----------|-----------------------------|------|-------|------|-------|------|-------|------|-------|------|--------|------|--------|------|--------|------|
| MODEL                              | SATURATED SUCTION<br>@ COMPRESSOR |          | Outdoor Ambient Temperature |      |       |      |       |      |       |      |       |      |        |      |        |      |        |      |
|                                    |                                   |          | 55 °F                       |      | 65 °F |      | 75 °F |      | 85 °F |      | 95 °F |      | 105 °F |      | 115 °F |      | 125 °F |      |
|                                    | T (°F)                            | P (PSIG) | MBH                         | KW   | MBH   | KW   | MBH   | KW   | MBH   | KW   | MBH   | KW   | MBH    | KW   | MBH    | KW   | MBH    | KW   |
| YCE60B21S                          | 35                                | 107      | 61.4                        | 2.72 | 58.5  | 2.99 | 55.5  | 3.32 | 52.5  | 3.70 | 49.3  | 4.16 | 46.0   | 4.70 | 42.3   | 5.30 | 38.4   | 6.00 |
|                                    | 40                                | 118      | 67.5                        | 2.73 | 64.3  | 3.00 | 61.1  | 3.33 | 57.8  | 3.71 | 54.4  | 4.17 | 50.7   | 4.70 | 46.9   | 5.31 | 42.7   | 6.00 |
|                                    | 45                                | 130      | 73.9                        | 2.74 | 70.5  | 3.01 | 67.1  | 3.34 | 63.5  | 3.72 | 59.8  | 4.17 | 55.8   | 4.71 | 51.7   | 5.32 | 47.2   | 5.99 |
|                                    | 50                                | 142      | 80.8                        | 2.75 | 77.0  | 3.03 | 73.3  | 3.35 | 69.5  | 3.73 | 65.6  | 4.17 | 61.3   | 4.72 | 56.8   | 5.33 | 52.1   | 5.99 |
|                                    | 55                                | 156      | 88.2                        | 2.76 | 84.1  | 3.04 | 80.0  | 3.37 | 75.8  | 3.76 | 71.6  | 4.19 | 67.1   | 4.73 | 62.3   | 5.34 | 57.3   | 5.99 |

## Notes:

- For Outdoor Unit (Condenser) performance only. Data does not include the effects of air handler power or heat.
- Performance based on 15°F subcooling and 15°F superheat at the Outdoor Unit base valves.
  - Increase capacity by 1% for each 2°F increase in subcooling.
  - Decrease capacity by 1% for each 2°F decrease in subcooling.
- Maximum recommended condensing temperature is 140°F.

| COOLING PERFORMANCE DATA                   |            |           |      |      |      |      |      |      |      |      |      |      |      |      |      |      |    |
|--------------------------------------------|------------|-----------|------|------|------|------|------|------|------|------|------|------|------|------|------|------|----|
| OUTDOOR UNIT MODEL NO.                     |            | YCE60B21S |      |      |      |      |      |      |      |      |      |      |      |      |      |      |    |
| INDOOR COIL MODEL NO.                      |            | CF60CXA1  |      |      |      |      |      |      |      |      |      |      |      |      |      |      |    |
| AIR TEMP.<br>ENTERING<br>OUTDOOR UNIT (°F) | ID CFM     | 1535      |      |      |      |      | 1735 |      |      |      |      | 1935 |      |      |      |      |    |
|                                            | ID DB (°F) | 80        | 80   | 75   | 80   | 80   | 80   | 80   | 75   | 80   | 80   | 80   | 80   | 80   | 75   | 80   | 80 |
|                                            | ID WB (°F) | 57        | 62   | 62   | 67   | 72   | 57   | 62   | 62   | 67   | 72   | 57   | 62   | 62   | 67   | 72   | 57 |
| 55                                         | T.C.       | 55.3      | 58.7 | 59.6 | 63.7 | 66.8 | 57.5 | 59.6 | 60.2 | 64.3 | 67.1 | 59.7 | 60.5 | 60.7 | 65.0 | 67.5 |    |
|                                            | S.C.       | 55.3      | 49.6 | 44.3 | 43.0 | 33.6 | 57.5 | 52.4 | 46.2 | 44.3 | 34.5 | 59.7 | 55.2 | 48.1 | 45.7 | 35.4 |    |
|                                            | KW         | 3.10      | 3.14 | 3.13 | 3.15 | 3.17 | 3.19 | 3.22 | 3.21 | 3.24 | 3.25 | 3.27 | 3.30 | 3.29 | 3.32 | 3.33 |    |
| 65                                         | T.C.       | 54.1      | 57.2 | 57.2 | 62.0 | 65.7 | 56.1 | 58.2 | 58.0 | 62.9 | 66.4 | 58.0 | 59.1 | 58.9 | 63.8 | 67.1 |    |
|                                            | S.C.       | 54.1      | 49.2 | 42.6 | 41.9 | 33.0 | 56.1 | 52.1 | 44.9 | 43.7 | 34.1 | 58.0 | 54.9 | 47.2 | 45.5 | 35.1 |    |
|                                            | KW         | 3.43      | 3.46 | 3.45 | 3.47 | 3.48 | 3.51 | 3.54 | 3.53 | 3.55 | 3.56 | 3.59 | 3.62 | 3.61 | 3.63 | 3.64 |    |
| 75                                         | T.C.       | 52.9      | 55.6 | 54.7 | 60.3 | 64.7 | 54.6 | 56.7 | 55.9 | 61.5 | 65.7 | 56.4 | 57.8 | 57.1 | 62.6 | 66.8 |    |
|                                            | S.C.       | 52.9      | 48.9 | 40.9 | 40.9 | 32.5 | 54.6 | 51.7 | 43.6 | 43.2 | 33.7 | 56.4 | 54.6 | 46.3 | 45.4 | 34.8 |    |
|                                            | KW         | 3.76      | 3.78 | 3.77 | 3.78 | 3.78 | 3.84 | 3.86 | 3.85 | 3.86 | 3.86 | 3.91 | 3.93 | 3.92 | 3.94 | 3.94 |    |
| 85                                         | T.C.       | 50.4      | 53.2 | 52.1 | 57.9 | 62.4 | 52.1 | 54.2 | 53.4 | 58.7 | 63.3 | 53.7 | 55.1 | 54.7 | 59.6 | 64.1 |    |
|                                            | S.C.       | 50.4      | 47.4 | 39.6 | 39.9 | 31.5 | 52.1 | 50.2 | 42.3 | 42.1 | 32.6 | 53.7 | 52.9 | 45.0 | 44.2 | 33.8 |    |
|                                            | KW         | 4.22      | 4.25 | 4.25 | 4.24 | 4.23 | 4.30 | 4.32 | 4.31 | 4.31 | 4.30 | 4.37 | 4.39 | 4.38 | 4.39 | 4.38 |    |
| 95                                         | T.C.       | 47.9      | 50.8 | 49.6 | 55.4 | 60.2 | 49.5 | 51.6 | 50.9 | 56.0 | 60.8 | 51.1 | 52.5 | 52.3 | 56.6 | 61.4 |    |
|                                            | S.C.       | 47.9      | 46.0 | 38.3 | 38.9 | 30.5 | 49.5 | 48.6 | 41.0 | 41.0 | 31.6 | 51.1 | 51.2 | 43.7 | 43.1 | 32.7 |    |
|                                            | KW         | 4.69      | 4.71 | 4.72 | 4.70 | 4.67 | 4.75 | 4.78 | 4.78 | 4.77 | 4.75 | 4.82 | 4.84 | 4.84 | 4.83 | 4.82 |    |
| 105                                        | T.C.       | 46.0      | 47.7 | 46.1 | 52.4 | 57.0 | 47.5 | 48.6 | 47.5 | 53.0 | 57.4 | 49.0 | 49.6 | 48.8 | 53.6 | 57.8 |    |
|                                            | S.C.       | 46.0      | 44.5 | 36.4 | 37.6 | 29.1 | 47.5 | 46.9 | 39.0 | 39.7 | 30.2 | 49.0 | 49.3 | 41.7 | 41.8 | 31.4 |    |
|                                            | KW         | 5.49      | 5.51 | 5.51 | 5.47 | 5.41 | 5.52 | 5.56 | 5.57 | 5.53 | 5.48 | 5.56 | 5.61 | 5.63 | 5.58 | 5.56 |    |
| 115                                        | T.C.       | 44.1      | 44.7 | 42.8 | 49.5 | 53.8 | 45.5 | 45.7 | 44.1 | 50.1 | 54.0 | 46.9 | 46.7 | 45.4 | 50.7 | 54.2 |    |
|                                            | S.C.       | 44.1      | 43.0 | 34.6 | 36.3 | 27.7 | 45.5 | 45.3 | 37.1 | 38.4 | 28.9 | 46.9 | 46.7 | 39.7 | 40.5 | 30.0 |    |
|                                            | KW         | 6.26      | 6.29 | 6.28 | 6.22 | 6.13 | 6.27 | 6.32 | 6.34 | 6.26 | 6.20 | 6.28 | 6.36 | 6.39 | 6.31 | 6.28 |    |
| 125                                        | T.C.       | 42.3      | 41.8 | 39.4 | 46.5 | 50.7 | 43.6 | 42.8 | 40.7 | 47.2 | 50.7 | 44.9 | 43.9 | 42.0 | 47.8 | 50.7 |    |
|                                            | S.C.       | 42.3      | 41.6 | 32.7 | 35.0 | 26.4 | 43.6 | 42.8 | 35.2 | 37.1 | 27.5 | 44.9 | 43.9 | 37.8 | 39.3 | 28.7 |    |
|                                            | KW         | 7.03      | 7.07 | 7.05 | 6.96 | 6.84 | 7.02 | 7.08 | 7.10 | 7.00 | 6.92 | 7.00 | 7.10 | 7.15 | 7.04 | 7.00 |    |

ALL CAPACITIES INCLUDE INDOOR FAN HEAT. KW VALUES ARE FOR THE SYSTEM (OUTDOOR + INDOOR).

Green shaded cells are ACCA (TVA) conditions.

Blue shaded cells are AHRI conditions.

## Multipliers for determining the performance with other indoor sections.

**NOTE:** For dry bulb temperatures different than those listed (between 73-87 °F), sensible capacity increases by 1060 BTUH per 1000 CFM per degree above the listed temperature and decreases by 1060 BTUH per 1000 CFM per degree below the listed temperature.

**COIL MULTIPLIERS- 5 TON**

| Air Handler | Coil        | T.C. | S.C. | KW   |
|-------------|-------------|------|------|------|
| -           | CF/CM/CU60C | 1.00 | 1.00 | 1.00 |
| -           | CF/CM/CU60D | 1.00 | 1.00 | 1.00 |
| -           | CF/CM64D    | 1.02 | 1.02 | 1.02 |
| AE60CX21    | -           | 1.00 | 0.98 | 0.98 |
| AE60DX21    | -           | 1.03 | 1.02 | 0.98 |
| AVC60CX21   | -           | 1.01 | 1.01 | 0.99 |
| AVC60DX21   | -           | 1.03 | 1.00 | 0.98 |
| ME16CN21    | CF/CM60C    | 1.00 | 0.98 | 0.96 |
| ME20DN21    | CF/CM60D    | 1.01 | 0.98 | 0.97 |
| ME20DN21    | CF/CM64D    | 1.03 | 0.99 | 0.98 |
| MVC16CN21   | CF/CM60C    | 1.02 | 0.99 | 0.94 |
| MVC20DN21   | CF/CM60D    | 1.00 | 0.98 | 0.98 |
| MVC20DN21   | CF/CM64D    | 1.02 | 0.99 | 0.98 |

**FURNACE MULTIPLIERS- 5 TON**

| Furnaces       | Coil        | T.C. | S.C. | KW   |
|----------------|-------------|------|------|------|
| TM8V080C16MP11 | CF/CM64D    | 1.01 | 0.98 | 1.01 |
| TM8V100C16MP11 | CF/CM64D    | 1.01 | 0.98 | 1.01 |
| TM8V100C20MP11 | CF/CM/CU60D | 0.99 | 0.96 | 0.99 |
| TM8V120C20MP11 | CF/CM/CU60D | 0.99 | 0.96 | 0.99 |
| TM8X100C20MP11 | CF/CM/CU60C | 1.00 | 0.98 | 0.98 |
| TM8X100C20MP11 | CF/CM/CU60D | 1.00 | 0.98 | 0.98 |
| TM8X100C20MP11 | CF/CM64D    | 1.02 | 0.99 | 0.98 |
| TM8X120C20MP11 | CF/CM/CU60C | 1.00 | 0.98 | 0.98 |
| TM8X120C20MP11 | CF/CM/CU60D | 1.00 | 0.98 | 0.98 |
| TM8X120C20MP11 | CF/CM64D    | 1.02 | 0.99 | 0.98 |
| TM8Y100C20MP11 | CF/CM/CU60C | 1.00 | 0.98 | 0.98 |
| TM8Y100C20MP11 | CF/CM/CU60D | 1.00 | 0.98 | 0.98 |
| TM8Y100C20MP11 | CF/CM64D    | 1.02 | 0.99 | 0.98 |
| TM8Y120C20MP11 | CF/CM/CU60C | 1.00 | 0.98 | 0.98 |
| TM8Y120C20MP11 | CF/CM/CU60D | 1.00 | 0.98 | 0.98 |
| TM8Y120C20MP11 | CF/CM64D    | 1.02 | 0.99 | 0.98 |
| TM9E100C20MP11 | CF/CM/CU60D | 1.00 | 0.98 | 0.98 |
| TM9E120D20MP11 | CF/CM/CU60D | 1.00 | 0.98 | 0.98 |
| TM9V080C16MP11 | CF/CM/CU60C | 0.99 | 0.98 | 0.99 |
| TM9V080C16MP11 | CF/CM64D    | 1.02 | 0.99 | 1.00 |
| TM9V100C16MP11 | CF/CM/CU60C | 0.99 | 0.98 | 0.99 |
| TM9V100C16MP11 | CF/CM64D    | 1.02 | 0.99 | 1.00 |

**FURNACE MULTIPLIERS- 5 TON (Continued)**

| Furnaces       | Coil        | T.C. | S.C. | KW   |
|----------------|-------------|------|------|------|
| TM9V100C20MP11 | CF/CM64D    | 1.01 | 0.98 | 1.01 |
| TM9V120D20MP11 | CF/CM/CU60D | 1.01 | 1.01 | 1.01 |
| TM9V120D20MP11 | CF/CM64D    | 1.02 | 1.02 | 1.02 |
| TM9Y100C20MP11 | CF/CM/CU60D | 1.00 | 0.98 | 0.98 |
| TM9Y120D20MP11 | CF/CM/CU60D | 1.00 | 0.98 | 0.98 |
| TMLV080C16MP11 | CF/CM64D    | 1.01 | 0.98 | 1.01 |
| TMLV100C16MP11 | CF/CM64D    | 1.01 | 0.98 | 1.01 |
| TMLV100C20MP11 | CF/CM/CU60D | 0.99 | 0.96 | 0.99 |
| TMLV120C20MP11 | CF/CM/CU60D | 0.99 | 0.96 | 0.99 |
| TMLX100C20MP11 | CF/CM/CU60C | 1.00 | 0.98 | 0.98 |
| TMLX100C20MP11 | CF/CM/CU60D | 1.00 | 0.98 | 0.98 |
| TMLX100C20MP11 | CF/CM64D    | 1.02 | 0.99 | 0.98 |
| TMLX120C20MP11 | CF/CM/CU60C | 1.00 | 0.98 | 0.98 |
| TMLX120C20MP11 | CF/CM/CU60D | 1.00 | 0.98 | 0.98 |
| TMLX120C20MP11 | CF/CM64D    | 1.02 | 0.99 | 0.98 |
| TP9C080C16MP12 | CF/CM/CU60C | 0.99 | 0.98 | 0.99 |
| TP9C080C16MP12 | CF/CM64D    | 1.02 | 0.99 | 1.00 |
| TP9C100C16MP12 | CF/CM/CU60C | 0.99 | 0.98 | 0.99 |
| TP9C100C16MP12 | CF/CM64D    | 1.02 | 0.99 | 1.00 |
| TP9C100C20MP12 | CF/CM64D    | 1.01 | 0.98 | 1.01 |
| TP9C120D20MP12 | CF/CM/CU60D | 1.01 | 1.01 | 1.01 |
| TP9C120D20MP12 | CF/CM64D    | 1.02 | 1.02 | 1.02 |
| TPLC080C16MP12 | CF/CM64D    | 1.01 | 0.98 | 1.01 |
| TPLC100C16MP12 | CF/CM64D    | 1.01 | 0.98 | 1.01 |
| TPLC100C20MP12 | CF/CM/CU60D | 0.99 | 0.96 | 0.99 |
| TPLC120C20MP12 | CF/CM/CU60D | 0.99 | 0.96 | 0.99 |
| YP9C080C16MP12 | CF/CM/CU60C | 0.99 | 0.98 | 0.99 |
| YP9C080C16MP12 | CF/CM64D    | 1.02 | 0.99 | 1.00 |
| YP9C100C16MP12 | CF/CM/CU60C | 0.99 | 0.98 | 0.99 |
| YP9C100C16MP12 | CF/CM64D    | 1.02 | 0.99 | 1.00 |
| YP9C100C20MP12 | CF/CM64D    | 1.01 | 0.98 | 1.01 |
| YP9C120D20MP12 | CF/CM/CU60D | 1.01 | 1.01 | 1.01 |
| YP9C120D20MP12 | CF/CM64D    | 1.02 | 1.02 | 1.02 |
| YPLC080C16MP12 | CF/CM64D    | 1.01 | 0.98 | 1.01 |
| YPLC100C16MP12 | CF/CM64D    | 1.01 | 0.98 | 1.01 |
| YPLC100C20MP12 | CF/CM/CU60D | 0.99 | 0.96 | 0.99 |
| YPLC120C20MP12 | CF/CM/CU60D | 0.99 | 0.96 | 0.99 |