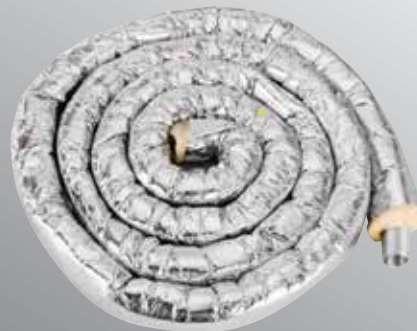
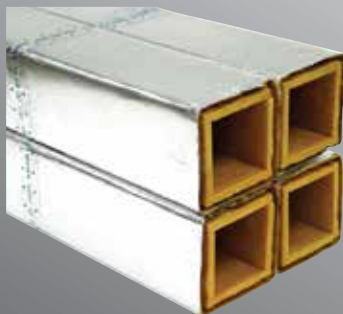
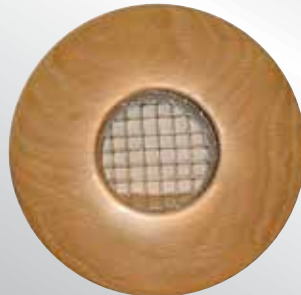


The Unico System®



National Trust for
Historic Preservation
Save the past. Enrich the future.

The Unico System®

UNICOSYSTEM.COM (800) 527-0896

Outlets are available in styles and finishes to match any décor.




The Unico System®

Comfort & Efficiency Fit For Your Home

OTHER HVAC COMPANIES REALLY DON'T WANT YOU TO CUT OUT THIS OUTLET.

That's because when you place it on your floor, ceiling, or wall, you will begin to understand the simplicity of adding Unico System air conditioning to your home. In addition to outlets that are barely noticeable, the Unico System's air handlers and flexible supply tubing fit simply above ceilings and below floors, which means no ugly soffits, no noisy registers, and virtually no need for remodeling in homes without ductwork. You will enjoy the efficient, comfortable surroundings found only with the industry-leading Unico System.

To find a Unico System installing contractor in your area, visit unicosystem.com/contractor or call (800) 527-0896



(Actual Size)

Introducing **iSERIES** The Unico System[®]

The first and only multi-split product that combines the best of ducted and ductless together.

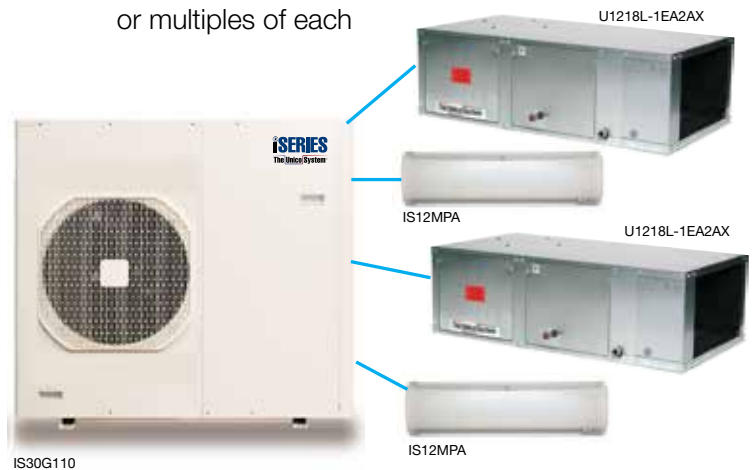
The iSeries allows you to combine the advantages of The Unico System — even temperatures, no drafts, better aesthetics — along with high wall units to help solve any design or construction challenge.

Here's how it works:

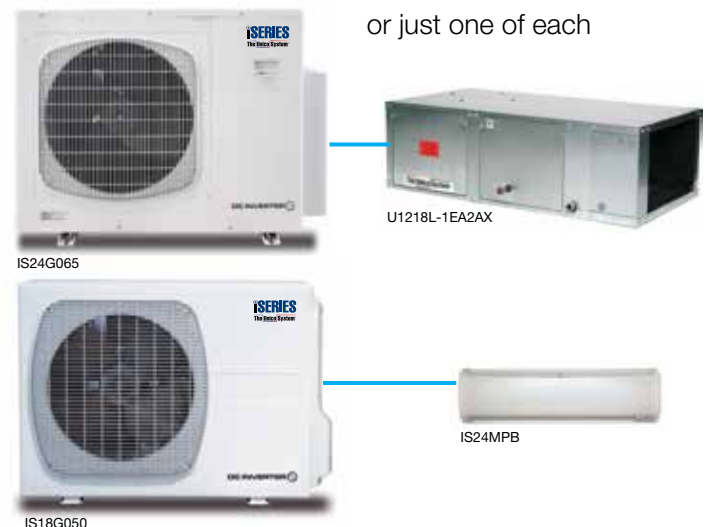
One outdoor unit can control both ducted and ductless indoor units



or multiples of each



or just one of each



iSeries

PART NO.	DESCRIPTION	QTY	CTN. DIMS (Inches)	SHIP WT. (Pounds)	List Price
Outdoor Units					
IS18G050	Outdoor Inverter Heat Pump Unit (1.5 Tons)	1	39x14x28	136	\$2,567
IS24G065	Outdoor Inverter Heat Pump Unit (2 Tons)	1	36x45x17	155	\$3,563
IS30G080	Outdoor Inverter Heat Pump Unit (2.5 Tons)	1	40x50x17	177	\$3,972
IS36G110	Outdoor Inverter Heat Pump Unit (3 Tons)	1	50x50x17	221	\$4,836
Indoor Units (Mini Split)					
IS12MPA	High Wall Unit (1 Ton)	1	11x32x9	18	\$852
IS24MPB	High Wall Unit (2 Ton)	1	12x40x10	27	\$1,204
Unico Units					
U1218L-1EA2AX	FCU, For iSeries with Heat Pump Coil, 230V	1	27x43x13	92	\$3,120
M2430BL1-EA2	Module, Blower with iSeries Inverter Control Board EC Motor 230V	1	29x16x20	62	\$2,105
M2430CL1-A	Module, Heat Pump Coil iSeries Inverter	1	29x16x20	60	\$1,380
M3036BL1-EA2	Module, Blower with iSeries Inverter Control Board EC Motor 230V	1	42x16x20	73	\$2,167
M3036CL1-A	Module, Heat Pump Coil iSeries Inverter	1	42x16x20	78	\$1,709
Accessories					
A01967-K01	Remote control Tstat with receiver (Includes remote, IR recvr, cable)	1	10x10x10	5	\$164
Replacement Parts					
A01834-G01	CB Assy, US, iSeries	1	15.5x6.5x5	6	\$900
A01854-G01	Harness, Wire, Extension, RAT	1	5x5x5	1	\$9
A01855-G01	Harness, Wire, Extension, ICT	1	5x5x5	1	\$8
A01862-K01	Kit, Sensors, Coil and Return Air Temperature, Argo	1	5x5x5	1	\$36
A01926-001	Remote Control, Iseries	1	10x10x11	1	\$28
A02008-G01	PCB, Expansion, 4V, DCI (G65/80/110)	1	5x5x5	1	\$84
A02009-G01	Wiring Harness, IndoorB, Boiler Changeover Jumper	1	5x5x5	1	\$1
A02010-K01	Kit, Adapter, iSeries, 3036	1	5x5x5	5	\$62
A02131-K01	Kit, Serial Programming & Diagnostics, iSeries	1	5x5x5	1	\$136
A02165-G02	PCB Assy, Main, IS24G065 w/heatsink	1	18x18x12	10	\$1,268
A02165-G03	PCB Assy, Main, IS30G080 w/heatsink	1	18x18x12	10	\$1,020
A02165-G04	PCB Assy, Main, IS36G110 w/heatsink	1	18x18x12	10	\$884



IS36G110
Outdoor Inverter Heat Pump Unit (3 tons)



M2430BL1-EA2
iSeries Blower



IS12MPA High Wall Unit (1 ton)



M2430 CL1-A
iSeries Heat Pump Coil

Vertical Air Handlers

PART NO.	DESCRIPTION	QTY	CTN. DIMS (Inches)	SHIP WT. (Pounds)	List Price
2430					
V2430B-1EC1BX	VERTICAL AIR HANDLER UNIT, 2430, 120V, 3 Row COIL, (AC) NO HWC	1	20x20x42	169	\$4,278
V2430B-1EC2BX	VERTICAL AIR HANDLER UNIT, 2430, 230V, 3 Row COIL, (AC) NO HWC	1	20x20x42	169	\$4,278
V2430B-1EC1EX	VERTICAL AIR HANDLER UNIT, 2430, 120V, 4 Row COIL, (HP) NO HWC	1	20x20x42	177	\$4,395
V2430B-1EC2EX	VERTICAL AIR HANDLER UNIT, 2430, 230V, 4 Row COIL, (HP) NO HWC	1	20x20x42	177	\$4,395
HW-V2430	HOT WATER COIL FOR V2430	1	29x8x19	33	\$750
3036					
V3036B-1EC1BX	VERTICAL AIR HANDLER UNIT, 3036, 120V, 3 Row COIL, (AC) NO HWC	1	20x24x42	191	\$4,343
V3036B-1EC2BX	VERTICAL AIR HANDLER UNIT, 3036, 230V, 3 Row COIL, (AC) NO HWC	1	20x24x42	191	\$4,343
V3036B-1EC1EX	VERTICAL AIR HANDLER UNIT, 3036, 120V, 4 Row COIL, (HP) NO HWC	1	20x24x42	200	\$4,571
V3036B-1EC2EX	VERTICAL AIR HANDLER UNIT, 3036, 230V, 4 Row COIL, (HP) NO HWC	1	20x24x42	200	\$4,571
HW-V3036	HOT WATER COIL FOR V3036	1	29x8x19	48	\$845
3642					
V3642B-1EC1BX	VERTICAL AIR HANDLER UNIT, 3642, 120V, 3 Row COIL, (AC) NO HWC	1	24x25x44	215	\$4,646
V3642B-1EC2BX	VERTICAL AIR HANDLER UNIT, 3642, 230V, 3 Row COIL, (AC) NO HWC	1	24x25x44	215	\$4,646
V3642B-1EC1EX	VERTICAL AIR HANDLER UNIT, 3642, 120V, 4 Row COIL, (HP) NO HWC	1	24x25x44	227	\$4,770
V3642B-1EC2EX	VERTICAL AIR HANDLER UNIT, 3642, 230V, 4 Row COIL, (HP) NO HWC	1	24x25x44	227	\$4,770
HW-V3642	HOT WATER COIL FOR V3642	1	31x8x22	48	\$995



Air Handlers

1-1.5 Ton One-piece Fan-Coil Unit (FCU) All TXVs are R410-A with Flare Fitting

PART NO.	DESCRIPTION	QTY	CTN. DIMS (Inches)	SHIP WT. (Pounds)	List Price
EC Motor & S.M.A.R.T. Control Board (SCB)					
U1218L-1EC1XX	FCU, 110V EC, Blower Only	1	27x43x13	94	\$1,966
U1218L-1EC1CX	FCU, 110V EC, Chilled Water Coil	1	27x43x13	91	\$2,605
U1218L-1EC1EX	FCU, 110V EC, Refrigerant Coil, TXV	1	27x43x13	94	\$2,743
U1218L-1EC1EH	FCU, 110V EC, Refrigerant Coil, TXV, Hot Water Coil	1	27x43x13	103	\$3,024
U1218L-1EC1CH	FCU, 110V EC, Chilled Water Coil, Hot Water Coil	1	27x43x13	103	\$2,968
U1218L-1EC1XH	FCU, 110V EC, Hot Water Coil	1	27x43x13	83	\$2,247
U1218L-1EC2XX	FCU, 230V EC, Blower Only	1	27x43x13	94	\$1,966
U1218L-1EC2CX	FCU, 230V EC, Chilled Water Coil	1	27x43x13	91	\$2,605
U1218L-1EC2EX	FCU, 230V EC, Refrigerant Coil, TXV	1	27x43x13	94	\$2,743
U1218L-1EC2EH	FCU, 230V EC, Refrigerant Coil, TXV, Hot Water Coil	1	27x43x13	103	\$3,024
U1218L-1EC2CH	FCU, 230V EC, Chilled Water Coil, Hot Water Coil	1	27x43x13	103	\$2,968
U1218L-1EC2XH	FCU, 230V EC, Hot Water Coil	1	27x43x13	83	\$2,247
Standard Control					
U1218L-1ST2XX	Blower only	1	27x43x13	94	\$1,198
U1218L-1ST2CX	Chilled Water Coil	1	27x43x13	91	\$1,795
U1218L-1ST2EX	Refrigerant Coil, TXV	1	27x43x13	94	\$1,998
U1218L-1ST2EH	Refrigerant Coil, TXV, Hot Water Coil	1	27x43x13	103	\$2,394
U1218L-1ST2CH	Chilled Water Coil, Hot Water Coil	1	27x43x13	103	\$2,188
U1218L-1ST2XH	Hot Water Coil	1	27x43x13	83	\$1,591
All Standard Control units are 230V					
Return Air Components					
UPC-01-1218	Return Air Box with Grille and Filter, 14" x 20"	1	23x9x17	8	\$200
UPC-04-1218	Return Air Duct , 12" D x 10 ft.	1	26x18x18	9	\$138
UPC-04R6-1218	Return Air Duct, R-6.0 12" D x 10 ft	1	27x18x18	12	\$179
UPC-04R8-1218	Return Air Duct, R-8.0 12" D x 10 ft	1	28x18x18	15	\$183
UPC-104-1218	Return Air Adaptor, for 12" duct	1	19x5x13	30	\$101
UPC-105-1218	Return Air Adaptor, for 12" duct with filter rack and filter	1	19x5x14	30	\$364
Drain Pan					
UPC-94	Secondary Drain Pan for 1218	1	43x29x2	12	\$111
Accessories					
UPC-62-1218	Adapter, Supply, Square, 8.5" ID	1	10 x 10 x 2.5	3	\$36
UPC-61-1218	Adapter, Supply, Round, 7"	1	16.75x11x9	3	\$42
UPC-95	Mounting Rails for 1218	1	38x5x2	4	\$56
HW-1218	Hot Water Coil Only	1	25x11x7	12	\$371
Replacement Filter					
A00097-007	Filter, Throwaway, 14 x 20 x 1 (UPC-01-1218)	1	23x9x17	2	\$8



U1218L-1ST2EX
Fan Coil Unit with refrigerant coil and standard motor



U1218L-1EC2EX
Fan Coil Unit with refrigerant coil and E.C. motor



HW-1218
Hot Water Coil



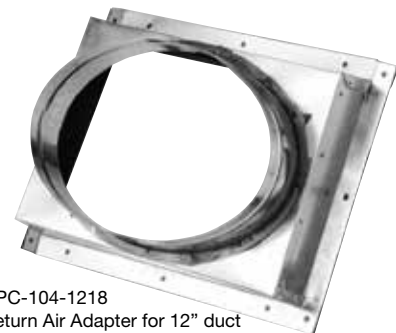
UPC-94
Drain Pan



UPC-04-1218
12" Return Air Duct



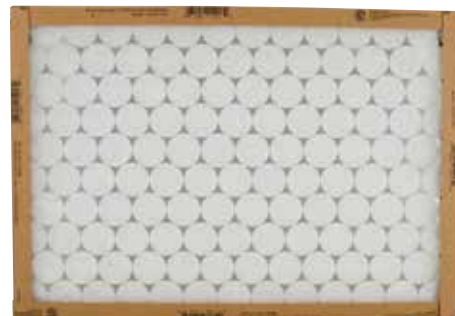
UPC-01-1218
14"x20 Return Air Box



UPC-104-1218
Return Air Adapter for 12" duct



UPC-61-1218
7" Supply Adapter



A00097-007 14x20 Throwaway Filter

Air Handlers

2-2.5 Ton Modular Units All TXVs are R410-A with Chatleff Fitting

PART NO.	DESCRIPTION	QTY	CTN. DIMS (Inches)	SHIP WT. (Pounds)	List Price
Blower Module					
M2430BL1-EC1	Module, Blower with S.M.A.R.T. Control Board and EC Motor, 110V	1	29x16x20	62	\$1,788
M2430BL1-EC2	Module, Blower with S.M.A.R.T. Control Board and EC Motor, 230V	1	29x16x20	62	\$1,788
M2430BL1-ST2	Module, Blower with Standard Control Box	1	29x16x20	62	\$1,040
M2430BR1-EC2	Module, Blower, 2-2.5 Ton, EC, US/CN, 240V, Right hand	1	29x16x20	62	\$1,911
Refrigerant Modules (A/C & Heat Pump Compatible, Includes TXV with Chatleff Fitting)					
M2430CL1-B	Module, Refrigerant Coil (4 Row)*(AC)	1	29x16x20	60	\$1,369
M2430CL1-E	Module, Refrigerant Coil (6 Row)*(HP)	1	29x16x20	60	\$1,511
M2430CR1-E	Module, Refrigerant Coil, (6 Row) (HP) Right hand	1	29x16x20	60	\$1,545
Hydronic Module					
M2430CL1-C	Module, Chilled Water Coil	1	29x16x20	60	\$1,201
M2430CL1-X	Module, Heating (without Hot Water Coil)	1	32x16x19	20	\$247
M2430CL1-H	Module, Heating (with Hot Water Coil)	1	32x16x19	53	\$935
HW-2430	Coil, Hot Water (fits M2430CL1-X, M2430V1)	1	33x8x17	33	\$686
Vertical Plenum Module					
M2430V1	Module, Vertical Plenum (includes Spacer & Filter)	1	29x20x21	33	\$520
Horizontal Return Air Module					
M2430R1	Module, Horizontal Multiple Return Air (Includes Filter)	1	29x16x20	33	\$288
Return Air Components					
UPC-01-2430	Return Air Box with Grille and Filter, 14" x 25"	1	23 x 8 x 17	8	\$215
UPC-04-2430	Return Air Duct , R-4.2, 14" D x 10 ft.	1	18x18x26	9	\$170
UPC-04R6-2430	Return Air Duct , R-6.0, 14" D x 10 ft.	1	19x18x26	12	\$225
UPC-04R8-2430	Return Air Duct , R-8.0, 14" D x 10 ft.	1	20x18x26	15	\$229
UPC-59-2430	Return Air Adapter (fits to M2430CL1-B, C or E coil modules), for 14" duct	1	23x15x13	6	\$101
UPC-104-2430	Return Air Adapter (fits to M2430CL1-X or H, M2430V1), for 14" duct	1	26x22x5	6	\$172
Drain Pan					
UPC-20B	Secondary Drain Pan (2 Module 2430)	1	43x42x2	11	\$111
UPC-20C	Secondary Drain Pan (3 Module 2430)	1	43x42x2	14	\$123
Accessories					
UPC-63A	Vertical Installation Kit with 6" spacer module (2430)	1	29x19x8	11	\$198
UPC-62-2430	Adapter, Supply, Square, 8.5" ID	1	10x10x2.5	2	\$42
UPC-61-2430	Adapter, Supply, Round, 7"	1	16.75x11x9	3	\$42
Replacement Filters					
A00097-005	Filter, Throwaway, 14 x 25 x 1 (UPC-01-2430, M2430R1)	1	23x8x17	2	\$8
A00558-004	Filter, Pleated, 18 x 25 x 1 (M2430V1)	1	33x29x9	2	\$18

* For capacity and usage questions call 1-800-527-0896 or email service@unicosystem.com



M2430CL1-B
Module, Refrigerant Coil (4 row) (AC)



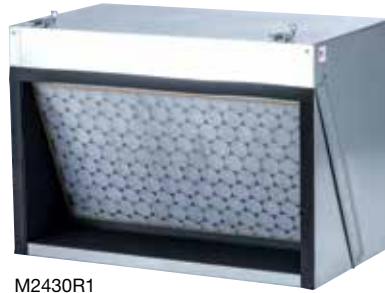
M2430CL1-H
Module, Heating (with hot water coil)



M2430CL1-C
Module, chilled water coil



HW-2430
Hot Water Coil



M2430R1
Module, horizontal multiple return air



M2430V1
Module, vertical plenum



UPC-20B
Secondary Drain Pan



UPC-61-2430
7" Supply Adapter



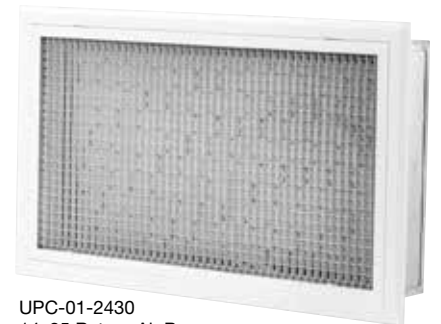
UPC-104-2430
Return Air Adapter
for 14" duct
(heating modules)



UPC-59-2430
Return Air Adapter for 14"
duct (for cooling modules)



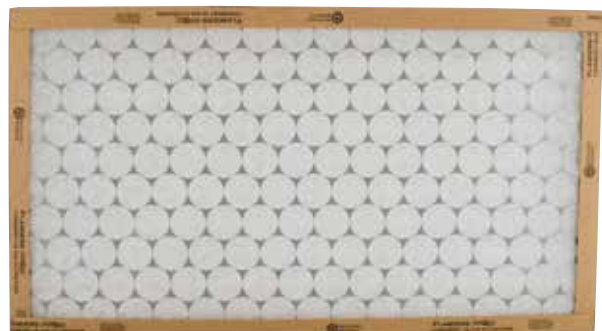
UPC-04-2430
14" Return Air Duct



UPC-01-2430
14x25 Return Air Box



A00558-004 18x25 Pleated Filter



A00097-005 14x25 Throwaway Filter

Air Handlers

2.5 – 3 Ton Modular Units All TXVs are R410-A with Chatleff Fitting

PART NO.	DESCRIPTION	QTY	CTN. DIMS (Inches)	SHIP WT. (Pounds)	List Price
Blower Module					
M3036BL1-EC1	Module, Blower with S.M.A.R.T. Control Board and EC Motor, 110V	1	42x16x20	73	\$1,945
M3036BL1-EC2	Module, Blower with S.M.A.R.T. Control Board and EC Motor, 230V	1	42x16x20	73	\$1,945
M3036BL1-ST2	Module, Blower with Standard Control Box	1	42x16x20	73	\$1,079
M3036BR1-EC2	Module, Blower, 2.5-3 Ton, EC2, Right hand	1	42x16x20	73	\$2,006
Refrigerant Module (A/C & Heat Pump Compatible, Includes TXV with Chatleff Fitting)					
M3036CL1-B	Module, Refrigerant Coil (4 Row)*(AC)	1	42x16x20	78	\$1,551
M3036CL1-E	Module, Refrigerant Coil (6 Row)*(HP)	1	42x16x20	78	\$1,800
M3036CR1-E	Module, Refrigerant Coil, (6 Row) (HP) Right hand	1	42x16x20	78	\$1,854
Hydronic Module					
M3036CL1-C	Module, Cooling (with Chilled Water Coil)	1	45x16x18	78	\$1,816
M3036CL1-X	Module, Heating (without Hot Water Coil)	1	45x16x19	28	\$276
M3036CL1-H	Module, Heating (with Hot Water Coil)	1	45x16x19	76	\$1,170
HW-3036	Coil, Hot Water (fits M3036CL1-X, M3036V1)	1	45 x 8 x 17	48	\$857
Vertical Plenum Module					
M3036V1	Module, Vertical Plenum (includes Spacer Module and filters)	1	20 x 21 x 41	45	\$731
Horizontal Return Air Module					
M3036R1	Module, Horizontal Multiple Return Air For 3036, (Includes filter)	1	42x16x20	30	\$361
Return Air Components					
UPC-01-3036	Return Air Box with Grille and Filter, 14" x 30"	1	33x8x17	10	\$248
UPC-04-3036	Return Air Duct , R-4.2, 16" D x 10 ft.	1	22x22x29	14	\$243
UPC-04R6-3036	Return Air Duct , R-6.0, 16" D x 10 ft.	1	22x22x29	17	\$283
UPC-04R8-3036	Return Air Duct , R-8.0, 16" D x 10 ft.	1	22x22x29	20	\$287
UPC-59-3036	Return Air Adapter (fits M3036CL1-B, C or E coil modules) 16" duct	1	17x38x13	8	\$124
UPC-104-3036	Return Air Adapter (fits M3036CL1-X or H M3036V1 Module) 16" duct	1	39x22x5	9	\$196
Drain Pan					
UPC-27B	Secondary Drain Pan (2 Module 3036)	1	45x42x2	14	\$131
UPC-27C	Secondary Drain Pan (3 Module 3036)	1	45x42x2	20	\$138
Accessories					
UPC-63-3036	Vertical Installation Kit with 6" spacer module	1	17x38x6	13	\$162
UPC-61-3036	Adapter, Supply, Round, 9	1	11x11x4.5	4	\$45
UPC-62-3036	Adapter, Supply, Square 10.5" ID	1	20x12x9	3	\$45
Replacement Filters					
A00097-006	Filter, Throwaway, 14 x 30 x 1 (UPC-01-3036, M3036R1)	1	33x8x17	2	\$9
A00558-007	Filter, Pleated, 18 x 30 x 1 (M3036V1)	1	33x29x9	2	\$15

* For capacity and usage questions call 1-800-527-0896 or email service@unicosystem.com



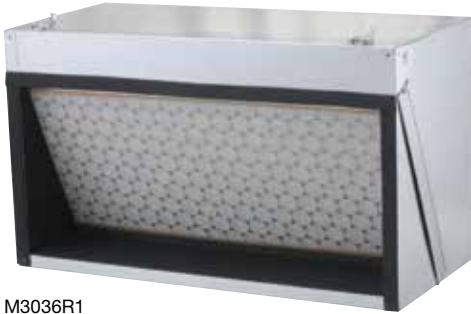
M3036BL1-EC2
Module, Blower w/E.C. Motor and S.M.A.R.T. Control



M3036CL1-H
Module, heating with hot water coil



HW-3036
Hot Water Coil



M3036R1
Module, horizontal multiple return air



M3036V1
Module, vertical plenum



UPC-61-3036
9" Supply Adapter



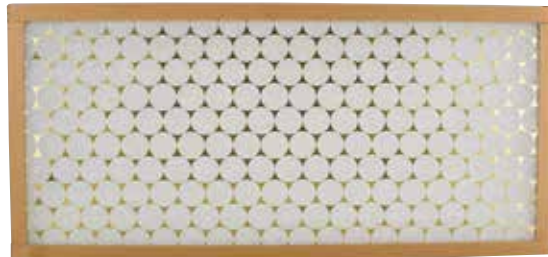
UPC-59-3036
Return Air Adapter (for cooling modules)
for 16" duct



UPC-04-3036
16" Return Air Duct



UPC-01-3036
14x30 Return Air Box



A00097-006 14x30 Throwaway Filter

Air Handlers

3 – 3.5 Ton Modular Units All TXVs are R410-A with Chatleff Fitting

PART NO.	DESCRIPTION	QTY	CTN. DIMS (Inches)	SHIP WT. (Pounds)	List Price
Blower Module					
M3642BL1-EC1	Module, Blower with S.M.A.R.T. Control Board and EC Motor, 110V	1	42x16x20	73	\$2,014
M3642BL1-EC2	Module, Blower with S.M.A.R.T. Control Board and EC Motor, 230V	1	42x16x20	73	\$2,014
M3642BL1-ST2	Module, Blower with Standard Control Box	1	42x16x20	73	\$1,162
M3642BR1-EC2	Module, Blower, 240V, EC, US/CN, Right hand	1	42x16x20	73	\$2,064
Refrigerant Module (A/C & Heat Pump Compatible, Includes TXV with Chatleff Fitting)					
M3642CL1-B	Module, Refrigerant Coil (4 Row)* (AC)	1	42x16x20	78	\$1,712
M3642CL1-E	Module, Refrigerant Coil (6 Row)* (HP)	1	42x16x20	78	\$1,873
M3642CR1-E	Module, Refrigerant Coil, (6 Row) (HP) Right hand	1	42x16x20	78	\$1,968
Hydronic Module					
M3642CL1-C	Module, Chilled Water Coil	1	42x16x20	78	\$1,924
M3642CL1-X	Module, Heating (without Hot Water Coil)	1	45x16x19	28	\$295
M3642CL1-H	Module, Heating (with Hot Water Coil)	1	45x16x19	76	\$1,298
HW-3642	Coil, Hot Water (fits M3642CL1-X, M3642V1)	1	45 x 8 x 17	48	\$924
Vertical Plenum Module					
M3642V1	Module, Vertical Plenum (includes Spacer & Filter)	1	20 x 21 x 41	45	\$731
Horizontal Return Air Module					
M3642R1	Module, Horizontal Multiple Return Air (Includes Filter)	1	42x16x20	30	\$372
Return Air Components					
UPC-01-3642	Return Air Box with Grille and Filter, 14" x 30"	1	33x8x17	10	\$248
UPC-04-3642	Return Air Duct , R-4.2, 18" D x 10 ft.	1	22x22x29	14	\$243
UPC-04R6-3642	Return Air Duct , R-6.0, 18" D x 10 ft.	1	22x22x29	17	\$283
UPC-04R8-3642	Return Air Duct , R-8.0, 18" D x 10 ft.	1	22x22x29	20	\$287
UPC-59-3642	Return Air Adapter (fits to M3642CL1-B, C or E coil module), for 18" duct	1	17x38x13	8	\$124
UPC-104-3642	Return Air Adapter (fits to M3642CL1-X or H, M3642V1), for 18" duct	1	39x22x5	9	\$210
Drain Pan					
UPC-24B	Secondary Drain Pan (2 Module 3642)	1	45x42x2	14	\$137
UPC-24C	Secondary Drain Pan (3 Module 3642)	1	45x42x2	20	\$145
Accessories					
UPC-64A	Vertical Installation Kit with 6" spacer module	1	41x19x8	13	\$313
UPC-62-3642	Adapter, Supply, Square, 10.5" ID	1	11x11x4.5	4	\$45
UPC-61-3642	Adapter, Supply, Round, 9	1	20x12x9	3	\$45
Replacement Filters					
A00097-006	Filter, Throwaway, 14 x 30 x 1 (UPC-01-3642)	1	33x8x17	2	\$9
A00097-008	Filter, Throwaway, 14 x 38 x 1 (M3642R1)	1	39x22x5	2	\$29
A00558-003**	Filter, Pleated, 18 x 20 x 1 (M3642V1)	1	33x29x9	2	\$15
A00558-005**	Filter, Pleated, 18 x 18 x 1 (M3642V1)	1	33x29x9	2	\$19

** M3642V1 requires one of each above.

* For capacity and usage questions call 1-800-527-0896 or email service@unicosystem.com

Air Handlers

4 – 5 Ton Modular Units All TXVs are R410-A with Chatleff Fitting

PART NO.	DESCRIPTION	QTY	CTN. DIMS (Inches)	SHIP WT. (Pounds)	List Price
Blower Module					
M4860BL1-EC1	Module, Blower with S.M.A.R.T. Control Board and EC Motor, 110V	1	42x16x20	73	\$2,129
M4860BL1-EC2	Module, Blower with S.M.A.R.T. Control Board and EC Motor, 230V	1	42x16x20	73	\$2,129
M4860BL1-ST2	Module, Blower with Standard Control Box	1	42x16x20	73	\$1,370
M4860BR1-EC2	Module, Blower, 4-5Ton, EC motor (US Version), Right hand	1	42x16x20	73	\$2,112
Refrigerant Module (A/C & Heat Pump Compatible, Includes TXV with Chatleff Fitting)					
M4860CL1-B	Module, Refrigerant Coil (3 Row)* (AC)	1	42x18x26	88	\$2,245
M4860CL1-E	Module, Refrigerant Coil (4 Row)* (HP)	1	42x18x26	88	\$2,412
M4860CR1-E	Module, Refrigerant Coil, (4 Row) (HP) Right hand	1	42x18x26	88	\$2,472
<i>Cooling Modules include a Spacer Module</i>					
Hydronic Module					
M4860CL1-C	Module, Chilled Water Coil	1	45x16x19	88	\$2,630
M4860CL1-X	Module, Heating (without Hot Water Coil)	1	45x16x19	28	\$295
M4860CL1-H	Module, Heating (with Hot Water Coil)	1	42x16x20	88	\$1,298
HW-4860	Coil, Hot Water (fits M4860CL1-X, M4860V1)	1	45x8x17	48	\$924
<i>Cooling Modules include a Spacer Module</i>					
Vertical Plenum Module					
M4860V1	Module, Vertical Plenum (includes Filter)	1	41x21x20	45	\$602
Horizontal Return Air Module					
M4860R1	Module, Horizontal Multiple Return Air (Includes Filter)	1	42x16x20	30	\$372
Return Air Components					
UPC-01-4860	Return Air Box with Grille and Filter, 24" x 30"	1	8.5x27.5x33	16	\$352
UPC-01-4860NC	Return Air Box with Grille and Filter, 20" x 30"	1	8.5x27.5x33	16	\$314
UPC-04-4860	Return Air Duct, R-4.2, 20" D x 10 ft.	1	22x22x29	18	\$253
UPC-04R6-4860	Return Air Duct, R-6.0, 20" D x 10 ft.	1	23x22x29	21	\$320
UPC-04R8-4860	Return Air Duct, R-8.0 20" D x 10 ft	1	24x22x29	24	\$337
UPC-59-4860	Return Air Adapter (fits to M4860CL1-B, C or E coil module), for 20" duct	1	16x16x36	14	\$138
UPC-104-4860	Return Air Adapter (fits to M4860CL1-X or H, M4860V1) for 20" duct	1	39x22x5	14	\$210
Drain Pan					
UPC-24C	Secondary Drain Pan (2 Module 4860)	1	45x55x2	20	\$145
UPC-24D	Secondary Drain Pan (3 Module 4860)	1	45x55x2	24	\$161
Accessories					
UPC-62-4860	Adapter, Supply, Square, 11.5" ID	1	12x12x12	2	\$49
UPC-61-4860	Adapter, Supply, Round, 10"	1	20x12x9	4	\$49
Replacement Filters					
A00097-008	Filter, Throwaway, 14 x 38 x 1 (M4860R1)	1	39x22x5	2	\$29
A00097-009	Filter, Throwaway, 24 x 30 x 1 (UPC-01-4860)	1	8.5x27.5x33	2	\$14
A00097-010	Filter, Throwaway, 20 x 30 x 1 (UPC-01-4860NC)	1	8.5x27.5x33	2	\$13
A00558-003**	Filter, Pleated, 18 x 20 x 1 (M4860V1)	1	33x29x9	2	\$15
A00558-005**	Filter, Pleated, 18 x 18 x 1 (M4860V1)	1	33x29x9	2	\$19

** M4860V1 require one of each above.

* For capacity and usage questions call 1-800-527-0896 or email service@unicosystem.com

Supply Air Outlets – 2 Inch

PART NO.	DESCRIPTION	QTY	CTN. DIMS (Inches)	SHIP WT. (Pounds)	List Price
Round Plastic					
UPC-56B	Supply Outlet, Round, Plastic, White	1	5x5x5	1	\$16
UPC-56B-BLK	Supply Outlet, Round, Plastic, Black	1	5x5x5	1	\$19
UPC-56B-BRS	Supply Outlet, Round, Plastic, Brass Finish	1	5x5x5	1	\$19
UPC-56B-CHR	Supply Outlet, Round, Plastic, Chrome Finish	1	5x5x5	1	\$19
UPC-56B-PLA	Outlet, Rnd, 2", Biodegradable	1	5x5x5	1	\$16
UPC-56FR-1	Supply Outlet, Round, Plastic, White, Fire-Rated 1-hour (UL555C)	1	5x5x5	1	\$65
UPC-58-1-15	Supply Outlet, Round, Plastic, 15° Sloped	1	5x5x5	1	\$26
UPC-58-1-25	Supply Outlet, Round, Plastic, 25° Sloped	1	5x5x5	1	\$26
All plastic outlets include toggles and screws					
A01729-004	Outlet, Supply, Flangeless, Black	1	5x5x5	1	\$5
Round Wood					
UPC-57-B	Supply Outlet, Round, Wood, Birch	1	5x5x5	1	\$74
UPC-57-C	Supply Outlet, Round, Wood, Cherry	1	5x5x5	1	\$65
UPC-57-K	Supply Outlet, Round, Wood, Knotty Pine	1	5x5x5	1	\$74
UPC-57-MA	Supply Outlet, Round, Wood, Maple	1	5x5x5	1	\$63
UPC-57-MH	Supply Outlet, Round, Wood, Mahogany	1	5x5x5	1	\$83
UPC-57-PI	Supply Outlet, Round, Wood, Pine	1	5x5x5	1	\$63
UPC-57-PO	Supply Outlet, Round, Wood, Poplar	1	5x5x5	1	\$63
UPC-57-RO	Supply Outlet, Round, Wood, Red Oak	1	5x5x5	1	\$52
UPC-57-WL	Supply Outlet, Round, Wood, Walnut	1	5x5x5	1	\$77
UPC-57-WO	Supply Outlet, Round, Wood, White Oak	1	5x5x5	1	\$89
All wood outlets are unfinished					
Slotted Outlet Kits					
UPC-67A	Supply Outlet Kit, Slotted, 90°, Plastic, White	1	16x17x4	2	\$75
UPC-67-BRKT	Mounting Bracket, Outlet, Slot	1	16x17x4	2	\$31
UPC-68	Supply Outlet Kit, Slotted, Straight, Plastic, White	1	10x10x11	2	\$75
UPC-101	Supply Outlet Kit, Slotted, Plastic, White (for plenum duct)	1	8x8x5	1	\$36
UPC-66	Supply Outlet Kit, Slotted, 90°, Aluminum, White - Metal Boot	1	16x17x4	4	\$136
Slotted Plastic Trim Plates					
A00297-001	Trim Plate for UPC-66/101 (White)	1	8x8x5	1	\$6
A00297-002	Trim Plate for UPC-67 and 68 (White)	1	8x8x5	1	\$6
A00297-002-BLK	Trim Plate Black for, UPC-67 and 68	1	8x8x5	1	\$6
A00297-002-BRS	Trim Plate Brass for UPC-67 and 68	1	8x8x5	1	\$6
A00297-002-CHR	Trim Plate Chrome for UPC-67 and 68	1	8x8x5	1	\$25
A00297-001 and 002 are included in Supply Outlet Kit					
Slotted Wood Trim Plates					
A00297-003-B	Plate, Trim, Slotted Outlet, Wood, Birch, UPC-67, UPC-68	1	16x7x5	1	\$90
A00297-003-C	Trim Plate, Slotted, Wood, Cherry (for UPC-67A and UPC-68)	1	16x7x5	1	\$90
A00297-003-K	Trim Plate, Slotted, Wood, Knotty Pine (for UPC-67A and UPC-68)	1	16x7x5	1	\$123
A00297-003-MA	Trim Plate, Slotted, Wood, Maple (for UPC-67A and UPC-68)	1	16x7x5	1	\$87
A00297-003-MH	Trim Plate, Slotted, Wood, Mahogany (for UPC-67A and UPC-68)	1	16x7x5	1	\$89
A00297-003-PI	Trim Plate, Slotted, Wood, Pine (for UPC-67A and UPC-68)	1	16x7x5	1	\$103
A00297-003-PO	Trim Plate, Slotted, Wood, Poplar (for UPC-67A and UPC-68)	1	16x7x5	1	\$87
A00297-003-RO	Trim Plate, Slotted, Wood, Red Oak (for UPC-67A and UPC-68)	1	16x7x5	1	\$85
A00297-003-WL	Trim Plate, Slotted, Wood, Walnuts (for UPC-67A and UPC-68)	1	16x7x5	1	\$90
A00297-003-WO	Trim Plate, Slotted, Wood, White Oak (for UPC-67A and UPC-68)	1	16x7x5	1	\$81
All wood outlets are unfinished					
A01057-G01	Slotted Outlet Extension Kit 4", for UPC-67A and 68	1	11x11x3	2	\$23



A00297-003-MH Slotted Outlet, Mahogany



UPC-297-002-BRS Slotted Outlet, Brass



A00297-003-RO Slotted Outlet, Red Oak



UPC-297-002 Standard Slotted Outlet



A00297-003-B Slotted Outlet, Birch



UPC-56B
Standard Round Outlet



UPC-256B-CHR
Chrome Round Outlet



UPC-256B-BRS
Brass Round Outlet



UPC-257-PO
Poplar Round Outlet



UPC-257-PI
Pine Round Outlet



UPC-257-MH
Mahogany Round Outlet



UPC-257-C
Cherry Round Outlet



UPC-257-B
Birch Round Outlet



UPC-257-MA
Maple Round Outlet



UPC-257-WO
White Oak Round Outlet



UPC-257-K
Knotty Pine Round Outlet



UPC-257-WL
Walnut Round Outlet



UPC-58-1-25
25° Angle Outlet



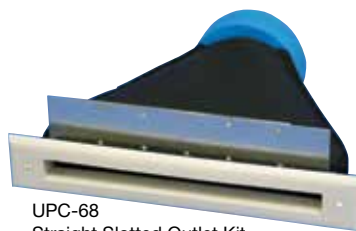
UPC-257-RO
Red Oak Round Outlet



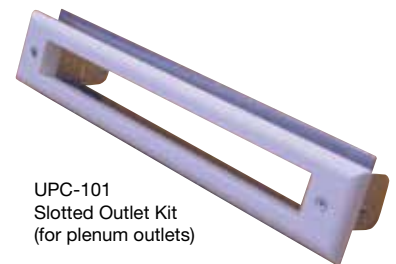
UPC-58-1-15
15° Angle Outlet



UPC-67A
90° Slotted Outlet Kit



UPC-68
Straight Slotted Outlet Kit



UPC-101
Slotted Outlet Kit
(for plenum outlets)

Supply Air Components – 2 inch

PART NO.	DESCRIPTION	QTY	CTN. DIMS (Inches)	SHIP WT. (Pounds)	List Price
Sound Attenuator					
UPC-26C-6	Sound Attenuator Tubing, 2" ID x 12'L, R-3.3 (72 ft. per box)	6	24x24x23	28	\$323
UPC-26CR4-6	Sound Attenuator Tubing, 2" ID x 12'L, R-4.2 (72 ft. per box)	6	24x24x23	32	\$354
UPC-26CR6-6	Sound Attenuator Tubing, 2" ID x 12'L, R-6.0 (72 ft. per box)	6	26x26x33	36	\$533
UPC-26CR8-6	Sound Attenuator Tubing, 2" ID x 12'L, R-8.0 (72 ft. per box)	6	26x26x33	40	\$619

Aluminum Supply

UPC-25-1	Supply Tubing, Aluminum, 2" ID x 25'L, R-3.3 single length	1	32x31x4	9	\$125
UPC-25-4	Supply Tubing, Aluminum, 2" ID x 25'L, R-3.3 (100 ft. per box)	4	31x15x31	30	\$430
UPC-25-R4-4	Supply Tubing, Aluminum, 2" ID x 25'L, R-4.2 (100 ft. per box)	4	32x30x15	58	\$597
UPC-25-R6-4	Supply Tubing, Aluminum, 2" ID x 25'L, R-6.0 (100 ft. per box)	4	37x37x22	58	\$735
UPC-25-R8-4	Supply Tubing, Aluminum, 2" ID x 25'L, R-8.0 (100 ft. per box)	4	37x37x22	61	\$804

INSTALL KITS

Metal

UPC-80M-1	Outlet Kit, Round Metal Plenum (single outlet), Includes Supply Outlet, 12' R-3.3 Attenuator Tube, Round Metal Plenum Take Off, Winter Shutoff Cap, (2) Scrim Core Clamps, (2) Aluminum Core Clamps (black), (2) Toggles and Screws, and a Coupling with Tape Rings, Balancing Orifice Kit	1	26x22x5	5	\$111
UPC-80MF-1	Outlet Kit, Rectangular Metal Plenum Flat Take Off (single outlet), Includes Supply Outlet, 12' R-3.3 Attenuator Tube, Rectangular Metal Plenum Take Off, Winter Shutoff Cap, (2) Scrim Core Clamps, (2) Aluminum Core Clamps (black), (2) Toggles and Screws, and a Coupling with Tape Rings, Balancing Orifice Kit	1	26x22x5	5	\$111
UPC-80MR6-1	Outlet Kit, Round Metal Plenum (single outlet), Includes Supply Outlet, 12' Attenuator Tube R-6, Metal Plenum Take Off, Winter Shutoff Cap, (2) Scrim Core Clamps, (2) Aluminum Core Clamps (black), (2) Toggles and Screws, and a Coupling with Tape Rings, Balancing Orifice Kit	1	26x22x5	8	\$152
UPC-89M-6	Installation Kit, Round Metal Plenum (6 outlets), Includes (6) Supply Outlets, (6) Metal Take Offs, (6) Winter Supply Shutoff Caps, (12) Scrim Core Clamps, (12) Toggles and Screws, (12) Aluminum Core Clamps (black), (1) Balancing Orifice Kit, (6) Couplings with (12) Tape Rings	6	10x10x10	6	\$258
UPC-89M-8	Installation Kit, Round Metal Plenum (8 outlets), Includes (8) Supply Outlets, (8) Metal Take Offs, (8) Winter Supply Shutoff Caps, (16) Scrim Core Clamps, (16) Toggles and Screws, (16) Aluminum Core Clamps (black), (1) Balancing Orifice Kit, (8) Couplings with (16) Tape Rings	8	14x14x13	8	\$307
UPC-89MF-6	Installation Kit, Rectangular Metal Plenum Flat Take Off (6 outlets), Includes (6) Supply Outlets, (6) Metal Take Offs, (6) Winter Supply Shutoff Caps, (12) Scrim Core Clamps, (12) Toggles and Screws, (12) Aluminum Core Clamps (black), (1) Balancing Orifice Kit, (6) Couplings with (12) Tape Rings	6	10x10x10	6	\$217
UPC-89MF-8	Installation Kit, Rectangular Metal Plenum Flat Take Off (8 outlets), Includes (8) Supply Outlets, (8) Metal Take Offs, (8) Winter Supply Shutoff Caps, (16) Scrim Core Clamps, (16) Toggles and Screws, (16) Aluminum Core Clamps (black), (1) Balancing Orifice Kit, (8) Couplings with (16) Tape Rings	8	10x10x10	8	\$290

Supply Air Components – 2 inch

PART NO.	DESCRIPTION	QTY	CTN. DIMS (Inches)	SHIP WT. (Pounds)	List Price
INSTALL KITS					
<i>Fiberglass</i>					
UPC-80F-1	Outlet Kit, 1" Fiberglass Plenum (single outlet), Includes Supply Outlet, 12' R-3.3 Attenuator Tube, Spin-In Take Off, Winter Shutoff Cap, (2) Scrim Core Clamps, (2), Aluminum Core Clamps (black), (2) Toggles and Screws, and a Coupling with Tape Rings, Balancing Orifice Kit	1	26x22x5	5	\$111
UPC-80FR6-1	Outlet Kit, 1.5" Fiberglass Plenum (single outlet), Includes Supply Outlet, 12' R-6 Attenuator Tube, 1.5" Spin-In Take Off, Winter Shutoff Cap, (2) Scrim Core Clamps, (2) Aluminum Core Clamps (black), (2) Toggles and Screws, and a Coupling with Tape Rings, Balancing Orifice Kit	1	26x22x5	8	\$148
UPC-89F-6	Installation Kit, 1" Fiberglass Plenum (6 outlets), Includes (6) Supply Outlets, (6) Spin-In Take Offs, (6) Winter Supply Shutoff Caps, (12) Scrim Core Clamps, (12) Toggles and Screws, (12) Aluminum Core Clamps (black), (1) Balancing Orifice Kit, (6) Couplings with (12) Tape Rings	6	10x10x10	6	\$258
UPC-89F-8	Installation Kit, 1" Fiberglass Plenum (8 outlets), Includes (8) Supply Outlets, (8) Spin-In Take Offs, (8) Winter Supply Shutoff Caps, (16) Scrim Core Clamps, (16) Toggles and Screws, (16) Aluminum Core Clamps (black), (1) Balancing Orifice Kit, (8) Couplings with (16) Tape Rings	8	17x11x9	8	\$346
UPC-89FR6-6	Installation Kit, 1.5" Fiberglass (R-6) Plenum (6 outlets), Includes (6) Supply Outlets, (6) 1.5" Spin-In Take Offs, (6) Winter Supply Shutoff Caps, (12) Scrim Core Clamps, (12) Toggles and Screws, (12) Aluminum Core Clamps (black), (1) Balancing Orifice Kit, (6) Couplings with (12) Tape Rings	6	10x10x10	6	\$288



UPC-26C-6 2" Sound Attenuator



UPC-25-1 2" Supply Tube



UPC-80M-1 Metal Plenum Outlet Kit



UPC-89F-6 Fiberglass Plenum Install Kit

Accessories – 2 inch

PART NO.	DESCRIPTION	QTY	CTN. DIMS (Inches)	SHIP WT. (Pounds)	List Price
Supply Air & Outlet Components					
UPC-22	Take-off, Spin-In (for 1.5" fiberglass ductboard) kit	1	5x5x5	1	\$23
UPC-23B	Take-off, Spin-in (for 1" fiberglass ductboard) kit	1	5x5x5	1	\$25
UPC-28	Take-off, (for Rd. metal plenum) Includes gasket	1	5x5x5	1	\$21
UPC-28F	Take-off, (for flat metal plenum) Includes gasket	1	5x5x5	1	\$23
UPC-35-15	Balancing Kit (for plenum take-offs)	15	5x5x5	1	\$60
UPC-36-15	Balancing Kit 2" (for round outlets)	15	5x5x5	1	\$44
UPC-38C-10	Coupling, 2" Duct, Includes Clamps (makes 10 couplings/box)	10	10x10x11	3	\$103
UPC-42-20	Plugs, Winter Shut-off (Outlet) 20/box	20	5x5x5	1	\$32
UPC-45-5	Deflector, Air, Outlet	5	5x5x5	1	\$50
UPC-51	Hardware Pkg, Outlet Includes (12) toggles and screws	12	5x5x5	1	\$21
UPC-52-50	Clamps, Aluminum Supply Tubing (black)	50	5x5x5	1	\$39
UPC-53-50	Clamps, Sound Attenuator (silver)	50	5x5x5	1	\$39
UPC-55-5	Hole Cutter, fiberglass ductboard, 2" ("Cookie-cutter")	5	5x5x5	1	\$49
UPC-84-5	Outlet Kit, Short Rigid 1' Attenuator (for 1" ductboard plenum)	5	10x11x17	4	\$260
UPC-85-5	Outlet Kit, Short Rigid 1' Attenuator (for metal plenum)	5	10x11x17	4	\$260
UPC-86-5	Frame-in Kits, 2"	5	10x11x17	5	\$114
UPC-88-20	Screen, Outlet, White	20	5x5x5	1	\$42
UPC-88-20-BLK	Screen, Outlet, Black	20	5x5x5	1	\$42
A00122-001	Coupling, AL, 2"	1	5x5x5	1	\$4
A00123-001	Ring, Tape, 3.5" (no slits)	1	5x5x5	1	\$1
A01102-001	Plugs, Winter Shut-off (Slotted outlet - UPC-67 & 68)	1	5x5x5	1	\$3
A01502-001-K05	Gasket, for underside of 2" round, flanged outlet (5 pieces)	5	5x5x5	1	\$6
A01502-001	Gasket, Round, Flanged Outlet, 2" (50.8 mm)	1	5x5x5	1	\$1



UPC-23B



UPC-226-5



UPC-225-1

Supply Air Outlets – 2.5 Inch

PART NO.	DESCRIPTION	QTY	CTN. DIMS (Inches)	SHIP WT. (Pounds)	List Price
Round Plastic					
UPC-256	Supply Outlet, 2.5", Round, Plastic , White,	1	5x5x5	1	\$20
UPC-256B-BLK	Supply Outlet, Round, Plastic , Black	1	5x5x5	1	\$59
UPC-256B-BRS	Supply Outlet, Round, Plastic , Brass Finish	1	5x5x5	1	\$20
UPC-256B-CHR	Supply Outlet, Round, Plastic , Chrome Finish	1	5x5x5	1	\$20
<i>All plastic outlets include toggles and screws</i>					
A01346-001	Outlet, Supply, 2.5", Flangeless, Black	1	5x5x5	1	\$4
Round Wood					
UPC-257-B	Supply Outlet, 2.5", Round, Wood, Birch	1	5x5x5	1	\$93
UPC-257-C	Supply Outlet, 2.5", Round, Wood, Cherry	1	5x5x5	1	\$81
UPC-257-K	Supply Outlet, 2.5", Round, Wood, Knotty Pine	1	5x5x5	1	\$185
UPC-257-MA	Supply Outlet, 2.5", Round, Wood, Maple	1	5x5x5	1	\$111
UPC-257-MH	Supply Outlet, 2.5", Round, Wood, Mahogany	1	5x5x5	1	\$104
UPC-257-PI	Supply Outlet, 2.5", Round, Wood, Pine	1	5x5x5	1	\$133
UPC-257-PO	Supply Outlet, 2.5", Round, Wood, Poplar	1	5x5x5	1	\$78
UPC-257-RO	Supply Outlet, 2.5", Round, Wood, Red Oak	1	5x5x5	1	\$119
UPC-257-WL	Supply Outlet, 2.5", Round, Wood, Walnut	1	5x5x5	1	\$139
UPC-257-WO	Supply Outlet, 2.5", Round, Wood, White Oak	1	5x5x5	1	\$111

Supply Air Components – 2.5 Inch

Sound Attenuator

UPC-226-5	Sound Attenuator Tubing, 2.5" ID x 12'L R-3.3(60 ft total)	5	24x24x23	28	\$333
UPC-226-R4-5	Sound Attenuator Tubing, 2.5" ID x 12'L, R-4.2 (60 ft total)	5	24x24x23	32	\$393
UPC-226-R6-5	Sound Attenuator Tubing, 2.5" ID x 12'L, R-6.0 (60 ft total)	5	26x26x33	36	\$533
UPC-226-R8-5	Sound Attenuator Tubing, 2.5" ID x 12'L, R-8.0 (60 ft total)	5	26x26x33	40	\$619

Aluminum Supply

UPC-225-1	Supply Tubing, Aluminum, 2.5" ID x 25'L, R-3.3 single length	1	32x31x4	9	\$163
UPC-225-3	Supply Tubing, Aluminum, 2.5" ID x 25'L R-3.3 (75 ft total)	3	34x34x12	30	\$430
UPC-225-R4-3	Supply Tubing, Aluminum, 2.5" ID x 25'L, R-4.2 (75 ft total)	3	34x34x12	58	\$543
UPC-225-R6-3	Supply Tubing, Aluminum, 2.5" ID x 25'L, R-6.0 (75 ft total)	3	38x38x19	58	\$735
UPC-225-R8-3	Supply Tubing, Aluminum, 2.5" ID x 25'L, R-8.0 (75 ft total)	3	38x38x19	61	\$804

Install Kits

PART NO.	DESCRIPTION	QTY	CTN. DIMS (Inches)	SHIP WT. (Pounds)	List Price
Metal					
UPC-280M-1	Outlet Kit, 2.5", Metal Plenum (single outlet) Includes Supply Outlet, 12' R-3.3 Attenuator Tube, Metal Plenum Take Off, Winter Shutoff Cap, (2) Scrim Core Clamps, (2) Aluminum Clamps and a Coupling with Tape Rings, Balancing Orifice Kit	1	26x22x5	5	\$143
UPC-280MR6-1	Outlet Kit, 2.5", Metal Plenum (single outlet) Includes Supply Outlet, 12' R-6 Attenuator Tube, Metal Plenum Take Off, Winter Shutoff Cap, (2) Scrim Core Clamps, (2) Aluminum Clamps and a Coupling with Tape Rings, Balancing Orifice Kit	1	26x22x5	8	\$237
UPC-289M-5	Installation Kit, 2.5", Round Metal Plenum (5 outlets) Includes (5) Supply Outlets, (5) Metal Take Offs, (5) Winter Supply Shutoff Caps, (10) Scrim Core Clamps, (10) Toggles and Screws, (10) Aluminum Core Clamps (black), (1) Balancing Orifice Kit, (5) Couplings with (10) Tape Rings	5	10x10x10	5	\$266
UPC-289MF-5	Installation Kit, 2.5", Rectangular Metal Plenum (5 outlets) Includes (5) Supply Outlets, (5) Metal Take Offs, (5) Winter Supply Shutoff Caps, (10) Scrim Core Clamps, (10) Toggles and Screws, (10) Aluminum Core Clamps (black), (1) Balancing Orifice Kit, (5) Couplings with (10) Tape Rings	5	14x14x14	8	\$266

Remember - with 2.5", fewer outlets are needed for same airflow.



UPC-280MR6-1 2.5" Outlet Kit (R-6)



UPC-289M-5 2.5" Installation Kit

Accessories – 2.5 Inch

PART NO.	DESCRIPTION	QTY	CTN. DIMS (Inches)	SHIP WT. (Pounds)	List Price
Supply Air & Outlet Components					
UPC-228	Take-off, 2.5" (for round metal plenum) Includes gasket	1	5x5x5	1	\$31
UPC-228F	Flat Take-off, 2.5" (for square metal plenum) Includes gasket	1	5x5x5	1	\$36
UPC-235-5	2.5" Balancing Kit (for plenum take-offs)	5	5x5x5	1	\$69
UPC-238-10	Coupling, Duct, 2.5" Includes Clamps (makes 10 couplings/box)	10	10x10x11	3	\$184
UPC-242-20	Plugs, Winter Shut-off (2.5" Outlet)	20	5x5x5	1	\$31
UPC-245-5	Deflector, Air, 2.5" Outlet	5	5x5x5	1	\$46
UPC-252-50	Clamps, 2.5" Aluminum Supply Tubing (black)	50	5x5x5	1	\$85
UPC-253-50	Clamps, 2.5" Sound Attenuator (silver)	50	5x5x5	1	\$61
UPC-286-5	Frame-in Kits, 2.5"	5	10x11x17	5	\$131
UPC-288-20	Screen, Outlet, 2.5", White	20	5x5x5	1	\$46
UPC-288-20-BLK	Screen, Outlet, 2.5", Black	20	5x5x5	1	\$46
A01300-001	Outlet, Round, Flanged, 2.5", White (No mounting hardware)	1	5x5x5	1	\$4
A01502-002-K05	Gasket, for 2.5" round, flanged outlet (5 pieces)	5	5x5x5	1	\$10
A01502-002	Gasket, Round, Flanged Outlet, 2.5" (63.5 mm)	1	5x5x5	1	\$1

Unico Plenum

PART NO.	DESCRIPTION	QTY	CTN. DIMS (Inches)	SHIP WT. (Pounds)	List Price
Unico Plenum					
USM-01	DUCT,GALV,7Dx5'x28GA (10/BOX)	10	11X11X63	75	\$548
USM-02	DUCT,GALV,9Dx5'x28GA (10/BOX)	10	11X11X63	85	\$329
USM-03	ELBOW,GALV,7Dx28 GA. (12/BOX)	12	23X19X22	16	\$110
USM-04	ELBOW,GALV,9Dx28GA. (12/BOX)	12	28X24X23	24	\$148
USM-05	END CAP,GALV,UNCRMP,7" I.D. (12/Box)	12	23X19X22	22	\$317
USM-06	END CAP,GALV,UNCRMP,9" I.D. (12/Box)	12	23X19X22	22	\$219
USM-07	TEE,GALV,7Dx28GA (4/BOX)	4	30X23X32	11	\$109
USM-08	TEE,GALV,9Dx28GA (4/BOX)	4	30x23x32	11	\$148
USM-09	TEE,REDUCER,GALV, 9x7x7x28GA (4/BOX)	4	30X23X32	11	\$140
USM-10	INSUL,SLEEVE,SILVER,7Dx5'x2" (12/BOX)	12	25X18X18	22	\$294
USM-11	INSUL,SLEEVE,SILVER,9Dx5'x2" (12/BOX)	12	25X18X20	26	\$277
USM-12	REDUCER,GALV,9x7x28GA (12/BOX)	12	18X18X20	11	\$152
USM-13	DUCT,GALV,10Dx5'x28GA (10/BOX)	10	12X12X63	95	\$398
USM-14	ELBOW, GALV, 10" (12/BOX)	12	29x25x25	26	\$172
USM-15	TEE, GALV, 10" (4/BOX)	4	30x23x32	24	\$142
USM-16	INSUL,SLEEVE,SILVER,10Dx5'x2" (12/BOX)	12	32X12X28	29	\$319
USM-17	REDUCER, GALV, 10" X 9" (12/BOX)	12	28X23X24	29	\$232
USM-18	END CAP, GALV, 10" (12/BOX)	12	23x19x22	22	\$180
USM-19	TEE, GALV, REDUCER, 10 X 9 X 9" (4/BOX)	4	30X23X32	11	\$193

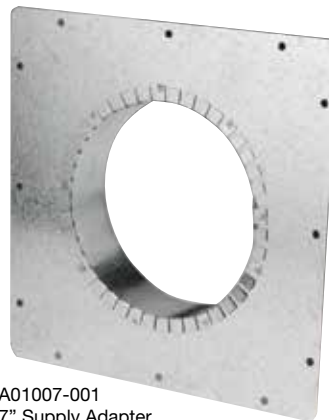
Electric Furnace and Replacement Parts

PART NO.	DESCRIPTION	QTY	CTN. DIMS (Inches)	SHIP WT. (Pounds)	List Price
Single Phase 240V					
WON0202-C	Furnace, Electric, 2 kW, 1P/240V (matches all models)**	1	16x20x29	22	\$675
WON0502-C	Furnace, Electric, 5 kW, 1P/240V (matches all models)**	1	16x20x29	22	\$707
WON0752-C	Furnace, Electric, 7.5 kW, 1P/240V (matches all models)**	1	16x20x29	29	\$801
WON1002-C	Furnace, Electric, 10 kW, 1P/240V (matches 2430, 3036, 3642, 4860)**	1	16x20x29	28	\$873
WON1502-C	Furnace, Electric, 15 kW, 1P/240V (matches 2430, 3036, 3642, 4860)**	1	16x20x29	36	\$1,445
WON2002-C	Furnace, Electric, 20 kW, 1P/240V (matches 3036, 3642, 4860)**	1	39x19x13	40	\$1,588
Three Phase 240V					
WON0754-C	Furnace, Electric, 7.5 kW, 3P/230V (matches all models)**	1	16x20x29	29	\$858
WON1004-C	Furnace, Electric, 10 kW, 3P/230V (matches 2430, 3036, 3642, 4860)**	1	16x20x29	28	\$870
WON1504-C	Furnace, Electric, 15 kW, 3P/230V (matches 2430, 3036, 3642, 4860)**	1	16x20x29	36	\$1,365
Accessories					
A01007-001	Adapter, Supply, WON Heater, 7" diameter	1	13x13x4	2	\$64
A01007-002	Adapter, Supply, WON Heater, 9" diameter	1	13x13x4	2	\$64
A01007-003	Adapter, Supply, WON Heater, 10" diameter**	1	13x13x4	2	\$49
A01008-001	Adapter, Supply, WON Heater, (for 6.5" sq. fiberglass)	1	13x13x4	2	\$62

** WON Electric Furnace comes with both 10" Dia and 9.5" sq. supply adapter, mounting collar, and restrictor plate.



WON0502-C
5kW Electric Furnace



A01007-001
7" Supply Adapter

Electric Furnace and Replacement Parts, cont'd.

PART NO.	DESCRIPTION	QTY	CTN. DIMS (Inches)	SHIP WT. (Pounds)	List Price
<i>Replacement Parts</i>					
A00257-001	Fuse Link (for WUN series - Temp. 152C)	1	5x5x5	1	\$18
A00257-002	Fuse Link (for WON series - Temp. 121C)	1	5x5x5	1	\$23
A01011-001	Auto Limit, L-145 (WUN series)	1	5x5x5	1	\$27
A01011-002	Auto Limit, 2-PL65 (WON series)	1	5x5x5	1	\$55
A01012-001	Sequencer, 1-pole (WUN or WON series)	1	5x5x5	1	\$63
A01012-002	Sequencer, 2-pole (WUN or WON series)	1	5x5x5	1	\$80
A01013-001	Contacto, Heater Element, 1-pole	1	5x5x5	1	\$66
A01013-002	Contacto, Heater Element, 2-pole	1	5x5x5	1	\$64
A00802-003	Fan Interlock Relay, 1-pole	1	5x5x5	1	\$49
A01484-001	Sequencer, 1 Pole (All WON Models Rev A & B)	1	5x5x5	1	\$19
A01484-002	Sequencer, 2 Pole (All WON Models Rev A & B)	1	5x5x6	1	\$45
A01485-001	Rectifier, 5 Second Delay - CRR9-5 (All WON Models Rev A & B) Please use with sequencer Part # A01484-001	1	5x5x5	1	\$13
A01485-003	Rectifier, 9 Second Delay - CRR9-9 (All WON Models Rev A & B) Please use with sequencer Part # A01484-001	1	5x5x5	1	\$13
A01051-215	Breaker, 2-pole, 15 amp (blower circuit - WON series)	1	5x5x5	1	\$184
A01051-225	Breaker, 2-pole, 25 amp (WON**02 series)	1	5x5x5	1	\$179
A01051-235	Breaker, 2-pole, 35 amp (WON**02 series)	1	5x5x5	1	\$179
A01051-240	Breaker, 2-pole, 40 amp (WON**02 series)	1	5x5x5	1	\$179
A01051-250	Breaker, 2-pole, 50 amp (WON**02 series)	1	5x5x5	1	\$179
A01051-260	Breaker, 2-pole, 60 amp (WON**02 series)	1	5x5x5	1	\$179
A01051-325	Breaker, 3-pole, 25 amp (WON**04 series)	1	5x5x5	1	\$179
A01051-335	Breaker, 3-pole, 35 amp (WON**04 series)	1	5x5x5	1	\$179
A01051-340	Breaker, 3-pole, 40 amp (WON**04 series)	1	5x5x5	1	\$179
A01051-345	Breaker, 3-pole, 45 amp (WON**04 series)	1	5x5x5	1	\$179
A01051-360	Breaker, 3-pole, 60 amp (WON**04 series)	1	5x5x5	1	\$179
A01673-001	Air Pressure Switch (ALL WON Models Rev B only)	1	5x5x5	1	\$123
A01674-K01	Air Pressure Switch (Upgrade Kit Electric Furnace)	1	5x5x5	1	\$110
A02141-001	Rectifier, 5 Second Delay, (All WON Models Rev A & B only)	1	5x5x6	1	\$13

Accessories

PART NO.	DESCRIPTION	QTY	CTN. DIMS (Inches)	SHIP WT. (Pounds)	List Price
Thermostats					
A00915-G03	Thermostat, Universal, Single-Stage 1-Heat/1-Cool, Programmable	1	8x8x4	2	\$137
A00915-G04	Thermostat, Universal, Multi-Stage Heat/1-Cool	1	8x8x4	2	\$225
A00915-G05	Thermostat, Universal, Multi-Stage, Touch-Screen, 3-Heat/2-Cool	1	8x8x4	2	\$439
Round Plenum					
UPC-19V-090707	Tee, Reducer, Galv., 9" x 7" x 7" (with Turning Vane)	1	23x15x13	4	\$67
UPC-19V-100909	Tee, Reducer, Galv., 10" x 9" x 9" (with Turning Vane)	1	23x15x13	5	\$80
UPC-11-07R-4	Turning Vane, Round Duct, 7"	4	10x10x11	5	\$76
UPC-11-09R-4	Turning Vane, Round Duct, 9"	4	13x13x10.5	5	\$93
UPC-11-10R-4	Turning Vane, Round Duct, 10"	4	13x13x10.5	5	\$137
Tools					
UPC-54	Pliers, Clamp	1	8x8x5	1	\$67
Turbometer	Meter, Air Velocity, TurboMeter®	1	8x8x5	1	\$243
© TurboMeter is a registered trademark of Davis Instruments					
Duct Tape					
UPC-17	Tape, Thermal (iron on), UL 181A-H, 3" x 350'	1	8x8x4	2	\$114
UPC-17B-FX	Tape, Pressure Sensitive (aluminum), UL 181A-P - 181B-F/X, 2.5" x 180'	1	8x8x4	2	\$52
Square Plenum					
UPC-62	ADAPTER, PLENUM, SQUARE	1	10x10x2.5	2	\$29



A00915-G03 Single Stage Thermostat



UPC-54 Clamp Pliers



TURBOMETER



UPC-17 Thermal Tape

Replacement Parts

PART NO.	DESCRIPTION	QTY	CTN. DIMS (Inches)	SHIP WT. (Pounds)	List Price
Mild Weather Kits					
UPC-65X	Mild Weather Kits, R-410A only (recommended for heat pumps)	1	5x5x5	1	\$109
UPC-65	Mild Weather Kits, R-22 only (recommended for heat pumps)	1	5x5x5	1	\$95
Coil Assembly					
A00326-001	Coil Assy, H, U1218 (AC or HP)	1	26x13x20	26	\$559
A00397-001	Coil Assy, Chilled Water, U1218	1	26x13x20	26	\$524
A00791-G01	Coil Assy, M2430BL1-B or MC2436C-A or MC2430C,X	1	29x16x20	32	\$563
A00793-G01	Coil Assy, M2430CL1-E or MC2436H or MC2430H,X	1	29x16x20	34	\$809
A01665-G02	Coil Assy, Chilled Water, M2430CL1-C or MC2436W or MC2430W	1	29x16x20	32	\$966
A01622-G01	M3036CL1-B Refrigeration Coil	1	42x16x20	68	\$714
A01665-G01	M3036CL1-C Chilled Water Coil	1	35x19x14	63	\$1,109
A01736-G02	M3036CL1-E Refrigeration Coil	1	35x19x14	63	\$1,038
A00790-G01	Coil Assy, M3642CL1-B or MC4260C-A or MC3642C,X	1	42x16x20	42	\$730
A00792-G01	Coil Assy, M3642CL1-E or MC4260H or MC3642H,X	1	42x16x20	52	\$954
A01665-G03	Coil Assy, Chilled Water, M3642CL1-C or MC4260W, MC3642W	1	42x16x20	48	\$1,350
A00811-G01	Coil Assy, M4860CL1-B or MC4860C,X	1	45x29x20	52	\$1,080
A00811-G02	Coil Assy, M4860CL1-E or MC4860H,X	1	45x29x20	58	\$1,431
A01126-G01	Coil Assy, Chilled Water, M4860CL1-C or MC4860W	1	45x29x20	58	\$1,402
A00392-001	Line, Liquid 1218	1	5x5x5	1	\$11
A01023-001	Line, Liquid, AC, 2430, 3036, 3642	1	5x5x5	1	\$20
A01024-001	Line, Liquid, HP, 2430, 3036, 3642	1	5x5x5	1	\$21
A01044-001	Line, Liquid, 4860	1	5x5x5	1	\$16
TX Valves and Parts					
A00031-003	Valve, TX, R-22, IVE-2.5-GA, MC2436/HP2436 sweat	1	5x5x5	2	\$126
A00031-004	Valve, TX, R-22, IVE-4-GA, MC4260/HP4860 sweat	1	5x5x5	2	\$143
A00366-001	Valve, TX, R-22, CBIVE-1 (U1218), flare & AC/HP	1	5x5x5	2	\$110
A00366-002	Valve, TX, R-410A, CBIZE-1.5 (U1218), flare	1	5x5x5	2	\$124
A00808-002	Valve, TX, R-22, CBIVE-2 (MC2430H/MC2430C), chatleff thread	1	5x5x5	2	\$128
A00808-004	Valve, TX, R-22, CBIVE-3 (MC3642H/MC3642C), chatleff thread	1	5x5x5	2	\$132
A00808-005	Valve, TX, R-22, CBIVE-4 (MC4860H, MC4860C), chatleff thread	1	5x5x5	2	\$132
A00808-013	Valve, TX, R-410A, CBBIZE-2 (MC2430HX/CX), chatleff thread 2430 B & E	1	5x5x5	2	\$129
A00808-014	Valve, TX, R-410A, CBBIZE-3 (MC3642HX/CX), chatleff thread 3642 B & E	1	5x5x5	2	\$129
	M3036 B & E				
A00808-015	Valve, TX, R-410A, CBBIZE-4 (MC4860HX/CX), chatleff	1	5x5x5	2	\$141
A00809-001	Seal, TXV, O-Ring, Teflon	1	5x5x5	1	\$3

Replacement Parts con't.

PART NO.	DESCRIPTION	QTY	CTN. DIMS (Inches)	SHIP WT. (Pounds)	List Price
Control Box					
A00175-G01	Control Box Assembly (for MB2436, 4260) L + H	1	15.5x6.5x5	6	\$226
A00175-G02	Control Box Assembly, w/ Var. Spd. Control, (ST2 models)	1	15x8x5.5	6	\$276
A00175-G04A	Control Box Assembly, ACB (includes A00987-G01 wiring harness)	1	15x8x5.5	6	\$629
A00175-G07	SCB Control Box Assembly for 240V (EC2 model)	1	15.5x6.5x5	6	\$757
A00175-G08	SCB Control Box Assembly for 1/2 hp (EC3 model)	1	15.5x6.5x5	6	\$740
A00175-G09	Control Box Assy, SCB, (CE version)	1	15.5x6.5x5	6	\$762
A00175-G10	SCB Control Box Assembly for 120V (EC1 model)	1	15.5x6.5x5	6	\$777
A01469-G03	Circuit Board, SCB (All EC1 & EC2 Products)	1	15x8x5.5	6	\$413
A01470-G01	Control Board, USB for SCB (daughter board)	1	5x5x5	1	\$55
A01802-K01	Circuit Board, Replacement Board for all blowers with ACB	1	10x10x5	3	\$437
A00985-G01	Harness, adapter, ACB to MP motor	1	5x5x5	1	\$31
A01222-G02	Harness, Wire, 2 spd to 1, direct connect	1	5x5x5	1	\$11
A01472-G01	Harness, Wire, ECM, 240V	1	5x5x5	1	\$30
A01472-G02	Harness, Wire, ECM, 120V	1	5x5x5	1	\$27
A01473-G01	Harness, Wire, SCB/USB to ECM	1	5x5x5	1	\$46
A01474-G01	Harness, Wire, SCB to USB	1	5x5x5	1	\$27
A01525-G01	Cable Extension, ECM (CE), 59"	1	10x10x11	3	\$525
A01525-G02	Cable Extension, ECM (CE), 98"	1	10x10x11	5	\$637
A01722-005	Chip, Program, EEPROM, S.C.B. (Latest Version)	1	5x5x5	1	\$62

When ordering a replacement wire harness for EC motor, please contact Customer Service.

A00795-001	Control, Variable Speed, 5 amp (for A00175-G02)	1	5x5x5	1	\$61
A01002-013	Slow blow fuse, 2.5 amps (for ACB boards)	1	5x5x5	1	\$2
A01412-001	Slow blow fuse, 2 amps (for SCB & ACB2 boards)	1	5x5x6	1	\$2

Motors

A01567-G01	Controller for Motor, EC, 1/2 HP - M2430BL1EC, U1218L1-EC	1	8x8x4	7	\$490
A01567-G02	Controller for Motor, EC, 1 HP- M3036BL1, M3642BL1, M4860BL1	1	8x8x4	7	\$649
A01426-002	Motor, EC, 1/2 HP, U1218L1-EC, M2430BL1-EC	1	10x10x11	18	\$750
A01426-003	Motor, EC, 1 HP, M3036BL1-EC, M3642BL1-EC, M4860BL1- EC	1	10x10x11	18	\$1,007
A00138-001	Motor, MB2436L 1625 RPM, 1/2 HP (capacitor included)	1	10x10x11	21	\$314
A00139-001	Motor, MB4260L 1625 RPM, 1 HP (capacitor included)	1	10x10x11	23	\$374
A01373-G01	Motor mount kit, U1218	1	10x10x11	2	\$59
A01373-G02	Motor mount kit, M2430, M3642, M3036, M4860	1	10x10x11	2	\$47
A01018-G01	Motor, M1218 (3-speed) (capacitor not included)	1	10x10x11	18	\$302
A01018-G05	Motor, M2430BL1-ST2 (capacitor not included)	1	10x10x11	20	\$356
A01018-G09	Motor, M 3036BL1-ST2 M3642BL1-ST2 and M4860BL1-ST2 (capacitor not included)	1	10x10x11	23	\$399
A01018-G03	Motor, MP High Efficiency, M1218+CB (capacitor not included)	1	10x10x11	23	\$359
A01018-G07	Motor, MP High Efficiency, MB2430L+CB (capacitor not included)	1	10x10x11	20	\$381
A01018-G14	Motor, MP High Eff. MB3642L & MB4860L+CB (cap.not included)	1	10x10x11	23	\$423

MP High Efficiency Motor is compatible with Advanced Control Board Only

EC Variable Speed Motor is Compatible with SMART Control Board Only

Replacement Parts con't.

PART NO.	DESCRIPTION	QTY	CTN. DIMS (Inches)	SHIP WT. (Pounds)	List Price
High Speed Blower Module and Parts					
MB2436H	Blower, High Speed Motor Design (for 3450 RPM replacements only)	1	29x16x20	57	\$1,107
MB4260H	Blower, High Speed Motor Design (for 3450 RPM replacements only)	1	42x16x20	72	\$1,278
A00054-001	Motor, MB2436H, HP2436, VP2436 3450 RPM, .5HP(cap. included)	1	10x10x11	21	\$333
A00141-001	Motor, MB4260H, HP4860, VP4860 3450 RPM, 1 HP (cap. included)	1	10x11x11	25	\$435
A00036-002	Wheel, Blower, 6.3D x 3.8W SWSI (VP / HP4860)	1	10x10x11	4	\$111
A00082-002	Wheel, Blower, 6.3D x 2.0W SWSI (MB2436H & VP/HP 2436)	1	10x10x9	4	\$144
A00082-004	Wheel, Blower, 6.3D x 3.3W SWSI (MB4260H)	1	10x10x10	4	\$116
UPC-61	Adapter, Supply, 9" Round (blowers built before 2003)	1	10x10x3	1	\$41
Restrictor Plate					
A00159-001	Plate, Restrictor, Blower (for MB2436 and MB4260)	1	10x10x11	1	\$5
A00533-001	Plate, Restrictor, Round Duct, M2430BL1-ST2	1	10x10x11	1	\$9
A00589-001	Plate, Restrictor, Round Duct, M3036BL1-ST2 and M3642BL1-ST2	1	10x10x11	1	\$9
A00590-001	Plate, Restrictor, Round Duct, M4860BL1-ST2	1	10x10x11	1	\$8
A00590-002	Plate, Restrictor (for all WON series heaters)	1	10x10x11	1	\$15
A00921-001	Plate, Restrictor, Square Duct, M2430BL1-ST2	1	10x10x11	1	\$9
A00922-001	Plate, Restrictor, Square Duct, M3036BL1-ST2 and M3642BL1-ST2	1	10x10x11	1	\$9
A00923-001	Plate, Restrictor, Square Duct, M4860BL1-ST2	1	10x10x11	1	\$15
Blower Wheels					
A00584-003	Wheel, Blower, EC, M2430BL1-EC2/1	1	10x10x11	4	\$97
A00582-003	Wheel, Blower, EC, M3642BL1-EC2/1, M3036BL1-EC2/1	1	10x10x11	4	\$112
A00580-003	Wheel, Blower, EC, M4860BL1-EC2/1	1	10x10x11	4	\$104
A00757-001	Wheel, Blower, 9.5D x 1.50 SWSI (U1218), for ACB, EC2/1, and ST2	1	10x10x11	4	\$114
A00137-001	Wheel, Blower, 9.5D x 3.00 SWSI (MB2436L)	1	10x10x11	4	\$99
A00137-002	Wheel, Blower, 9.5D x 4.50 SWSI (MB4260L)	1	10x10x11	4	\$80
A00584-001	Wheel, Blower, 9.5D x 3.75 DWDI (M2430BL1-ST2 & +CB)	1	10x10x11	4	\$78
A00582-001	Wheel, Blower, 9.5D x 5.00 DWDI (M3036 and 3642BL1-ST2 & +CB)	1	10x10x11	4	\$84
A00580-001	Wheel, Blower, 9.5D x 7.75 DWDI (M4860BL1-ST2 & +CB)	1	10x10x11	4	\$81
Capacitors					
A00351-003	Capacitor, Oval, 10 mfd (for motors A001018-G03, G05, G07, G09, G14)	1	5x5x5	1	\$32
A00351-001	Capacitor, Oval, 7.5 mfd (for motor A01018-G01)	1	5x5x5	1	\$15
Relays and Switches					
A00244-K01	AFS Bypass Relay Kit	1	5x5x5	1	\$49
A00056-G02	Relay, Fan (for MB2436, MB4260 & U1218 ST2 model)	1	5x5x5	1	\$43
A00802-001	Relay, Fan (for M2430, 3036, 3642 and 4860 ST2 models)	1	5x5x5	1	\$24
A00060-G03	AFS (Anti Frost Switch), Single (for MC2436, MC4260 & U1218)	1	5x5x5	1	\$31
A00060-G04	AFS (Anti Frost Switch), Double (for all refrigerant coils)	1	5x5x5	1	\$57
Transformers					
A00057-G02	Transformer, 208/240 Volt (ST2 Models)	1	5x5x5	1	\$39
A00057-G03	Transformer, 208/240 Volt (for ACB)	1	5x5x5	1	\$43
A00057-G04	Transformer, EC2, 208/240 Volt (for SCB & ACB2)	1	5x5x5	1	\$45
A00057-G05	Transformer, EC1, 110/120 Volt (for SCB)	1	5x5x5	1	\$59

Replacement Parts con't.

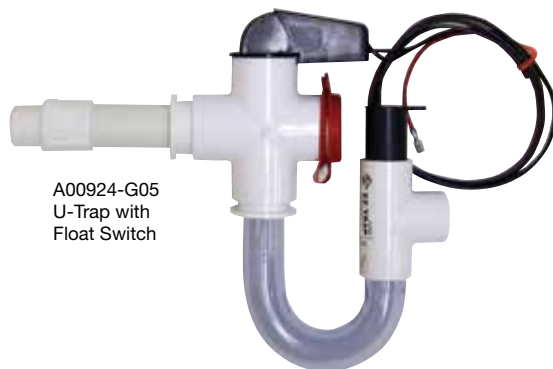
PART NO.	DESCRIPTION	QTY	CTN. DIMS (Inches)	SHIP WT. (Pounds)	List Price
U-Traps					
A00924-G05	Kit, U-Trap w/Float Switch, Cooling Module (EZT - 241-3/4")	1	10x10x11	4	\$87
A00924-G06	Kit, U-Trap w/Float Switch, U1218 (EZT - 242-1/2")	1	10x10x11	4	\$90
A01514-G01	Kit, Waterless Trap w/ Float Switch, 2430/3036/3642/4860	1	10x10x11	4	\$81
A01514-G02	Kit, Waterless Trap w/ Float Switch, 1218	1	10x10x11	4	\$91
Return Filter Grills					
A00051-005	Grille, Filter, UPC-01-1218, 14" x 20"	1	23x8x17	4	\$88
A00051-003	Grille, Filter, UPC-01-2430, 14" x 25"	1	23x8x17	4	\$98
A00051-004	Grille, Filter, UPC-01-3036, UPC-01-3642, 14" x 30"	1	33x8x17	4	\$136
A00051-006	Grille, Filter, UPC-01-4860, 24" x 30"	1	39x22x5	6	\$125
A00051-007	Grille, Filter, UPC-01-4860NC, 20" x 30"	1	39x22x5	6	\$143
Misc. Panels, Latches & Gaskets					
A00218-002	Panel, Access, Modular, Solid	1	16x17x4	2	\$12
A00176-002	Keeper, Latch	1	5x5x5	1	\$2
A00176-001	Latch, Draw	1	5x5x5	1	\$3
Primary Drain Pans					
A00095-K01	Primary Drain Pan M2430	1	23 x 8 x 17	5	\$103
A00095-K02	Primary Drain Pan M3642	1	33x8x17	5	\$111

Motor and Control Board Upgrade Kits

PART NO.	DESCRIPTION	QTY	CTN. DIMS (Inches)	SHIP WT. (Pounds)	List Price
Upgrade Kit to EC Motor & S.M.A.R.T. Control Board (SCB)					
A01543-K22	Kit, Upgrade, SCB with EC Motor, for M2430	1	16x20x29	20	\$1,660
A01543-K23	Kit, Upgrade, SCB with EC Motor, for M3642	1	16x20x29	20	\$1,893
A01543-K24	Kit, Upgrade, SCB with EC Motor, for M4860	1	16x20x29	20	\$1,931

EC Upgrade Kit Can Be Installed On Blower Modules M2430, M3642, M4860

EC Upgrade Kit contains Wheel, Motor, Control Box for 230V blowers, USB cable, software CD, and cable



A00924-G05
U-Trap with
Float Switch



A01543-K23 3642 E.C. Upgrade Kit

Square Fireboard Plenum Components

PART NO.	DESCRIPTION	QTY	CTN. DIMS (Inches)	SHIP WT. (Pounds)	List Price
R-4.2					
UPC-11-065S-4	TURNING VANE, SQUARE, 6.5"	4	13x13x10.5	5	\$87
UPC-11-085S-4	TURNING VANE, SQUARE, 8.5"	4	23x10x11	5	\$121
UPC-11-095S-4	TURNING VANE, SQUARE, 9.5"	4	23x10x11	6	\$131
UPC-12-065S6-4	Duct, Fiberglass, 6.5" x 6.5" I.D. x 6' long	4	18x18x72	30	\$476
UPC-12-085S6-4	Duct, Fiberglass, 8.5" x 8.5" x 6' long	4	21.5x21.5x72	34	\$487
UPC-12-095S6-4	Duct, Fiberglass, 9.5" x 9.5" x 6' long	4	24x24x72	40	\$480
UPC-12-065S6-8F	Duct, Fiberglass, 6.5" x 6.5" I.D. x 6' long, Flat (unassembled)	8	34x8x72	60	\$630
UPC-12-085S6-8F	Duct, Fiberglass, 8.5" x 8.5" x 6' long, Flat (unassembled)	8	42x8x72	68	\$668
UPC-15-065S-4	End Caps, Fiberglass for 6.5" x 6.5" duct	4	8x8x5	1	\$36
UPC-15-085S-4	End Caps, Fiberglass for 8.5" x 8.5" duct	4	10x10x5	2	\$39
UPC-15-095S-4	End Caps, Fiberglass for 9.5" x 9.5" duct	4	10x11x17	2	\$47
UPC-16V-065S-1	Tee, Full Flow, Fiberglass, 6.5" x 6.5" I.D. (w/ Turning Vane)	1	14x16x9	4	\$106
UPC-16V-065S-4	Tee, Full Flow, Fiberglass, 6.5" x 6.5" I.D., 4 pack (w/ Turning Vane)	4	32x21x18	12	\$357
UPC-16V-085S-1	Tee, Full Flow, Fiberglass, 8.5" x 8.5" I.D. (w/ Turning Vane)	1	29x16x20	5	\$132
UPC-16V-085S-4	Tee, Full Flow, Fiberglass, 8.5" x 8.5" I.D., 4 pack (w/ Turning Vane)	4	27x20.5x47	14	\$450
UPC-16V-095S-1	Tee, Full Flow, Fiberglass, 9.5" x 9.5" I.D. (w/ Turning Vane)	1	29x16x20	6	\$141
UPC-16V-095S-4	Tee, Full Flow, Fiberglass, 9.5" x 9.5" I.D., 4 pack (w/ Turning Vane)	4	27x20.5x47	15	\$503
UPC-18-065S-1	Elbow, 90°, Fiberglass, 6.5" x 6.5" I.D.	1	14x14x9	2	\$88
UPC-18-065S-4	Elbow, 90°, Fiberglass, 6.5" x 6.5" I.D., 4 pack	4	30x18x18	9	\$271
UPC-18-085S-1	Elbow, 90°, Fiberglass, 8.5" x 8.5" I.D.	1	29x16x20	3	\$90
UPC-18-085S-4	Elbow, 90°, Fiberglass, 8.5" x 8.5" I.D., 4 pack	4	24x23.5x45	15	\$324
UPC-18-095S-1	Elbow, 90°, Fiberglass, 9.5" x 9.5" I.D.	1	29x16x20	3	\$101
UPC-18-095S-4	Elbow, 90°, Fiberglass, 9.5" x 9.5" I.D., 4 pack	4	24x23.5x45	15	\$368
UPC-29-9585S-1	Reducer, Fiberglass, 9.5" sq. x 8.5" sq	1	23x15x14	3	\$82
UPC-29-9565S-1	Reducer, Fiberglass, 9.5" sq. x 6.5" sq	1	23x15x14	3	\$82
UPC-29-8565S-1	Reducer, Fiberglass, 8.5" sq. x 6.5" sq	1	23x12x11	3	\$82

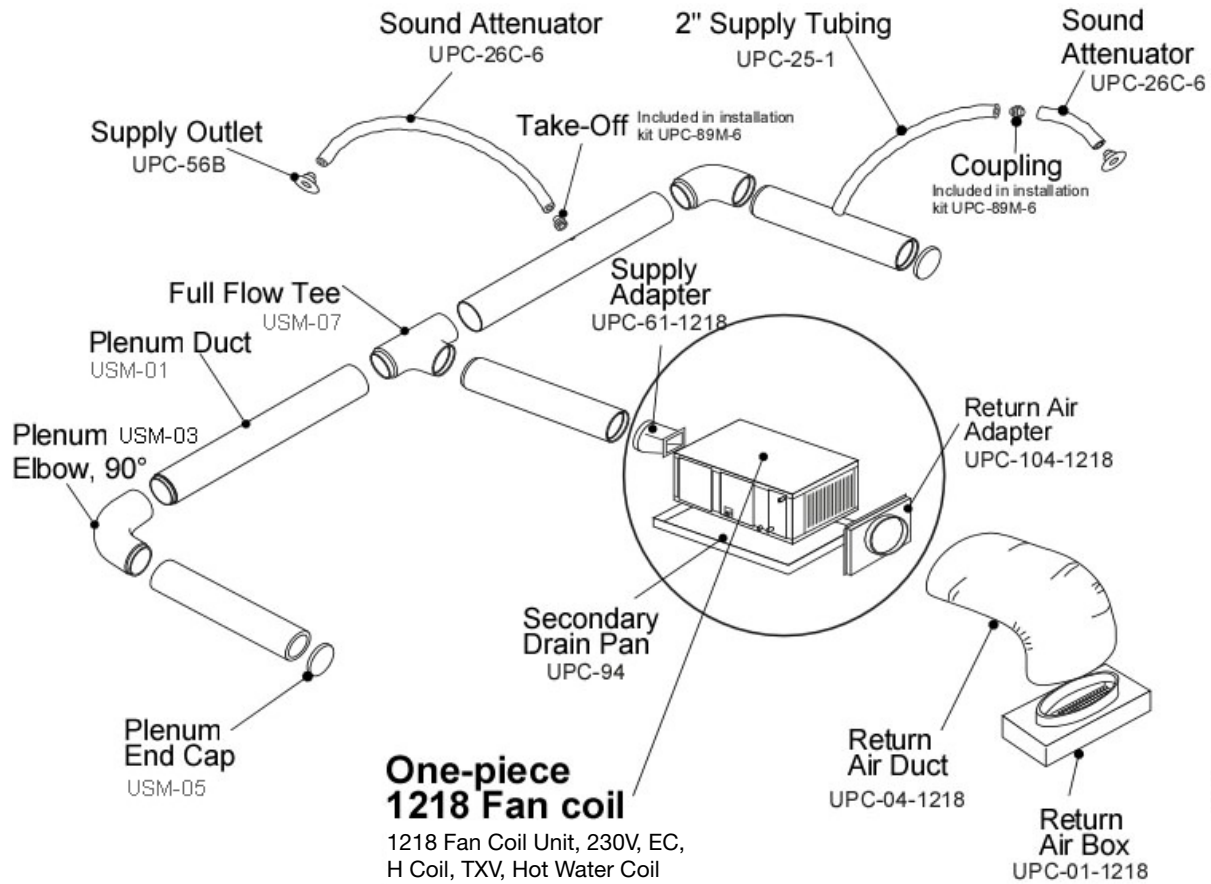
All fiberglass duct and fittings are made of 1" thick fiberglass ductboard.

R-6.0 All R-6.0 are non-stocked items, call for availability

UPC-12-065R6-4	Duct, Fiberglass, 6.5" x 6.5" I.D. x 6' long	4	73x19x19	40	\$668
UPC-12-085R6-4	Duct, Fiberglass, 8.5" x 8.5" x 6' long	4	73x22x22	51	\$487
UPC-12-095R6-4	Duct, Fiberglass, 9.5" x 9.5" x 6' long	4	73x24x24	56	\$884
UPC-15-065R6-4	End Caps, Fiberglass for 6.5" x 6.5" duct	4	11x11x16	2	\$26
UPC-15-085R6-4	End Caps, Fiberglass for 8.5" x 8.5" duct	4	12x12x16	2	\$53
UPC-15-095R6-4	End Caps, Fiberglass for 9.5" x 9.5" duct	4	12x12x16	2	\$15
UPC-16V-065R6-4	Tee, Full Flow, Fiberglass, 6.5" x 6.5" I.D., 4 pack (w/ Turning Vane)	4	36x25x22	20	\$426
UPC-16V-085R6-4	Tee, Full Flow, Fiberglass, 8.5" x 8.5" I.D., 4 pack (w/ Turning Vane)	4	40x28x24	35	\$516
UPC-16V-095R6-4	Tee, Full Flow, Fiberglass, 9.5" x 9.5" I.D., 4 pack (w/ Turning Vane)	4	44x32x26	40	\$646
UPC-18-065R6-4	Elbow, 90°, Fiberglass, 6.5" x 6.5" I.D., 4 pack	4	26x25x24	14	\$300
UPC-18-085R6-4	Elbow, 90°, Fiberglass, 8.5" x 8.5" I.D., 4 pack	4	28x25x27	20	\$255
UPC-18-095R6-4	Elbow, 90°, Fiberglass, 9.5" x 9.5" I.D., 4 pack	4	32x20x26	22	\$406
UPC-29-9585R6-1	Reducer, Fiberglass, 9.5" sq. x 8.5" sq	1	23x15x14	5	\$123
UPC-29-9565R6-1	Reducer, Fiberglass, 9.5" sq. x 6.5" sq	1	23x15x14	5	\$123
UPC-29-8565R6-1	Reducer, Fiberglass, 8.5" sq. x 6.5" sq	1	23x15x14	5	\$107

International

PART NO.	DESCRIPTION	QTY	CTN. DIMS (Inches)	SHIP WT. (Pounds)	List Price
1218					
U1218L-1EA3AX	FCU, 1-1.5T, 230V(UK), iSERIES COIL WITH CONTROL BOX	1	27x43x13	92	\$3,120
U1218L-1EC3CH	FCU, ECM, Chilled Water Coil, Hot Water Coil	1	27x43x13	103	\$3,026
U1218L-1EC3CX	FCU, ECM, Chilled Water Coil	1	27x43x13	91	\$2,655
U1218L-1EC3EH	FCU, 1-1.5T, 240V(UK), EC, WITH Hot Water Coil	1	27x43x13	103	\$3,175
U1218L-1EC3EX	FCU, 1-1.5T, 240V(UK), EC, H Coil	1	27x43x13	92	\$2,879
U1218L-1EC3XH	FCU, ECM, Hot Water Coil	1	27x43x13	83	\$2,291
U1218L-1EC3XX	FCU, ECM, Blower Only	1	27x43x13	94	\$2,004
A00404-G05	Control Panel, U1218 w/EC (EU) Control	1	10x10x11	2	\$576
2430					
M2430BL1-EA3	Blower Module, Argo, EC Motor, 230V, EU Style	1	29x16x20	62	\$2,105
M2430BL1-EC3	Blower Module, EC Motor, 240V	1	29x16x20	62	\$1,968
M2430BL1-OL3	MODULE, BLOWER, 2.5 TON, 1-50-230V (CE)	1	29x16x20	62	\$991
M2430BR1-EC3	Module, Blower, 2-2.5 Ton, EC, CE, 240V	1	29x16x20	62	\$1,957
3036					
M3036BL1-EC3	Module, Blower with S.M.A.R.T. Control Board and EC Motor, 220 - 230V	1	42x16x20	73	\$2,236
M3036BL1-OL3	Module, Blower with Single Relay Control Box, 220 - 230V	1	42x16x20	73	\$1,028
3642					
M3642BL1-EC3	Blower Module, EC Motor, 240V	1	42x16x20	73	\$2,125
M3642BL1-OL3	MODULE, BLOWER, 3-3.5 TON(CCC)	1	42x16x20	73	\$1,106
M3642BR1-EC3	Module, Blower, 3-3.5 Ton, EC	1	42x16x20	73	\$2,112
4860					
M4860BL1-EC3	Blower Module, EC Motor, 240V	1	42x16x20	73	\$2,293
M4860BL1-OL3	MODULE, BLOWER, 4-5 TON, W/-G03CB, CE	1	42x16x20	73	\$1,305
M4860BR1-EC3	Module, Blower, 4-5Ton, EC motor	1	42x16x20	73	\$2,318



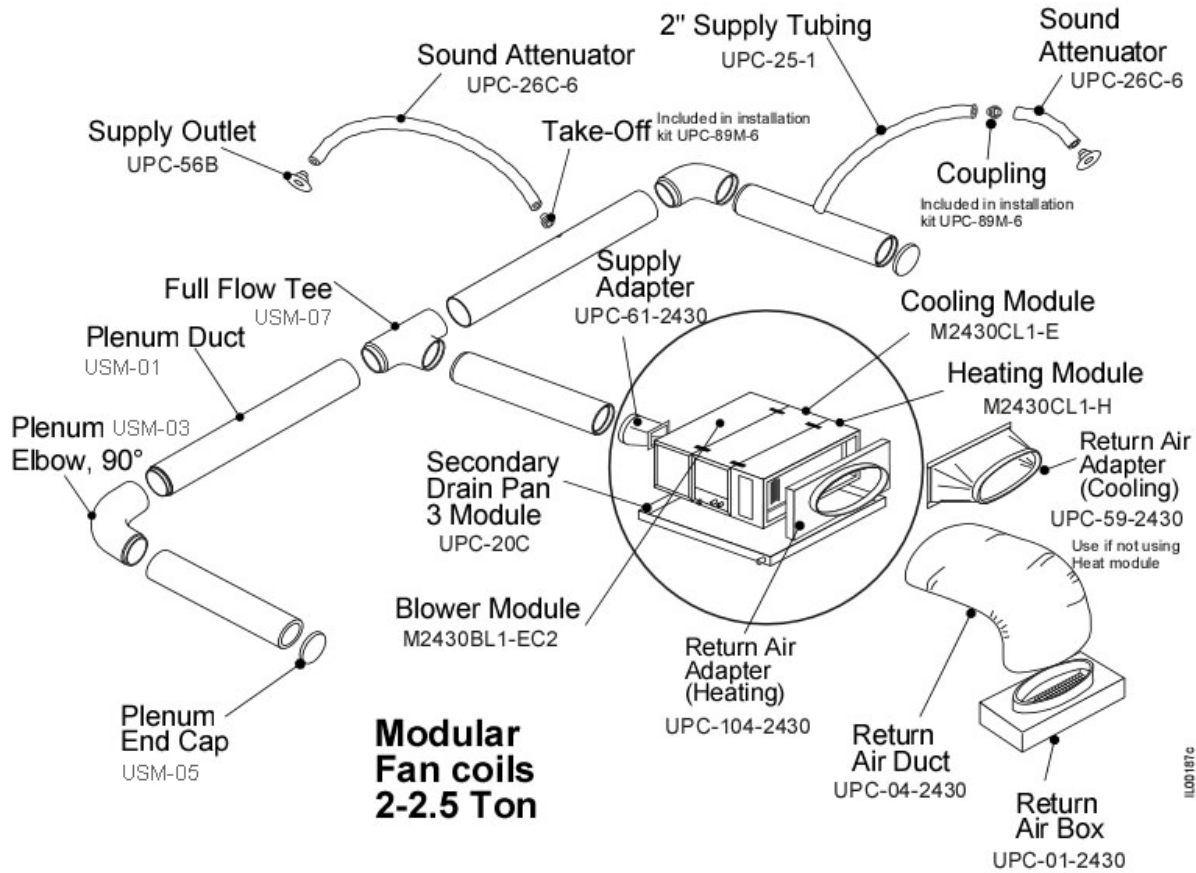
1 Ton Estimated Material List

Each material list assumes the minimum of six 12' runs per ton.

QTY	Part #	Description	List Price
1	U1218L-1EC2EH	1218 Fan Coil Unit, 230V, EC, H Coil, TXV, Hot Water Coil	\$3,024
1	UPC-61-1218	Adapter, Supply, M1218	\$42
1	UPC-94	Drain Pan, Secondary, M1218	\$111
1	UPC-104-1218	Adapter, Return Air, M1218	\$101
1	UPC-04-1218	Return Air Duct, 12" x 10'L	\$138
1	UPC-01-1218	Filter, Grille/Return Box, 14x20	\$200
1	UPC-89M-6	Install Kit, Metal Plenum 2"	\$258
1	UPC-26C-6	Sound Attenuator, 2"x12' (6PCS)(72 Ft Total)	\$323

1.5 Ton Estimated Material List

QTY	Part #	Description	List Price
1	U1218L-1EC2EH	1218 Fan Coil Unit, 230V, EC, H Coil, TXV, Hot Water Coil	\$3,024
1	UPC-61-1218	Adapter, Supply, M1218	\$42
1	UPC-94	Drain Pan, Secondary, M1218	\$111
1	UPC-104-1218	Adapter, Return Air, M1218	\$101
1	UPC-04-1218	Return Air Duct, 12" x 10'L	\$138
1	UPC-01-1218	Filter, Grille/Return Box, 14x20	\$200
1	UPC-89M-6	Install Kit, Metal Plenum 2"	\$258
3	UPC-80M-1	Outlet Kit, Single outlet kit with 12' section of Sound Attenuator	\$111
1	UPC-26C-6	Sound Attenuator, 2"x12' (6PCS)(72 Ft Total)	\$323



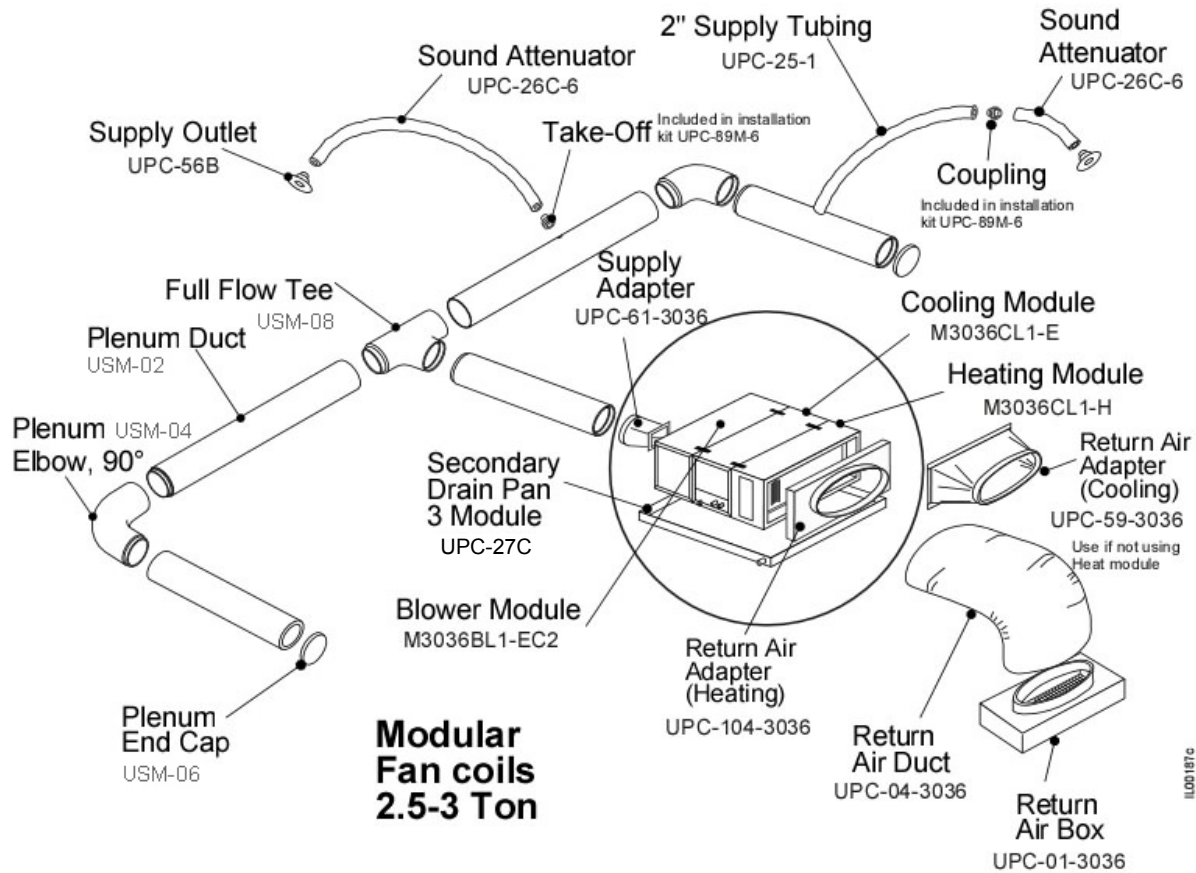
2 Ton Estimated Material List

Each material list assumes the minimum of six 12' runs per ton.

QTY	Part #	Description	List Price
1	M2430BL1-EC2	Blower Module, EC Motor, 230V	\$1,788
1	M2430CL1-E	Module, H-coil, R-410A TXV, 2.5T Refrigerant Coil (6 Row) (HP)	\$1,511
1	M2430CL1-H	Module, Coil, Hot water, 2.5T (was MH2430HW)	\$935
1	UPC-61-2430	Adapter, Supply, 2430	\$42
1	UPC-20C	Drain Pan, Secondary, 3 Module, 2430	\$123
1	UPC-104-2430	Adapter, Return Air, Heat or Vertical Module 2430	\$172
1	UPC-04-2430	Return Air Duct, 14" x 10"L	\$170
1	UPC-01-2430	Filter, Grille/Return Box, 14" x 25"	\$215
2	UPC-89M-6	Install Kit, Metal Plenum 2"	\$258
2	UPC-26C-6	Sound Attenuator, 2"x12' (6PCS)(72 Ft Total)	\$323

2.5 Ton Estimated Material List using 2430

QTY	Part #	Description	List Price
1	M2430BL1-EC2	Blower Module, EC Motor, 230V	\$1,788
1	M2430CL1-E	Module, H-coil, R-410A TXV, 2.5T Refrigerant Coil (6 Row) (HP)	\$1,511
1	M2430CL1-H	Module, Coil, Hot water, 2.5T (was MH2430HW)	\$935
1	UPC-61-2430	Adapter, Supply, 2430	\$42
1	UPC-20C	Drain Pan, Secondary, 3 Module, 2430	\$123
1	UPC-104-2430	Adapter, Return Air, Heat or Vertical Module 2430	\$172
1	UPC-04-2430	Return Air Duct, 14" x 10"L	\$170
1	UPC-01-2430	Filter, Grille/Return Box, 14" x 25"	\$215
2	UPC-89M-6	Install Kit, Metal Plenum 2"	\$258
3	UPC-80M-1	Outlet Kit, Single outlet kit with 12' section of Sound Attenuator	\$111
2	UPC-26C-6	Sound Attenuator, 2"x12' (6PCS)(72 Ft Total)	\$323



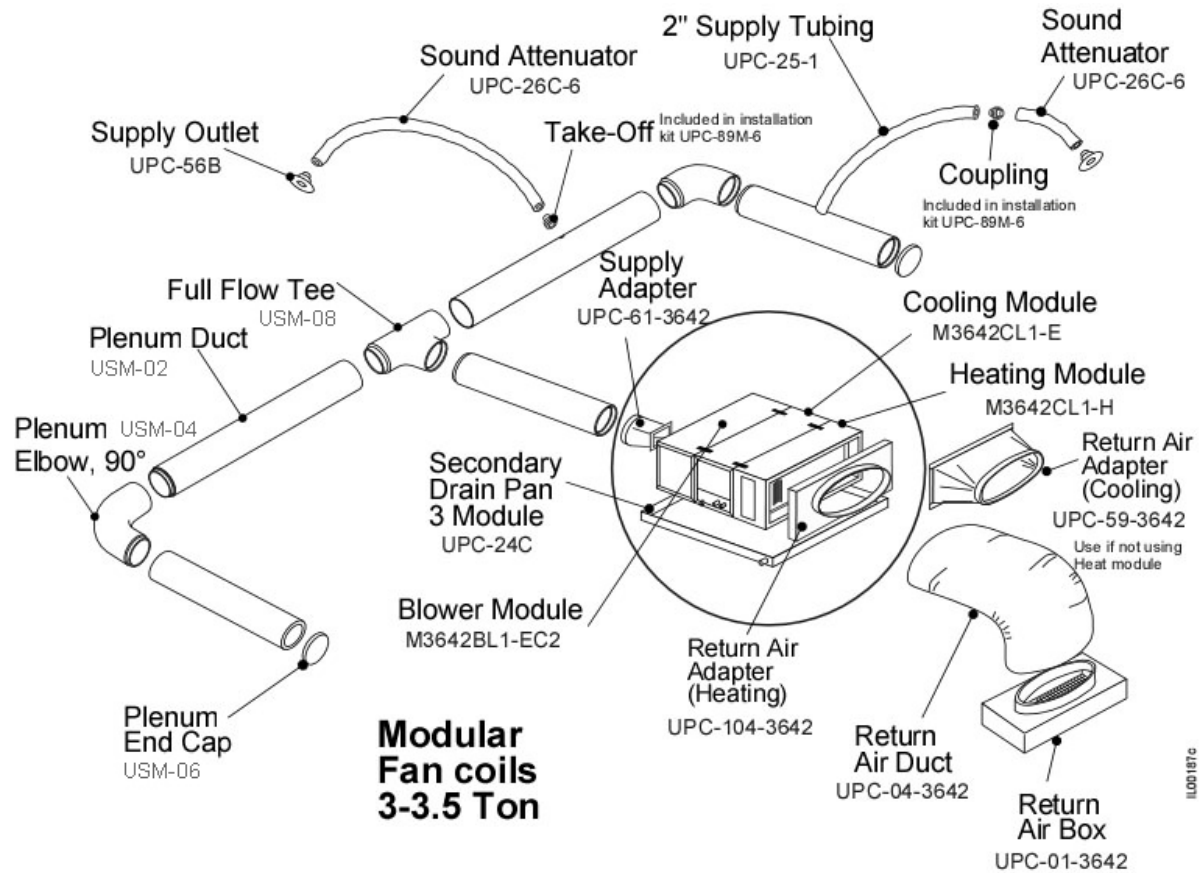
2.5 Ton Estimated Material List using 3036

Each material list assumes the minimum of six 12' runs per ton.

QTY	Part #	Description	List Price
1	M3036BL1-EC2	Blower Module, EC Motor, 230V	\$1,945
1	M3036CL1-E	Module, Refrigerant Coil (6 Row) (HP)	\$1,800
1	M3036CL1-H	Module, Coil, Hot water, 2.5-3.0T	\$1,170
1	UPC-61-3036	Adapter, Supply, 3036	\$45
1	UPC-27C	Drain Pan, Secondary, 3 Module, 3036	\$138
1	UPC-104-3036	Adapter, Return Air, Heat or Vertical Module 3036	\$196
1	UPC-04-3036	Return Air Duct, 16" x 10'L	\$243
1	UPC-01-3036	Filter, Grille/Return Box, 14" x 30"	\$248
2	UPC-89M-6	Install Kit, Metal Plenum 2"	\$258
3	UPC-80M-1	Outlet Kit, Single outlet kit with 12' section of Sound Attenuator	\$111
2	UPC-26C-6	Sound Attenuator, 2"x12' (6PCS)(72 Ft Total)	\$323

3 Ton Estimated Material List using 3036

QTY	Part #	Description	List Price
1	M3036BL1-EC2	Blower Module, EC Motor, 230V	\$1,945
1	M3036CL1-E	Module, Refrigerant Coil (6 Row) (HP)	\$1,800
1	M3036CL1-H	Module, Coil, Hot water, 2.5-3.0T	\$1,170
1	UPC-61-3036	Adapter, Supply, 3036	\$45
1	UPC-27C	Drain Pan, Secondary, 3 Module, 3036	\$138
1	UPC-104-3036	Adapter, Return Air, Heat or Vertical Module 3036	\$196
1	UPC-04-3036	Return Air Duct, 16" x 10'L	\$243
1	UPC-01-3036	Filter, Grille/Return Box, 14" x 30"	\$248
3	UPC-89M-6	Install Kit, Metal Plenum 2"	\$258
3	UPC-26C-6	Sound Attenuator, 2"x12' (6PCS)(72 Ft Total)	\$323



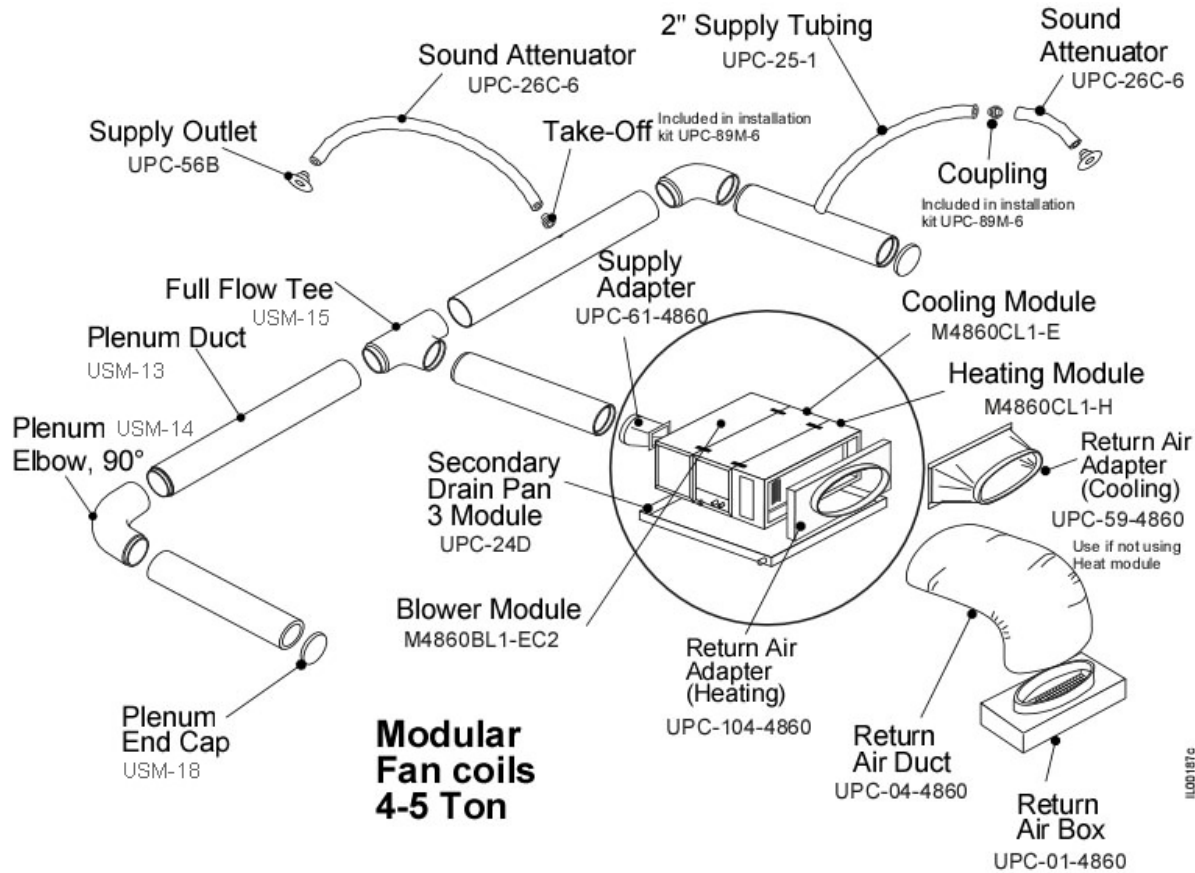
3 Ton Estimated Material List using 3642

Each material list assumes the minimum of six 12' runs per ton.

QTY	Part #	Description	List Price
1	M3642BL1-EC2	Blower Module, EC Motor, 230V	\$2,014
1	M3642CL1-E	Module, Refrigerant Coil (6 Row) (HP)	\$1,873
1	M3642CL1-H	(Same As MH3660HW) Module, Heating (w/ Hot Water Coil)	\$1,298
1	UPC-61-3642	Adapter, Supply, 3642	\$45
1	UPC-24C	Drain Pan, Secondary, 3 Module, 3642	\$145
1	UPC-104-3642	Adapter, Return Air, Heat or Vertical Module 3642	\$210
1	UPC-04-3642	Return Air Duct, 18" x 10'L	\$243
1	UPC-01-3642	Filter, Grille/Return Box, 14" x 30"	\$248
3	UPC-89M-6	Install Kit, Metal Plenum 2"	\$258
3	UPC-26C-6	Sound Attenuator, 2"x12' (6PCS)(72 Ft Total)	\$323

3.5 Ton Estimated Material List

QTY	Part #	Description	List Price
1	M3642BL1-EC2	Blower Module, EC Motor, 230V	\$2,014
1	M3642CL1-E	Module, Refrigerant Coil (6 Row) (HP)	\$1,873
1	M3642CL1-H	(Same As MH3660HW) Module, HEATING (w/ Hot Water Coil)	\$1,298
1	UPC-61-3642	Adapter, Supply, 3642	\$45
1	UPC-24C	Drain Pan, Secondary, 3 Module, 3642	\$145
1	UPC-104-3642	Adapter, Return Air, Heat or Vertical Module 3642	\$210
1	UPC-04-3642	Return Air Duct, 18" x 10'L	\$243
1	UPC-01-3642	Filter, Grille/Return Box, 14" x 30"	\$248
3	UPC-89M-6	Install Kit, Metal Plenum 2"	\$258
3	UPC-80M-1	Outlet Kit, Single outlet kit with 12' section of Sound Attenuator	\$111
3	UPC-26C-6	Sound Attenuator, 2"x12' (6PCS)(72 Ft Total)	\$323



4 Ton Estimated Material List

Each material list assumes the minimum of six 12' runs per ton.

QTY	Part #	Description	List Price
1	M4860BL1-EC2	Blower Module, EC Motor, 230V	\$2,129
1	M4860CL1-E	Module, Refrigerant Coil (6 Row) (HP)	\$2,412
1	M4860CL1-H	(Same as MH3660HW) Module, Heating (w/ Hot Water Coil)	\$1,298
1	UPC-61-4860	Adapter, Supply, 4860	\$49
1	UPC-24D	Drain Pan, Secondary, 3 Module, 4860	\$161
1	UPC-104-4860	Adapter, Return Air, Heat or Vertical Module 4860	\$210
1	UPC-04-4860	Return Air Duct, 20" x 10'L	\$253
1	UPC-01-4860	Filter, Grille/Return Box, 24" x 30"	\$352
4	UPC-89M-6	Install Kit, Metal Plenum 2"	\$258
4	UPC-26C-6	Sound Attenuator, 2"x12' (6PCS)(72 Ft Total)	\$323

5 Ton Estimated Material List

QTY	Part #	Description	List Price
1	M4860BL1-EC2	Blower Module, EC Motor, 230V	\$2,129
1	M4860CL1-E	Module, Refrigerant Coil (6 Row) (HP)	\$2,412
1	M4860CL1-H	(Same as MH3660HW) Module, Heating (w/ Hot Water Coil)	\$1,298
1	UPC-61-4860	Adapter, Supply, 4860	\$49
1	UPC-24D	Drain Pan, Secondary, 3 Module, 4860	\$161
1	UPC-104-4860	Adapter, Return Air, Heat or Vertical Module 4860	\$210
1	UPC-04-4860	Return Air Duct, 20" x 10'L	\$253
1	UPC-01-4860	Filter, Grille/Return Box, 24" x 30"	\$352
5	UPC-89M-6	Install Kit, Metal Plenum 2"	\$258
5	UPC-26C-6	Sound Attenuator, 2"x12' (6PCS)(72 Ft Total)	\$323

— NOTES —

— NOTES —

— NOTES —

OTHER HVAC COMPANIES REALLY DON'T WANT YOU TO CUT OUT THIS OUTLET.

That's because when you place it on your floor, ceiling, or wall, you will begin to understand the simplicity of adding Unico System air conditioning to your home. In addition to outlets that are barely noticeable, the Unico System's air handlers and flexible supply tubing fit simply above ceilings and below floors, which means no ugly soffits, no noisy registers, and virtually no need for remodeling in homes without ductwork. You will enjoy the efficient, comfortable surroundings found only with the industry-leading Unico System.

To find a Unico System installing contractor in your area, visit unicosystem.com/contractor or call (800) 527-0896



iSERIES

The Unico System®

Unico, Inc.
1120 Intagliata Drive
Arnold, MO 63010
+1 800 527 0896 • +1 314 481 9000
www.unicosystem.com



Unico, Inc. manufacturing plant and sub-assembly plant

Unico, Inc. is the leader in Small Duct High Velocity (SDHV) heating and cooling systems and other high-end HVAC systems. The company manufactures all of its products in St. Louis MO, with over 200,000 square feet of modern manufacturing plants. The company is well known for extensive use in older, architecturally unique homes and buildings as well as elite, high end custom homes. The company is family owned and operated and sells in all 50 United States, all provinces of Canada, and in over 28 countries around the world.



National Trust for
Historic Preservation
Save the past. Enrich the future.™

